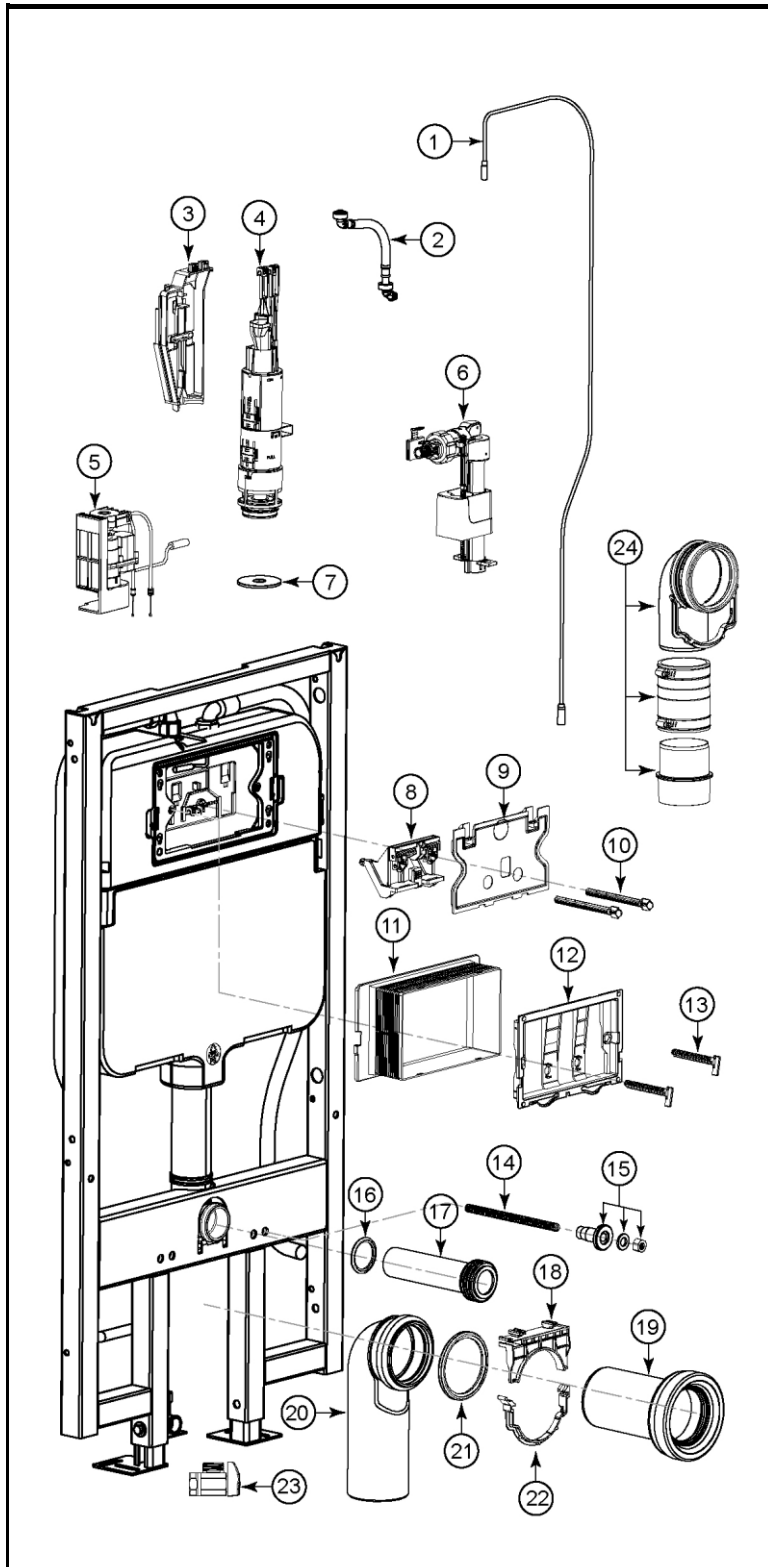


WT174M
CWT994CEMFG
CWT996CEMFG

Neorest® In Wall Tank System
For 2x6 & 2x4 Wall Stud Installation
1.28 Gpf/4.8 Lpf & 0.9 Gpf/3.4Lpf
Adjustable Height 16-1/2" - 19"



Item	Part	Description
1	THU650-A	Power Cable for Auto Flush
2	THU479-A	Flexible Hose
3	THU549	Hold-Down Bracket
4	THU495-A	Drain Valve
5	THU478-A	Auto Flush Unit
6	TSU46A	Fill Valve
7	THU482	Seal Gasket (1 piece)
8	THU480-A	Actuator
9	THU481-A	Splash Guard
10	THU608	Push Rod (2 pieces)
11	THU509-A	Push Plate Rough In
12	THU656-A	Panel Receiver for Push Plate
13	THU607	Locking Tab (2 pieces)
14	THU658-A	Threaded Rod (2 pieces)
15	THU649-A	Toilet Mounting set (2 set)
16	THU606	Gasket for Elbow Inlet Pipe (5 pieces)
17	THU489-A	Toilet Inlet Pipe
18	THU548	Upper Bracket
19	THU484-A	Toilet Flange Pipe
20	THU490-A	Elbow Outlet Pipe
21	THU561	Gasket for Elbow Outlet Pipe (5 pieces)
22	THU560	Lower Bracket
23	THU646-A	Shut-off Valve
24	THU343	2x4 Outlet Drain Kit

Note:

Product Number Explanations

In Wall Tank

(CWT) Bowl, Tank, Top Unit & Face Plate & Combination
(WT) In Wall Tank
(174) Model w/ Copper Supply Line
(M) Dual-Max®
(E) E-Max
(T) Tornado

Actual Product may vary slightly from illustration.