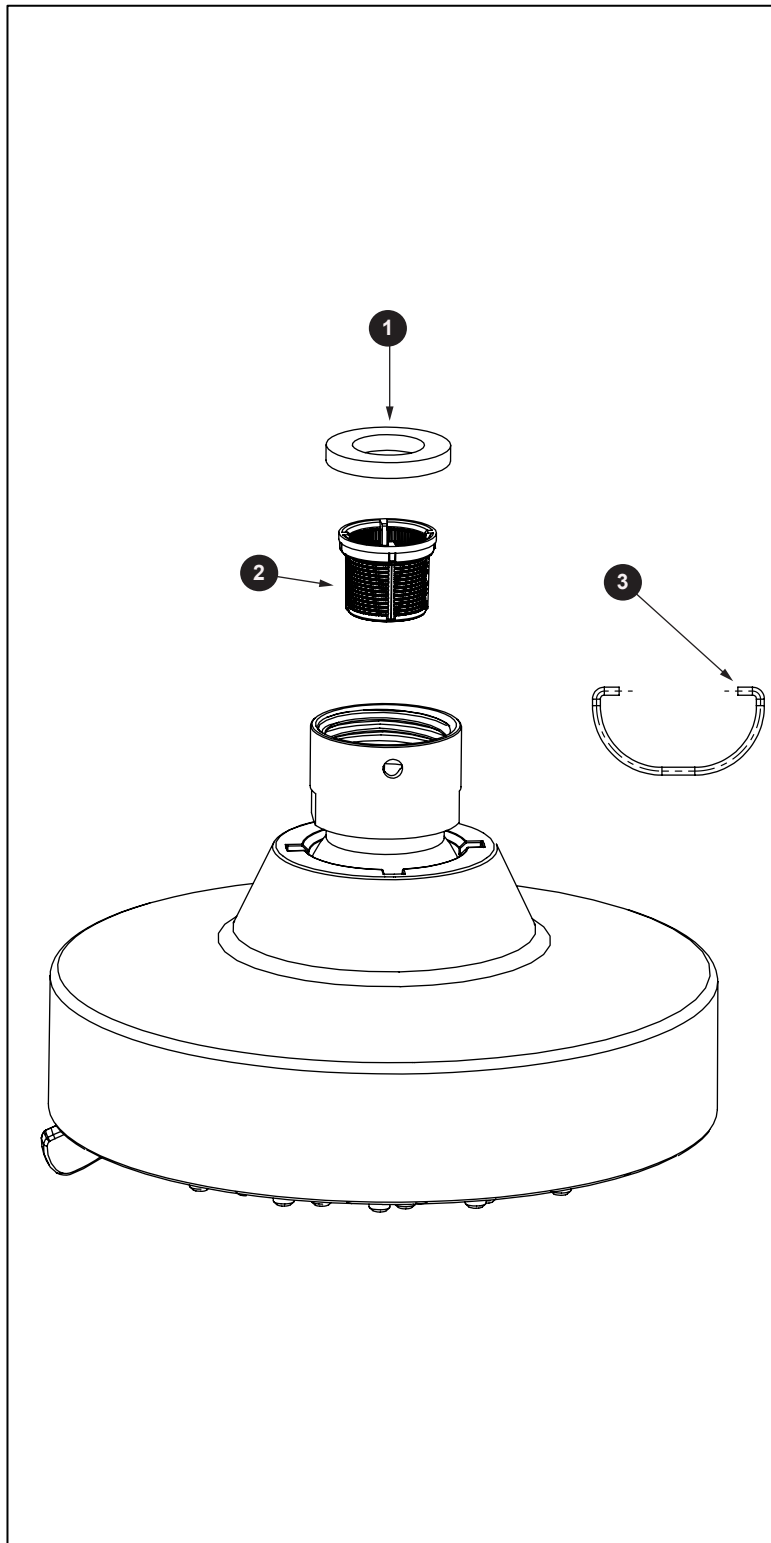


**Modern
5-Mode Showerhead**



Item	Part	Description
1	THP5300	Gasket
2	THP5301	Filter Screen
3	THP5304	Clamp Ring