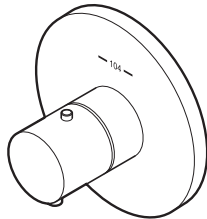
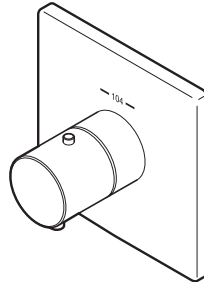


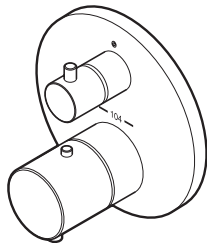
Thermostatic mixing valve and trim
Válvula termostática de mezcla y borde
Soupape et robinetterie de mélangeur thermostatique
Válvula de mistura termostática e acabamento



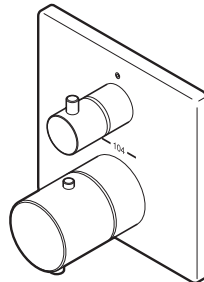
TBV01406



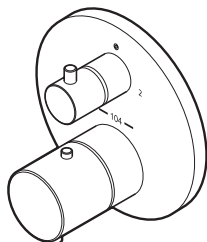
TBV02401



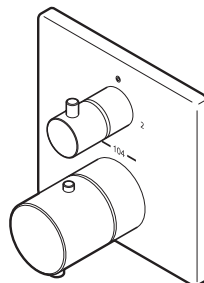
TBV01407



TBV02403



TBV01408



TBV02404

Warranty Registration and Inquiry

For product warranty registration, TOTO U.S.A. Inc. recommends online warranty registration. Please visit our web site <http://www.totousa.com>. If you have questions regarding warranty policy or coverage, please contact TOTO U.S.A. Inc., Customer Service Department, 1155 Southern Road, Morrow, GA 30260 (888) 295-8134 or (678) 466-1300 when calling from outside of U.S.A.

TABLE OF CONTENTS

Thank you for Choosing TOTO!.....	2	Included parts.....	3
Care And Cleaning.....	2	Installation Procedure.....	4
Warnings.....	2	Warranty.....	8
Before Installation.....	2	Rough-in dimensions.....	30
Tools you will need.....	3		

THANK YOU FOR CHOOSING TOTO!

The mission of TOTO is to provide the world with healthy, hygienic and more comfortable lifestyles. We design every product with the balance of form and function as a guiding principle. Congratulations on your choice.

CARE AND CLEANING

Your new shower is designed for years of trouble-free performance. Keep it looking new by cleaning it periodically with mild soap, rinsing thoroughly with warm water and drying with a clean, soft cloth. Do not use abrasive cleaners, steel wool or harsh chemicals, as these will dull the finish. Failure to follow these instructions may void your warranty.

WARNINGS

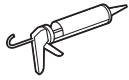
For safe operation of the shower, please observe the following:

- Operating Pressure:
 - Minimum Pressure.....20 psi (138 kPa), dynamic
 - Maximum Pressure.....80 psi (551 kPa), static
- If you are soldering during installation, do not apply excessive heat to the valve body. Excessive heat may damage the internal seals and plastic components.
- Please do not use this valve if there is a large difference in the pressure between the hot and cold water supplies.
- Hot water supply temperature should not exceed 140°F (60°C).
- Do not use this product at an ambient temperature below 32°F (0°C).
- Do not reverse the hot and cold water inlets.
- Insulate the hot water supply pipe to minimize heat loss.
- Do not use steam for the hot water supply.
- Do not disassemble the thermostatic cartridge.

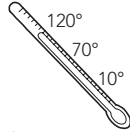
BEFORE INSTALLATION

- Observe all local plumbing codes.
- Before installing the shower, be sure to thoroughly flush the supply pipes of dirt and debris.
- Make sure the water supply is shut off at the stop valve.
- Read these instructions carefully to ensure proper installation.
- TOTO reserves the right to update product design without notice.

TOOLS YOU WILL NEED



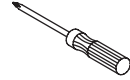
Silicon caulk



Thermometer



Hacksaw

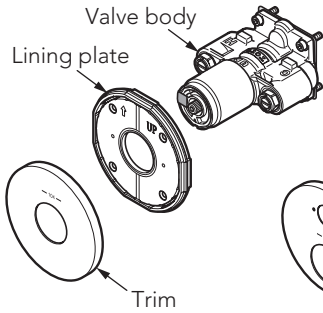


Screwdriver

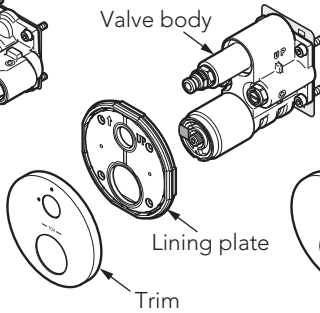
INCLUDED PARTS

■ Check to make sure you have the following parts indicated below:

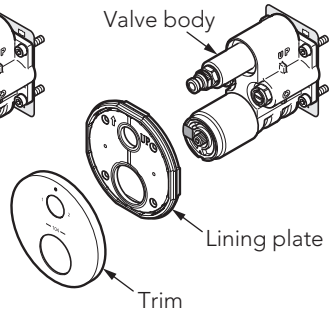
TBV01406



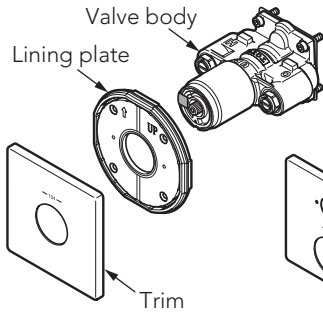
TBV01407



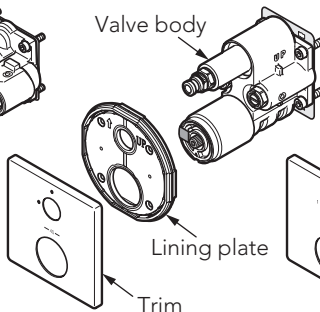
TBV01408



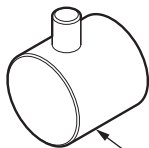
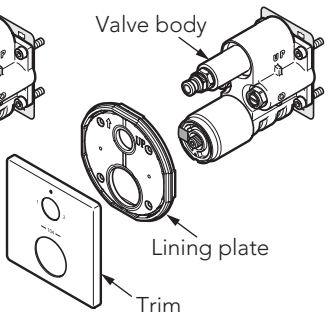
TBV02401



TBV02403



TBV02404



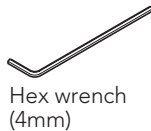
Diverter handle



Screw



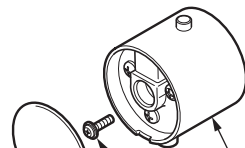
Set screw



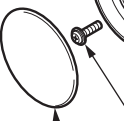
Hex wrench
(4mm)



(2.5mm)



Temperature
control handle



Handle cap

Small screw

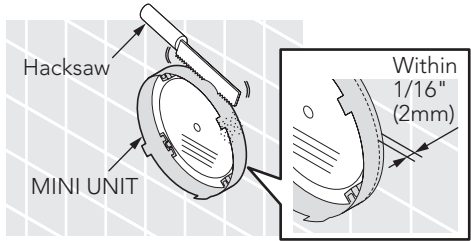
(not included for TBV01406, TBV02401)

INSTALLATION PROCEDURE

ENGLISH

I. Preparing the installation area

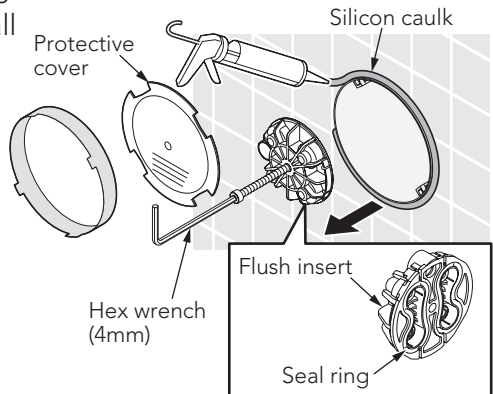
1. Use hacksaw to remove excess portion of outer plaster guard that extends from the wall surface. The space between the convex edge of the outer plaster guard and the wall surface needs to be within $1/16"$ (2mm).



WARNING:

- Keep a neat edge and make sure no edges are recessed into the wall surface when removing the outer plaster guard for the valve.
- When cutting, the plaster guard may get scratched, this does not adversely affect the product.

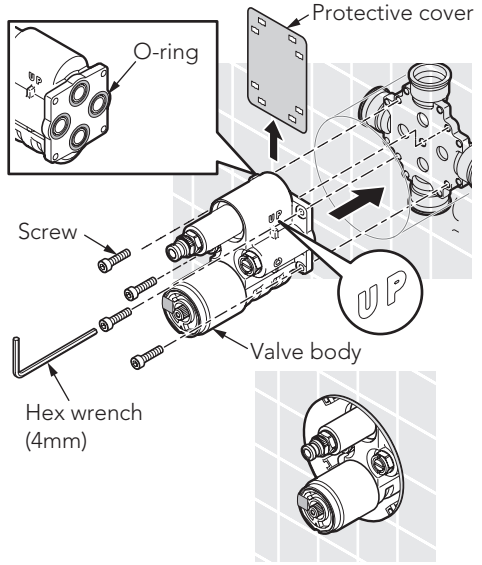
2. Apply silicon caulk uniformly and cover the gap between the outer plaster guard and the wall surface. Make sure adhesive is applied evenly and not convex to the wall surface.
3. Remove the protective cover and use a hex wrench (4mm-included) to remove the flush insert.



INSTALLATION PROCEDURE

II. Installation: Valve

1. Remove protective cover from valve body.
2. Make sure O-Rings do not fall off.
3. Verify "UP" label is facing/reads correctly. Use hex wrench (4mm-included) to fasten the valve with provided screws.



WARNING:

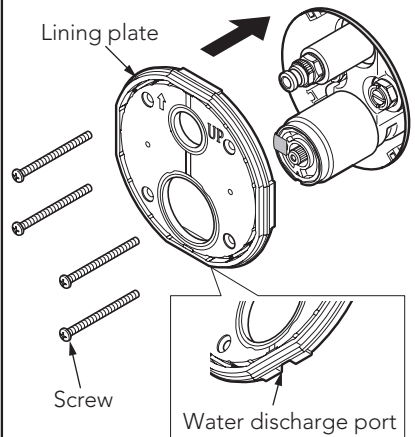
- Be careful when removing protective cover. Make sure no O-rings or screws get lost.
- Make sure valve is facing the correct direction during installation.

III. Installation : Trim

1. Position and insert lining plate according to the "UP" label on product.
2. Use a screwdriver to manually fasten the screws on the lining plate.

WARNING:

- Before installing lining plate, perform a pressure test and verify that both (HOT and COLD) water valves are completely open.
- Pay attention to the direction of the lining plate when installing. The water discharge port is located at the BOTTOM of the plate.
- DO NOT apply sealant to lining plate as this may block water discharge port. Lining plate includes a foam sealing strip.
- When fastening the screws on the lining plate, make sure to compress firmly. There should be no gap between the lining plate and the wall surface.
- DO NOT use an electric wrench to fasten screws, these should be tightened manually.

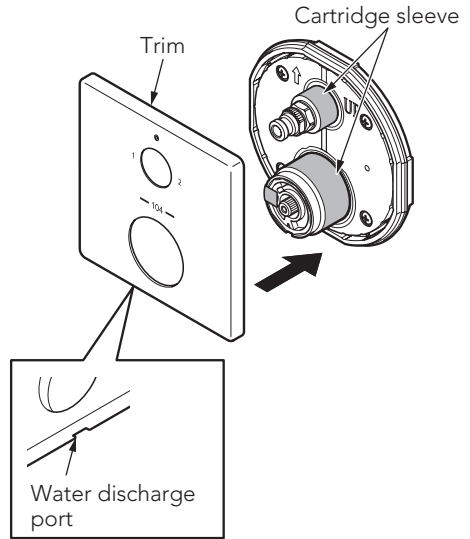
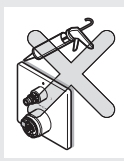


INSTALLATION PROCEDURE

- Align and insert the trim through the cartridge sleeve cover and over the lining plate. Make sure the water discharge port is facing downward.
- Keep the trim within $1/16"$ (1mm) of wall surface.

WARNING:

- DO NOT scratch the cartridge sleeve when installing the trim.
- DO NOT apply waterproof caulk around the trim as this may interfere with the water discharge port located underneath the trim.



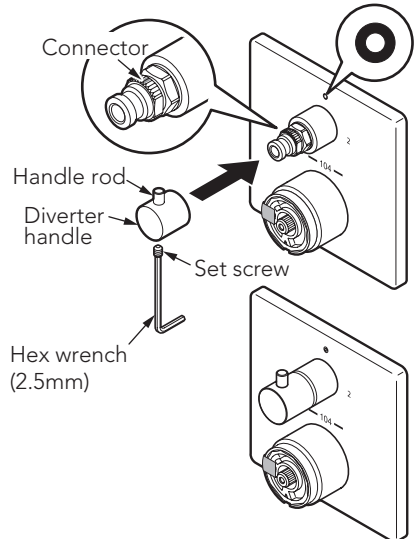
IV. Installation: Handles

a. Diverter Handle

- Insert diverter handle into connector facing upwards. Use hex wrench (2.5mm) to fasten screws. Secure the handle.

WARNING:

- Diverter handle should be installed in the position indicated on the trim.
- Cartridge is in a closed condition from factory.



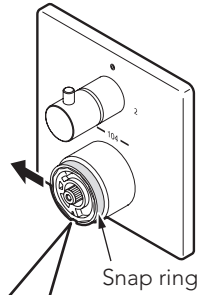
INSTALLATION PROCEDURE

b. Installation: Temperature-control handle

1. Verify that snap-ring is still attached and that the opening on it is facing down.
2. Install handle onto cartridge and verify that safety button and "104" mark on panel are centered.
3. Fasten screws with screwdriver.
4. Place handle cap on.

WARNING:

- Factory setting for water temperature handle is set at 104°F(40°C).
- Snap ring press fits within the nut groove.
- Snap ring opening faces downward.

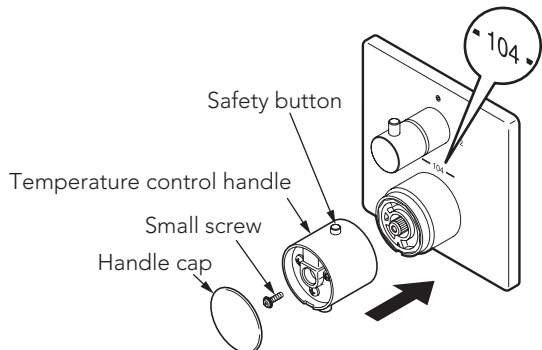
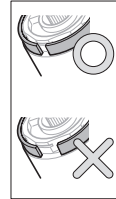


Thermostat cartridge



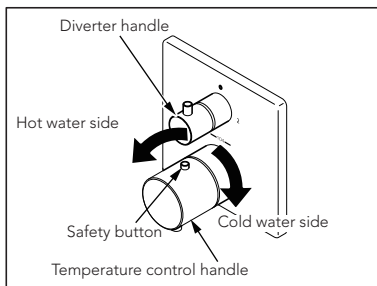
The opening faces downward

Snap ring stabilizes the functionality of the temperature control handle, minimizing unnecessary vibrations.



Adjusting the Temperature

To decrease the temperature, turn the temperature control handle clockwise. To increase the temperature, turn the temperature control handle counter-clockwise.

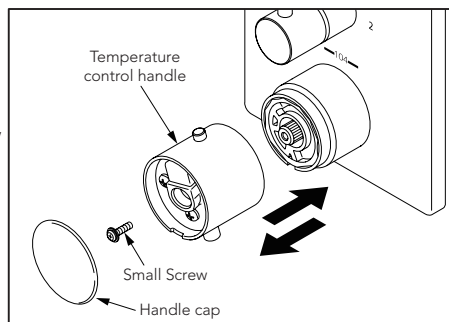


A safety button is provided to prevent hot water from spraying out due to misuse. If the desired water temperature is above 104°F(40°C), please turn the handle while pressing down on the safety button.

Adjusting the Maximum Outlet Temperature

Align the safety button on the temperature control handle with "104" on the trim surface.

Turn the water on and confirm if the outlet temperature is 104°F(40°C).



If not, please adjust the water outlet temperature by following the steps below:

1. To decrease temperature:
Remove handle cap. Remove screw and pull handle slowly. Turn handle counter-clockwise one notch and reinstall onto cartridge.

To increase temperature:
Remove handle cap. Remove screw and pull handle slowly. Turn handle clockwise one notch and reinstall onto cartridge.

2. Secure handle with screw and install handle cap.

3. Check water temperature.

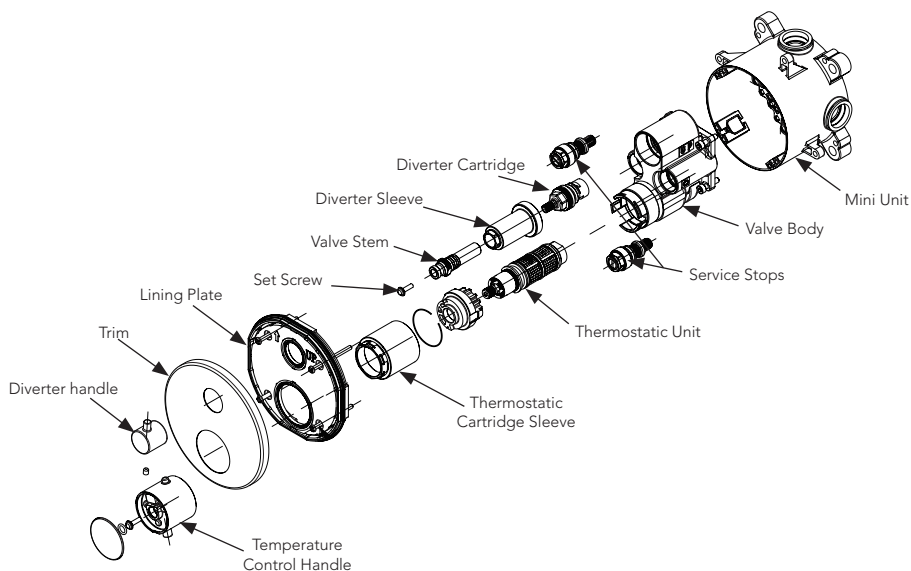
** Repeat steps 1-3 if necessary.

Cleaning the Valves

- Accessing the valve body
 1. Remove the temperature control handle and diverter handle.
 2. Remove the trim and lining plate.
- To clean filters on service stops
 1. Shut off the main Hot and Cold water supply.
 2. Remove service stop unit.
 3. Rinse the filter on the service stop in water to remove any debris.
- To clean the thermostatic unit and diverter cartridge.
 1. Shut off the Hot and Cold water supply at the service stops.
 2. Remove the thermostatic cartridge sleeve with an adjustable wrench. To remove the thermostatic unit, insert the flat-head screwdriver into the slot on the valve body and gently pry it loose.
 3. Remove the set screw, valve stem, and diverter sleeve. Remove the diverter cartridge with a 17mm socket wrench.
 4. After removing the thermostatic unit and diverter cartridge, clean it by using water and a toothbrush or a similarly soft-bristled brush on the filter screens of the unit.

IMPORTANT!

DO NOT use a wire or steel brush as this may damage the unit.



WARRANTY

1. TOTO warrants its electronic flush valves, faucets and soap dispensers ("Product") to be free from defects in materials and workmanship during normal use when properly installed and serviced, for a period of three (3) years from date of purchase. This limited warranty is extended only to the ORIGINAL PURCHASER of the Product and is not transferable to any third party, including but not limited to any subsequent purchaser or owner of the Product.

This warranty applies only to TOTO Product purchased and installed in North, Central and South America.

2. TOTO's obligations under this warranty are limited to repair, replacement or other appropriate adjustment, at TOTO's option, of the Product or parts found to be defective in normal use, provided that such Product was properly installed, used and serviced in accordance with instructions. TOTO reserves the right to make such inspections as may be necessary in order to determine the cause of the defect. TOTO will not charge for labor or parts in connection with warranty repairs or replacements. TOTO is not responsible for the cost of removal, return and/or reinstallation of the Product.

3. This warranty does not apply to the following items:

- a. Damage or loss sustained in a natural calamity such as fire, earthquake, flood, thunder, electrical storm, etc.
- b. Damage or loss resulting from any accident, unreasonable use, misuse, abuse, negligence, or improper care, cleaning, or maintenance of the Product.
- c. Damage or loss resulting from sediments or foreign matter contained in a liquid soap system.
- d. Damage or loss resulting from improper installation or from installation of the Product in a harsh and/or hazardous environment, or improper removal, repair or modification of the Product.
- e. Damage or loss resulting from electrical surges or lightning strikes or other acts which are not the fault of TOTO or which the Product is not specified to tolerate.
- f. Damage or loss resulting from normal and customary wear and tear, such as gloss reduction, scratching or fading over time due to use, cleaning practices or water or atmospheric conditions, including but not limited to, the use of bleach, alkali, acid cleaners, dry (powder) cleaners or any other abrasive cleaners or the use of metal or nylon scrubbers.

4. In order for this limited warranty to be valid, proof of purchase is required. TOTO encourages warranty registration upon purchase to create a record of Product ownership at <http://www.totousa.com> is required. TOTO encourages registration upon purchase and failure to register will not diminish your limited warranty rights.

5. THIS WARRANTY GIVES YOU SPECIFIC LEGAL RIGHTS. YOU MAY HAVE OTHER RIGHTS WHICH VARY FROM STATE TO STATE, PROVINCE TO PROVINCE OR COUNTRY TO COUNTRY.

6. To obtain warranty repair service under this warranty, you must take the Product or deliver it prepaid to a TOTO service facility together with proof of purchase (original sales receipt) and a letter stating the problem, or contact a TOTO distributor or products service contractor, or write directly to TOTO U.S.A., INC., 1155 Southern Road, Morrow, GA 30260 (888) 295 8134 or (678) 466-1300, if outside the U.S.A. If, because of the size of the Product or nature of the defect, the Product cannot be returned to TOTO, receipt by TOTO of written notice of the defect together with proof of purchase (original sales receipt) shall constitute delivery. In such case, TOTO may choose to repair the Product at the purchaser's location or pay to transport the Product to a service facility.

THIS WRITTEN WARRANTY IS THE ONLY WARRANTY MADE BY TOTO. REPAIR, REPLACEMENT OR OTHER APPROPRIATE ADJUSTMENT AS PROVIDED UNDER THIS WARRANTY SHALL BE THE EXCLUSIVE REMEDY AVAILABLE TO THE ORIGINAL PURCHASER. TOTO SHALL NOT BE RESPONSIBLE FOR LOSS OF THE PRODUCT OR FOR OTHER INCIDENTAL, SPECIAL OR CONSEQUENTIAL DAMAGES OR EXPENSES INCURRED BY THE ORIGINAL PURCHASER, OR FOR LABOR OR OTHER COSTS DUE TO INSTALLATION OR REMOVAL, OR COSTS OF REPAIRS BY OTHERS, OR FOR ANY OTHER EXPENSE NOT SPECIFICALLY STATED ABOVE. IN NO EVENT WILL TOTO'S RESPONSIBILITY EXCEED THE PURCHASE PRICE OF THE PRODUCT. EXCEPT TO THE EXTENT PROHIBITED BY APPLICABLE LAW, ANY IMPLIED WARRANTIES, INCLUDING THAT OF MERCHANTABILITY OR FITNESS FOR USE OR FOR A PARTICULAR PURPOSE, ARE EXPRESSLY DISCLAIMED. SOME STATES DO NOT ALLOW LIMITATIONS ON HOW LONG AN IMPLIED WARRANTY LASTS, OR THE EXCLUSION OR LIMITATION OF INCIDENTAL OR CONSEQUENTIAL DAMAGES, SO THE ABOVE LIMITATION AND EXCLUSION MAY NOT APPLY TO YOU.