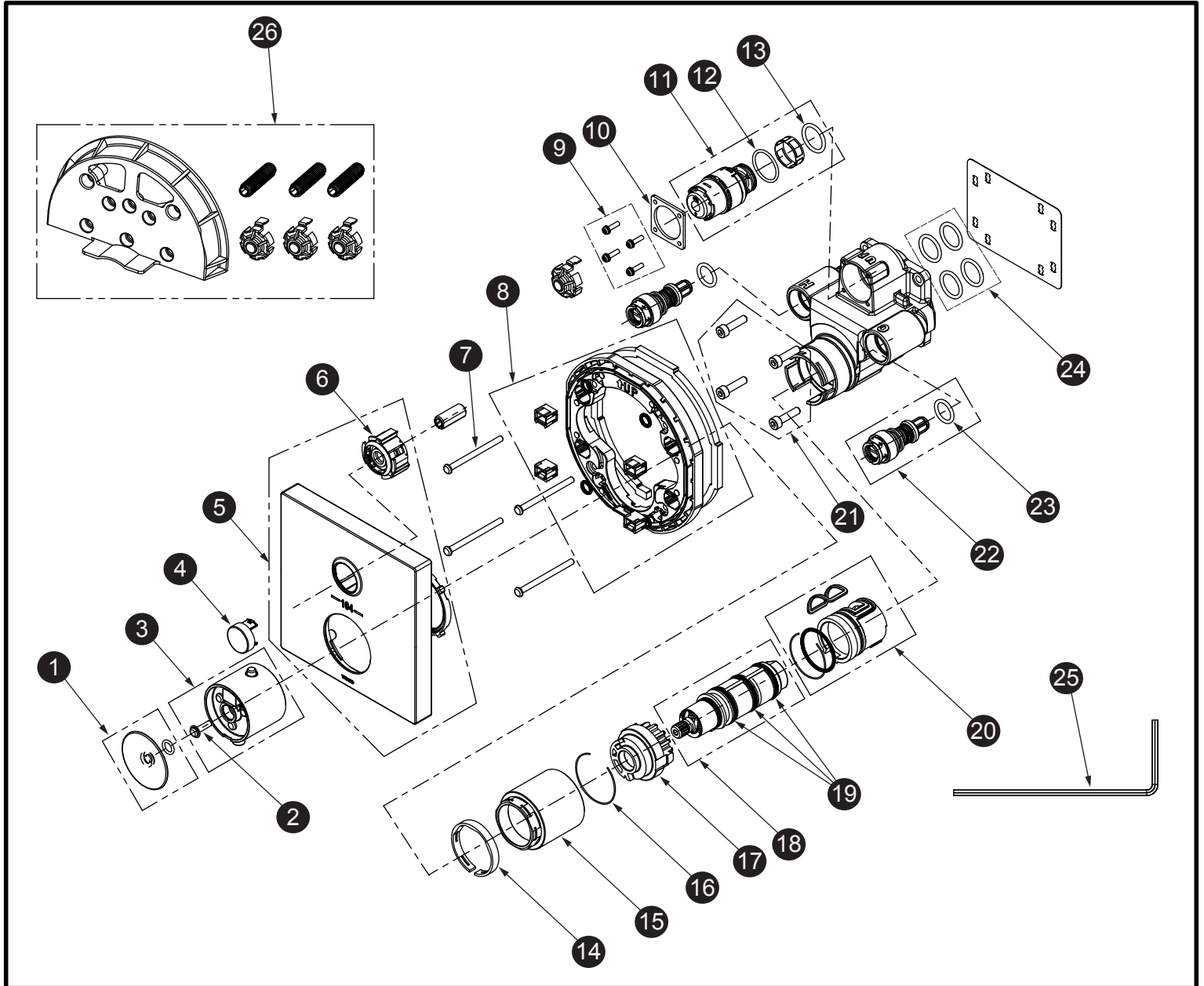


**Thermostatic w/ 1-Way Shutoff  
Push Button Valve**



Item	Part	Description	Item	Part	Description
1*	THP5215#\$\$	Handle Cap	14	THP5221	Snap Ring
2	THP5216	Screw	15*	THP5222#\$\$	Cartridge Sleeve
3*	THP5217#\$\$	Temp. Control Handle	16	THP5223	Snap Ring
4*	THP5267#\$\$	Push Button	17	THP5224	Temperature Limiter
5*	THP5283#\$\$	Trim	18	THP5276	Thermostat Cartridge
6	THP5268	Push Button Base	19	THP4616	O-Ring
7	THP5269	Screw (4 pcs/pkg)	20	THP5227	Inner Sleeve
8	THP5270	Lining Plate	21	THP5230	Hex Screw (4 pcs/pkg)
9	THP5271	Screw (4 pcs/pkg)	22	THP5228	Service Stop
10	THP5272	Fixing Plate	23	THP5229	O-Ring
11	THP5273	Diverter Cartridge	24	THP5231	O-Ring (4 pcs/pkg)
12	THP4756	O-Ring	25	THP5232	Hex Wrench
13	THP4736	O-Ring	26	THP5277	Fixing Cover set

\* Please specify finish when ordering

LEGEND	
\$\$	= Denotes Finish
#CP	= Polished Chrome
#BN	= Brushed Nickel
#PN	= Polished Nickel