

**PRODUCT SPECIFICATIONS**

Elkay Lustertone Iconix™ Stainless Steel 23-1/2" x 18-1/4" x 9", Single Bowl Undermount Sink with Perfect Drain. Sink is manufactured from 16 gauge 304 Stainless Steel with a Luminous Satin finish, Rear Center drain placement, and Sides and Bottom pads.

|                              |                                     |
|------------------------------|-------------------------------------|
| <b>Installation Type:</b>    | Undermount                          |
| <b>Material:</b>             | 304 Stainless Steel                 |
| <b>Special Features:</b>     | Perfect Drain                       |
| <b>Finish:</b>               | Luminous Satin                      |
| <b>Gauge:</b>                | 16                                  |
| <b>Sound Deadening:</b>      | Sides and Bottom pads               |
| <b>Number of Bowls:</b>      | 1                                   |
| <b>Sink Dimensions:</b>      | 23-1/2" x 18-1/4" x 9"              |
| <b>Bowl 1 Dimensions:</b>    | 15-3/4" x 21" x 9"                  |
| <b>Drain Size:</b>           | 3-3/8" (86mm)                       |
| <b>Drain Location:</b>       | Rear Center                         |
| <b>Minimum Cabinet Size:</b> | 27"                                 |
| <b>Mounting Hardware:</b>    | Undermount brackets sold separately |
| <b>Template Included:</b>    | Yes                                 |
| <b>Cutout Template #:</b>    | <a href="#">1000004461</a>          |

Template is available for download at [elkay.com](#)

**Perfect Drain:** Seamlessly welded stainless steel collar eliminates the gap between a traditional drain and the sink for a sanitary and gap free installation. An InSinkErator® garbage disposer can be installed on either sink bowl for user convenience.

U.S. Patent Nos 9,057,185 and 9,783,968.

**in sink erator**™

Elkay® Perfect Drain™ sinks are designed and approved for compatible disposers manufactured by InSinkErator® utilizing the Quick Lock® mounting configuration. Use of non-approved disposers may void Elkay warranty.

InSinkErator, Quick Lock and the mounting collar configuration are trademarks of Emerson Electric Co.





**Included with Product:** One LKPD1 Perfect Drain and strainer.

AMERICAN PRIDE. A LIFETIME TRADITION. Like your family, the Elkay family has values and traditions that endure. For almost a century, Elkay has been a family-owned and operated company, providing thousands of jobs that support our families and communities.

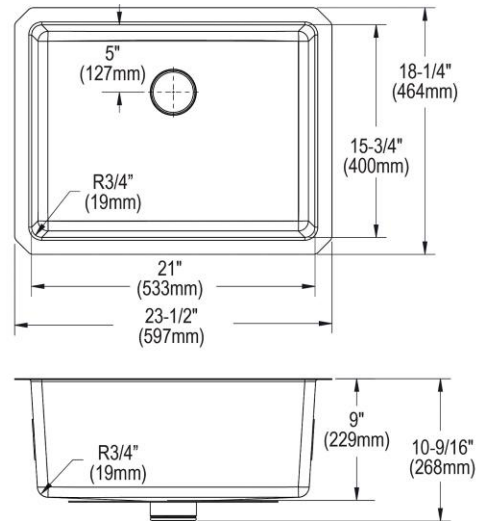


**Product Compliance:** ASME A112.19.3/CSA B45.4  
BUY AMERICAN ACT  
Accessory: ASME A112.18.2/CSA B125.2



Sinks are listed by IAPMO® as meeting the applicable requirements of the Uniform Plumbing Code®, International Plumbing Code®, and National Plumbing Code of Canada.

- [Clean and Care Manual \(PDF\)](#)
- [Installation Instructions \(PDF\) - 1000002045](#)
- [Installation Instructions \(PDF\) - 74180289 Disposer](#)
- [Installation Instructions \(PDF\) - 74180340-USA Drain](#)
- [Limited Lifetime Warranty \(PDF\)](#)



PART: \_\_\_\_\_ QTY: \_\_\_\_\_

PROJECT: \_\_\_\_\_

CONTACT: \_\_\_\_\_

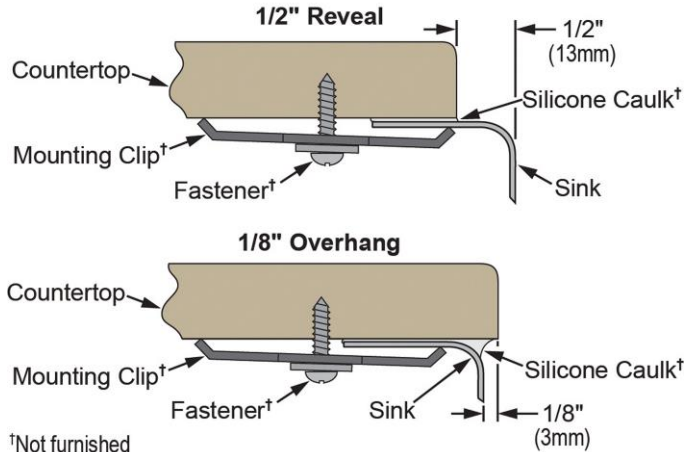
DATE: \_\_\_\_\_

NOTES: \_\_\_\_\_

APPROVAL: \_\_\_\_\_

*In keeping with our policy of continuing product improvement, Elkay reserves the right to change product specifications without notice. Please visit [elkay.com](#) for the most current version of Elkay product specification sheets. This specification describes an Elkay product with design, quality, and functional benefits to the user. When making a comparison of other producers' offerings, be certain these features are not overlooked.*

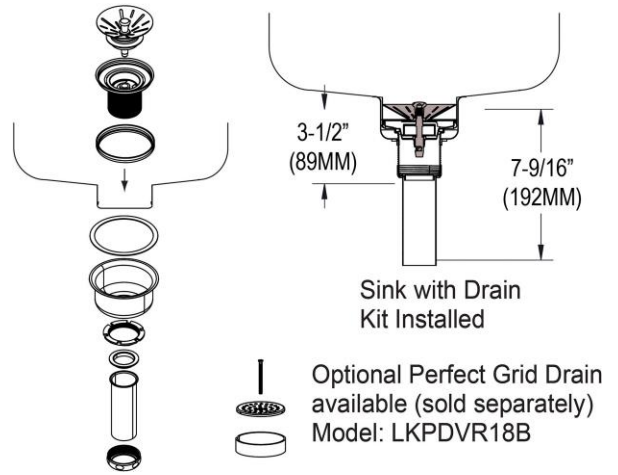
**Installation Profile:**



†Not furnished  
Designed to affix to the underside of any solid surface countertop.

**OPTIONAL ACCESSORIES**

|                  |                       |
|------------------|-----------------------|
| <b>Hardware:</b> | LKUCLIP8 (2 Required) |
|------------------|-----------------------|



Optional Perfect Grid Drain  
available (sold separately)  
Model: LKPDVR18B

*In keeping with our policy of continuing product improvement, Elkay reserves the right to change product specifications without notice. Please visit [elkay.com](http://elkay.com) for the most current version of Elkay product specification sheets. This specification describes an Elkay product with design, quality, and functional benefits to the user. When making a comparison of other producers' offerings, be certain these features are not overlooked.*