

MS446124CUMF(G), MS446234CUMFG, MW4463046CUMFG(A) & MW4463056CUMFG(A)

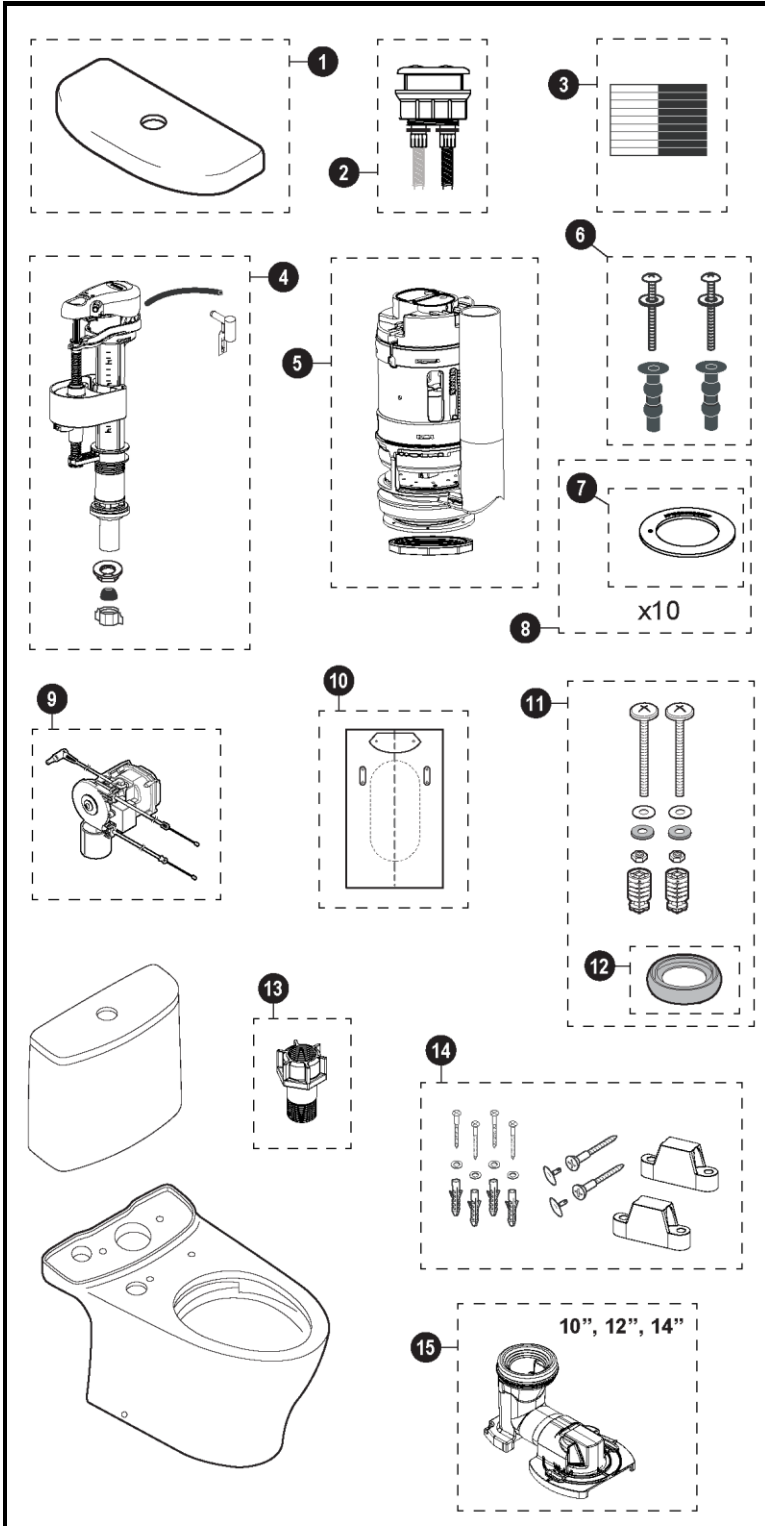
MS446124CUMF(G)
CT446CUFGT40
ST446UMA
SS124

MS446234CUMFG
CT446CUFGT40
ST446UMA
SS234

MW4463046CUMFG(A)
CT446CUFGT40
ST446UMA
SW3046AT40

MW4463056CUMFG(A)
CT446CUFGT40
ST446UMA
SW3056AT40

Aquia® IV 1G WASHLET®+ 1.0 & 0.8 Gpf Toilet, Elongated, Universal Height DYNAMAX TORNADO FLUSH®, Unifit Rough-in, (including CEFIONTECT® & Auto Flush)



Actual Product may vary slightly from illustration.

Item	Part	Description
1	TCU446CRU#01	Tank Lid - Cotton
	TCU446CRU#03	Tank Lid - Bone
	TCU446CRU#11	Tank Lid - Colonial White
	TCU446CRU#12	Tank Lid - Sedone Beige
	TCU446CRU#51	Tank Lid - Ebony
2	THU735#01-A	Push Button Assembly - Cotton
	THU735#BN-A	Push Button Assembly - Brushed Nickel
	THU735#CP-A	Push Button Assembly - Chrome Plated
	THU735#PN-A	Push Button Assembly - Polished Nickel
3	THU107	Velcro Tape
4	TSU83.07-A	Fill Valve
5	THU737N-A	Flush Valve Assembly, 1.0gpf
6	THU651N	Seat Top Mounting Hardware
7	9BU112E-A	Seal Gasket for Flush Valve (1 piece)
8	THU744	Seal Gasket for Flush Valve (10 pieces)
9	THU765	Auto Flush unit for Dual Flush
10	0GU181-A	12" Unifit Rough-in Template
	0GU182-A	10" & 14" Unifit Rough-in Template
11	THU741-A	Tank to Bowl Mounting Hardware
12	9BU109E-A	Tank to Bowl Gasket
13	9AU321-A	Fill Valve extension adapter
14	THU742#01-A	Toilet Mounting Hardware (for #01 & #11)
	THU742#03-A	Toilet Mounting Hardware
	THU742#12-A	Toilet Mounting Hardware
	THU742#51-A	Toilet Mounting Hardware
15	TSU08W.10	Unifit Rough-in 10"
	TSU08W.12	Unifit Rough-in 12"
	TSU08W.14	Unifit Rough-in 14"

Note:

Product Number Explanations

Two-Piece Toilet

(MS) Toilet & Seat combo
(MW) Toilet & Washlet combo
(446) Toilet model
(C) DYNAMAX TORNADO FLUSH®
(U) 1.0 gpf
(M) Dual Flush
(F) Universal Height
(G) CEFIONTECT®

Tank

(ST) Tank
(446) Tank Model
(U) 1.0 gpf
(M) Dual Flush
(A) Auto Flush compatible

Bowl

(CT) Skirted Bowl
(446) Bowl Model
(C) DYNAMAX TORNADO FLUSH®
(F) Universal Height
(G) CEFIONTECT®
(T40) WASHLET®+