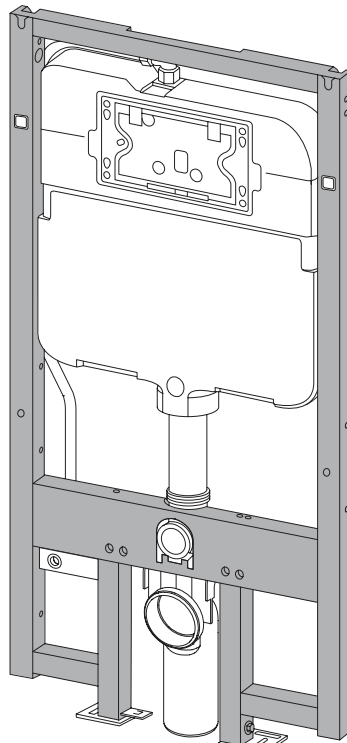


DuoFit In Wall Tank System
Sistema de tanque empotrado DuoFit
Systeme de réservoir mural DuoFit
Sistema de depósito de parede DuoFit



WT171M
WT172M

Warranty Registration and Inquiry

For product warranty registration, TOTO U.S.A. Inc. recommends online warranty registration. Please visit our web site <http://www.totousa.com>. If you have questions regarding warranty policy or coverage, please contact TOTO U.S.A. Inc., Customer Service Department, 1155 Southern Road, Morrow, GA 30260 (888) 295-8134 or (678) 466-1300 when calling from outside of U.S.A.

TABLE OF CONTENTS

| | |
|--------------------------------|------|
| Thanks for Choosing TOTO!..... | 2 |
| Common Tools Needed..... | 2 |
| Included Parts..... | 2 |
| Before Installation..... | 3-4 |
| Installation Procedure..... | 5-8 |
| Servicing Procedures..... | 9-10 |
| Warranty..... | 11 |

THANKS FOR CHOOSING TOTO!

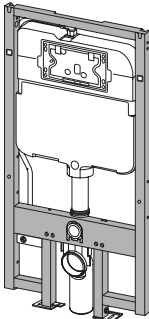
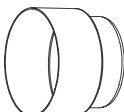

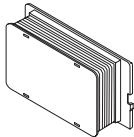
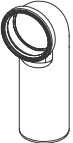







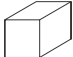




The mission of TOTO is to provide the world with healthy, hygienic and more comfortable lifestyles. We design every product with the balance of form and function as a guiding principle. Congratulations on your choice.

COMMON TOOLS NEEDED

- | | |
|---|--|
| <ul style="list-style-type: none"> • Hacksaw • Flat File • Drill • 1/8" (3mm) Drill Bit | <ul style="list-style-type: none"> • 3-1/2" (89mm) Hole Saw • 7/16" (11mm) Open or Boxed-end Wrench • Tape Measure • Carpenter's Level |
|---|--|

INCLUDED PARTS

Check to make sure you have all these parts from the package:

| | | |
|---|--|--|
|  <p>In Wall Tank (Carrier)</p> | <p><u>Parts in Bag</u></p> <div style="display: flex; justify-content: space-around;"> <div style="text-align: center;">  Outlet Pipe Mud Guard </div> <div style="text-align: center;">  Inlet Pipe Mud Guard </div> </div> | |
| |  <p>Push Plate Rough In</p> | |
| <p><u>Parts in Bag 1</u></p> <div style="display: flex; justify-content: space-around;"> <div style="text-align: center;">  Outlet Pipe </div> <div style="text-align: center;">  Upper bracket </div> <div style="text-align: center;">  Lag Screw (8) </div> </div> <div style="display: flex; justify-content: space-around; margin-top: 20px;"> <div style="text-align: center;">  Threaded Mounting Stud (2) </div> <div style="text-align: center;">  Lower Bracket </div> <div style="text-align: center;">  Anchor (2) </div> </div> | | |
| <p><u>Parts in Bag 2</u></p> <div style="display: flex; justify-content: space-around;"> <div style="text-align: center;">  Flange Pipe </div> <div style="text-align: center;">  Inlet Pipe </div> <div style="text-align: center;">  Lubricated sponge </div> </div> <div style="display: flex; justify-content: space-around; margin-top: 20px;"> <div style="text-align: center;">  Nut (2) </div> <div style="text-align: center;">  Cap (2) </div> <div style="text-align: center;">  Washer (2) </div> <div style="text-align: center;">  Stud bolt Flange (2) </div> </div> | | |