

LK723

Thermostatic Mixing Valve

Instructions

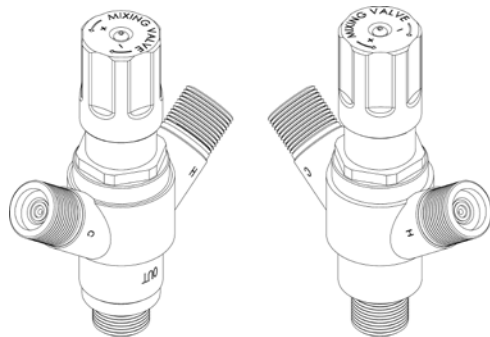
WARNING

It is recommended that only licensed plumbers with knowledge of installing plumbing products install this product. Failure to do so may cause product malfunction and needless additional cost.

*Prior to installing the thermostatic valve, it is **CRITICAL** that the supply lines be completely and properly flushed of all dirt and debris. Failure to do so will cause the valve to fail and it will void the manufacturer's warranty.*

Features:

- Compliant with ASSE 1016 standards
- Compliant with ASSE 1070 standards (Temperature is adjustable, but not at will.)
- cUPC, AB1953, and NSF61 certified
- Neoperl pressure balancing valves
- Vernet sensor bar



Specs:

- Minimum flow rate: 0.9/GPM
- Pressure loss at minimum flow rate: 0.5/psi
- Hot Water Inlet Temperature Range: 120~180°F (48.8~82.2°C)
- Cold Water Inlet Temperature Range: 39~84°F (3.9~28.8°C)
- Outlet Temperature Range: 80~120°F (26.7~48.8°C)
- Outlet Temperature Factory Settings: 100.4°F (38°C)
- Inlet/Outlet Spec: 1/2" NPS threaded male



Installation Procedure:

- Close both the hot and cold water shut-off valves upstream nearest to the intended installation.
- Bleed the remaining water from the system.
- Connect the water supply to valve as shown in Figure 1. Supply piping **MUST** be flushed clean before making connections to the valve.

NOTE: Please make sure that the metallic filters (see figure 2) are installed prior to water supply connection as shown in figure 3. Failing to do so may cause clogging and malfunction of the thermostatic valve.

- Valve can be installed in any position.

NOTE: the inlet hot supply is to be connected to the “H” side of the valve, the cold supply side to the “C” side and the mixed water outlet to the “OUT” side.

- Start-up: Open cold water supply, then hot water supply. Inspect for leaks.
- Adjust temperature as desired.

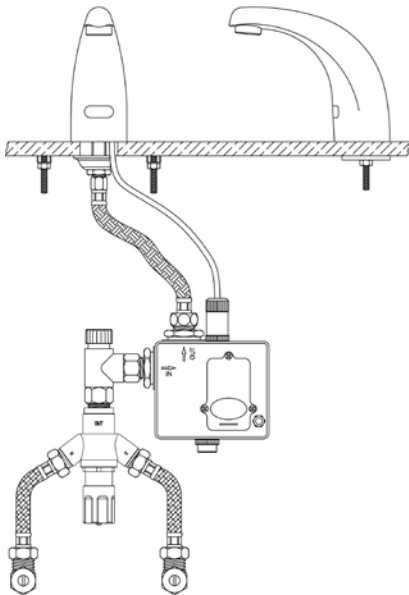


FIGURE 1



FIGURE 2



FIGURE 3

Adjustment:

- Let water flow for at least two minutes to allow supply temperature to stabilize.
- Calibrate the mixed water outlet temperature by placing a thermometer in the mixed water stream.
- To adjust the setting of the valve, loosen locking cap screw with phillips head screwdriver as shown in Figure 4. Cap must be lifted at least 4mm to adjust temperature.

To increase the temperature, turn counterclockwise. To decrease temperature turn clockwise.

NOTE: Factory settings is 38 °C (100 °F). To reset to factory settings, simply align the redlines under the cap as shown in Figure 6.

- Lower cap and tighten screw as shown in figure 5.
- Check outlet temperature.



FIGURE 6

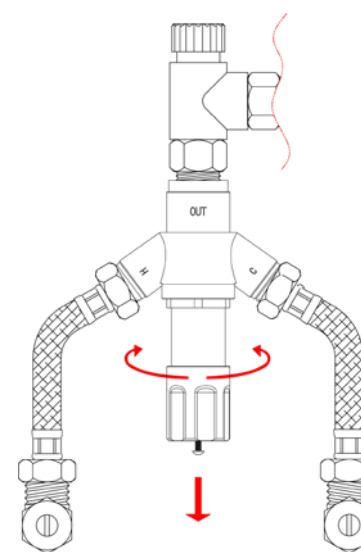


FIGURE 4

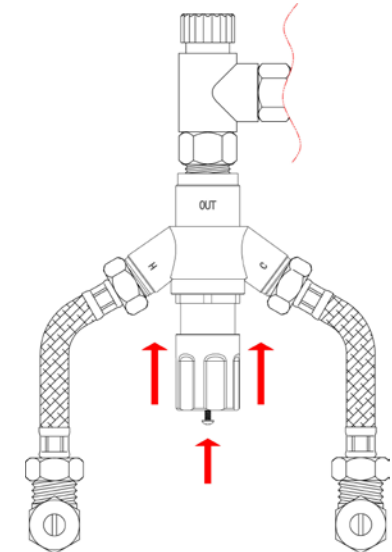


FIGURE 5