



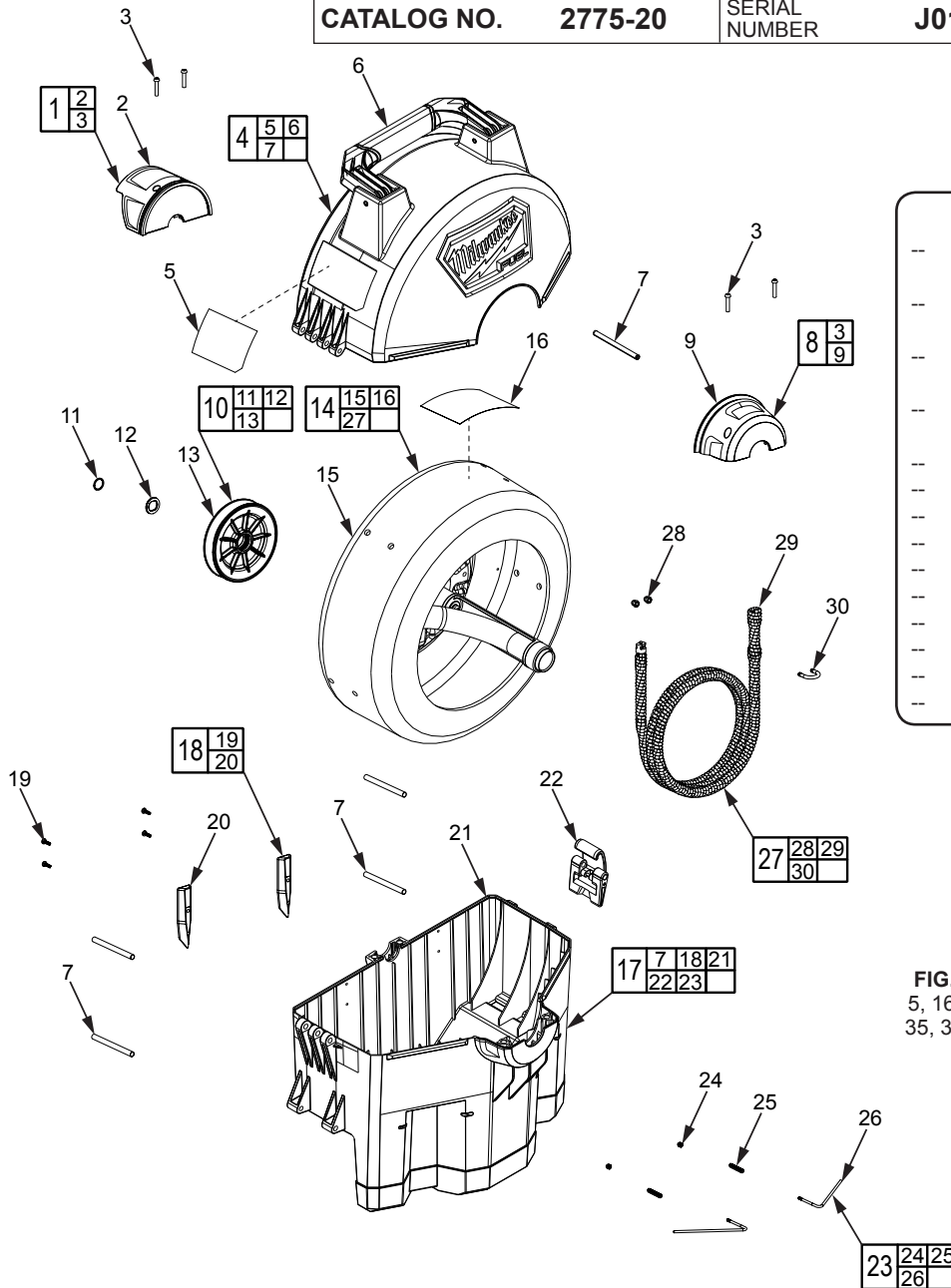
# SERVICE PARTS LIST

**BULLETIN NO.**  
**54-07-2775**

SPECIFY CATALOG NO. AND SERIAL NO. WHEN ORDERING PARTS				REVISED BULLETIN	DATE
<b>M18™ FUEL™ SWITCH PACK™ SECTIONAL DRUM SYSTEM</b>					Aug. 2017
<b>CATALOG NO.</b>	<b>2775-20</b>	<b>SERIAL NUMBER</b>	<b>J01A</b>	WIRING INSTRUCTION	

**EXAMPLE:**  
Component Parts (Small #) Are Included  
When Ordering The Assembly (Large #).

Cables & Attachment Head Accessories		
--	48-53-2772	5/16" x 75' Inner Core Drop Head Cable
--	48-53-2773	3/8" x 50' Inner Core Coupling Cable
--	48-53-2774	1/2" x 50' Inner Core Coupling Cable
--	48-53-2775	5/8" x 50' Open Wind Coupling Cable
--	48-53-2681	Small Bulb Head
--	48-53-2682	Small Drop Head
--	48-53-2683	1" Spade Bit
--	48-53-2684	1" C-Cutter
--	48-53-2685	5 Piece Small Drain Line Kit
--	48-53-2786	Medium Bulb Head
--	48-53-2787	Medium Drop Head
--	48-53-2788	1-1/2" Spade Bit
--	48-53-2789	1-1/2" C-Cutter
--	48-53-2790	5 Piece Medium Drain Line Kit



**FIG. NOTES**  
5, 16, 35, 36 A clean, dry surface is essential for proper performance for any adhesive system. The area intended for application of any adhesive label or nameplate must be prepared by cleaning with isopropyl alcohol. The solvent is to be applied with a clean, lint free applicator and the surface allowed to dry before applying the label or nameplate.

FIG.	PART NO.	DESCRIPTION OF PART	NO. REQ.	FIG.	PART NO.	DESCRIPTION OF PART	NO. REQ.
1	14-38-0019	Rear Bearing Clamp Kit	(1)	19	-----	M3.5 x 1.2 Screw	(4)
2	-----	Rear Bearing Clamp	(1)	20	-----	Slot	(2)
3	-----	M5 x 0.8 Screw	(4)	21	-----	Bottom Housing w/ Threaded Inserts	(1)
4	14-38-0024	Top Housing Assembly	(1)	22	44-20-0011	Latch Assembly	(1)
5	12-20-0120	Drum Service Nameplate	(1)	23	44-94-0006	Accessory Rod Kit (Set of 1)	(2)
6	-----	Top Housing w/ Handle	(1)	24	-----	M3 x 0.5 Cap Nut	(2)
7	44-60-0086	Pin	(5)	25	-----	Spring	(2)
8	14-38-0023	Front Bearing Clamp Kit	(1)	26	-----	Accessory Rod	(2)
9	-----	Front Bearing Clamp	(1)	27	42-44-0006	Anchor Cable Kit	(1)
10	45-94-0006	Drum Pulley Kit	(1)	28	-----	M4 x 0.7 Cap Nut	(2)
11	34-80-0002	Spring Retaining Ring	(1)	29	-----	Anchor Cable	(1)
12	45-88-0006	Flat Washer	(1)	30	-----	U Bolt	(1)
13	-----	Drum Pulley w/ Bushing	(1)	--	47-53-2775	Complete Drum Assembly (minus main cable)	(1)
14	43-11-0022	Inner Drum Assembly	(1)				
15	-----	Inner Drum	(1)				
16	10-20-0232	Drum Wheel Warning Label	(1)				
17	14-38-0026	Bottom Housing Assembly	(1)				
18	14-46-0006	Slot Kit	(1)				

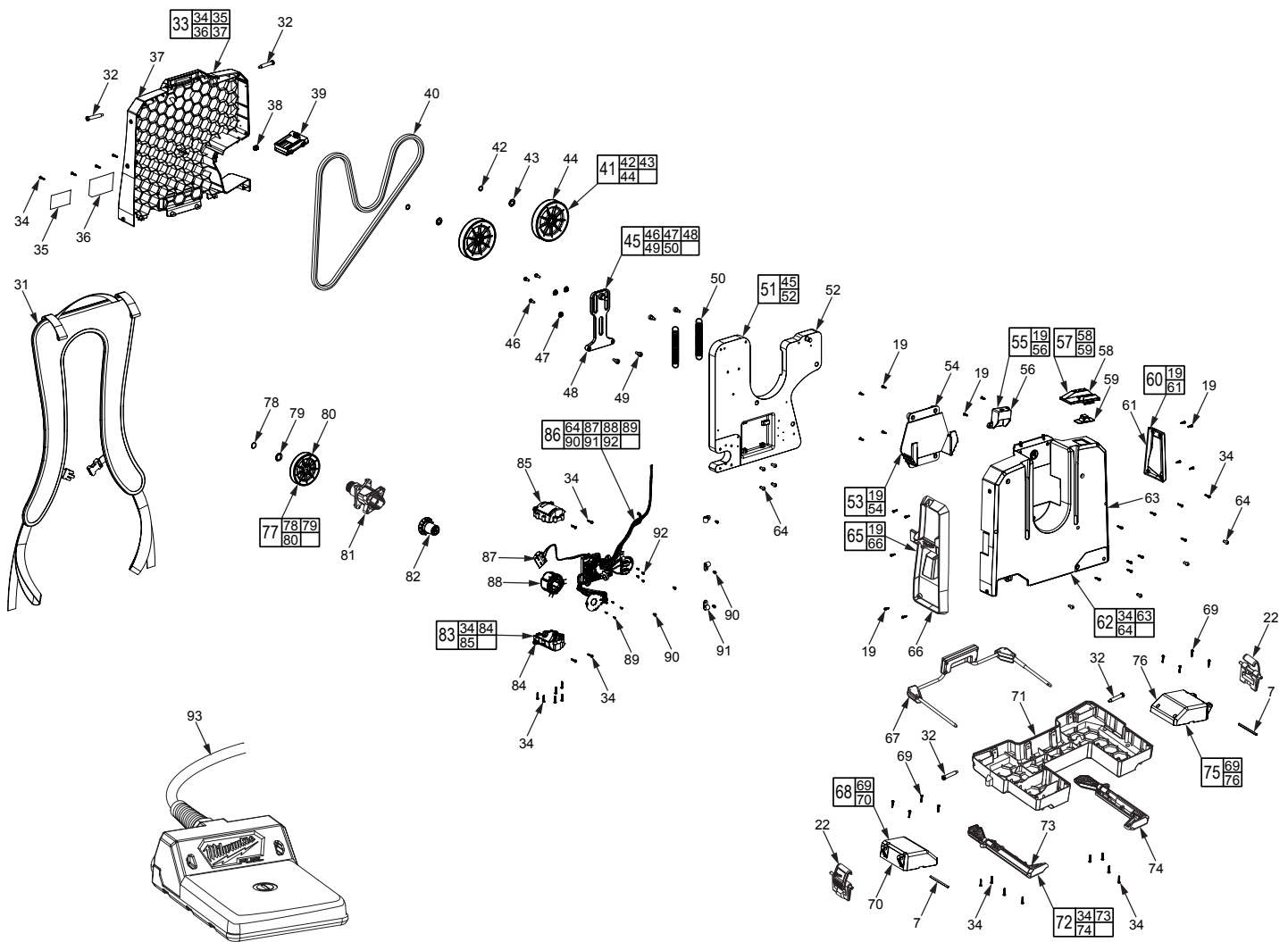


FIG.	PART NO.	DESCRIPTION OF PART	NO. REQ.
7	44-60-0086	Pin	(2)
19	-----	M3.5 x 1.2 Screw	(15)
22	44-20-0011	Latch Assembly	(2)
31	45-56-8212	Backpack Straps	(1)
32	05-88-0008	M5 x 0.8 Screw	(4)
33	14-38-0027	Back Housing Kit	(1)
34	06-82-2368	M3.5 x 1.2 Screw	(19)
35	10-20-0223	Powered Base Warning Label	(1)
36	12-20-0001	Powered Base Service Nameplate	(1)
37	-----	Back Housing w/ Inserts	(1)
38	40-50-1090	Latch Spring	(1)
39	14-67-0130	Battery Connector Assembly	(1)
40	42-25-0032	Rubber Belt	(1)
41	45-94-0007	Pulley Wheel Kit (Set of 1)	(2)
42	-----	Retaining Ring	(2)
43	-----	Flat Washer	(2)
44	-----	Pulley Wheel	(2)
45	42-28-0016	Tensioning Kit	(1)
46	-----	T-32 Pan Hd. T25 Machine Screw	(3)
47	-----	Tension Bush	(3)
48	-----	Tensioning Block w/ Pulley Shaft	(1)
49	-----	M5 x 0.8 Screw	(4)
50	-----	Spring	(2)
51	14-67-0101	Metal Plate Assembly	(1)
52	-----	Metal Plate w/ Pulley Shaft	(1)
53	14-46-0043	Belt Guard Kit	(1)
54	-----	Belt Guard	(1)
55	14-46-0051	Switch Mount Kit	(1)
56	-----	Switch Mount w/ Wiring	(1)
57	23-66-9002	Switch Kit	(1)
58	-----	Switch Plate	(1)
59	-----	Switch Slider	(1)
60	14-46-0056	Logo Badge Kit	(1)

FIG.	PART NO.	DESCRIPTION OF PART	NO. REQ.
61	-----	Logo Badge	(1)
62	14-38-0028	Front Housing Kit	(1)
63	-----	Front Housing	(1)
64	-----	M5 x 0.8 Screw	(8)
65	45-56-8211	Cord Wrap Kit	(1)
66	-----	Cord Wrap w/ Rubber Strap	(1)
67	31-70-0101	Kickstand Assembly	(1)
68	31-12-0003	Right Base Cap Kit	(1)
69	-----	M3.5 x 1.2 Screw	(8)
70	-----	Right Base Cap	(1)
71	14-38-0031	Bottom Housing Assembly	(1)
72	42-38-0006	Slider Assembly	(1)
73	-----	Right Slider w/ Flat Springs	(1)
74	-----	Left Slider w/ Flat Springs	(1)
75	31-12-0004	Left Base Cap Kit	(1)
76	-----	Left Base Cap	(1)
77	45-94-0008	Drive Pulley Wheel Kit	(1)
78	-----	Retaining Ring	(1)
79	-----	Flat Washer	(1)
80	-----	Drive Pulley Wheel	(1)
81	14-30-6231	Gear Case Assembly	(1)
82	23-40-7114	Rotor Assembly	(1)
83	14-38-0029	Motor Housing Kit	(1)
84	-----	Right Motor Housing	(1)
85	-----	Left Motor Housing	(1)
86	14-20-0006	PCBA Assembly	(1)
87	-----	PCBA	(1)
88	-----	Motor Field	(1)
89	-----	M2.3 x 0.9 Screw	(4)
90	-----	T-32 Pan Hd. T15 Taptite Screw	(5)
91	-----	Wire Clip	(3)
92	-----	M2.5 x 0.4 Screw	(4)
93	14-02-0000	Foot Pedal Assembly	(1)