



Buy it for looks. Buy it for life.®

**FAUCET DESCRIPTION**

- Metal construction with various finishes identified by suffix

**OPERATION**

- Lever style handle with temperature indicator on the escutcheon, pull-on/push-off operation
- Temperature operates through an 180° arc of handle travel (full cold to full hot)
- Adjustable temperature limit stop to control maximum hot water temperature
- Pressure balancing mechanism maintains selected discharge temperature to ± 2°

**FLOW**

- NH Suffix models contain no showerhead

**CARTRIDGE**

- 1225° cartridge design
- Nonmetallic/nonferrous and stainless steel materials
- Accommodates back to back installations

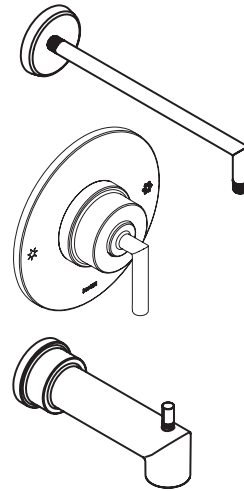
**STANDARDS**

- Third party certified to ASME A112.18.1/CSA B-125-1, and all applicable requirements referenced therein
- **ADA** ♿ for lever handle

**WARRANTY**

- Lifetime limited warranty against leaks, drips and finish defects to the original homeowner
  - 10 year limited warranty when used in a multifamily installation
  - 5 year limited warranty when used in a commercial installation
- Visit [www.moen.com/support](http://www.moen.com/support) for complete details and limitations

# Specifications

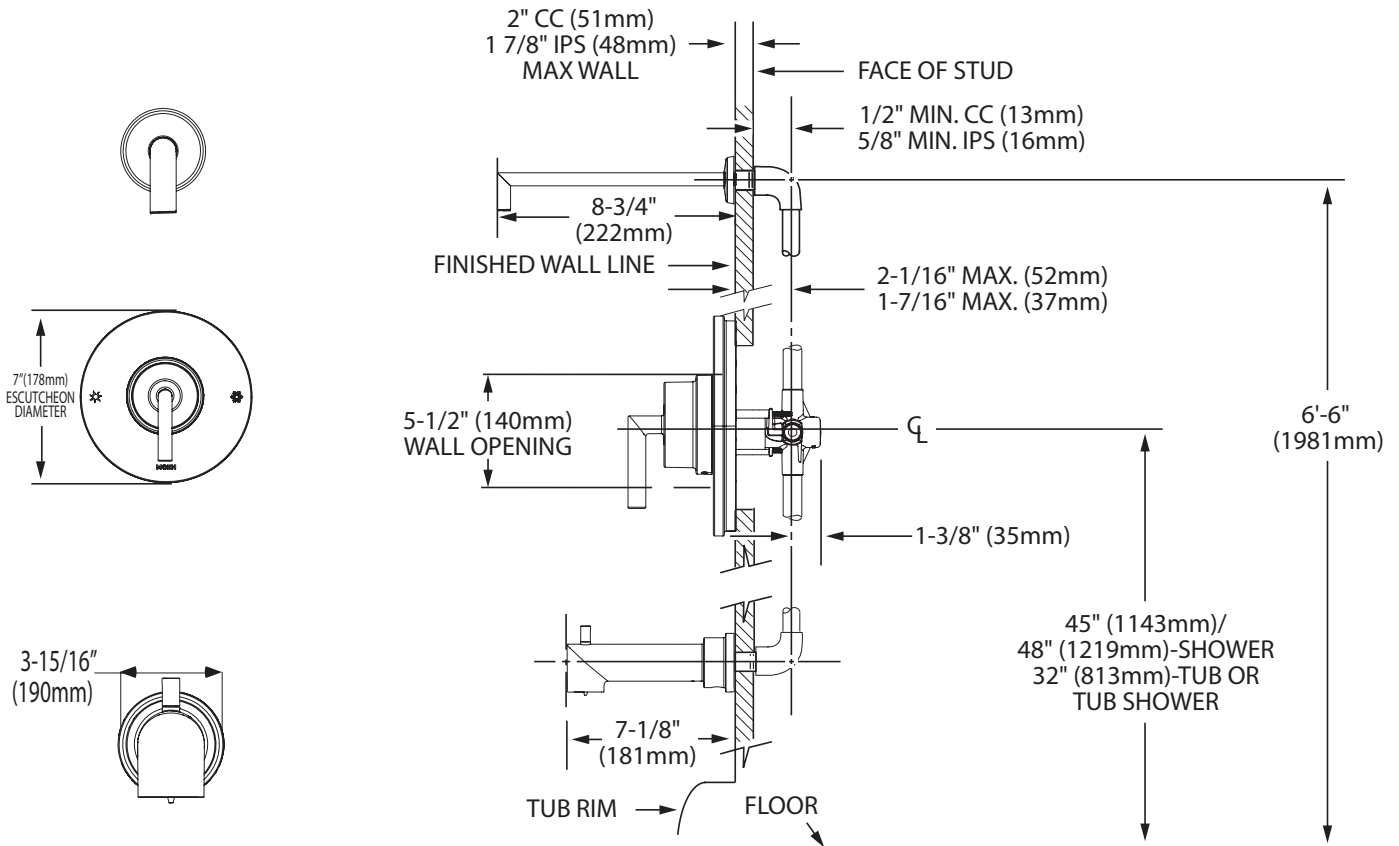


**ARRIS™ MOENTROL®**

**Single-Handle Tub/Shower Trim Only**

- Models:** T32001 series - valve only trim  
 T32002NH series - shower only trim  
 T32003NH series - tub/shower trim

**Valves:** 3500 series



**CRITICAL DIMENSIONS**

(DO NOT SCALE)

FOR MORE INFORMATION CALL: 1-800-BUY-MOEN

[www.moen.com](http://www.moen.com)