



RED LION®

EN

ENGLISH

CONVERTIBLE JET PUMP

Owner's Manual

THIS PUMP IS DUAL VOLTAGE AND FACTORY SET FOR 230 VOLTS.

SEE VOLTAGE WIRING INSTRUCTIONS TO SET FOR 115 VOLTS.

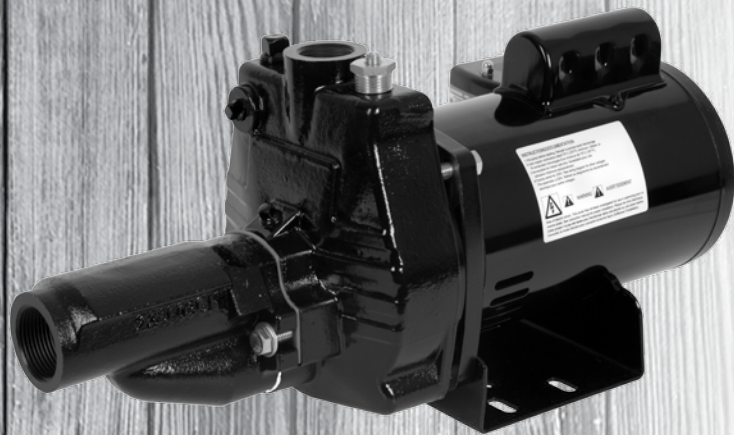




Table of Contents


Before Getting Started	2
Installation Checklist	3
Application	4
Voltage Setting Instructions	4
Materials and Tools Needed	5
Important Information	5
Quick Installation Guide	6
Plug Descriptions and Socket Sizes	6
Detailed Installation Instructions	7-9
Pump to Tank Installation	10
Typical Installations	11
Wiring Instructions	12
Priming the Pump	13
Maintenance	14
Troubleshooting	15
Replacement Parts	15
Limited Warranty	16


BEFORE GETTING STARTED


Read and follow safety instructions. Refer to product data plate(s) for additional operating instructions and specifications.

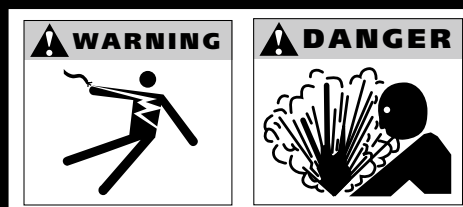
This is the safety alert symbol. When you see this  symbol on your pump or in this manual, look for one of the following signal words and be alert to the potential for personal injury or property damage if ignored:

 **DANGER** warns about hazards that will cause serious personal injury, death or major property damage if ignored.

 **WARNING** warns about hazards that can cause serious personal injury, death or major property damage if ignored.


 **CAUTION** warns about hazards that will or can cause minor personal injury or major property damage if ignored.


 **NOTICE** indicates special instructions which are important but not related to hazards. Carefully read and follow all safety instructions in this manual and on pump.



BEFORE OPERATING OR INSTALLING THIS PUMP, READ THIS MANUAL AND FOLLOW ALL SAFETY RULES AND OPERATING INSTRUCTIONS.

 **CAUTION** CAREFULLY READ THESE SAFETY MESSAGES.

 **WARNING ELECTRICAL PRECAUTIONS** - All wiring, electrical connections, and system grounding must comply with the National Electrical Code (NEC) and with any local codes and ordinances. Employ a licensed electrician.

 **WARNING FOR DUAL VOLTAGE MOTORS (115/230 V)** - Voltage change instructions are located on the wiring access cover and in this manual.

 **NOTICE** The motor voltage is factory set at 230 V.

 **WARNING RISK OF ELECTRIC SHOCK**

- Have an electrician provide electrical power to motor.
- We recommend that a separate circuit be lead from the home electrical distribution panel, properly protected with a fuse or a circuit breaker.
- A ground fault interrupter (GFI) protected circuit is also recommended for use with any electrical device operating near water.
- For recommended cable size see Table 2.
- Motor must be grounded and terminal cover in place to reduce electrical shock hazard.
- Keep motor operating area as dry as possible.
- Always disconnect power before servicing.
- Not investigated for use in swimming pool areas.

 **WARNING 75 PSI PRESSURE RELIEF VALVE RECOMMENDED**

This pump is capable of producing high pressure. Installing a 75 psi pressure relief valve is highly recommended.

INSTALLATION CHECKLIST

This checklist has been provided for your convenience. If a step was missed, ensure power has been shut off at the breaker and completely relieve pressure from the water system before continuing to work on the system.

⚠ WARNING 75 PSI PRESSURE RELIEF VALVE RECOMMENDED

This pump is capable of producing high pressure. Installing a 75 psi pressure relief valve is highly recommended.

Model #: _____

Serial #: _____

Date purchased: _____

Location purchased: _____

KEEP THIS MANUAL ACCESSIBLE FOR FUTURE REFERENCE.

✓	Description
	Voltage setting on pump verified and set to match voltage on the circuit breaker
	Foot valve (for drilled wells) or check valve (for driven well) installed
	Injector assembly installed (attached to the pump for shallow well applications; installed in the well for medium-deep and deep well applications)
	Wiring and electrical connected by licensed electrician
	Pump intake connected to piping in well
	Well seal in place
	Pump discharge connected to tank and service line
	Tank pressure checked and charged to 28 psi
	All joints sealed with PVC cement, PTFE tape or heat and clamps
	All connections checked for leaks
	Pressure relief valve installed
	All other accessories installed: drain cock, shut-off valve, pressure gauge (optional)
	Breaker turned on
	Pump primed
	Model number and serial number recorded in this manual
	Receipt stapled to manual

APPLICATION

This pump is designed to be used with shallow wells down to 25 ft (7.6 m)*, and deep wells (down to 90 ft (27.4 m)*). The pump includes an injector kit, which consists of a cast iron injector assembly that has a nozzle and venturi threaded into it (see Fig. 1). This injector assembly is set-up for shallow well use. Additional venturis are included for deep well applications. Some models also include a deep well nozzle. The venturi and nozzle are designed specifically for certain depths to optimize performance. The injector assembly should always be replaced at the same time the pump is replaced. Follow the **Convertible Jet Pump Injector Kit instructions** to ensure the proper venturi and nozzle are set-up in the injector assembly. The **Detailed Installation Instructions** provides further information for attaching the injector assembly. In deep well installations, friction losses in the suction pipe must be taken into consideration (refer to Table 1, **Friction Loss Chart**).

*Less at high altitudes.

NOTE: This pump is not tested for use in swimming pools.

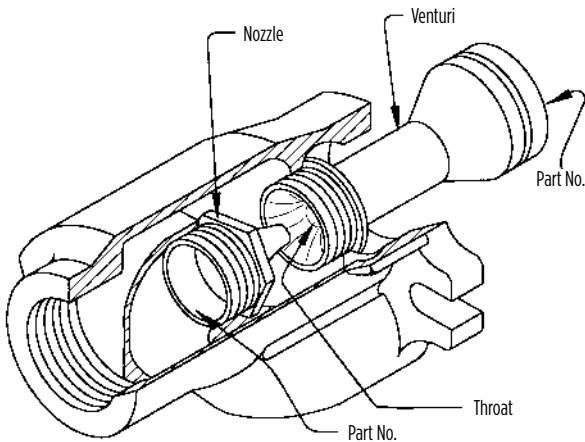


Fig. 1

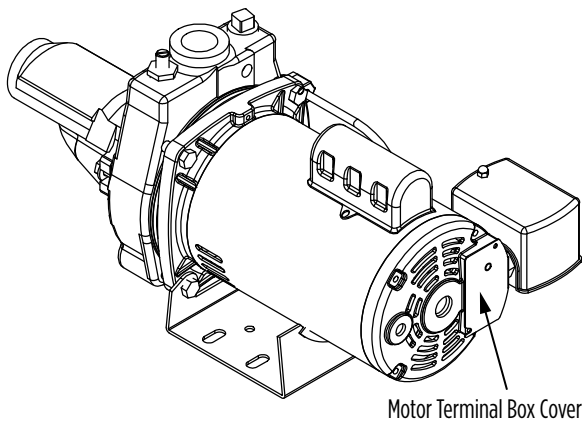


Fig. 2

VOLTAGE SETTING INSTRUCTIONS

To change the pump voltage from the factory setting of 230 Volts, a qualified electrician should:

1. Disconnect the power supply to the pump.
2. Remove the cover from the motor terminal box (see Fig. 2).

DISCONNECT UNIT FROM POWER SOURCE BEFORE PROCEEDING.

ENSURE THE PUMP'S VOLTAGE MATCHES THE VOLTAGE OF YOUR POWER SOURCE.

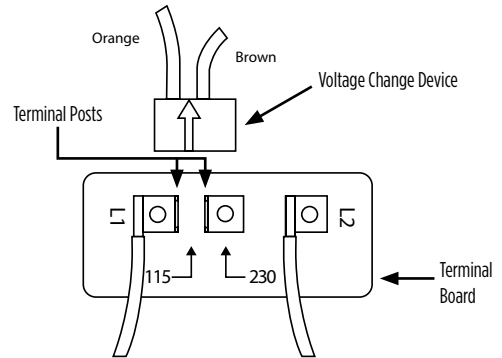


Fig. 3

Fig. 3 shows the motor's switch with the black voltage change device removed from the terminal board.

NOTE: DO NOT MOVE WHITE LEAD WIRES ON L1 & L2

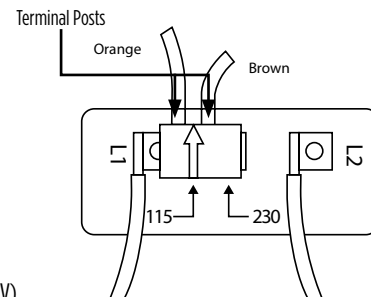


Fig. 4 (Set to 115 V)

Fig. 4 shows the motor's switch **set for 115 V**. The black voltage change device is lined up so both sockets on the voltage change device are **attached to both terminal posts**. The arrow lines up with the 115 V arrow on the terminal board.

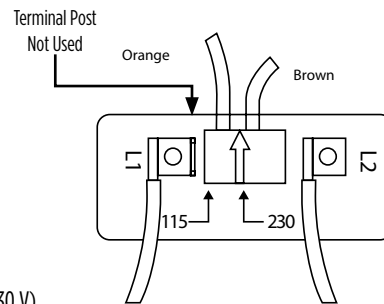


Fig. 5 (Set to 230 V)

Fig. 5 shows the motor's switch set for 230 V. The black voltage change device is lined up so the bottom socket on the voltage change device is **attached to only one terminal post**. The arrow lines up with the 230 V arrow on the terminal board.

MATERIALS AND TOOLS NEEDED

MATERIALS NEEDED

Pipe joints

- One roll of PTFE tape
- One can PVC primer
- One can PVC cement
- Steel clamps (optional)

Drilled wells (driven well materials are listed separately)

- One 1-1/4" foot valve (not needed for driven wells)
- One 1-1/4" PVC pipe (to attach to foot valve – needed for shallow well only)
- Rigid 1-1/4" PVC pipe and couplings to reach from bottom of well to pump
- One 1-1/4" male PVC adapter (for discharge opening)
- Well seal with vent tube
- One 1-1/4" PVC 90° elbow (to join piping from well to pump)
- One 1-1/4" male galvanized adapter (for suction opening)

Wells deeper than 25 ft (all of the above, plus:)

- An additional 1-1/4" male PVC adapter
- One 1-1/4" close nipple (to attach to foot valve)
- One 1" x 6" NPT adapter
- Rigid 1" PVC pipe and couplings to reach from the bottom of the well to the pump
- One 1" PVC elbow (to join 1" piping from well to pump)

Driven wells

- Well point (more than one may be needed)
- 1-1/4" galvanized pipe from bottom of well to the top of well plus 1 ft (30 cm) (if more than one well point is needed, additional piping and elbows will be needed to join the well points together)
- One 1-1/4" galvanized 90° elbow
- One 1-1/4" galvanized nipple
- One 1-1/4" check valve
- One 1-1/4" male PVC adapter
- One 1-1/4" male galvanized adapter
- 1-1/4" PVC pipe measured from adapter connected to pump to check valve
- Restrictor valve (connected after the elbow on the pump discharge)
- Low pressure cut-off Pressure Switch (recommended)

Pump to tank installation

- One male PVC adapter (attached to tank) – the tank fitting size depends on the system connect on the tank
- One tank tee – size should be the same as the adapter above
- One 1" PVC elbow
- PVC piping to fit from tank tee to the elbow on the pumps discharge and to join the service line
- High pressure safety relief valve (attached to the tank tee)
- One 1/2" drain cock (attached to the tank tee)

TOOLS NEEDED

- Round file
- Pipe clamp
- Pipe wrench or crescent wrench
- Slotted screwdriver
- Cross-head screwdriver
- Hacksaw or reciprocating saw
- 5/8" hex key or socket bit (for medium or deep well applications)
- 3/4" deep socket (for medium or deep well applications)
- Heat gun (optional)
- Tape measure
- 5/16" – 8 point socket and ratchet
- 7/8" – 6 point socket and ratchet
- 9/16" – 6 or 12 point socket and ratchet
- 9/16" – 8 point socket and ratchet

IMPORTANT INFORMATION

JOINING PIPE FITTINGS

Follow the fitting guidelines below for all attachments unless otherwise specified.

PVC PIPE FITTINGS

When joining two PVC joints together (such as joining an adapter to a PVC pipe) always use PVC primer to clean both pieces– applying the primer to the inside of one joint and the outside of the other joint so the primed areas meet. Select Method 1, 2, or 3 to affix the joints. When tightening PVC tighten securely but do not over tighten or you could break the fitting.

Method 1 – PTFE tape: Wrap PTFE tape tightly around the male threads. Start wrapping the threads at the end of the pipe, keeping tension on the tape. Do not let the tape hang over the edge of the adapter. Wrap in the direction of the threads starting from the end for the full length of the adapter. Overlap each wrap about 70%.

Method 2 – Using PVC cement: Apply PVC cement to the areas that were just primed and join the two pieces together. Twist to the right and back to the left to help imbed the cement between the pieces.

Method 3 – Using heat and clamps: Add two steel clamps to the largest fitting before joining the fittings. Heat the largest fitting with a heat gun (follow all safety instructions in the heat gun manual). This will shrink the fitting bonding it to the smaller joint. Once the joint has cooled down, tighten the clamps with a screwdriver.

METAL PIPE FITTINGS

Use PTFE tape or thread compound to coat the threadings.

**CHECK TO ENSURE THE JOINTS ARE AIRTIGHT.
EVEN A PINHOLE CAN PREVENT PROPER OPERATION OF THE PUMP.**

SUCTION & PRESSURE PIPE

It is recommended that only new, clean 1-1/4" pipe or hose be used. If the pump is installed any appreciable distance away from the source of water, the suction pipe should be increased to 1-1/2". Horizontal lengths of pipe must gradually slope upward from the source of water to the pump to avoid air pockets in the line. Thread compound should be used on all pipe joints and connections should be thoroughly tightened. **A foot valve or check valve must be installed** and its operation should be checked since a leak will prevent proper operation of the system. Make sure the foot valve is located so that it will be submerged at all times. If the well cannot supply as much water as the pump can draw, install a tailpipe up to 30 ft (9 m) long between the injector and the foot valve. As the well draws down under heavy demand, the pump's capacity will be reduced, and the level will not go below the foot valve, which would cause the pump to lose its prime. If a sandpoint or driven well is used, install a check valve next to the pump suction instead of the foot valve (See Typical Installations Fig. 9b). All installations must have a foot valve or a check valve in the suction pipe.

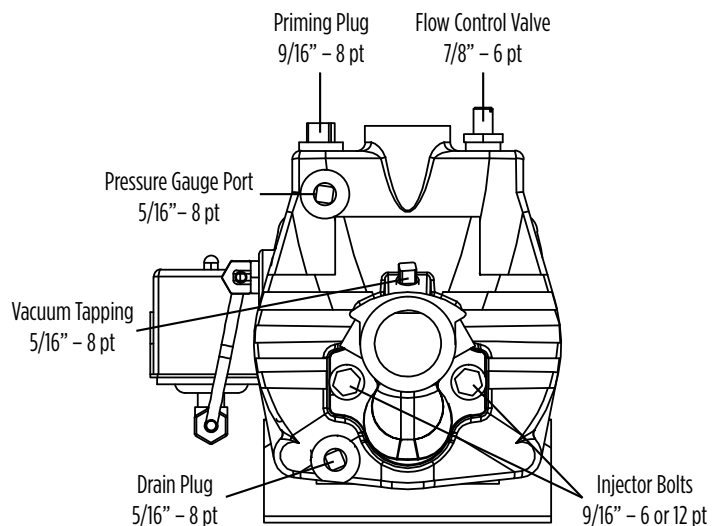
QUICK INSTALLATION GUIDE (Replacing an Existing Pump)

This quick installation guide assumes you will be cutting the existing pump free from the plumbing. For deep well applications the injector assembly and foot valve needs to be cut from the piping inside the well. More detailed instructions are provided in the **Detailed Installation Instructions**.

⚠ WARNING DO NOT RUN THE PUMP BEFORE PRIMING IT; THE SEAL AND IMPELLER COULD BE PERMANENTLY DAMAGED

1. Ensure power has been shut off at the breaker before proceeding.
2. **This pump is dual voltage (115/230 V)! Inspect the voltage wiring on the pump and ensure it matches the voltage on the breaker before continuing with the installation.** (See **Voltage Wiring Instructions**.)
3. Completely relieve pressure from the water system before working on the water system. Open the faucet nearest the tank and allow the water to drain until the tank is empty.
4. Disconnect wiring from the pressure switch to the electrical source.
5. Using a hacksaw or reciprocating saw, cut all PVC piping as close to the old pump as possible at both the suction and discharge openings. Ensure the pipe from the well and the pipe from the tank are clean and free of any pipe shavings or pieces as these could get into the pump and damage the impeller.
6. Set the new pump in place.
7. **Install the injector assembly.** Always replace the injector assembly when you replace the pump. Injector assemblies for other pumps should not be used as this will reduce your pump's performance. The injector assembly for shallow well applications must be attached directly to the pump. The injector assembly for deep well applications must be installed in the well above the foot valve. Ensure the correct venturi and nozzle are set-up in the injector assembly for medium-deep and deep well applications. (See **Convertible Jet Pump Injector Kit** instructions supplied with the injector kit.)
8. Seal the threads on the suction opening on the pump with PTFE tape or thread compound and insert the 1-1/4" male galvanized adapter into the suction opening. Tighten securely but do not over tighten as this could crack the fitting.
9. Attach the 1-1/4" PVC pipe from the well to the male adapter. (additional fittings may need to be added.) **Check to ensure the joints are airtight. Even a pinhole can prevent proper operation of the pump.**
10. Seal the threads of the discharge opening on the pump with PTFE tape or thread compound and insert the 1" male PVC adapter into the discharge opening. Tighten securely but do
- not over tighten as this could crack the fitting.
11. Attach the 1" PVC pipe from the tank to the 1" male PVC adapter (additional fitting may need to be added). **Check to ensure the joints are airtight. Even a pinhole can prevent proper operation of the pump.**
12. If a pressure gauge is supplied with the pump or if you wish to install a pressure gauge, it should be installed into the 1/4" NPT hole on the front of the casing directly in front of the priming port. (See **Typical Installations** Fig. 9a, 9b, 9c or 9d.)
13. An electrician should be employed to do the wiring and connect the electrical service to the pump. (See **Wiring Instructions**.)
14. Prime the pump. (See **Priming Instructions**.)
15. Verify everything has been completed using the **Installation Checklist** provided in this manual.

PLUG DESCRIPTIONS AND SOCKET SIZES



⚠ NOTICE Do not use open style wrenches to loosen plugs. Plugs may become damaged and difficult to remove.

DETAILED INSTALLATION INSTRUCTIONS

⚠ WARNING DO NOT RUN THE PUMP BEFORE PRIMING IT; THE SEAL AND IMPELLER COULD BE PERMANENTLY DAMAGED

Before proceeding, ensure power has been shut off at the breaker. If this is replacing an existing pump, completely relieve pressure from the water system before working on the water system. Open the faucet nearest the tank and allow the water to drain until the tank is empty.

Shallow well set-up is recommended for pumping depths less than 25 ft. If your water table fluctuates and your pumping depth could exceed 25 ft, it is recommended that you follow the installation procedures for deep well applications.

Deep Well Application

(for pumping depths from 20 to 90 ft [6.1 to 27.4 m])

Always replace the injector assembly when you replace the pump. The injector assembly for other pumps should not be used as this will adversely affect the pump's performance. The injector assembly will be installed in the well above the foot valve. It is very important that the correct venturi and nozzle are attached to the injector. Follow the **Convertible Jet Pump Injector Kit instructions** that come with the injector kit.

1. Attach a 1-1/4" foot valve to a 1-1/4" close nipple.
2. Attach the other end of the 1-1/4" close nipple to the bottom of the injector assembly. **NOTE:** the bottom of the injector assembly is the end with a single hole.
3. At the top of the injector assembly, thread a 1" x 6" NPT hose adapter into the smaller hole (the larger hole will have the venturi protruding from it).
4. Thread a 1-1/4" male PVC adapter over the venturi tube and into the injector assembly.
5. Measure from the top of the well to the bottom of the well and subtract 5 ft (1.5 m). This is the total length of both the 1-1/4" and 1" PVC pipe and couplings you will need from the bottom of the well to the first elbow.
6. Attach as many couplings and sections of rigid PVC pipe to fit from the PVC adapters attached to the injector assembly to the top of the well minus 4 ft (1.2 m). The 1" pipe should be cut 2" shorter than the 1-1/4" pipe. When cutting the pipe use a round file to smooth the pipe cutting. Ensure the pipe is clean and free of any pipe shavings or pieces as these could get into the pump and damage the impeller.
7. Firmly clamp the unfinished end of the pipe with a pipe clamp 1 ft (30 cm) from the top of the pipe. This will prevent the piping assembly from dropping to the bottom of the well.
8. Lower this section into the well foot valve first.
9. On the end protruding from the well, which is held in place with the pipe clamp, insert the well seal and have the 1-1/4" pipes protrude 1 ft (30 cm) outside of the well seal (the 1" pipe will protrude 10" [25 cm]). If you have measured correctly, the foot valve will be suspended 4 ft (1.2 m) from the bottom of the well. This will ensure sand and sediment doesn't get drawn into the system. Install a well vent tube in the well cap.
10. Attach the end of each pipe securely to a 90° elbow.
11. Install the pump in a clean, dry, and ventilated location which provides adequate room for services and protection from freezing temperatures. It should be bolted to a good foundation, preferably concrete, and provided with adequate drainage. Locating the pump as close as possible to the water source reduces the friction in the suction pipe and will provide maximum performance.
12. **This pump is dual voltage (115/230 V)! Inspect the voltage wiring on the pump and ensure it matches the voltage at the breaker before continuing with the installation. (See Voltage Wiring Instructions).**
13. If a pressure gauge is supplied with the pump or if you wish to install a pressure gauge, it should be installed into the 1/4" NPT hole on the front of the casing directly in front of the priming port. (See **Typical Installations** Fig. 9a, 9b, 9c or 9d.)
14. Attach a 1-1/4" male PVC adaptor into the top hole in the front of the pump casing. Do not over tighten as this could crack the fitting.
15. Measure from the adapter to the elbow for both the 1-1/4" pipe and the 1" pipe. Cut PVC piping to fit. Smooth the pipe cutting using a round file. Ensure the pipe is clean and free of any pipe shavings or pieces as these could get into the pump and damage the impeller. Connect one end of the pipe to the adaptor attached to the suction inlet. **Check thoroughly for any leaks. All connections and joints must be airtight. A small pinhole leak can prevent the pump from operating properly.**
16. Follow the **Pump to Tank Installation** procedures.
17. Verify everything has been completed using the **Installation Checklist** provided in this manual.

Shallow Well Application

(for pumping depths down to 25 ft [7.6 m])

Shallow well installations use only a single pipe connecting the pump to the water supply. If your water table fluctuates and could reach pumping depths greater than 25 ft, follow the instructions for deep well applications. This pump can be used for drilled wells (see Fig. 9a) or driven wells (see Fig. 9b). Drilled wells are holes drilled into the ground by professional well drillers using a large rig. Driven wells use well points (also known as sand points), which is a long pointed tube with a screen that allows water to enter the pipe but keeps out sand and sediment. The injector assembly that comes with the pump is pre-assembled for use in wells down to 25 ft (7.6 m) and is installed **directly on the pump**.

1. Place the red rubber gasket over the venturi ensuring the hole sizes match. Attach the injector assembly to the front of the pump casing with the washers and bolts provided to ensure that the label marked "Bottom" is at the bottom of the pump. (The holes on both the injector assembly and the front of the pump should match).
2. The extra venturi and extra nozzle (if applicable) supplied in the injector kit are not needed for this installation.
3. There are two types of shallow well installations: drilled wells (see Fig. 9a) or driven wells (see Fig. 9b). Drilled wells are holes drilled into the ground by professional well drillers using a large rig. Driven wells use well points (also known as sand points), which is a long pointed tube with a screen that allows water to enter the pipe but keeps out sand and sediment. The water level in a driven well is fairly high or near ground level (maximum 30 ft [9.1 m]). Continue with the appropriate shallow well installation.

Drilled Wells (with foot valve)

4. Measure from the bottom of the well to the top of the well and subtract 5 ft (1.5 m). This is the length of 1-1/4" rigid PVC pipe and couplings you will need from the bottom of the well to the first elbow. Cut the pipe and use a round file to smooth the pipe cutting. Ensure the pipe is clean and free of any pipe shavings or pieces as these could get into the pump and damage the impeller. The remainder of the pipe will be used to connect the pump to the well.
5. Attach the 1-1/4" male PVC adapter to one end of the rigid PVC pipe and attach the adapter to the foot valve. **Check to ensure the joints are airtight. Even a pinhole can prevent proper operation of the pump.**
6. Firmly clamp the unfinished end of the pipe with a pipe clamp 1 ft (30 cm) from the top of the pipe. This will prevent the pipe from dropping to the bottom of the well. Lower this section into the well foot valve first.
7. On the end protruding from the well, which is held in place with the pipe clamp, insert the well seal and have the pipe protrude 1 ft (30 cm) outside of the well seal. If you have measured correctly, the foot valve will be suspended 4 ft (1.2 m) from the bottom of the well. This will ensure sand and sediment doesn't get drawn into the system. Install a well vent tube in the well cap.
8. Attach the end of the pipe securely to a 1-1/4" PVC 90° elbow.
9. Install the pump in a clean, dry, and ventilated location which provides adequate room for services and protection from freezing temperatures. It should be bolted to a good foundation, preferably concrete, and provided with adequate drainage. Locating the pump as close as possible to the water source reduces the friction in the suction pipe and will provide maximum performance.
10. If a pressure gauge is supplied with the pump or if you wish to install a pressure gauge, it should be installed into the 1/4" NPT hole on the front of the casing directly in front of the priming port. (See **Typical Installations** Fig. 9a, 9b, 9c or 9d.)
11. Attach a 1-1/4" male galvanized adaptor into the suction inlet. Do not over tighten as this could crack the fitting.
12. Use the remainder of the PVC pipe from step 4. Smooth the pipe cutting using a round file. Ensure the pipe is clean and free of any pipe shavings or pieces as these could get into the pump and damage the impeller; connect one end of the pipe to the adaptor attached to the suction inlet. **Check thoroughly for any leaks. All connections and joints must be airtight. A small pinhole leak can prevent the pump from operating properly.**
13. Follow the **Pump to Tank Installation** procedures.
14. Verify everything has been completed using the **Installation Checklist** provided in this manual.

Driven well (with check valve and well point)

4. Drive the well point into the ground according to the instructions that come with the well point. It must be deep enough to bore through the water bearing formation below the water table but should not exceed 25 ft (7.6 m) in depth. An individual well point may not supply the amount of water needed. Sometimes it is necessary to use more than one well point to increase the water supply. The two separate well points can be joined together using additional piping and a cross joint. (See Fig. 8)
5. Plan to have at least 1 ft (30 cm) of pipe protruding from the ground. The rise pipe should be galvanized pipe in approximately 5 ft (1.5 m) sections. This makes it easier to hand drive. Use as much pipe and as many drive couplings as it takes to both reach the water and account for the 1 ft (30 cm) of pipe protruding from the ground.
6. Attach a 1-1/4" galvanized elbow onto the pipe protruding from the ground.
7. Attach a 1-1/4" galvanized nipple to the 1-1/4" galvanized elbow.
8. Attach a 1-1/4" check valve to the 1-1/4" galvanized nipple.
9. Attach a 1-1/4" male PVC adapter to the 1-1/4" check valve.
10. Install the pump in a clean, dry, and ventilated location which provides adequate room for services and protection from freezing temperatures. It should be bolted to a good foundation, preferably concrete, and provided with adequate drainage. Locating the pump as close as possible to the water source reduces the friction in the suction pipe and will provide maximum performance.
11. If a pressure gauge is supplied with the pump or if you wish to install a pressure gauge, it should be installed into the 1/4" NPT hole on the front of the casing directly in front of the priming port. (See **Typical Installations** Fig. 9a, 9b, 9c or 89d.)
12. Attach a 1-1/4" male galvanized adapter into the pump suction inlet. Do not over tighten as this could crack the fitting. Measure from this adapter to the check valve that was installed in step 6. Cut 1-1/4" PVC pipe to this measurement. Using a round file, smooth the pipe cutting. Ensure the pipe is clean and free of any pipe shavings or pieces as these could get into the pump and may damage the impeller. Attach the 1-1/4" PVC pipe to the adapter and then to the check valve. **Check thoroughly for any leaks. All connections and joints must be airtight. A pinhole leak can prevent proper operation of the pump.**
13. Driven wells water levels may, at times, be too low to pump up. To prevent damage to the pump, have an electrician replace the pressure switch with a low pressure cut-off switch.
14. Follow the **Pump to Tank Installation** procedures.
15. Verify everything has been completed using the **Installation Checklist** provided in this manual.

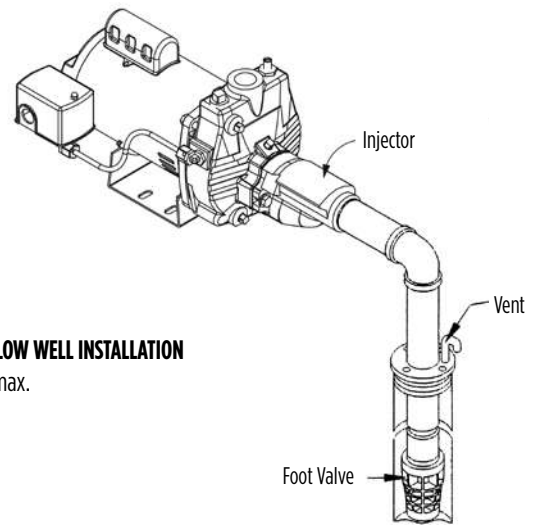


Fig. 6 - SHALLOW WELL INSTALLATION
25 ft (7.5 m) max.

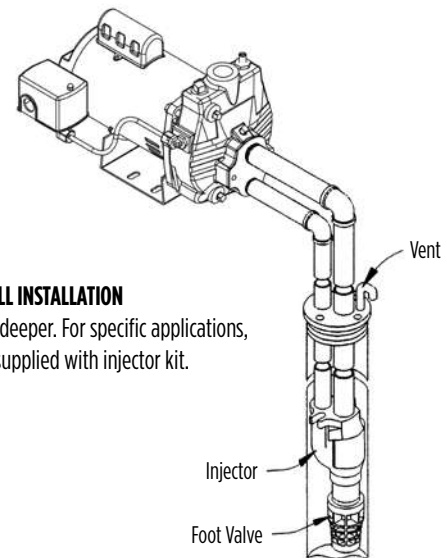


Fig. 7 - DEEP WELL INSTALLATION
25 ft (7.5 m) and deeper. For specific applications, see instructions supplied with injector kit.

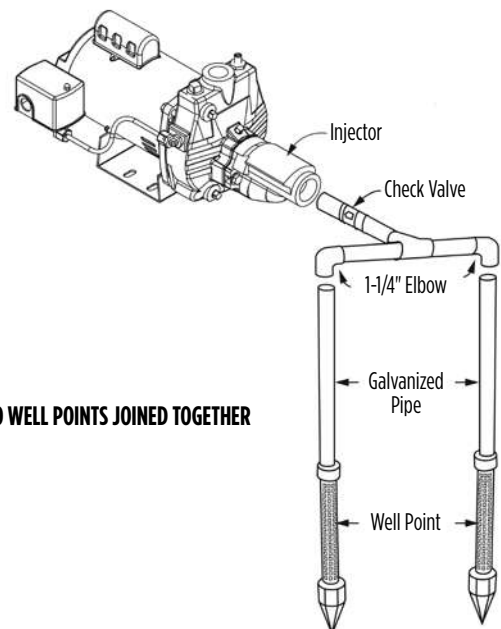


Fig. 8 - TWO WELL POINTS JOINED TOGETHER

PUMP TO TANK INSTALLATION

Red Lion® recommends using pre-charged diaphragm tanks. Instructions for connecting the pump to a diaphragm tank have been provided for your convenience.

If a non-diaphragm tank is used in the pressure system, an air volume control must be used to maintain an air cushion in the pressure tank. If not, air in the tank will gradually be absorbed by water, causing the tank to water log and the pump to short cycle (turn off and on frequently). This greatly shortens the life of the motor. An air volume control will provide the right air/water ratio and prevent water logging. Refer to the pressure tank owner's manual for instructions.

NOTE: A check valve should never be installed between the pump and the tank.

Before proceeding, ensure power has been shut off at the breaker. If this is replacing an existing pump, completely relieve pressure from the water system before working on the water system. Open the faucet nearest the tank and allow the water to drain until the tank is empty.

WARNING

75 PSI PRESSURE RELIEF VALVE RECOMMENDED

This pump is capable of producing high pressure. Installing a 75 psi pressure relief valve is highly recommended.

- The discharge pipe from the pump to the tank should be as short and direct as possible and should be the same size as the discharge outlet. You should have already attached a 1" PVC adapter to the discharge opening of the pump.
- Attach a PVC 90° elbow to the adapter.
- Attach a male PVC adapter to the tank. The tank fitting size depends on the system connect on the tank.
- Install a 1" brass tank tee to the tank adapter.
- Measure the distance from the tank tee to the elbow (or restrictor valve) on the pump's discharge and attach 1" PVC piping to fit.
- Attach accessories to the brass tee such as restrictor valve (recommended for well point installations), high pressure safety relief valve (recommended for all installations), and drain cock. Ensure the high pressure safety relief valve's location is near the discharge of the pump, in an area with adequate drainage. Be sure to direct the valve so that any water flow will not spray toward the pump or any other electrical devices.
- Add piping and coupling to join up the service line. The size of the service line required is governed entirely by the amount of water needed and the length of the pipe. The pipe selected should be large enough so that the friction loss (determined from Table 1, **Friction Loss for Plastic Pipe**) will never exceed 20 ft (6 m) of head.
- Remove the PVC cap on the air valve on the tank.
- Check the tank pre-charge with a tire gauge. It should be equal to 2 psi below the pressure switch cut in setting (the pressure at which the pump will start). For this pump that is 30 psi, therefore the pre-charge pressure should be adjusted to 28 psi. Use a tire pump or air compressor to charge the tank, if necessary.
- Replace and tighten the PVC cap on the air valve.
- See **Typical Installations** for examples of different pump/tank configurations.
- Verify everything has been completed using the **Installation Checklist** provided in this manual.

Table 1 - FRICTION LOSS FOR PLASTIC PIPE*

Loss of head in feet, due to friction per 100 feet of pipe.

Nominal Pipe Size U.S. GPM	3/4"	1"	1-1/4"	1-1/2"	2"
4	3.75	1.15	0.30	0.14	-
5	5.66	1.75	0.46	0.22	-
6	7.95	2.45	0.65	0.31	-
7	10.60	3.25	0.86	0.41	-
8	13.50	4.16	1.10	0.52	-
9	16.80	5.17	1.35	0.65	-
10	20.40	6.31	1.67	0.79	0.23
11	24.40	7.58	1.98	0.95	0.27
12	28.60	8.85	2.33	1.10	0.32
14	38.00	11.80	3.10	1.46	0.43
16	48.60	15.10	3.96	1.87	0.55
18	60.50	18.70	4.93	2.33	0.69
20	73.50	22.80	6.00	2.83	0.84

Loss of head in meters, due to friction per 100 meters of pipe.

Nominal Pipe Size L/Min.	20mm	25mm	32mm	40mm	50mm
15	3.7	1.15	0.30	0.13	-
20	5.3	1.64	0.43	0.19	-
25	7.1	2.18	0.56	0.27	-
30	13.5	4.13	1.08	0.49	-
35	16.3	5.00	1.31	0.61	-
40	23.5	7.30	1.90	0.88	0.25
45	28.3	8.74	2.31	1.07	0.29
50	34.2	10.60	2.79	1.32	0.38
55	40.7	12.60	3.32	1.56	0.46
60	48.1	14.90	3.92	1.85	0.54
65	55.7	17.30	4.45	2.15	0.63
70	63.8	19.70	5.20	2.46	0.73
75	72.2	22.40	5.89	2.78	0.83

*For galvanized pipe, double the figures.

TYPICAL INSTALLATIONS

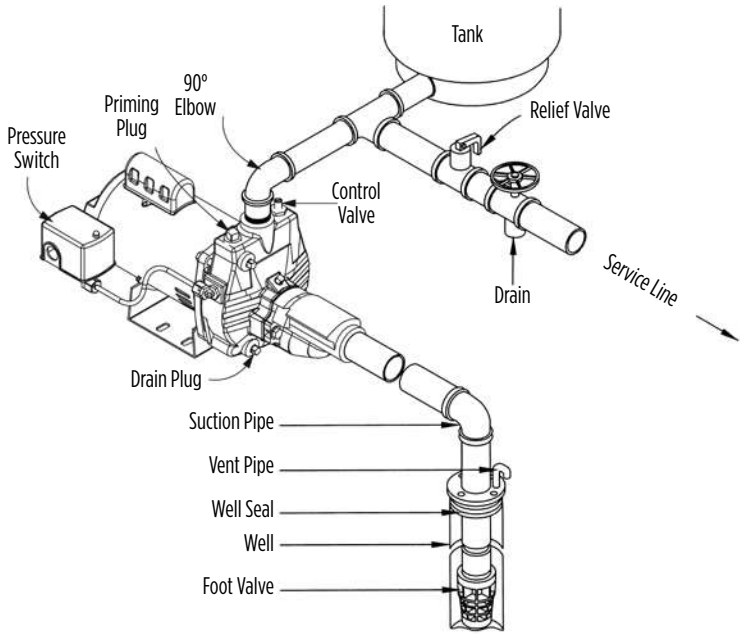


Fig. 9a - SHALLOW WELL
(with foot valve)

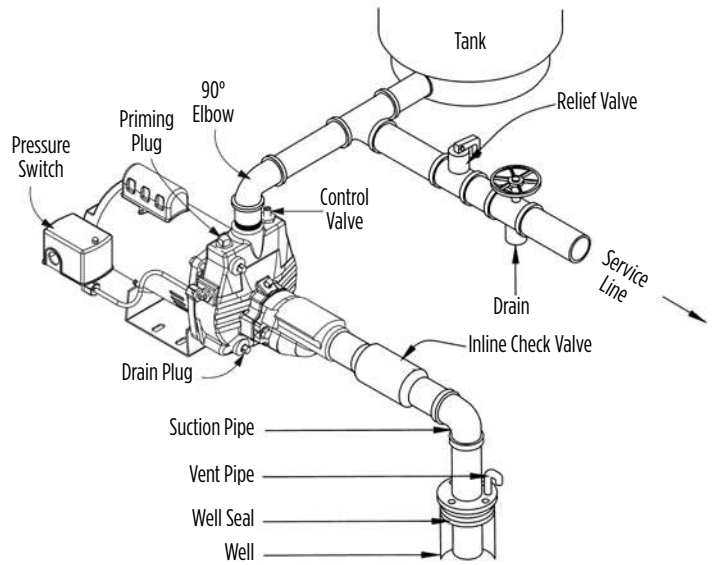


Fig. 9b - SHALLOW WELL
(with inline check valve)

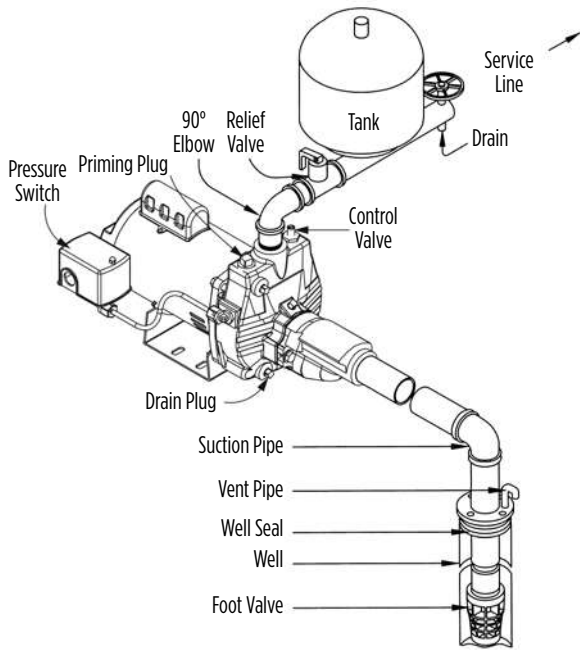


Fig. 9c - SHALLOW WELL INLINE TANK
(with foot valve)

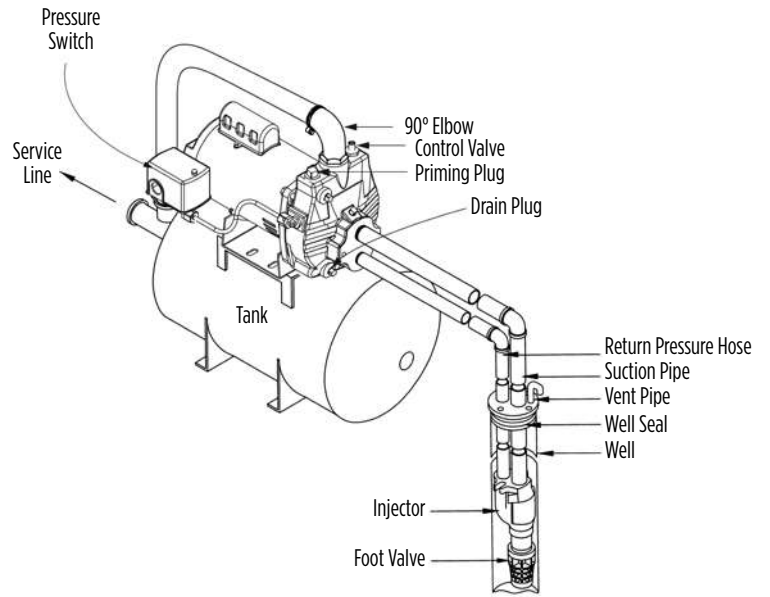


Fig. 9d - SHALLOW WELL TANK MOUNTED SYSTEM
(with foot valve)

WIRING INSTRUCTIONS

⚠ WARNING ELECTRICAL PRECAUTIONS

All wiring, electrical connections, and system grounding must comply with the National Electrical Code (NEC) and with any local codes and ordinances. Employ a licensed electrician.

⚠ WARNING RISK OF ELECTRICAL SHOCK

Before servicing motor operated equipment, shut off the power at the main electrical panel and disconnect the power supply from motor and accessories. Use safe working practices during servicing of equipment.

Wiring

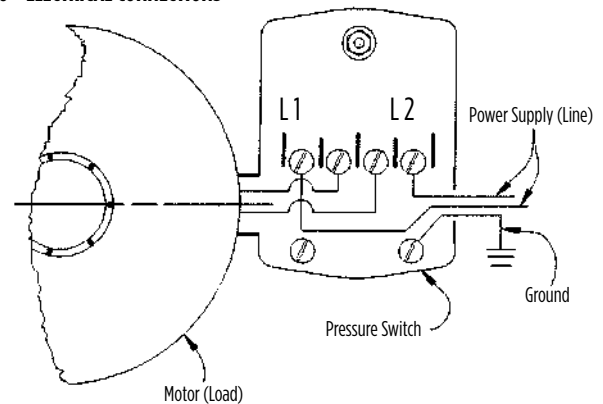
An electrician should be employed to do the wiring and connect the electrical service to the pump. The pressure switch is wired to the motor at the factory and the voltage for which the motor is wired is indicated by the voltage change device which is found under the wiring access cover located on the back of the pump. Make sure the motor is wired for the same voltage as the power supply. Refer to the inside of the wiring access cover or this manual for voltage changing instructions. The power lines should be connected to the pressure switch terminals marked "line" (Fig. 10). It is recommended that a separate circuit be led from the distribution panel to the pump unit. A ground fault interrupter (GFI) protected circuit should be used for all electrical devices operating near water. Install a properly fused disconnect switch in the line and make certain the wiring is adequately sized and well insulated. **Undersized wire between the motor and the power source will adversely limit the starting and load carrying abilities of the motor.** Minimum wire sizes for motor branch circuits are recommended (see Table 2). For added safety, the pump and motor should be grounded to the well casing if metal or the ground in the distribution panel.

Table 2 - MAXIMUM WIRE LENGTH

MOTOR		WIRE GAUGE (AWG)				
HP	Volts	25 ft (8 m)	50 ft (15 m)	100 ft (30 m)	150 ft (46 m)	200 ft (61 m)
1/2	115	14	14	12	10	8
	230	14	14	14	14	14
3/4	115	14	14	10	8	8
	230	14	14	14	14	12

Based on an approximate 3% voltage drop.

Fig.10 - ELECTRICAL CONNECTIONS



PRIMING THE PUMP

⚠ WARNING DO NOT RUN THE PUMP BEFORE PRIMING IT; THE SEAL AND IMPELLER COULD BE PERMANENTLY DAMAGED.

NOTE: You will need enough water to fill the suction line(s) and casing. Priming time depends on the distance from the water source to the pump (5-15 minutes).

SINGLE PIPE INSTALLATION (SHALLOW WELL APPLICATION)

Using an in-line check valve

1. Open the discharge valve on service line and nearby tap to monitor water flow.
2. With a wrench, remove the vent plug and priming plug.
3. Fully open the control valve (counter-clockwise rotation).
4. Pour clean water through the priming plug opening until water starts flowing out of the vent hole.
5. Reinstall the vent plug, tighten loosely with a wrench.
6. Continue filling the pump until water flows out of the priming hole.
7. Reinstall the priming plug, hand tighten.
8. Start the pump. If a tap is visible, you may see a short discharge of water that will last 5-10 seconds.
9. Run the pump for 2 minutes and then shut it off. Remove the vent plug and priming plug.
10. You have completed the first priming cycle, consisting of steps 4 to 9. This process will have to be repeated from 2 to 6 times, depending on the length of your suction line. (Approximately one priming cycle for every 5 ft [1.5 m] of suction line.) You will know when to stop because the pump will begin to pump water continuously.
11. Once the pump begins pumping water continuously, firmly tighten the vent plug and priming plug with a wrench.
12. If the pump does not draw water within 8 tries, shut it off and check the suction line for leaks.

Using a foot valve

1. Open the discharge valve on the service line and nearby tap to monitor water flow.
2. With a wrench, remove the vent plug and priming plug.
3. Fully open the control valve (counter-clockwise rotation).
4. Pour clean water through the priming plug opening until the suction line is full and water starts flowing out of the vent plug hole. You will need approximately 1 quart (1 liter) of water for every 3 ft (1 m) of suction line.

NOTE: If you are unable to fill the suction line, please follow the directions for an in-line check valve.

5. Reinstall the vent plug, tighten loosely with a wrench.
6. Continue filling the pump until water flows out of the priming hole.
7. Reinstall the priming plug, hand tighten.
8. Start the pump. If the pump is primed correctly it should start pumping water immediately.
9. If within 2 minutes water is not being pumped continuously, stop the pump. Remove the vent plug and priming plug. Repeat steps 4 through 9. If this does not work, stop the pump and check the suction line for leaks.
10. Once the pump begins pumping water continuously, firmly tighten the vent plug and priming plug with a wrench.

DOUBLE PIPE INSTALLATION (DEEP WELL APPLICATION)

Priming and setting the discharge control valve

1. Open the discharge valve on the service line and nearby tap to monitor water flow.
2. With a wrench, remove the vent plug and priming plug.
3. Pour clean water through priming plug opening until the suction line is full and water starts flowing out of the vent plug hole. You will need approximately 2 quarts (2 liters) of water for every 3 ft (1 m) of suction line.
4. Reinstall the vent plug, tighten loosely with a wrench.
5. Continue filling the pump until water flows out of the priming hole.
6. Reinstall the priming plug, hand tighten.
7. Close the control valve (clockwise rotation).
8. Start the pump. If the pump is properly primed, pressure will build up immediately.
9. Open the control valve slowly until the pump delivers maximum capacity as observed from an open tap nearest the pump.
10. Observe the pressure gauge on the pump case while the pump is pumping and continue to adjust the control valve so that the pressure gauge reads approximately 25 psi and flow and pressure are stable.
11. Once the pump begins pumping water continuously, firmly tighten the vent plug and priming plug with a wrench.

MAINTENANCE

⚠ WARNING RISK OF ELECTRICAL SHOCK

Before servicing motor-operated equipment, shut off the power at the main electrical panel and disconnect the power supply from motor and accessories. Use safe working practices during servicing of equipment.

Perform Inspections Monthly

1. Ensure pump is still securely bolted to the foundation.
2. To avoid any fire hazards, ensure that there is adequate clearance from any combustible materials, shelving or cabinets. Ensure there are no leaves or debris near the pump.
3. Ensure that the motor is securely wired into a proper GFCI-protected circuit. Test the GFCI periodically by pressing the test switch when the pump is operating. This should shut off the pump. If the GFCI does not shut the pump off, have an electrician replace the GFCI as soon as possible. Remember to reset the GFCI by pressing the reset switch.
4. Look for any signs of leaks in pipes. Replace or repair, if necessary.
5. Clean the exterior of the pump, if needed, with a solution of vinegar and water.

Draining

Should the unit be subject to freezing, it will be necessary to drain the pump and tank. To do this, shut off the power to the pump at the main electrical panel. Open a tap in the water system to release the pressure. Remove the drain and priming plugs from the pump casing. Remove the pressure tank drain plug (if so equipped). Allow ample time for the system to drain before reinstalling the plugs.

Lubrication

The pump requires none.

REPLACING MECHANICAL SEAL (See Fig. 11)

Only duly qualified persons should perform maintenance on electrical and/or mechanical devices.

Disassembly:

1. Shut off the power to the pump at the main service panel.
2. Open a tap in the water system to release the pressure.
3. Remove the drain (12) and prime plugs to allow the pump to drain.
4. Disconnect the tube leading to the pressure switch.
5. Remove the 4 bolts (1) and remove casing (2).
6. Pry the diffuser (4) out of the casing using two slotted screwdrivers for leverage.
7. If the impeller cannot be turned by hand, insert a flat object into the impeller vane (5).
8. Slip the rotating seal (7) off the shaft and remove the seal plate (8).
9. Remove the ceramic seal seat (9) from the seal plate.

Reassembly:

1. Clean all the parts thoroughly before assembling.
2. Lightly lubricate (soapy water) the rubber cap on the ceramic seal (9) and push it into the seal plate using thumbs only. Make sure the smooth surface of the ceramic seat faces outwards.
NOTE: If the pump will remain out of service for longer than one week, the seal components must be installed dry (no lubrication).
3. Put the seal plate back on the motor.
4. Lubricate the rotating seal (7) (soapy water) and slip it onto the shaft with the 'carbon' ring towards the ceramic seat.
5. Replace the impeller (6) and the diffuser (4).
6. Replace the casing (2) making sure the gasket is not damaged and is in place.
7. Reconnect the tubes to the casing and to the pressure switch.
8. Reconnect the power.
9. Prime the pump, start, check for leaks.

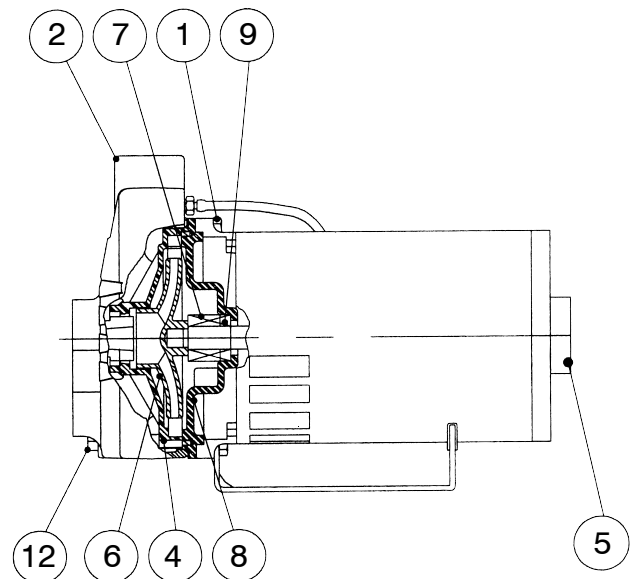


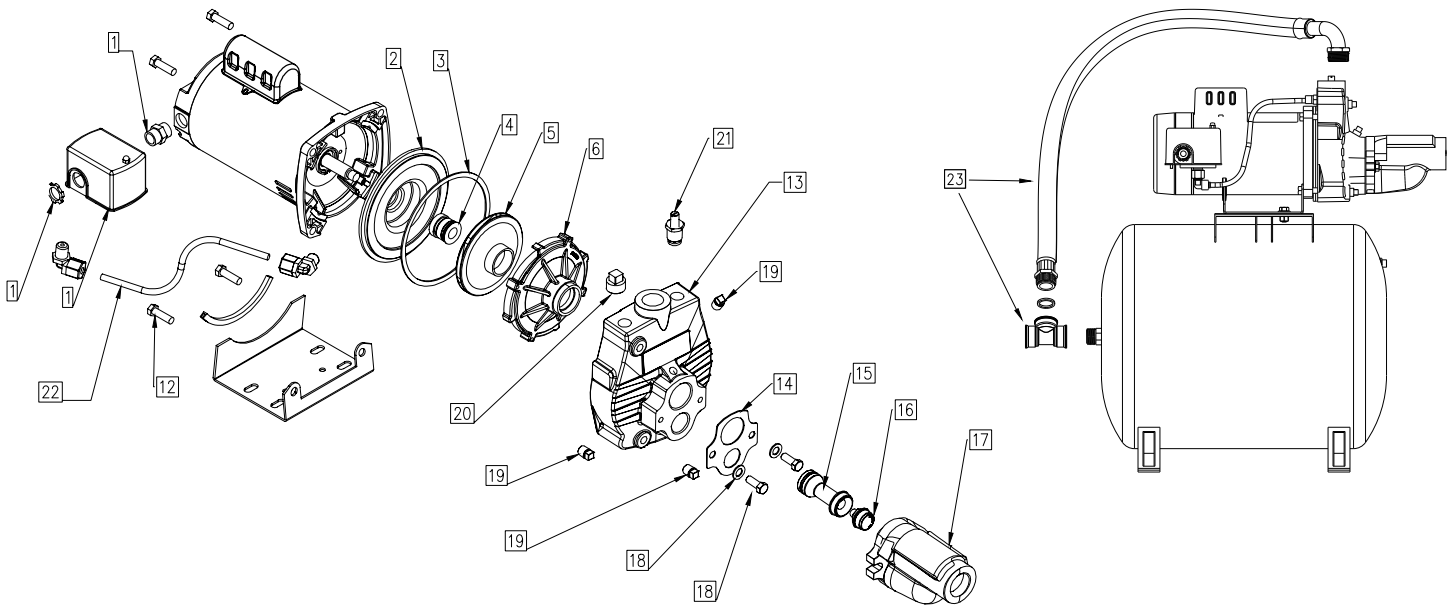
Fig. 11

TROUBLESHOOTING

PROBLEM	CORRECTIVE ACTION
Motor will not start	No power to pressure switch due to blown fuses, open switches or loose connections.
	Pump pressure switch not closed.
Pump fails to deliver water	Pump not completely primed.
	Suction lift is too great.
	Foot valve is either not submerged, buried in the mud or plugged.
	Restrictor valve is fully closed.
Pump loses prime	Air leaks in suction line.
	Well draws down too far and requires a tailpipe.
	Faulty foot valve.
For well point installations where pump is losing pressure or unable to prime	Have an electrician install a low pressure cut-off switch to shut down the pump prior to critical failure.
	Install or adjust a restrictor valve to offset available capacity.
	Add a larger tank (20 gallon or larger) for additional capacity.

PROBLEM	CORRECTIVE ACTION
Pump delivers water but not at rated capacity	Leaks in suction or discharge line.
	Foot valve, suction line, impeller or nozzle are partially plugged.
	Suction lift is greater than recommended.
	Improper setting of control valve on deep well units.
	Improper impeller rotation or low speed.
	Venturi or diffuser is plugged.
	Motor is wired for improper voltage.
	Low line voltage at motor.
	Filtration cartridge (if used) needs changing or is not installed properly.
	Pump starts and stops too often
Air leaks in tank above the water level.	
Incorrect setting on pressure switch.	
Tank is water logged or incorrectly charged.	
Foot valve leaks or is stuck open.	
Can't remove plugs	Use socket and ratchet instead of open style wrench. See PLUG DESCRIPTIONS AND SOCKET SIZES.

REPLACEMENT PARTS



Item	Contents	Item Description	Where Used	
305584002	2	Seal Plate Kit	RJC-50-PREM	RJC-75-PREM
305584009	3, 5, 6	Impeller/Diffuser Kit	RJC-50-PREM	
305584010	3, 5, 6	Impeller/Diffuser Kit	RJC-75-PREM	
305584012	3, 4	Shaft Seal Kit	RJC-50-PREM	RJC-75-PREM
305584014	1, 22	Pressure Switch Kit	RJC-50-PREM	RJC-75-PREM
305584024	22	Tube Kit	RJC-50-PREM	RJC-75-PREM
305584015	13	Case Kit	RJC-50-PREM	RJC-75-PREM
305584016	14, 15, 16	Nozzle/Venturi Kit	RJC-50-PREM	RJC-75-PREM
305584019	3, 4, 5, 6, 14, 15, 16	Overhaul Kit	RJC-50-PREM	
305584020	3, 4, 5, 6, 14, 15, 16	Overhaul Kit	RJC-75-PREM	
305584022	3, 12, 14, 18, 19, 20, 21	Gasket/Hardware Kit	RJC-50-PREM	RJC-75-PREM
305584023	17	Injector Housing Kit	RJC-50-PREM	RJC-75-PREM
640005	23	Pump/Tank Hardware Kit	RJC-50/RL6H	RJC-50/RL14H

LIMITED WARRANTY

For warranty consideration, the Red Lion® Brand (hereafter “the Brand”) warrants that the products specified in this warranty are free from defects in material or workmanship of the Brand. During the time periods and subject to the terms and conditions hereinafter set forth, the Brand will repair or replace to the original user or consumer any portion of this product which proves defective due to materials or workmanship of the Brand. At all times the Brand shall have and possess the sole right and option to determine whether to repair or replace defective equipment, parts, or components. The Brand has the option to inspect any product returned under warranty to confirm that the warranty applies before repair or replacement under warranty is approved. This warranty sets forth the Brand’s sole obligation and purchaser’s exclusive remedy for defective product. Return defective product to the place of purchase for warranty consideration.

WARRANTY PERIOD - PRODUCTS: 36 months from date of purchase by the user (No warranty on brushes, impeller or cam on models with brush-type motors and/or flex-vane impellers). In the absence of suitable proof of the purchase date, the effective period of this warranty will begin on the product’s date of manufacture.

LABOR, ETC. COSTS: The Brand shall IN NO EVENT be responsible or liable for the cost of field labor or other charges incurred by any customer in removing and/or affixing any product, part or component thereof.

PRODUCT IMPROVEMENTS: The Brand reserves the right to change or improve its products or any portions thereof without being obligated to provide such a change or improvement for units sold and/or shipped prior to such change or improvement.

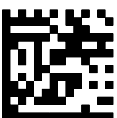
GENERAL TERMS AND CONDITIONS: This warranty shall not apply to damage due to acts of God, normal wear and tear, normal maintenance services and the parts used in connection with such service, lightning or conditions beyond the control of the Brand, nor shall it apply to products which, in the sole judgment of the Brand, have been subject to negligence, abuse, accident, misapplication, tampering, alteration; nor due to improper installation, operation, maintenance or storage; nor to excess of recommended maximums as set forth in the instructions.

Warranty will be VOID if any of the following conditions are found:

1. Product is used for purposes other than those for which it was designed and manufactured
2. Product not installed in accordance with applicable codes, ordinances and good trade practices
3. Product connected to voltage other than indicated on nameplate
4. Pump used to circulate anything other than fresh water at approximately room temperature
5. Pump allowed to operate dry (fluid supply cut off)
6. Sealed motor housing opened or product dismantled by customer

DISCLAIMER: Any oral statements about the product made by the seller, the Brand, the representatives or any other parties, do not constitute warranties, shall not be relied upon by the user, and are not part of the contract for sale. Seller’s and the Brand’s only obligation, and buyer’s only remedy, shall be the replacement and/or repair by the Brand of the product as described above. NEITHER SELLER NOR THE BRAND SHALL BE LIABLE FOR ANY INJURY, LOSS OR DAMAGE, DIRECT, INCIDENTAL OR CONSEQUENTIAL (INCLUDING, BUT NOT LIMITED TO, INCIDENTAL OR CONSEQUENTIAL DAMAGES FOR LOST PROFITS, LOST SALES, INJURY TO PERSON OR PROPERTY, OR ANY OTHER INCIDENTAL OR CONSEQUENTIAL LOSS), ARISING OUT OF THE USE OR THE INABILITY TO USE THE PRODUCT, AND THE USER AGREES THAT NO OTHER REMEDY SHALL BE AVAILABLE TO IT. Before using, the user shall determine the suitability of the product for his intended use, and user assumes all risk and liability whatsoever in connection therewith. THE WARRANTY AND REMEDY DESCRIBED IN THIS LIMITED WARRANTY IS AN EXCLUSIVE WARRANTY AND REMEDY AND IS IN LIEU OF ANY OTHER WARRANTY OR REMEDY, EXPRESSED OR IMPLIED, WHICH OTHER WARRANTIES AND REMEDIES ARE HEREBY EXPRESSLY EXCLUDED, INCLUDING BUT NOT LIMITED TO ANY IMPLIED WARRANTY OF MERCHANTABILITY OR FITNESS FOR A PARTICULAR PURPOSE, TO THE EXTENT EITHER APPLIES TO A PRODUCT SHALL BE LIMITED IN DURATION TO THE PERIODS OF THE EXPRESSED WARRANTIES GIVEN ABOVE. Some states and countries do not allow the exclusion or limitations on how long an implied warranty lasts or the exclusion or limitation of incidental or consequential damages, so the above exclusion or limitations may not apply to you. This warranty gives you specific legal rights, and you may also have other rights which vary from state to state and country to country.

**For technical assistance, parts, or repair, please
contact.... 1.888.885.9254 | www.redlionproducts.com**



106905103
Rev. 001
06/17



RED LION®