



# SERVICE PARTS LIST

## MAIN BODY ASSEMBLIES & ACCESSORIES

BULLETIN NO.  
54-07-2780

SPECIFY CATALOG NO. AND SERIAL NO. WHEN ORDERING PARTS		REVISED BULLETIN	DATE
M18™ DRAIN SNAKE WITH CABLE-DRIVE™ LOCKING FEED SYSTEM			Apr. 2018
CATALOG NO.	2772-20	SERIAL NUMBER	H81A
WIRING INSTRUCTION			

**EXAMPLE:**  
00 0 Component Parts (Small #) Are Included  
When Ordering The Assembly (Large #).

### Cables & Attachment Head Accessories

- 48-53-2772 5/16" x 75' Inner Core Drop Head Cable
- 48-53-2773 3/8" x 50' Inner Core Coupling Cable
- 48-53-2774 1/2" x 50' Inner Core Coupling Cable
- 48-53-2775 5/8" x 50' Open Wind Coupling Cable
- 48-53-2681 Small Bulb Head
- 48-53-2682 Small Drop Head
- 48-53-2683 1" Spade Bit
- 48-53-2684 1" C-Cutter
- 48-53-2685 5 Piece Small Drain Line Kit
- 48-53-2786 Medium Bulb Head
- 48-53-2787 Medium Drop Head
- 48-53-2788 1-1/2" Spade Bit
- 48-53-2789 1-1/2" C-Cutter
- 48-53-2790 5 Piece Medium Drain Line Kit

### SERVICE TABLE OF CONTENTS

Page 1	Main Body Assemblies & Accessories
Page 2	Front Handle Assemblies
Page 3	Bucket Assemblies

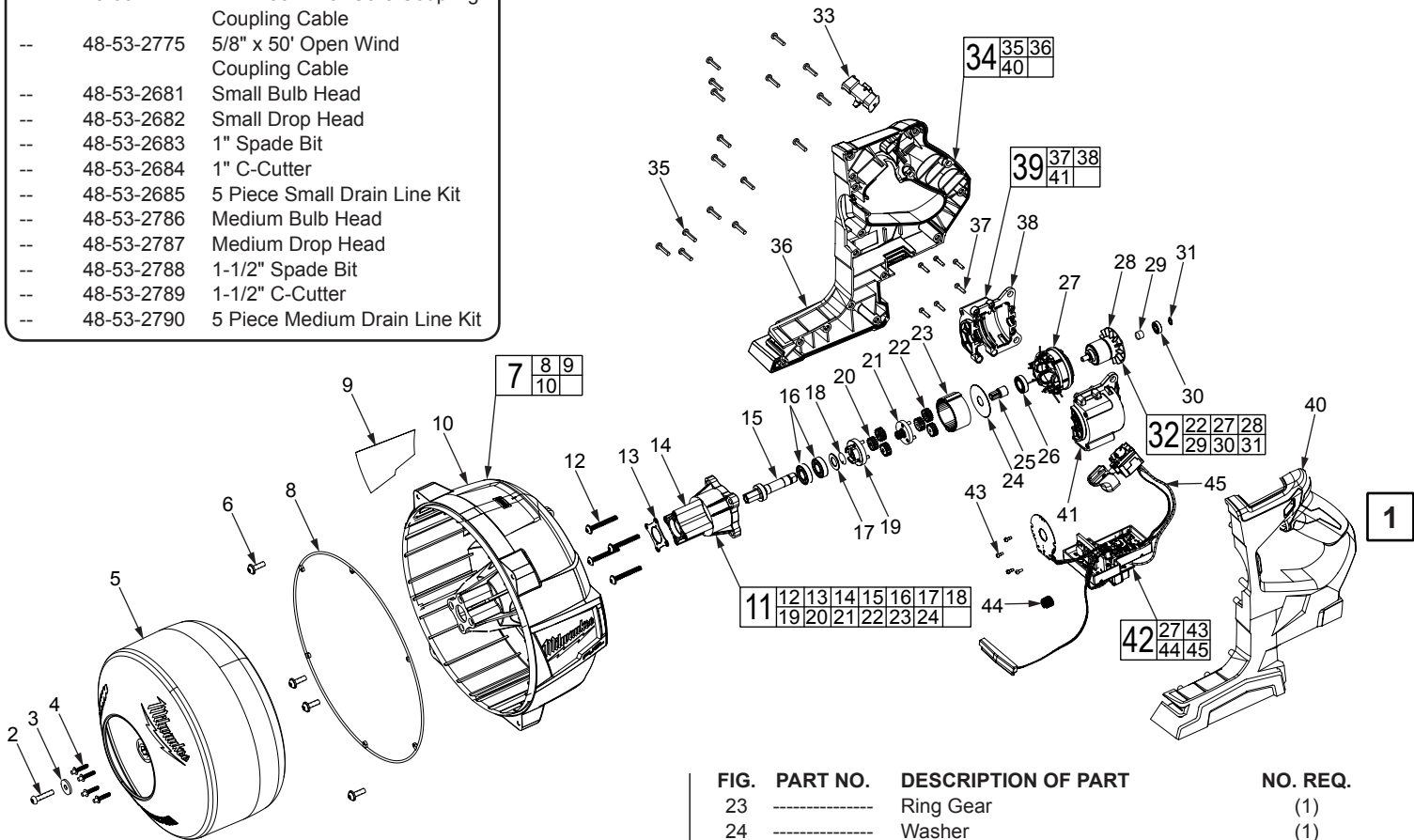


FIG.	PART NO.	DESCRIPTION OF PART	NO. REQ.
2	05-74-0015	M5 x 0.8 Screw	(1)
3	45-88-2045	Flat Washer	(1)
4	05-70-0010	M4 x 16 Screw	(4)
5	43-11-0020	Cable Drum	(1)
6	05-81-0060	M5 x 0.8 Screw	(4)
7	31-55-0012	Drum Shroud Assembly	(1)
8	43-44-0017	Seal Ring	(1)
9	12-20-0099	Service Nameplate	(1)
10	-----	Drum Shroud	(1)
11	14-30-0025	Gear Case Assembly	(1)
12	-----	M5 x 2 Screw	(4)
13	-----	Flat Washer	(1)
14	-----	Gear Case	(1)
15	-----	Output Shaft	(1)
16	-----	Ball Bearing	(2)
17	-----	Flat Washer	(1)
18	-----	Retaining Ring	(1)
19	-----	Carrier	(1)
20	-----	2nd Planet Gear	(3)
21	-----	Sun Gear	(1)
22	-----	1st Planet Gear	(3)

FIG.	PART NO.	DESCRIPTION OF PART	NO. REQ.
23	-----	Ring Gear	(1)
24	-----	Washer	(1)
25	-----	Motor Pinion	(1)
26	-----	Ball Bearing	(1)
27	-----	Motor Field	(1)
28	-----	Motor Armature	(1)
29	-----	Rear Bearing Washer	(1)
30	-----	Ball Bearing	(1)
31	-----	Retaining Ring	(1)
32	16-10-0030	Armature Assembly	(1)
33	42-42-0051	Forward/Reverse/Lock Off Shuttle	(1)
34	31-44-0100	Housing Kit	(1)
35	-----	6-19 x 11/16" Pan Hd. Taptite T15 Screw	(24)
36	-----	Right Handle	(1)
37	-----	Screw	(6)
38	-----	Right Motor Cage	(1)
39	14-50-0033	Motor Field Assembly	(1)
40	-----	Left Handle	(1)
41	-----	Left Motor Cage	(1)
42	14-20-0030	PCBA Assembly	(1)
43	-----	M2 x 1 Screw	(4)
44	-----	Latch Spring	(1)
45	-----	PCBA	(1)

MILWAUKEE ELECTRIC TOOL CORPORATION  
13135 W. LISBON RD., BROOKFIELD, WI 53005  
Dwg. 2

**FRONT HANDLE ASSEMBLIES**

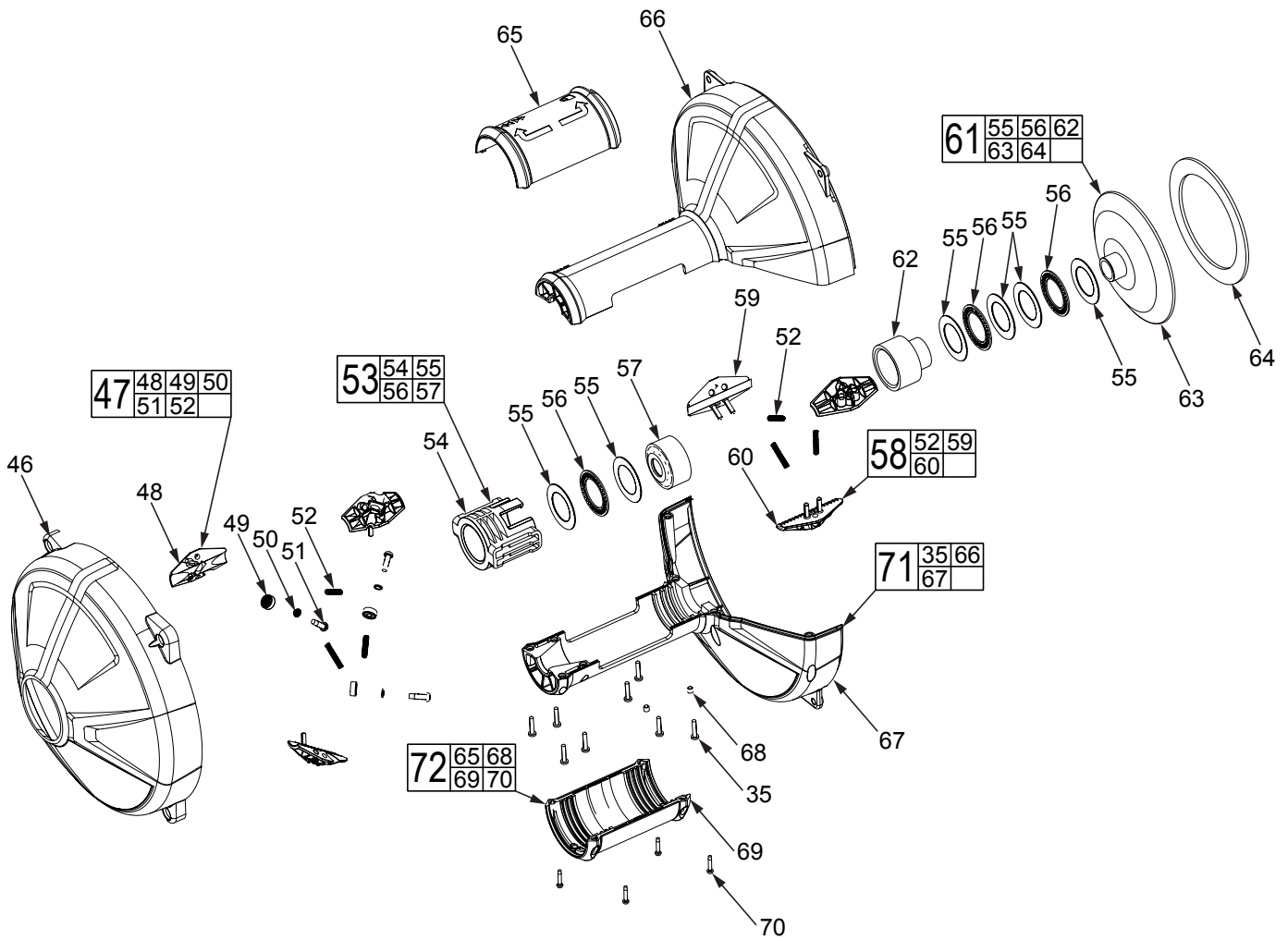


FIG.	PART NO.	DESCRIPTION OF PART	NO. REQ.	FIG.	PART NO.	DESCRIPTION OF PART	NO. REQ.
46	43-86-0016	Rubber Boot	(1)	60	-----	Lock Collet	(2)
47	42-77-0075	Collet Kit (Set of 3)	(1)	61	42-77-0085	Cable Funnel Assembly	(1)
48	-----	Collet	(3)	62	-----	Lock Collet Ramp	(1)
49	-----	Ball Bearing	(3)	63	-----	Cable Funnel	(1)
50	-----	Flat Washer	(3)	64	-----	Gasket	(1)
51	-----	8-16 x 5/8" Pan Hd. ST T20 Screw	(3)	65	-----	Twist Lock Upper Handle	(1)
52	-----	Spring	(6)	66	-----	Left Shroud Cover	(1)
53	31-15-0056	Lock Slide Assembly	(1)	67	-----	Right Shroud Cover w/ Cover Seal	(1)
54	-----	Lock Slide	(1)	68	-----	Nut	(2)
55	-----	Flat Washer	(6)	69	-----	Twist Lock Lower Handle	(1)
56	-----	Bearing	(3)	70	-----	M3 x 16 Screw	(4)
57	-----	Lock Slide Ramp	(1)	71	31-15-0070	Shroud Cover Kit	(1)
58	42-77-0080	Lock Collet Kit	(1)	72	31-15-0066	Twist Lock Kit	(1)
59	-----	Flat Spring Lock Collet	(1)				

**BUCKET ASSEMBLIES**

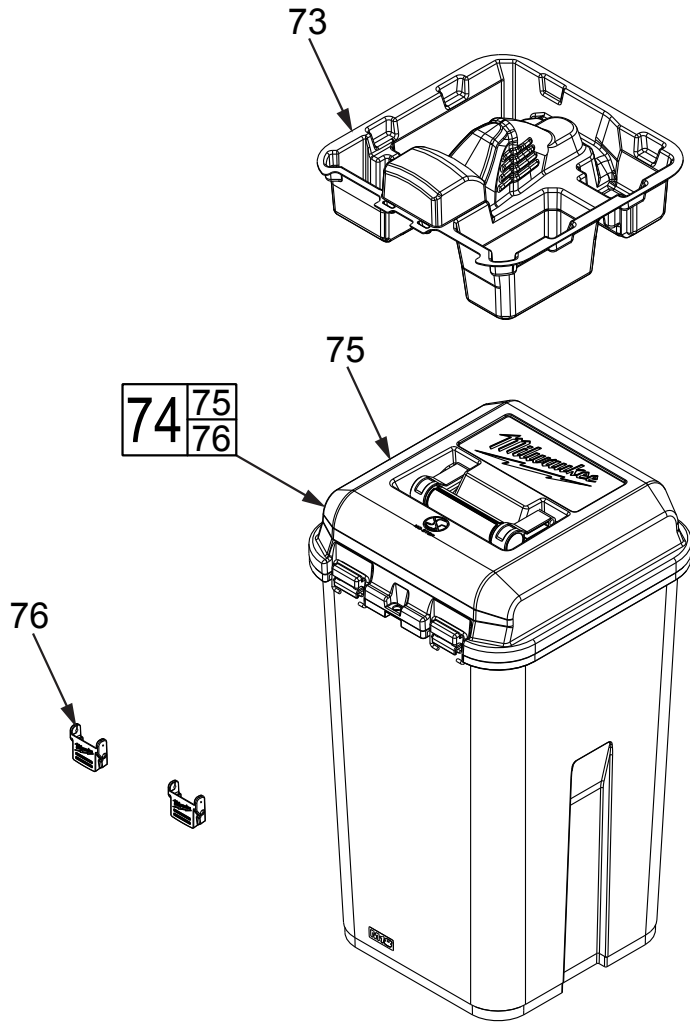


FIG.	PART NO.	DESCRIPTION OF PART	NO. REQ.	FIG.	PART NO.	DESCRIPTION OF PART	NO. REQ.
73	31-42-0021	Top Bucket Tray	(1)	75	-----	Bucket	(1)
74	42-51-0020	Bucket Assembly (minus tray)	(1)	76	44-20-1015	Latch	(2)