

MS446124CUM(G), MS446234CUMG, MW4463046CUMG(A) & MW4463056CUMG(A)

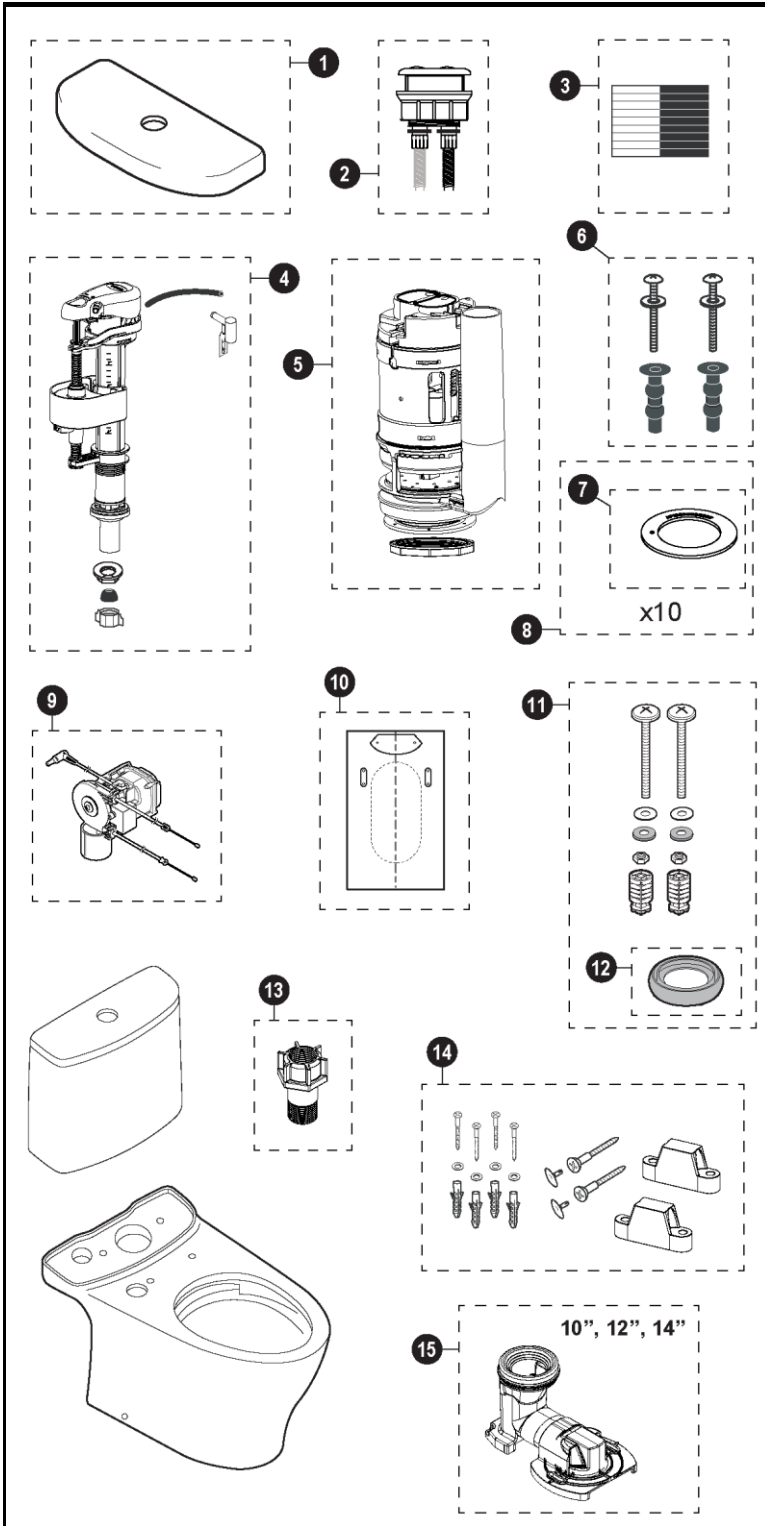
MS446124CUM(G)
CT446CU(G)T40
ST446UMA
SS124

MS446234CUMG
CT446CUGT40
ST446UMA
SS234

MW4463046CUMG(A)
CT446CUGT40
ST446UMA
SW3046AT40

MW4463056CUMG(A)
CT446CUGT40
ST446UMA
SW3056AT40

Aquia® IV 1G WASHLET®+ 1.0 & 0.8 Gpf Toilet, Elongated, Regular Height DYNAMAX TORNADO FLUSH®, Unifit Rough-in, (including CEFIONTECT® & Auto Flush)



Item	Part	Description
1	TCU446CRU#01 TCU446CRU#03 TCU446CRU#11 TCU446CRU#12 TCU446CRU#51	Tank Lid - Cotton Tank Lid - Bone Tank Lid - Colonial White Tank Lid - Sedone Beige Tank Lid - Ebony
2	THU735#01-A THU735#BN-A THU735#CP-A THU735#PN-A	Push Button Assembly - Cotton Push Button Assembly - Brushed Nickel Push Button Assembly - Chrome Plated Push Button Assembly - Polished Nickel
3	THU107	Velcro Tape
4	TSU83.07-A	Fill Valve
5	THU737R-A	Flush Valve Assembly, 1.28gpf
6	THU651N	Seat Top Mounting Hardware
7	9BU112E-A	Seal Gasket for Flush Valve (1 piece)
8	THU744	Seal Gasket for Flush Valve (10pieces)
9	THU765	Auto Flush unit for Dual Flush
10	0GU181-A 0GU182-A	12" Unifit Rough-in Template 10" & 14" Unifit Rough-in Template
11	THU741-A	Tank to Bowl Mounting Hardware
12	9BU109E-A	Tank to Bowl Gasket
13	9AU321-A	Fill Valve extension adapter
14	THU742#01-A THU742#03-A THU742#12-A THU742#51-A	Toilet Mounting Hardware (for #01 & #11) Toilet Mounting Hardware Toilet Mounting Hardware Toilet Mounting Hardware
15	TSU08W.10 TSU08W.12 TSU08W.14	Unifit Rough-in 10" Unifit Rough-in 12" Unifit Rough-in 14"

Note:

Product Number Explanations		
Two-Piece Toilet	Tank	Bowl
(MS) Toilet & Seat combo	(ST) Tank	(CT) Skirted Bowl
(MW) Toilet & Washlet combo	(446) Tank Model	(446) Bowl Model
(446) Toilet model	(U) 1.0 gpf	(C) DYNAMAX
(C) DYNAMAX TORNADO FLUSH®	(M) Dual Flush	TORNADO FLUSH®
(U) 1.0 gpf	(A) Auto Flush compatible	(G) CEFIONTECT®
(M) Dual Flush		(T40) WASHLET®+
(G) CEFIONTECT®		

Actual Product may vary slightly from illustration.