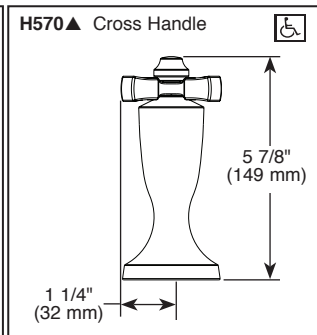
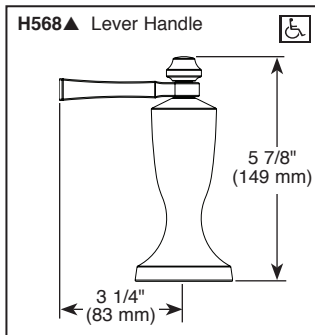
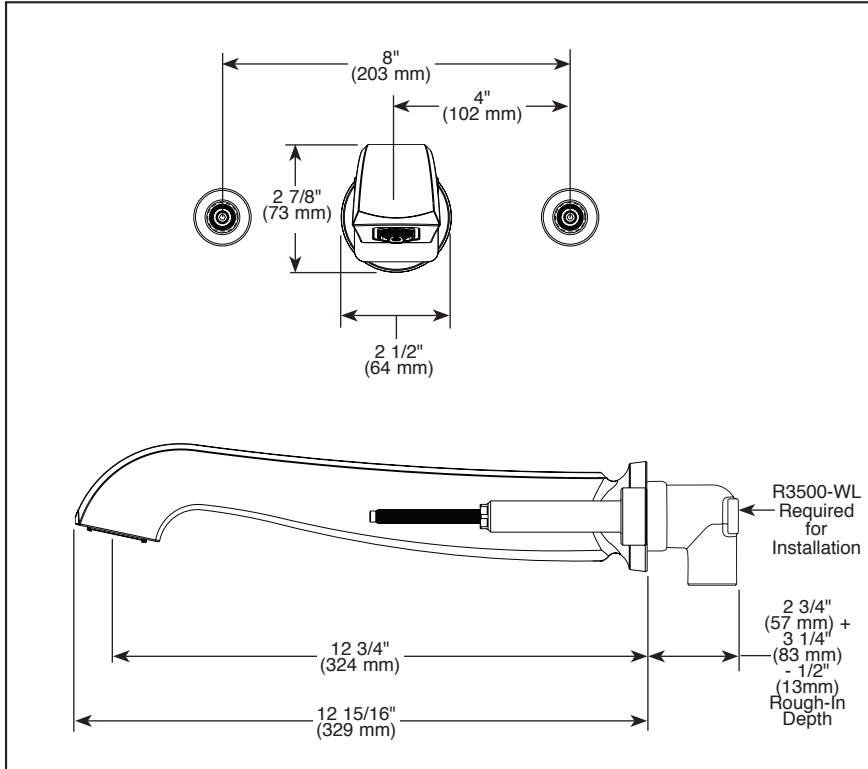


T5756-▲LHP-WL

Submitted Model No.: \_\_\_\_\_

Specific Features: \_\_\_\_\_



▲ Designate proper finish suffix



see what Delta can do™

## WALL MOUNT TUB FILLER

■ Dorval™ Bath Collection

### STANDARD SPECIFICATIONS:

- Three hole wall mount
- Solid brass fabricated body
- 1/4 turn stops
- Accommodates wall thicknesses from 1/8" to 3 3/4"
- Cartridges ship with rough
- 1/2"-14 NPT threaded female inlets
- Rough-In R3500-WL required for installation
- LHP - Less Handle Program. See handle options below.

### WARRANTY

- Parts and Finish - Lifetime limited warranty; or for commercial purchasers, 10 years for multi-family residential (apartments and condominiums) and 5 years for all other commercial uses, in each case from the date of purchase.
- Electronic Parts and Batteries (if applicable) - 5 years from the date of purchase; or for commercial purchasers, 1 year from the date of purchase. No warranty is provided on batteries.

### COMPLIES WITH:

- ASME A112.18.1 / CSA B125.1
- Indicates compliance to ICC/ANSI A117.1
- Verified compliant with .25% weighted average Pb content regulations.