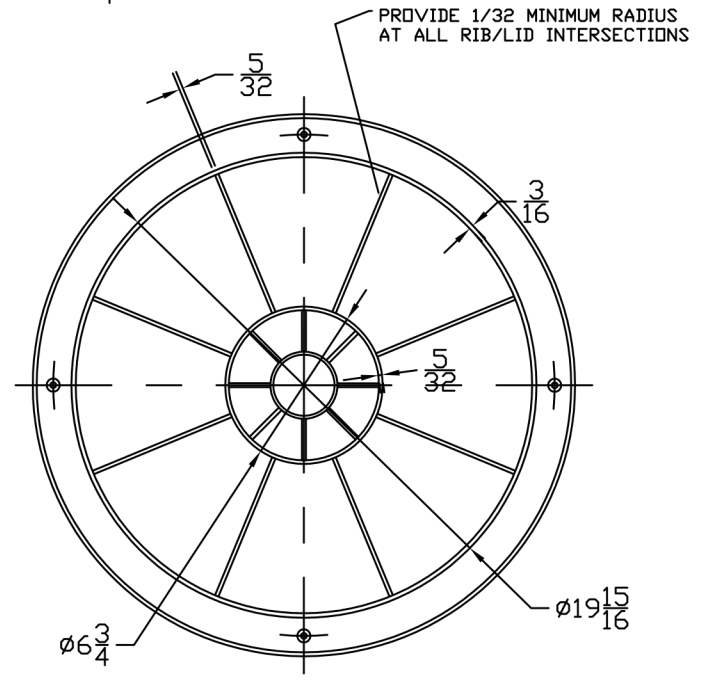
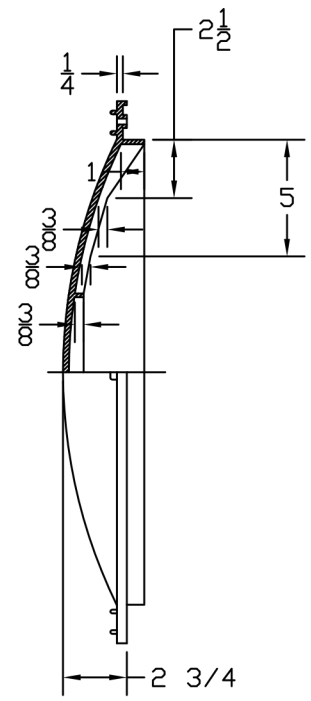
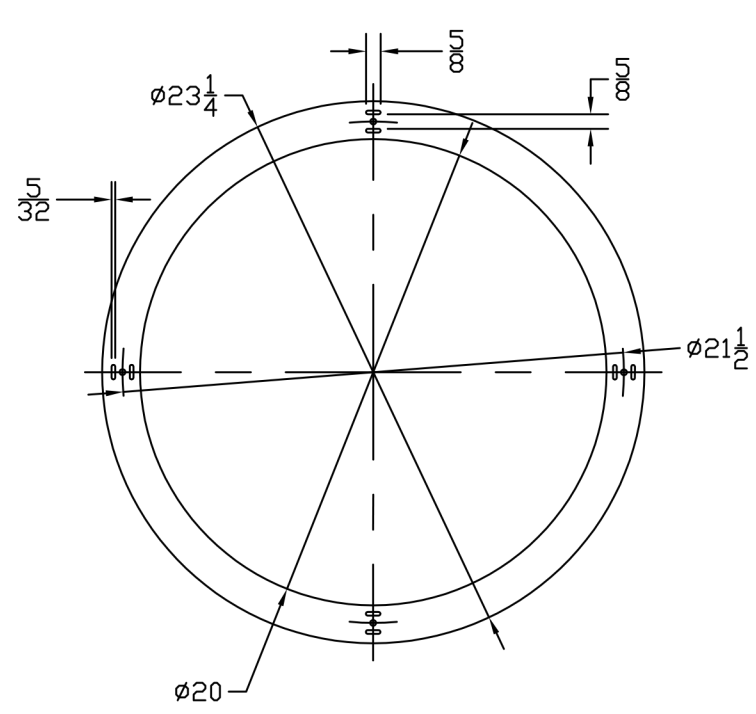
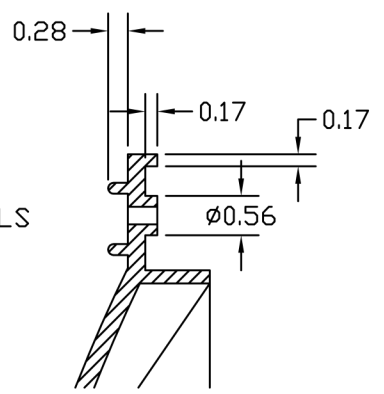


		REVISIONS		
ZONE	REV	DESCRIPTION	DATE	APPROVED
	A	ADDED OD RIB, BOSSES, & RADIUS NOTE		



RIB & BOSS DETAILS
1/2 SCALE



MAT'L: HIGH DENSITY POLYETHYLENE

		 ST. BONIFACIUS, MN DOMED LID			
JTP	17APR01	SIZE B	FSCM NO.	DWG NO. 62408	REV
		SCALE 1/8		SHEET	