

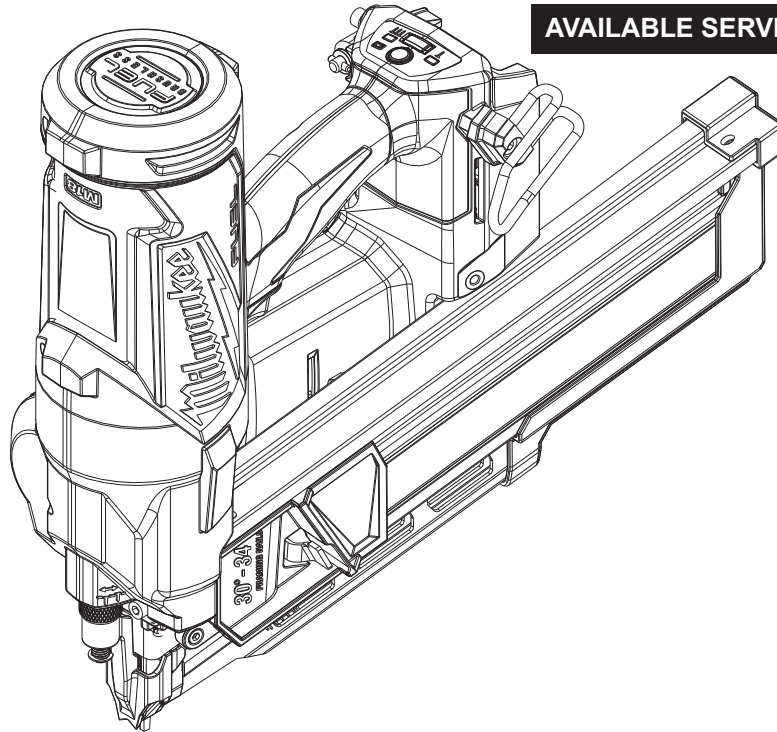


SERVICE PARTS LIST

BULLETIN NO.
54-00-2745

SPECIFY CATALOG NO. AND SERIAL NO. WHEN ORDERING PARTS				REVISED BULLETIN	DATE
M18™ FUEL™ Plastic Collated Framing Nailer					Jan. 2020
CATALOG NUMBER	2745-20	SERIAL NUMBER	K83A	WIRING INSTRUCTION	

AVAILABLE SERVICE PARTS PAGE 2 - 3



Due to the combination of the compressed air system and electronics in this tool, service can only be performed at Milwaukee Authorized Repair Centers:

MILWAUKEE ELECTRIC TOOL Central Repair
1401 Sycamore Avenue • Greenwood, MS 38930-7277
Please send your tool directly to this location for service.

Or

Via e-Service at: www.milwaukeetool.com/e-service
questions, please call 1.800.SAWDUST (1.800.729.3878)

Or

Visit www.milwaukeetool.com to find your closest
Milwaukee authorized Hydraulic repair center

Or

Return it to a MILWAUKEE *factory* Service Center location, freight prepaid and insured.
A copy of the proof of purchase should be included with the return product.

If you have questions please contact Milwaukee Product Service at:

Product Technical Support via phone at: 262.783.8642

Or

Via email at: METProductSupport@milwaukeetool.com

Disassembly is not recommended and could void the warranty.

EXAMPLE:
 Component Parts (Small #) Are Included
 When Ordering The Assembly (Large #).

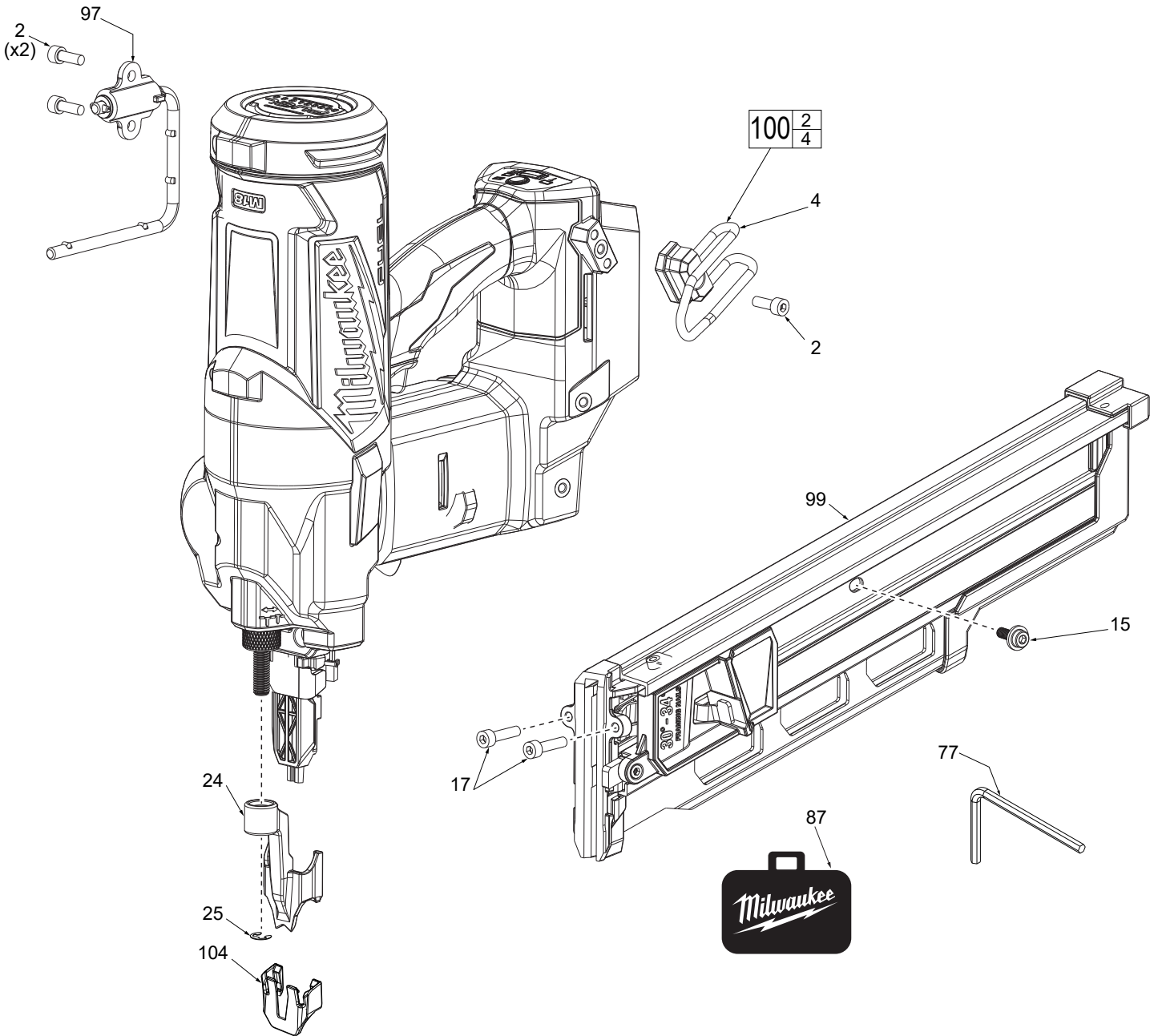
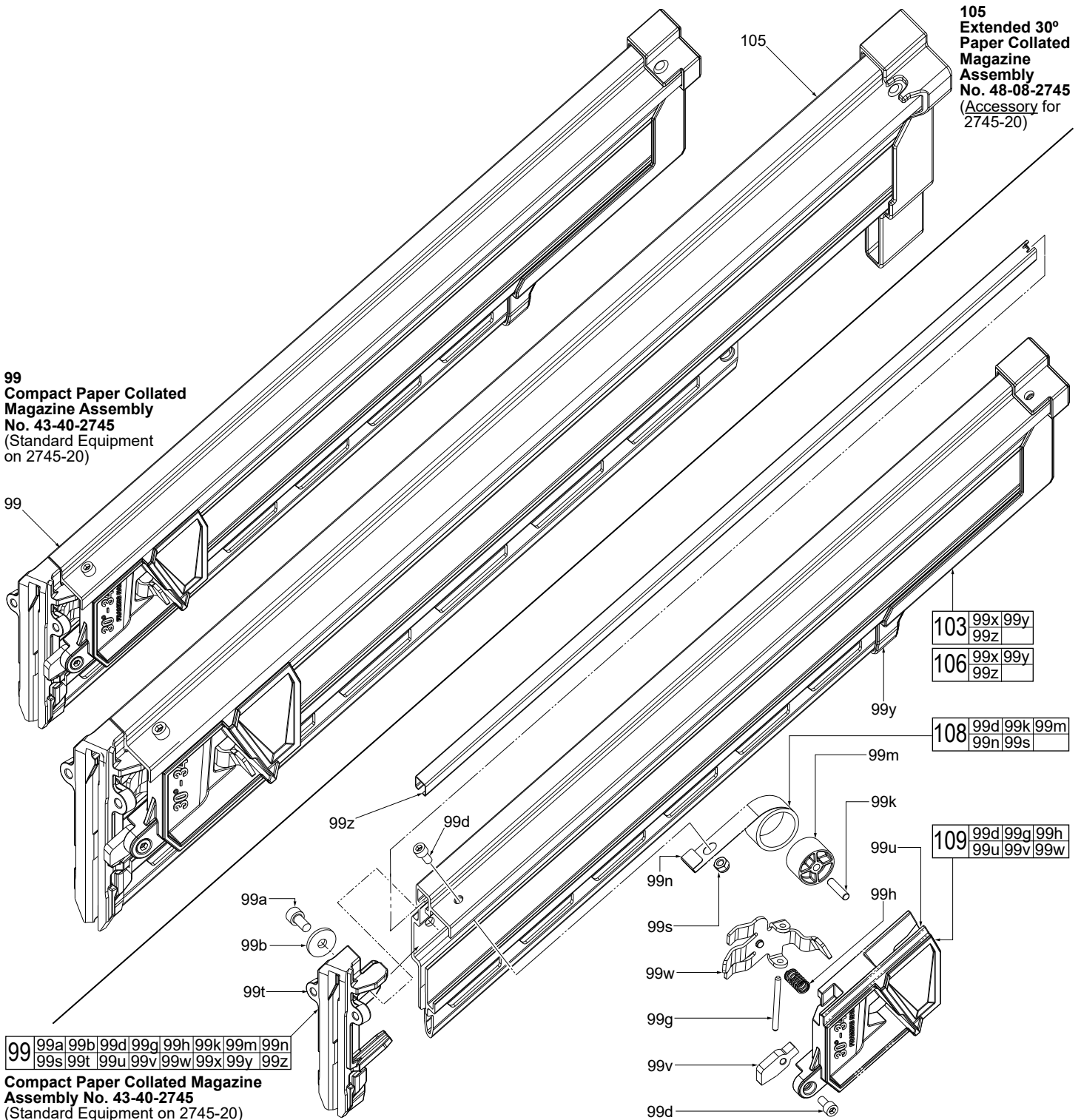


FIG.	PART NO.	DESCRIPTION OF PART	NO. REQ.
2	05-74-0019	M5 x 14mm Cap Hd. Hex Socket Screw	(3)
4	-----	Belt Hook	(1)
15	05-74-0021	M5 x 14mm Flanged Skt. Hd. Mach. Screw	(1)
17	06-75-0062	M5 x 20mm Socket Hex Drive Mach. Screw	(2)
24	44-62-0026	Work Piece Contact Bracket	(1)
25	42-70-0550	E-Retaining Ring	(1)
77	45-96-0024	Allen Wrench	(1)
86	12-20-0220	Service Nameplate (Not Shown)	(1)
87	42-55-0074	Tall FUEL Contractor Bag	(1)
97	14-36-0031	Rafter Hook Assembly	(1)
99	43-40-2745	Magazine Assy. (See page 3 for svc. parts)	(1)
100	42-70-0024	Belt Clip Kit	(1)
104	42-38-0026	No-Mar Pad	(1)

105
Extended 30°
Paper Collated
Magazine
Assembly
No. 48-08-2745
 (Accessory for
 2745-20)

99
Compact Paper Collated
Magazine Assembly
No. 43-40-2745
 (Standard Equipment
 on 2745-20)



99 99a 99b 99d 99g 99h 99k 99m 99n
 99s 99t 99u 99v 99w 99x 99y 99z

Compact Paper Collated Magazine
Assembly No. 43-40-2745
 (Standard Equipment on 2745-20)

103 99x 99y
 99z

106 99x 99y
 99z

108 99d 99k 99m
 99n 99s

109 99d 99g 99h
 99u 99v 99w

FIG.	PART NO.	DESCRIPTION OF PART	NO. REQ.
99	43-40-2745	30°-34° Plastic Collated Magazine Assembly	(1)
99a	-----	M5 x 10mm Cap Hd. Hex Recess Mach. Sc.	(1)
99b	45-88-2045	Flat Washer	(1)
99d	-----	M4 x 8mm Cap Hd. Hex Recess Mach. Sc.	(2)
99g	-----	Slider Pin	(1)
99h	-----	Spring	(1)
99k	-----	Roller Pin	(1)
99m	-----	Roller Wheel	(1)
99n	-----	Constant Force Spring	(1)
99s	-----	Hex Nut	(1)
99t	-----	Feed Lip	(1)

FIG.	PART NO.	DESCRIPTION OF PART	NO. REQ.
99u	-----	Slider	(1)
99v	-----	Lock Out Stopper	(1)
99w	-----	Nail Pusher	(1)
99x	10-20-3202	Warning Label (Not Shown), u/o #99	(1)
99y	10-20-3119	Warning Label (Not Shown), u/o #105	(1)
99y	-----	Magazine Frame Assy. w/ Riveted End Cap	(1)
99z	-----	Nail Guide	(1)
103	43-40-2746	30°-34° Magazine Frame Assembly	(1)
105	48-08-2745	30°-34° Ext. Plastic Collated Magazine Assy.	(1)
106	43-40-2748	30°-34° Extended Magazine Frame Assy.	(1)
108	14-46-0143	Spring Roller Kit	(1)
109	44-70-2745	30°-34° Nail Pusher Assembly	(1)