

**PRODUCT SPECIFICATIONS**

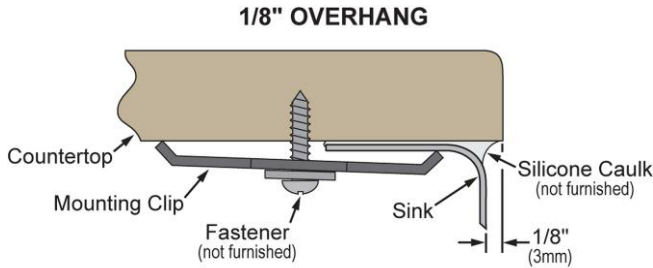
Elkay Crosstown 16 Gauge Stainless Steel 40" x 20-1/2" x 10", Triple Bowl Undermount Sink. Sink is manufactured from 16 gauge 304 Stainless Steel with a Polished Satin finish, Rear Center drain placement, and Sound Guard.

<b>Installation Type:</b>	Undermount
<b>Material:</b>	304 Stainless Steel
<b>Finish:</b>	Polished Satin
<b>Gauge:</b>	16
<b>Sound Deadening:</b>	Sound Guard
<b>Number of Bowls:</b>	3
<b>Sink Dimensions:</b>	40" x 20-1/2" x 10"
<b>Bowl 1 Dimensions:</b>	14" x 18" x 10"
<b>Bowl 2 Dimensions:</b>	7-1/2" x 16" x 6"
<b>Bowl 3 Dimensions:</b>	13-1/2" x 16" x 10"
<b>Drain Size:</b>	3-1/2" (89mm)
<b>Drain Location:</b>	Rear Center
<b>Minimum Cabinet Size:</b>	45"
<b>Mounting Hardware:</b>	Part # 54300008 included
<b>Template Included:</b>	Yes
<b>Cutout Template #:</b>	<a href="#">1000001411</a>

Template is available for download at [elkay.com](#)

**Special Note:** Zero radius sinks feature straight sidewalls and tight corners.

**Installation Profile:**



Designed to affix to the underside of any solid surface countertop.

**OPTIONAL ACCESSORIES**

<b>Bottom Grid:</b>	LKFOBG1418SS (large bowl), LKFOBG1316SS (small bowl)
<b>Cutting Board:</b>	LKCBF1418HW, LKCBF1316HW
<b>Drain:</b>	LK99
<b>Faucet:</b>	LKAV1031, LKAV2031, LKAV3041
<b>Rinsing Basket:</b>	LKFRB1418SS, LKFRB1715SS, LKFRB1316SS, LKWERBSS
<b>Sinkmate:</b>	LKSMHSL
<b>Soap Dispenser:</b>	LKAV3054

PART: \_\_\_\_\_ QTY: \_\_\_\_\_

PROJECT: \_\_\_\_\_

CONTACT: \_\_\_\_\_

DATE: \_\_\_\_\_

NOTES: \_\_\_\_\_

APPROVAL: \_\_\_\_\_



**AMERICAN PRIDE. A LIFETIME TRADITION.**

Like your family, the Elkay family has values and traditions that endure. For almost a century, Elkay has been a family-owned and operated company, providing thousands of jobs that support our families and communities.



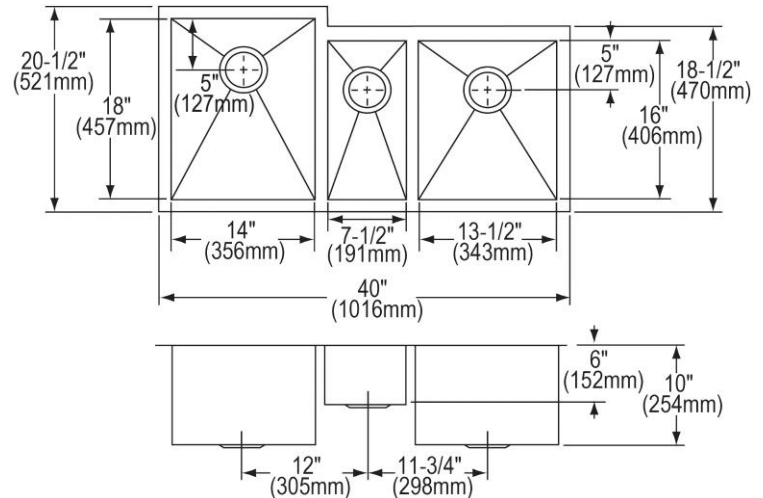
Sinks are listed by IAPMO<sup>®</sup> as meeting the applicable requirements of the Uniform Plumbing Code<sup>®</sup>, International Plumbing Code<sup>®</sup>, and National Plumbing Code of Canada.

**Product Compliance:** ASME A112.19.3/CSA B45.4

[Clean and Care Manual \(PDF\)](#)

[Installation Instructions \(PDF\)](#)

[Limited Lifetime Warranty \(PDF\)](#)



In keeping with our policy of continuing product improvement, Elkay reserves the right to change product specifications without notice. Please visit [elkay.com](#) for the most current version of Elkay product specification sheets. This specification describes an Elkay product with design, quality, and functional benefits to the user. When making a comparison of other producers' offerings, be certain these features are not overlooked.