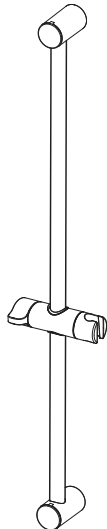
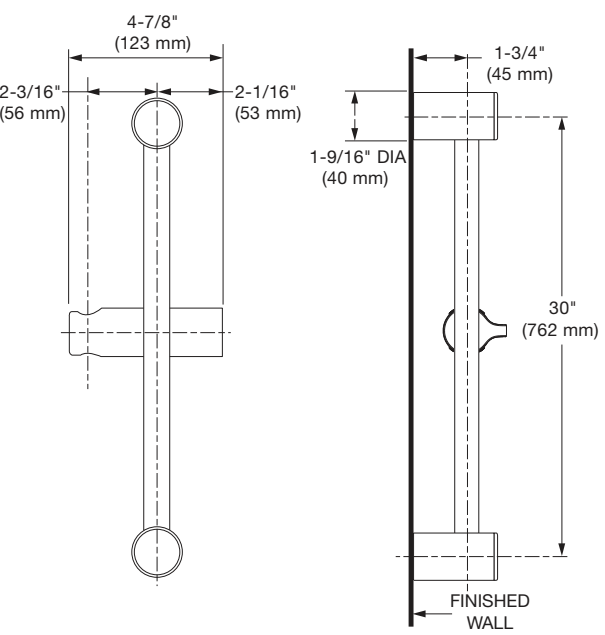



Model #	Description	Finishes	Rough-In Dimensions
<p><b>1660730</b></p> 	<p><b>30" STANDARD SLIDE BAR</b> Adjustable shower holder can be set at any height or position along the bar and angles up to 45 degrees.</p>	<p>.002 Polished Chrome .013 Polished Nickel .295 Brushed Nickel .278 Legacy Bronze .243 Matte Black GN0 Brushed Cool Sunrise</p>	

 Meets the Americans with Disabilities Act Guidelines and ANSI A117.1 Requirements for Accessible and Useable Building Facilities-Check Local Codes