

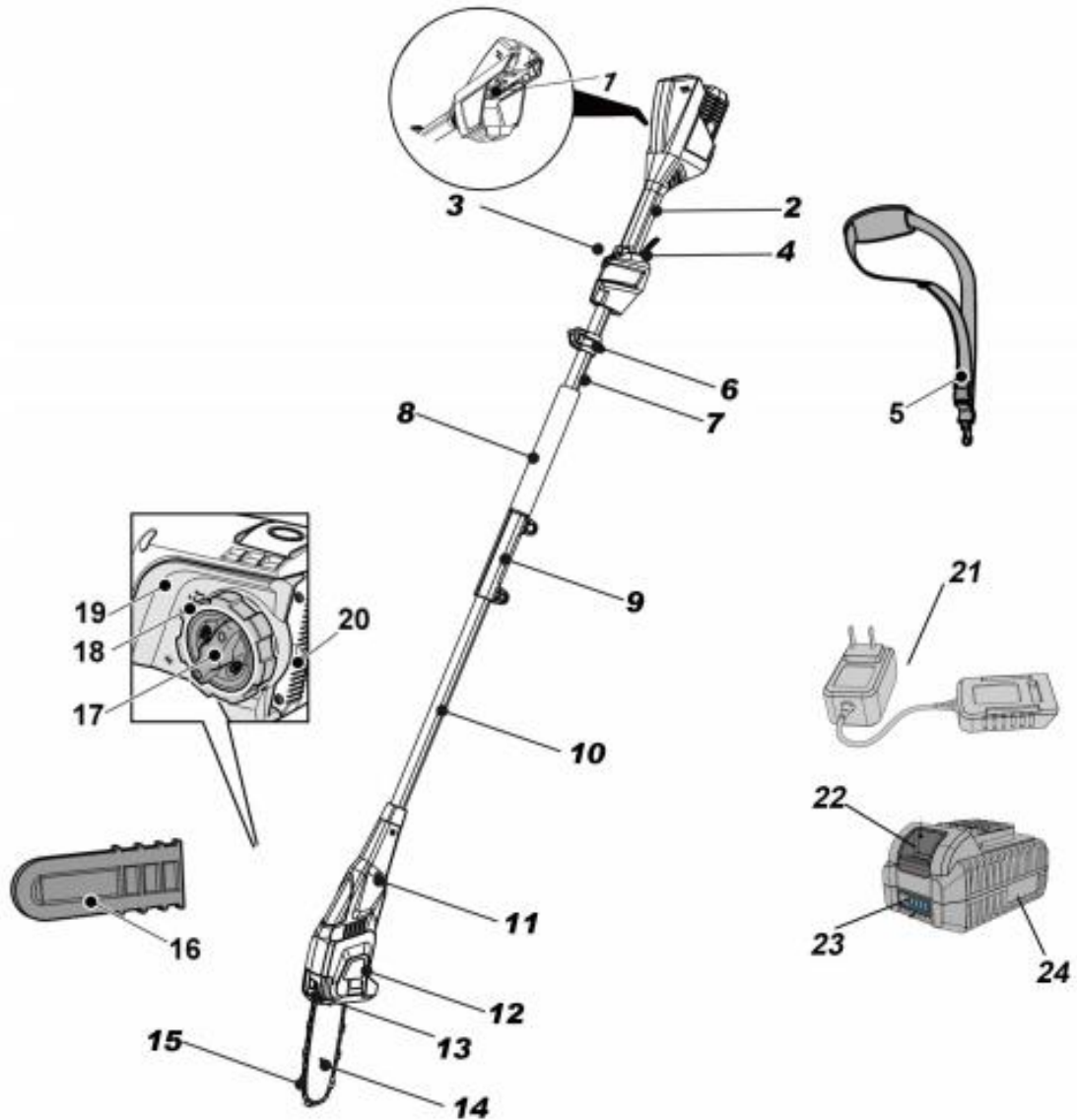


40V LITHIUM-ION CORDLESS POLE CHAINSAW

Model: EB608D



Parts List



- | | |
|---------------------------------------|-----------------------------------|
| 1. Insertion slot for battery | 13. Oil tank cover |
| 2. Handle | 14. Saw rail |
| 3. Switch interlock | 15. Saw chain |
| 4. On/Off switch | 16. Protection hood |
| 5. Shoulder belt | 17. Handwheel |
| 6. Fastening loop for shoulder belt | 18. Chain tensioning wheel |
| 7. Lower shaft | 19. Chain cover |
| 8. Front handle | 20. Spiked bumper |
| 9. Shaft coupling | 21. Battery charger |
| 10. Upper shaft | 22. Release button for battery |
| 11. Housing with ventilation openings | 23. LED state of charge indicator |
| 12. Oil tank with oil level indicator | 24. Battery |