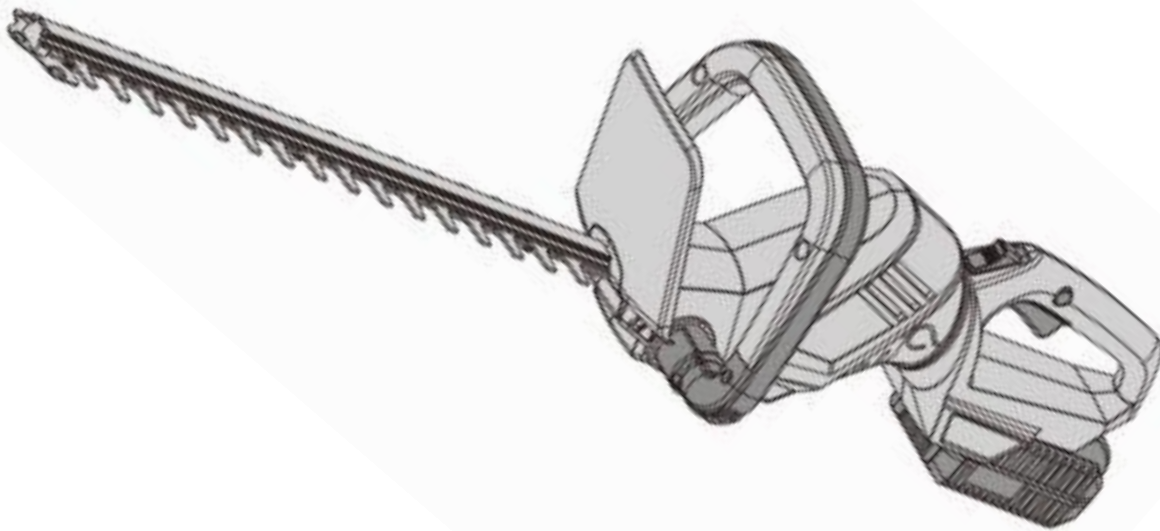




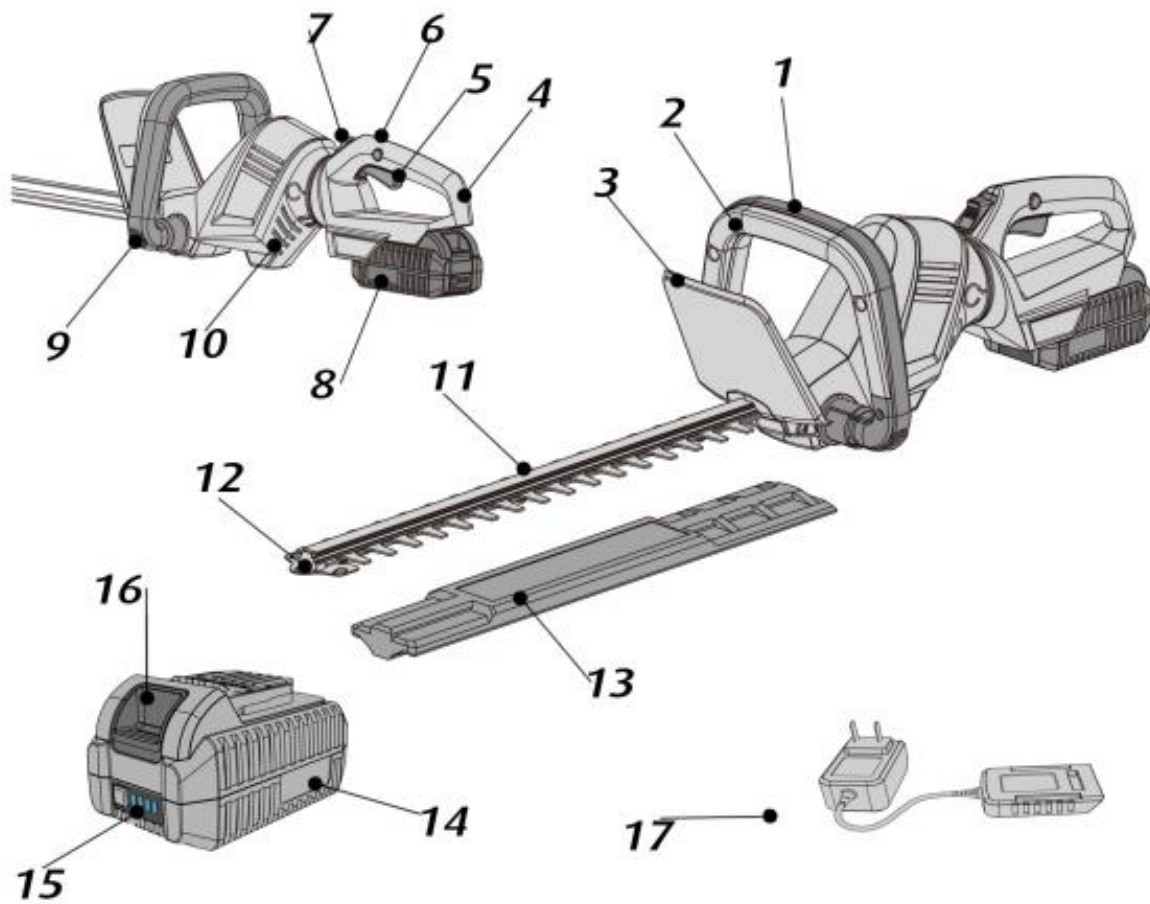
---

**40V LITHIUM-ION CORDLESS HEDGE TRIMMER**

Model: EB518D



**Parts List**



- |  |                                   |
|--|-----------------------------------|
| 1. Handlebar                                   | 10. Ventilation openings          |
| 2. Safety switch                               | 11. Cutting bar                   |
| 3. Protection shield                           | 12. Impact guard                  |
| 4. Rear handle, swiveling                      | 13. Protection hood               |
| 5. Switch                                      | 14. Battery (EB20)                |
| 6. Switch interlock                            | 15. LED state of charge indicator |
| 7. Release button for rotating the rear handle | 16. Release button for battery    |
| 8. Insertion slot for battery                  | 17. Battery charger (EBC05)       |
| 9. Housing                                     |                                   |