

# DEWALT®



**Instruction Manual  
Guide D'utilisation  
Manual de instrucciones**

**DCS573**

**7-1/4" (184 mm) 20V Max\* Circular Saw**

**Scie circulaire 20 V max\* 184 mm (7-1/4 po)**

**Sierra Circular 20V Máx\* de 184 mm (7-1/4")**

**[www.DEWALT.com](http://www.DEWALT.com)**

**If you have questions or comments, contact us.  
Pour toute question ou tout commentaire, nous contacter.  
Si tiene dudas o comentarios, contáctenos.**

**1-800-4-DEWALT**

English (**original instructions**)

---

5

Français (*traduction de la notice d'instructions originale*)

---

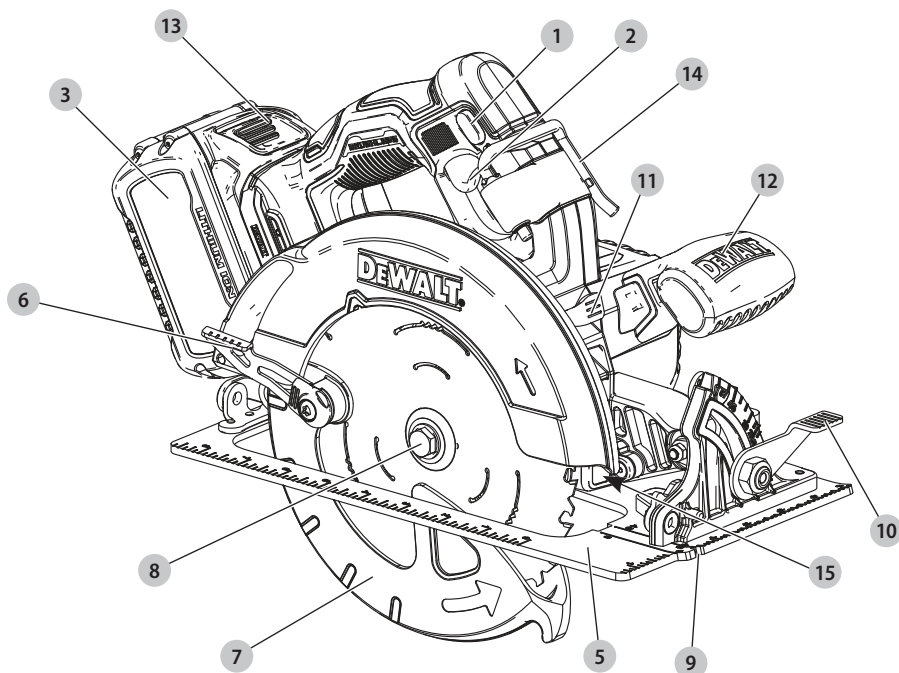
17

Español (*traducido de las instrucciones originales*)

---

31

Fig. A



### Components

- 1 Trigger switch lock-off button
- 2 Trigger switch
- 3 Battery pack
- 4 Depth adjustment lever (Fig. G)
- 5 Shoe
- 6 Lower blade guard retracting lever
- 7 Lower blade guard
- 8 Blade clamping screw
- 9 Kerf indicator
- 10 Bevel adjustment lever
- 11 Blade lock button
- 12 Auxiliary handle
- 13 Battery release button
- 14 Hang hook
- 15 Worklight

### Composants

- 1 Bouton de verrouillage de la gâchette
- 2 Gâchette
- 3 Bloc-piles
- 4 Levier d'ajustement de la profondeur (Fig. G)
- 5 Patin
- 6 Levier de rétraction du protecteur inférieur
- 7 Protecteur inférieur
- 8 Vis de serrage de la lame
- 9 Indicateur de trait de scie
- 10 Levier de réglage du biseau
- 11 Bouton de verrouillage de la lame
- 12 Poignée auxiliaire
- 13 Bouton de libération du bloc-piles
- 14 Crochet de suspension
- 15 Lampe de travail

### Componentes

- 1 Botón de bloqueo en apagado de interruptor de gatillo
- 2 Interruptor de gatillo
- 3 Paquete de batería
- 4 Palanca de ajuste de profundidad (Fig. G)
- 5 Zapata
- 6 Palanca retráctil de protección de cuchilla inferior
- 7 Protección de cuchilla inferior
- 8 Tornillo de sujeción de cuchilla
- 9 Indicador de corte de sierra
- 10 Palanca de ajuste de bisel
- 11 Botón de bloqueo de cuchilla
- 12 Manija auxiliar
- 13 Botón de liberación de batería
- 14 Gancho para colgar
- 15 Luz de trabajo

Fig. B

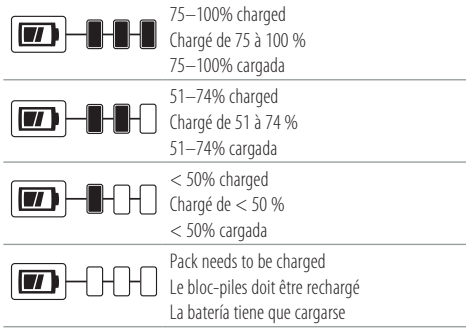


Fig. C

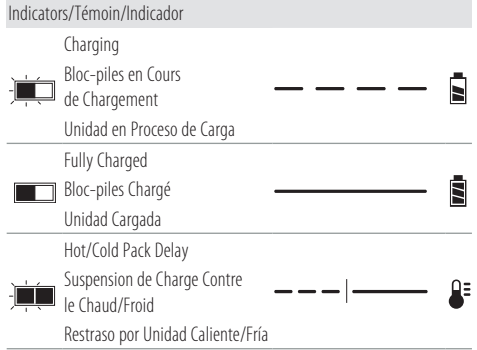


Fig. D

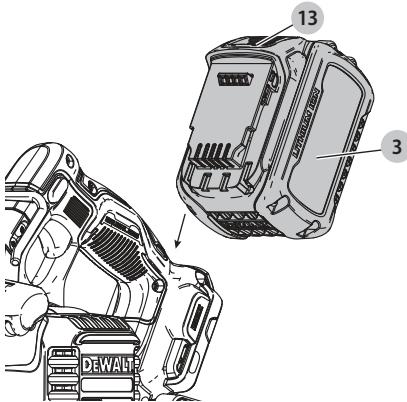


Fig. E

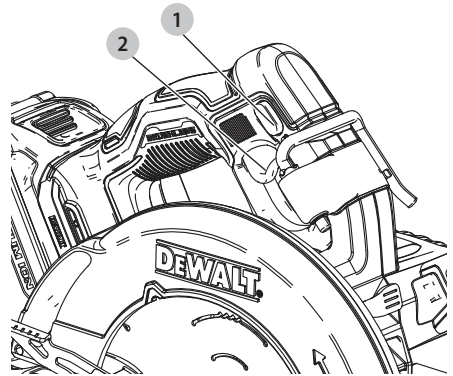


Fig. F

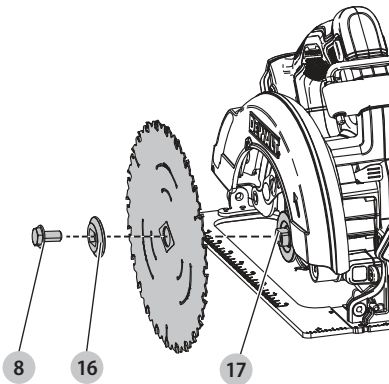


Fig. G

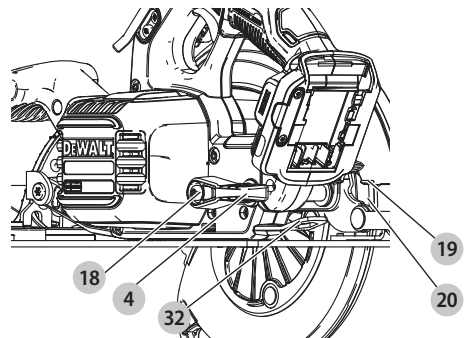


Fig. H

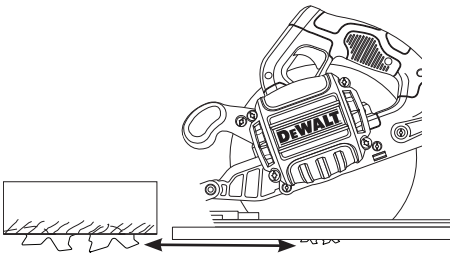


Fig. I

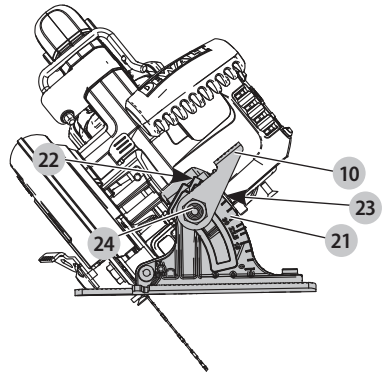


Fig. J

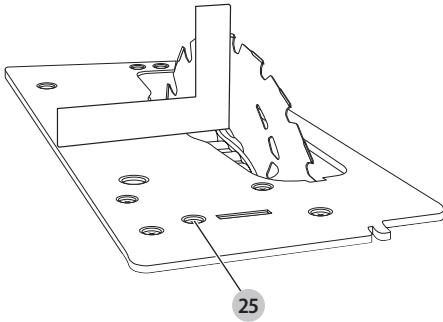


Fig. K

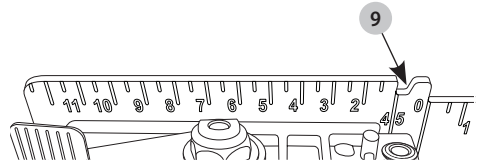


Fig. L

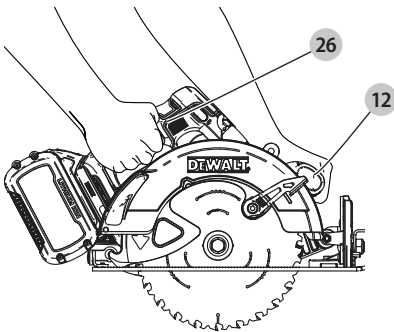


Fig. M

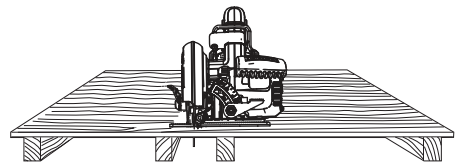


Fig. N

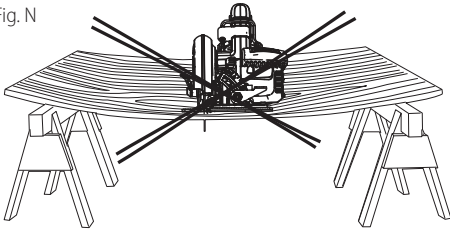


Fig. O

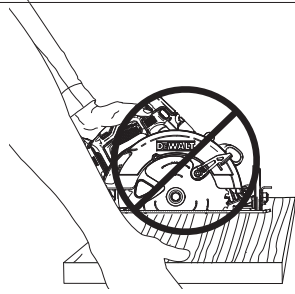


Fig. P

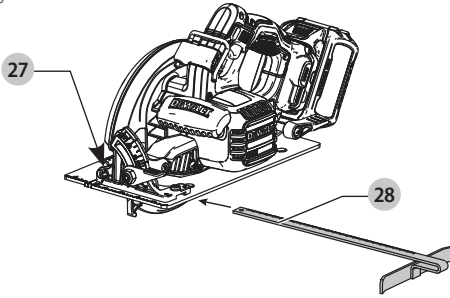


Fig. Q

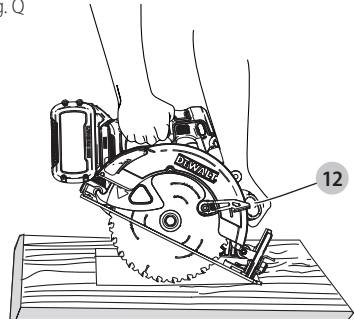


Fig. R

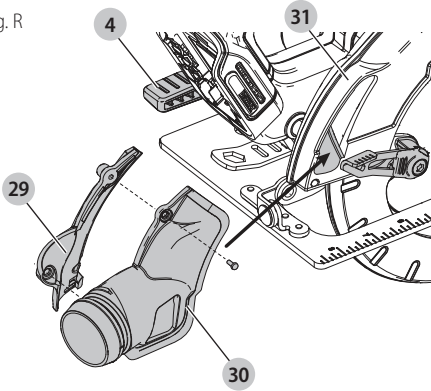


Fig. S

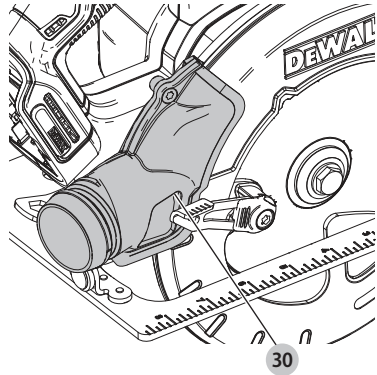


Fig. T

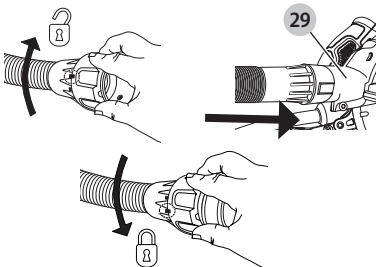
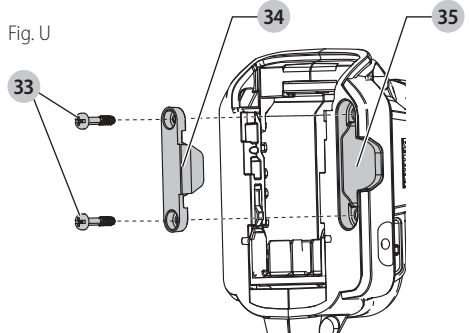




Fig. U



 **WARNING:** Read all safety warnings and all instructions. Failure to follow the warnings and instructions may result in electric shock, fire and/or serious injury.

 **WARNING:** To reduce the risk of injury, read the instruction manual.

## Intended Use


These heavy-duty circular saws are designed for professional wood cutting applications. Do not cut metal, plastic, concrete, masonry or fiber cement materials. **DO NOT** use water feed attachments with this saw. **DO NOT** use abrasive wheels or blades. **DO NOT** use under wet conditions or in the presence of flammable liquids or gases.


These heavy-duty saws are professional power tools.


**DO NOT** let children come into contact with the tool. Supervision is required when inexperienced operators use this tool.

## Definitions: Safety Alert Symbols and Words


This instruction manual uses the following safety alert symbols and words to alert you to hazardous situations and your risk of personal injury or property damage.

 **DANGER:** Indicates an imminently hazardous situation which, if not avoided, **will** result in **death or serious injury**.


 **WARNING:** Indicates a potentially hazardous situation which, if not avoided, **could** result in **death or serious injury**.

 **CAUTION:** Indicates a potentially hazardous situation which, if not avoided, **may** result in **minor or moderate injury**.

 (Used without word) Indicates a safety related message.

 **NOTICE:** Indicates a practice **not related to personal injury** which, if not avoided, **may** result in **property damage**.

## GENERAL POWER TOOL SAFETY WARNINGS

 **WARNING:** Read all safety warnings, instructions, illustrations and specifications provided with this power tool. Failure to follow all instructions listed below may result in electric shock, fire and/or serious injury.

### SAVE ALL WARNINGS AND INSTRUCTIONS FOR FUTURE REFERENCE.

The term "power tool" in the warnings refers to your mains-operated (corded) power tool or battery-operated (cordless) power tool.

### 1) Work Area Safety

- Keep work area clean and well lit.** Cluttered or dark areas invite accidents.
- Do not operate power tools in explosive atmospheres, such as in the presence of flammable liquids, gases or dust.** Power tools create sparks which may ignite the dust or fumes.

- Keep children and bystanders away while operating a power tool.** Distractions can cause you to lose control.

### 2) Electrical Safety

- Power tool plugs must match the outlet. Never modify the plug in any way. Do not use any adapter plugs with earthed (grounded) power tools.** Unmodified plugs and matching outlets will reduce risk of electric shock.
- Avoid body contact with earthed or grounded surfaces, such as pipes, radiators, ranges and refrigerators.** There is an increased risk of electric shock if your body is earthed or grounded.
- Do not expose power tools to rain or wet conditions.** Water entering a power tool will increase the risk of electric shock.
- Do not abuse the cord. Never use the cord for carrying, pulling or unplugging the power tool. Keep cord away from heat, oil, sharp edges or moving parts.** Damaged or entangled cords increase the risk of electric shock.
- When operating a power tool outdoors, use an extension cord suitable for outdoor use.** Use of a cord suitable for outdoor use reduces the risk of electric shock.
- If operating a power tool in a damp location is unavoidable, use a ground fault circuit interrupter (GFCI) protected supply.** Use of a GFCI reduces the risk of electric shock.

### 3) Personal Safety

- Stay alert, watch what you are doing and use common sense when operating a power tool. Do not use a power tool while you are tired or under the influence of drugs, alcohol or medication.** A moment of inattention while operating power tools may result in serious personal injury.
- Use personal protective equipment. Always wear eye protection.** Protective equipment such as a dust mask, non-skid safety shoes, hard hat, or hearing protection used for appropriate conditions will reduce personal injuries.
- Prevent unintentional starting. Ensure the switch is in the off-position before connecting to power source and/or battery pack, picking up or carrying the tool.** Carrying power tools with your finger on the switch or energizing power tools that have the switch on invites accidents.
- Remove any adjusting key or wrench before turning the power tool on.** A wrench or a key left attached to a rotating part of the power tool may result in personal injury.
- Do not overreach. Keep proper footing and balance at all times.** This enables better control of the power tool in unexpected situations.
- Dress properly. Do not wear loose clothing or jewelry. Keep your hair, clothing and gloves away from moving parts.** Loose clothes, jewelry or long hair can be caught in moving parts.

- g) **If devices are provided for the connection of dust extraction and collection facilities, ensure these are connected and properly used.** Use of dust collection can reduce dust-related hazards.
- h) **Do not let familiarity gained from frequent use of tools allow you to become complacent and ignore tool safety principles.** A careless action can cause severe injury within a fraction of a second.

#### 4) Power Tool Use and Care

- a) **Do not force the power tool. Use the correct power tool for your application.** The correct power tool will do the job better and safer at the rate for which it was designed.
- b) **Do not use the power tool if the switch does not turn it on and off.** Any power tool that cannot be controlled with the switch is dangerous and must be repaired.
- c) **Disconnect the plug from the power source and/or remove the battery pack, if detachable, from the power tool before making any adjustments, changing accessories, or storing power tools.** Such preventive safety measures reduce the risk of starting the power tool accidentally.
- d) **Store idle power tools out of the reach of children and do not allow persons unfamiliar with the power tool or these instructions to operate the power tool.** Power tools are dangerous in the hands of untrained users.
- e) **Maintain power tools and accessories. Check for misalignment or binding of moving parts, breakage of parts and any other condition that may affect the power tool's operation. If damaged, have the power tool repaired before use.** Many accidents are caused by poorly maintained power tools.
- f) **Keep cutting tools sharp and clean.** Properly maintained cutting tools with sharp cutting edges are less likely to bind and are easier to control.
- g) **Use the power tool, accessories and tool bits etc. in accordance with these instructions, taking into account the working conditions and the work to be performed.** Use of the power tool for operations different from those intended could result in a hazardous situation.
- h) **Keep handles and grasping surfaces dry, clean and free from oil and grease.** Slippery handles and grasping surfaces do not allow for safe handling and control of the tool in unexpected situations.

#### 5) Battery Tool Use and Care

- a) **Recharge only with the charger specified by the manufacturer.** A charger that is suitable for one type of battery pack may create a risk of fire when used with another battery pack.
- b) **Use power tools only with specifically designated battery packs.** Use of any other battery packs may create a risk of injury and fire.
- c) **When battery pack is not in use, keep it away from other metal objects, like paper clips, coins, keys, nails, screws or other small metal objects,**

**that can make a connection from one terminal to another.** Shorting the battery terminals together may cause burns or a fire.

- d) **Under abusive conditions, liquid may be ejected from the battery; avoid contact. If contact accidentally occurs, flush with water. If liquid contacts eyes, additionally seek medical help.** Liquid ejected from the battery may cause irritation or burns.
- e) **Do not use a battery pack or tool that is damaged or modified.** Damaged or modified batteries may exhibit unpredictable behavior resulting in fire, explosion or risk of injury.
- f) **Do not expose a battery pack or tool to fire or excessive temperature.** Exposure to fire or temperature above 265 °F (130 °C) may cause explosion.
- g) **Follow all charging instructions and do not charge the battery pack or tool outside the temperature range specified in the instructions.** Charging improperly or at temperatures outside the specified range may damage the battery and increase the risk of fire.

#### 6) Service

- a) **Have your power tool serviced by a qualified repair person using only identical replacement parts.** This will ensure that the safety of the power tool is maintained.
- b) **Never service damaged battery packs.** Service of battery packs should only be performed by the manufacturer or authorized service providers.

### Safety Instructions for All Saws

#### Cutting Procedures

- a) **▲ DANGER: Keep hands away from cutting area and the blade. Keep your second hand on auxiliary handle, or motor housing.** If both hands are holding the saw, they cannot be cut by the blade.
- b) **Do not reach underneath the workpiece.** The guard cannot protect you from the blade below the workpiece.
- c) **Adjust the cutting depth to the thickness of the workpiece.** Less than a full tooth of the blade teeth should be visible below the workpiece.
- d) **Never hold the workpiece in your hands or across your leg while cutting. Secure the workpiece to a stable platform.** It is important to support the work properly to minimize body exposure, blade binding, or loss of control.
- e) **Hold the power tool by insulated gripping surfaces, when performing an operation where the cutting tool may contact hidden wiring.** Contact with a "live" wire will also make exposed metal parts of the power tool "live" and could give the operator an electric shock.
- f) **When ripping, always use a rip fence or straight edge guide.** This improves the accuracy of cut and reduces the chance of blade binding.



- g) **Always use blades with correct size and shape (diamond versus round) of arbor holes.** Blades that do not match the mounting hardware of the saw will run off-center, causing loss of control.
- h) **Never use damaged or incorrect blade washers or bolt.** The blade washers and bolt were specially designed for your saw, for optimum performance and safety of operation.

## Further Safety Instructions for All Saws

### Causes and Operator Prevention of Kickback:

- Kickback is a sudden reaction to a pinched, bound or misaligned saw blade, causing an uncontrolled saw to lift up and out of the workpiece toward the operator;
- When the blade is pinched or bound tightly by the kerf closing down, the blade stalls and the motor reaction drives the unit rapidly back toward the operator;
- If the blade becomes twisted or misaligned in the cut, the teeth at the back edge of the blade can dig into the top surface of the wood causing the blade to climb out of the kerf and jump back toward the operator.

Kickback is the result of saw misuse and/or incorrect operating procedures or conditions and can be avoided by taking proper precautions as given below:

- a) **Maintain a firm grip with both hands on the saw and position your arms to resist kickback forces. Position your body to either side of the blade, but not in line with the blade.** Kickback could cause the saw to jump backwards, but kickback forces can be controlled by the operator, if proper precautions are taken.
- b) **When blade is binding, or when interrupting a cut for any reason, release the trigger and hold the saw motionless in the material until the blade comes to a complete stop. Never attempt to remove the saw from the work or pull the saw backward while the blade is in motion or kickback may occur.** Investigate and take corrective actions to eliminate the cause of blade binding.
- c) **When restarting a saw in the workpiece, center the saw blade in the kerf and check that saw teeth are not engaged into the material.** If saw blade is binding, it may walk up or kickback from the workpiece as the saw is restarted.
- d) **Support large panels to minimize the risk of blade pinching and kickback. Large panels tend to sag under their own weight.** Supports must be placed under the panel on both sides, near the line of cut and near the edge of the panel.
- e) **Do not use dull or damaged blades.** Unsharpened or improperly set blades produce narrow kerf causing excessive friction, blade binding and kickback.
- f) **Blade depth and bevel adjusting locking levers must be tight and secure before making cut.** If blade adjustment shifts while cutting, it may cause binding and kickback.

- g) **Use extra caution when making a “plunge cut” into existing walls or other blind areas.** The protruding blade may cut objects that can cause kickback.

### Lower Guard Function Safety Instructions

- a) **Check lower guard for proper closing before each use. Do not operate the saw if lower guard does not move freely and close instantly. Never clamp or tie the lower guard into the open position.** If saw is accidentally dropped, lower guard may be bent. Raise the lower guard with the retracting handle and make sure it moves freely and does not touch the blade or any other part, in all angles and depths of cut.
- b) **Check the operation of the lower guard spring. If the guard and the spring are not operating properly, they must be serviced before use.** Lower guard may operate sluggishly due to damaged parts, gummy deposits, or a build-up of debris.
- c) **Lower guard should be retracted manually only for special cuts such as “plunge cuts” and “compound cuts.” Raise lower guard by retracting handle and as soon as blade enters the material, the lower guard must be released.** For all other sawing, the lower guard should operate automatically.
- d) **Always observe that the lower guard is covering the blade before placing saw down on bench or floor.** An unprotected, coasting blade will cause the saw to walk backwards, cutting whatever is in its path. Be aware of the time it takes for the blade to stop after switch is released.

### Additional Safety Information



**WARNING:** Never modify the power tool or any part of it. Damage or personal injury could result.



**WARNING:** ALWAYS use safety glasses. Everyday eyeglasses are NOT safety glasses. Also use face or dust mask if cutting operation is dusty. ALWAYS WEAR CERTIFIED SAFETY EQUIPMENT:

- ANSI Z87.1 eye protection (CAN/CSA Z94.3),
- ANSI S12.6 (S3.19) hearing protection,
- NIOSH/OSHA/MSHA respiratory protection.



**WARNING:** Some dust created by power sanding, sawing, grinding, drilling, and other construction activities contains chemicals known to the State of California to cause cancer, birth defects or other reproductive harm. Some examples of these chemicals are:

- lead from lead-based paints,
- crystalline silica from bricks and cement and other masonry products, and
- arsenic and chromium from chemically-treated lumber.

Your risk from these exposures varies, depending on how often you do this type of work. To reduce your exposure to these chemicals: work in a well ventilated area, and work with approved safety equipment, such

as those dust masks that are specially designed to filter out microscopic particles.

- **Wear protective clothing and wash exposed areas with soap and water.** Allowing dust to get into your mouth, eyes, or lay on the skin may promote absorption of harmful chemicals. Direct particles away from face and body.
- **Use the appropriate dust extractor vacuum to remove the vast majority of static and airborne dust.** Failure to remove static and airborne dust could contaminate the working environment or pose an increased health risk to the operator and those in close proximity.
- **Use clamps or other practical ways to secure and support the workpiece to a stable platform.** Holding the work by hand or against your body is unstable and may lead to loss of control and injury.
- **Air vents often cover moving parts and should be avoided.** Loose clothes, jewelry or long hair can be caught in moving parts.

**CAUTION:** When not in use, place tool on its side on a stable surface where it will not cause a tripping or falling hazard. Some tools with large battery packs will stand upright on the battery pack but may be easily knocked over.

The label on your tool may include the following symbols. The symbols and their definitions are as follows:

BPM.....	beats per minute		..... safety alert symbol
V.....	volts		..... wear respiratory protection
min.....	minutes		..... wear eye protection
=== or DC.....	direct current		..... Class II Construction (double insulated)
.../min.....	per minute		..... wear hearing protection
RPM.....	revolutions per minute		..... read all documentation
A.....	amperes		..... avoid staring at light
Hz.....	hertz		..... alternating current
W.....	watts		
Wh.....	watt hours		
n <sub>0</sub> .....	no load speed		
n.....	rated speed		
			Ah..... amp hours

## BATTERIES AND CHARGERS

The battery pack is not fully charged out of the carton. Before using the battery pack and charger, read the safety instructions below and then follow charging procedures outlined. When ordering replacement battery packs, be sure to include the catalog number and voltage.

### READ ALL INSTRUCTIONS

## Important Safety Instructions for All Battery Packs

**WARNING:** Read all safety warnings, instructions, and cautionary markings for the battery pack, charger and product. Failure to follow the warnings and instructions may result in electric shock, fire and/or serious injury.

- **Do not charge or use the battery pack in explosive atmospheres, such as in the presence of flammable liquids, gases or dust.** Inserting or removing the battery pack from the charger may ignite the dust or fumes.
- **NEVER force the battery pack into the charger. DO NOT modify the battery pack in any way to fit into a non-compatible charger as battery pack may rupture causing serious personal injury.** Consult the chart at the end of this manual for compatibility of batteries and chargers.
- **Charge the battery packs only in DeWALT chargers.**
- **DO NOT splash or immerse in water or other liquids.**
- **DO NOT allow water or any liquid to enter battery pack.**
- **Do not store or use the tool and battery pack in locations where the temperature may reach or exceed 104 °F (40 °C) (such as outside sheds or metal buildings in summer).** For best life store battery packs in a cool, dry location.
- **NOTE: Do not store the battery packs in a tool with the trigger switch locked on. Never tape the trigger switch in the ON position.**
- **Do not incinerate the battery pack even if it is severely damaged or is completely worn out.** The battery pack can explode in a fire. Toxic fumes and materials are created when lithium-ion battery packs are burned.
- **If battery contents come into contact with the skin, immediately wash area with mild soap and water.** If battery liquid gets into the eye, rinse water over the open eye for 15 minutes or until irritation ceases. If medical attention is needed, the battery electrolyte is composed of a mixture of liquid organic carbonates and lithium salts.
- **Contents of opened battery cells may cause respiratory irritation.** Provide fresh air. If symptoms persist, seek medical attention.
- **Battery liquid may be flammable if exposed to spark or flame.**
- **Never attempt to open the battery pack for any reason. If the battery pack case is cracked or damaged, do not insert into the charger.** Do not crush, drop or damage the battery pack. Do not use a battery pack or charger that has received a sharp blow, been dropped, run over or damaged in any way (e.g., pierced with a nail, hit with a hammer, stepped on). Damaged battery packs should be returned to the service center for recycling.

## Storage Recommendations

The best storage place is one that is cool and dry, away from direct sunlight and excess heat or cold. Store the fully charged battery pack out of the charger.

## Battery Pack Cleaning Instructions

Dirt and grease may be removed from the exterior of the battery pack using a cloth or soft non-metallic brush. Do not use water or any cleaning solutions.

## Fuel Gauge Battery Packs (Fig. B)

Some battery packs include a fuel gauge. When the fuel gauge button is pressed and held, the LED lights will indicate the approximate level of charge remaining. This does not indicate tool functionality and is subject to variation based on product components, temperature, and end-user application.

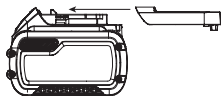
## Transportation

**WARNING: Fire hazard. Do not store, carry, or transport the battery pack so that metal objects can contact exposed battery terminals.** For example, do not place the battery pack in aprons, pockets, tool boxes, product kit boxes, drawers, etc., with loose nails, screws, keys, coins, hand tools, etc. When transporting individual battery packs, make sure that the battery terminals are protected and well insulated from materials that could contact them and cause a short circuit.

**NOTE:** Li-ion battery packs should not be put in checked baggage on airplanes and must be properly protected from short circuits if they are in carry-on baggage.

## Shipping the DEWALT FLEXVOLT™ Battery Pack

The DEWALT FLEXVOLT™ battery pack has a battery cap that should be used when shipping the battery pack.



Attach the cap to the battery pack to ready it for shipping. This converts the battery pack to three separate 20V batteries. The three batteries have the Watt hour rating labeled "Shipping" on the battery pack. If shipping without the cap or in a tool, the pack is one battery at the Watt hour rating labeled "Use".

Example battery pack label:

**USE: 120 Wh SHIPPING: 3 x 40 Wh**

In this example, the battery pack is three batteries with 40 Watt hours each when using the cap. Otherwise, the battery pack is one battery with 120 Watt hours.

## The RBRC® Seal

Please take your spent battery packs to an authorized DEWALT service center or to your local retailer for recycling. In some areas, it is illegal to place spent battery packs in the trash. You may also contact your local recycling center for information on where to drop off the spent battery pack. Do not place in curbside recycling. For more information visit [www.call2recycle.org](http://www.call2recycle.org), or call the toll free number in the RBRC® Seal.

RBRC® is a registered trademark of Call 2 Recycle, Inc.



## Important Safety Instructions for All Battery Chargers

**WARNING: Read all safety warnings, instructions, and cautionary markings for the battery pack, charger and product. Failure to follow the warnings and instructions may result in electric shock, fire and/or serious injury.**

- **DO NOT attempt to charge the battery pack with any chargers other than a DEWALT charger.** DEWALT chargers and battery packs are specifically designed to work together.
- **These chargers are not intended for any uses other than charging DEWALT rechargeable battery packs.** Charging other types of battery packs may cause them to overheat and burst, resulting in personal injury, property damage, fire, electric shock or electrocution.
- **Do not expose the charger to rain or snow.**
- **Do not allow water or any liquid to enter charger.**
- **Pull by the plug rather than the cord when disconnecting the charger.** This will reduce the risk of damage to the electric plug and cord.
- **Make sure that the cord is located so that it will not be stepped on, tripped over or otherwise subjected to damage or stress.**
- **Do not use an extension cord unless it is absolutely necessary.** Use of improper extension cord could result in risk of fire, electric shock or electrocution.
- **When operating a charger outdoors, always provide a dry location and use an extension cord suitable for outdoor use.** Use of a cord suitable for outdoor use reduces the risk of electric shock.
- **An extension cord must have adequate wire size (AWG or American Wire Gauge) for safety.** The smaller the gauge number of the wire, the heavier the cord and thus the greater its capacity. An undersized cord will cause a drop in line voltage resulting in loss of power and overheating. The following table shows the correct size to use depending on total length of all extension cords plugged together, and nameplate ampere rating. If in doubt, use the next heavier gauge.

Minimum Gauge for Cord Sets

Volts	Total Length of Cord in Feet (meters)			
	25 (7.6)	50 (15.2)	100 (30.5)	150 (45.7)
<b>Ampere Rating</b>	<b>American Wire Gauge</b>			
More Than				
0	6	18	16	14
6	10	18	16	14
10	12	16	16	14
12	16	14	12	Not Recommended

- **Do not place any object on top of the charger or place the charger on a soft surface that might block the ventilation slots and result in excessive internal heat.** Place the charger in a position away from any heat source. The charger is ventilated through slots in the top and the bottom of the housing.

- **Do not operate the charger with a damaged cord or plug.** Have them replaced immediately.
- **Do not operate the charger if it has received a sharp blow, been dropped or otherwise damaged in any way.** Take it to an authorized service center.
- **Do not disassemble the charger; take it to an authorized service center when service or repair is required.** Incorrect reassembly may result in a risk of electric shock, electrocution or fire.
- **The charger is designed to operate on standard 120V household electrical power. Do not attempt to use it on any other voltage.** This does not apply to the vehicular charger.
- **Foreign materials of a conductive nature, such as, but not limited to, grinding dust, metal chips, steel wool, aluminum foil or any buildup of metallic particles should be kept away from the charger cavities and ventilation slots.**
- **Always unplug the charger from the power supply when there is no battery pack in the cavity.**

## Charging a Battery (Fig. C)

1. Plug the charger into an appropriate outlet.
2. Insert and fully seat battery pack. Red charging light will continuously blink while charging.
3. Charging is complete when the red charging light remains continuously ON. Battery pack can be left in charger or removed. Some chargers require the battery pack release button to be pressed for removal.
4. Charger will not charge a faulty battery pack, which may be indicated by the light staying OFF. Take charger and battery pack to an authorized service center if light stays OFF.

**NOTE:** Refer to label near charging light on charger for blink patterns. Older chargers may have additional information and/or may not have a yellow indicator light.

### Hot/Cold Pack Delay

When the charger detects a battery pack that is too hot or too cold, it automatically starts a Hot/Cold Pack Delay, suspending charging until the battery pack has reached an appropriate temperature. The charger then automatically switches to the pack charging mode. This feature ensures maximum battery pack life.

A cold battery pack may charge at a slower rate than a warm battery pack.

The hot/cold pack delay will be indicated by the red light continuing to blink but with the yellow light continuously ON. Once the battery pack has reached an appropriate temperature, the yellow light will turn OFF and the charger will resume the charging procedure.

### DCB118 and DCB112 Chargers

The DCB118 and DCB112 chargers are equipped with an internal fan designed to cool the battery pack. The fan will turn on automatically when the battery pack needs to be cooled.

## Electronic Protection System

Li-Ion tools are designed with an Electronic Protection System that will protect the battery pack against overloading, overheating or deep discharge. The tool will automatically turn off and the battery pack will need to be recharged.

## Important Charging Notes

1. The charger and battery pack may become warm to the touch while charging. This is a normal condition, and does not indicate a problem. To facilitate the cooling of the battery pack after use, avoid placing the charger or battery pack in a warm environment such as in a metal shed or an uninsulated trailer.
2. If the battery pack does not charge properly:
  - a. Check operation of receptacle by plugging in a lamp or other appliance;
  - b. Check to see if receptacle is connected to a light switch which turns power off when you turn out the lights;
  - c. If charging problems persist, take the tool, battery pack and charger to your local service center.
3. You may charge a partially used pack whenever you desire with no adverse effect on the battery pack.

## Charger Cleaning Instructions



**WARNING:** Shock hazard. Disconnect the charger from the AC outlet before cleaning. Dirt and grease may be removed from the exterior of the charger using a cloth or soft non-metallic brush. Do not use water or any cleaning solutions.

## Wall Mounting

Some DeWALT chargers are designed to be wall mountable or to sit upright on a table or work surface. If wall mounting, locate the charger within reach of an electrical outlet, and away from a corner or other obstructions which may impede air flow. Use the back of the charger as a template for the location of the mounting screws on the wall. Mount the charger securely using drywall screws (purchased separately) at least 1" (25.4 mm) long, with a screw head diameter of 0.28–0.35" (7–9 mm), screwed into wood to an optimal depth leaving approximately 7/32" (5.5 mm) of the screw exposed. Align the slots on the back of the charger with the exposed screws and fully engage them in the slots.

**SAVE THESE INSTRUCTIONS FOR FUTURE USE**

## ASSEMBLY AND ADJUSTMENTS



**WARNING:** To reduce the risk of serious personal injury, turn unit off and remove the battery pack before making any adjustments or removing/installing attachments or accessories. An accidental start-up can cause injury.

## Inserting and Removing the Battery Pack from the Tool (Fig. D)

**NOTE:** Make sure your battery pack  is fully charged.

## To Install the Battery Pack into the Tool Handle

1. Align the battery pack **3** with the rails inside the tool's handle (Fig. D).
2. Slide it into the handle until the battery pack is firmly seated in the tool and ensure that you hear the lock snap into place.

## To Remove the Battery Pack from the Tool

1. Press the release button **13** and firmly pull the battery pack out of the tool handle.
2. Insert battery pack into the charger as described in the charger section of this manual.

## Changing Blades

### To Install the Blade (Fig. A, F, G)

1. Remove the battery.
2. Using the lower guard retracting lever **6**, retract the lower blade guard **7** and place blade on saw spindle against the inner clamp washer **17**, making sure that the blade will rotate in the proper direction (the direction of the rotation arrow on the saw blade and the teeth must point in the same direction as the direction of rotation arrow on the saw). Do not assume that the printing on the blade will always be facing you when properly installed. When retracting the lower blade guard to install the blade, check the condition and operation of the lower blade guard to assure that it is working properly. Make sure it moves freely and does not touch the blade or any other part, in all angles and depths of cut.
3. Place outer clamp washer **16** on saw spindle with the beveled edge facing out. Make sure the 30 mm diameter on the blade side of the clamp fits into the 30 mm hole in the saw blade to ensure centering of the blade.
4. Thread the blade clamping screw **8** onto the saw spindle by hand (screw has right-hand threads and must be turned clockwise to tighten).
5. Depress the blade lock **11** while turning the saw spindle with the blade wrench **32** stored underneath the battery compartment, until the blade lock engages and the blade stops rotating.
6. Tighten the blade clamping screw firmly with the blade wrench.

**NOTICE:** *Never engage the blade lock while saw is running, or engage in an effort to stop the tool. Never turn the saw on while the blade lock is engaged. Serious damage to your saw will result.*

### To Replace the Blade (Fig. A, F, G)

1. Remove the battery.
2. To loosen the blade clamping screw **8**, depress the blade lock **11** and turn the saw spindle with the blade wrench **32**, stored underneath the battery compartment, until the blade lock engages and the blade stops rotating. With the blade lock engaged, turn the blade clamping screw counterclockwise with the

blade wrench (screw has right-hand threads and must be turned counterclockwise to loosen).

3. Remove the blade clamping screw **8** and outer clamp washer **16**. Remove old blade.
4. Clean any sawdust that may have accumulated in the guard or clamp washer area and check the condition and operation of the lower blade guard as previously outlined. Do not lubricate this area.
5. Select the proper blade for the application (refer to **Blades**). Always use blades that are the correct size (diameter) with the proper size and shape center hole for mounting on the saw spindle. Always assure that the maximum recommended speed (rpm) on the saw blade meets or exceeds the speed (rpm) of the saw.
6. Follow steps 1 through 5 under **To Install the Blade**, making sure that the blade will rotate in the proper direction.

### Lower Blade Guard



**WARNING:** *The lower blade guard is a safety feature that reduces the risk of serious personal injury. Never use the saw if the lower guard is missing, damaged, misassembled or not working properly. Do not rely on the lower blade guard to protect you under all circumstances. Your safety depends on following all warnings and precautions as well as proper operation of the saw. Check the lower blade guard for proper closing before each use. If the lower blade guard is missing or not working properly, have the saw serviced before using. To assure product safety and reliability, repair, maintenance and adjustment should be performed by an authorized service center or other qualified service organization, always using identical replacement parts.*

### Checking the Lower Guard (Fig. A)

1. Turn tool off and disconnect from power supply.
2. Rotate the lower guard retracting lever **6** from the fully closed position to the fully open position.
3. Release the lever and observe the guard **7** return to the fully closed position.

The tool should be serviced by a qualified service center if it:

- fails to return to the fully closed position,
- moves intermittently or slowly, or
- contacts the blade or any part of the tool in all angles and depth of cut.

### Blades



**WARNING:** *To minimize the risk of eye injury, always use eye protection. Carbide is a hard but brittle material. Foreign objects in the workpiece such as wire or nails can cause tips to crack or break. Only operate saw when proper saw blade guard is in place. Mount blade securely in proper rotation before using, and always use a clean, sharp blade.*



**WARNING:** *Do not cut metal, plastic, concrete, masonry or fiber cement materials with this saw.*

**7-1/4" (184 mm) Diameter**

Application	Teeth
Rip	24
General Purpose	36
Finish	60

If you need assistance regarding blades, please contact your local DeWALT dealer.

**Kickback**

Kickback is a sudden reaction to a pinched, bound or misaligned saw blade, causing an uncontrolled saw to lift up and out of the workpiece toward the operator. When the blade is pinched or bound tightly by the kerf closing down, the blade stalls and the motor reaction drives the unit rapidly back toward the operator. If the blade becomes twisted or misaligned in the cut, the teeth at the back edge of the blade can dig into the top surface of the wood causing the blade to climb out of the kerf and jump back toward the operator.

Kickback is more likely to occur when any of the following conditions exists.

**1. IMPROPER WORKPIECE SUPPORT**

- Sagging or improper lifting of the cut off piece can cause pinching of the blade and lead to kickback.
- Cutting through material supported at the outer ends only can cause kickback. As the material weakens it sags, closing down the kerf and pinching the blade (Fig. N).
- Cutting off a cantilevered or overhanging piece of material from the bottom up in a vertical direction can cause kickback. The falling cut off piece can pinch the blade.
- Cutting off long narrow strips (as in ripping) can cause kickback. The cut off strip can sag or twist closing the kerf and pinching the blade.
- Snagging the lower guard on a surface below the material being cut momentarily reduces operator control. The saw can lift partially out of the cut increasing the chance of blade twist.

**2. IMPROPER DEPTH OF CUT SETTING ON SAW**

- To make the most efficient cut, the blade should protrude only far enough to expose one-half of a tooth as shown in Figure H. This allows the shoe to support the blade and minimizes twisting and pinching in the material. See the section titled *Depth of Cut Adjustment*.

**3. BLADE TWISTING (MISALIGNMENT IN CUT)**

- Pushing harder to cut through a knot, a nail or a hard grain area can cause the blade to twist.
- Trying to turn the saw in the cut (trying to get back on the marked line) can cause blade twist.
- Overreaching or operating the saw with poor body control (out of balance), can result in twisting the blade.
- Changing hand grip or body position while cutting can result in blade twist.

e. Backing up the saw to clear blade can lead to twist.

**4. MATERIALS THAT REQUIRE EXTRA ATTENTION**

- Wet timber
- Green timber (material freshly cut or not kiln dried)
- Pressure treated timber (material treated with preservatives or anti-rot chemicals)

**5. USE OF DULL OR DIRTY BLADES**

- Dull blades cause increased loading of the saw. To compensate, an operator will usually push harder which further loads the unit and promotes twisting of the blade in the kerf. Worn blades may also have insufficient body clearance which increases the chance of binding and increased loading.

**6. LIFTING THE SAW WHEN MAKING A BEVEL CUT**

- Bevel cuts require special operator attention to proper cutting techniques – especially guidance of the saw. Both blade angle to the shoe and greater blade surface in the material increase the chance for binding and misalignment (twist) to occur.

**7. RESTARTING A CUT WITH THE BLADE TEETH JAMMED AGAINST THE MATERIAL**

- The saw should be brought up to full operating speed before starting a cut or restarting a cut after the unit has been stopped with the blade in the kerf. Failure to do so can cause stalling and kickback.

Any other conditions which could result in pinching, binding, twisting, or misalignment of the blade could cause kickback. Refer to the sections *Further Safety Instructions for All Saws* and *Blades* for procedures and techniques that will minimize the occurrence of kickback.

**Depth of Cut Adjustment (Fig. G, H)**

Maximum depth of cut is 2.5" (64 mm)

- Raise the depth adjustment lever **4** to loosen.
- To obtain the correct depth of cut, align the appropriate mark on the depth adjustment strap **20** with notch **19** on the upper blade guard.
- Tighten the depth adjustment lever.
- For the most efficient cutting action using a carbide tipped saw blade, set the depth adjustment so that about one half of a tooth projects below the surface of the wood to be cut.
- A method of checking for the correct cutting depth is shown in Figure H. Lay a piece of the material you plan to cut along the side of the blade, as shown in the figure, and observe how much tooth projects beyond the material.

**Adjusting Depth Adjustment Lever (Fig. G)**

It may be desirable to adjust the depth adjustment lever **4**. It may loosen in time and hit the shoe before tightening.

**To Tighten the Lever:**

- Hold depth adjustment lever **4** and loosen the locknut **18**.

- Adjust the depth adjustment lever by rotating it in the desired direction about 1/8 of a revolution.
- Retighten nut.

## Bevel Angle Adjustment (Fig. A, I)

The bevel angle adjustment mechanism can be adjusted between 0° and 57°.

To achieve better accuracy in cutting, use the fine adjustment markings located on the pivot bracket **21**.

- Raise the bevel adjustment lever **10** to loosen.
- Tilt the shoe to the desired angle by aligning the fine bevel pointer **22** with the desired angle mark on the pivot bracket **21**.
- Lower the bevel adjustment lever to retighten.

## Bevel Detent (Fig. A, I)

The DCS570 is equipped with a bevel detent feature. As you tilt the shoe **5** you will hear a click and feel the shoe stop at both 22.5 and 45 degrees. If either of these is the desired angle, retighten the lever **10** by lowering it. If you desire another angle, continue tilting the shoe until the coarse bevel pointer **23** or the fine pointer **22** aligns with the desired mark.

## Cut Length Indicator (Fig. A)

The markings on the side of the shoe **5** show the length of the slot being cut into the material at the full depth of the cut. The markings are in increments of 5 mm.

## Kerf Indicator (Fig. A)

The front of the saw shoe has a kerf indicator **9** for vertical and bevel cutting. This indicator enables you to guide the saw along cutting lines penciled on the material being cut. The kerf indicator lines up with the left (outer) side of the saw blade, which makes the slot or "kerf" cut by the moving blade fall to the right of the indicator. Guide along the penciled cutting line so that the kerf falls into the waste or surplus material.

## Mounting and Adjusting the Parallel Fence (Fig. P)

The parallel fence **28** is used for cutting parallel to the edge of the workpiece.

### Mounting

- Slacken the parallel fence adjustment knob **27** to allow the parallel fence to pass.
- Insert the parallel fence **28** in the shoe as shown.
- Tighten the parallel fence adjustment knob **27**.

### Adjusting

- Slacken the fence adjustment knob **27** and set the parallel fence **28** to the desired width. The adjustment can be read on the parallel fence scale.
- Tighten the fence adjustment knob **27**.

## Mounting the Dust Extraction Port (Fig. A, R)

Your circular saw is supplied with a dust extraction port.

### To Install the Dust Extraction Port

- Fully loosen depth adjustment lever **4**.
- Place the shoe **5** in the lowest position.
- Align the left half of the dust extraction port **29** over upper blade guard **31** as shown. Be sure to insert the tab into the casting notch on the tool. When installed correctly, it will snap fully over the original depth of cut pointer.
- Align the right-hand piece **30** with the left.
- Insert screws and tighten securely.

## Prior to Operation

- Make sure the guards have been mounted correctly. The saw blade guard must be in closed position.
- Make sure the saw blade rotates in the direction of the arrow on the blade.
- Do not use excessively worn saw blades.

## OPERATION



**WARNING:** To reduce the risk of serious personal injury, turn unit off and remove the battery pack before making any adjustments or removing/installing attachments or accessories. An accidental start-up can cause injury.



**WARNING:** Always observe the safety instructions and applicable regulations.

## Proper Hand Position (Fig. L)



**WARNING:** To reduce the risk of serious personal injury, ALWAYS use proper hand position as shown.



**WARNING:** To reduce the risk of serious personal injury, ALWAYS hold securely in anticipation of a sudden reaction.

Proper hand position requires one hand on the main handle **26**, with the other hand on the auxiliary handle **12**.

## LED Worklight (Fig. A)

The LED worklight **15** is activated when the trigger switch is depressed. When the trigger is released, the worklight will stay illuminated for up to 20 seconds.

**NOTE:** The worklight is for lighting the immediate work surface and is not intended to be used as a flashlight.

## Switching On and Off (Fig. E)


For safety reasons the trigger switch **2** of your tool is equipped with a lock-off button **1**.

Press the lock-off button to unlock the tool.

To run the tool, press the trigger switch **2**. As soon as the trigger switch is released, the lock-off switch is automatically activated to prevent unintended starting of the machine.

**NOTICE:** Do not switch the tool ON or OFF when the saw blade touches the workpiece or other materials.

## Workpiece Support (Fig. L–O)


 **WARNING:** To reduce the risk of serious personal injury, support the work properly and hold the saw firmly to prevent loss of control.

Figures L and M show proper sawing position. Figures N and O show an unsafe condition. Hands should be kept away from cutting area.

To avoid kickback, ALWAYS support board or panel NEAR the cut, (Fig. L and M). DON'T support board or panel away from the cut (Fig. N and O). When operating the saw, keep the cord away from the cutting area and prevent it from becoming hung up on the work piece.

ALWAYS DISCONNECT SAW BEFORE MAKING ANY ADJUSTMENTS! Place the work with its “good” side—the one on which appearance is most important—down. The saw cuts upward, so any splintering will be on the work face that is up when you saw it.

## Cutting (Fig. L, M, O)

 **WARNING:** Never attempt to use this tool by resting it upside down on a work surface and bringing the material to the tool. Always securely clamp the workpiece and bring the tool to the workpiece, securely holding the tool with two hands as shown in Figure L.

Place the wider portion of the saw shoe on that part of the workpiece which is solidly supported, not on the section that will fall off when the cut is made. As examples, Figure M illustrates the RIGHT way to cut off the end of a board. Always clamp work. Don't try to hold short pieces by hand! Remember to support cantilevered and overhanging material. Use caution when sawing material from below.


Be sure saw is up to full speed before blade contacts material to be cut. Starting saw with blade against material to be cut or pushed forward into kerf can result in kickback. Push the saw forward at a speed which allows the blade to cut without laboring. Hardness and toughness can vary even in the same piece of material, and knotty or damp sections can put a heavy load on the saw. When this happens, push the saw more slowly, but hard enough to keep working without much decrease in speed. Forcing the saw can cause rough cuts, inaccuracy, kickback, and over-heating of the motor. Should your cut begin to go off the line, don't try to force it back on. Release the switch and allow blade to come to a complete stop. Then you can withdraw the saw, sight anew, and start a new cut slightly inside the wrong one. In any event, withdraw the saw if you must shift the cut. Forcing a correction inside the cut can stall the saw and lead to kickback.

IF SAW STALLS, RELEASE THE TRIGGER AND BACK THE SAW UNTIL IT IS LOOSE. BE SURE BLADE IS STRAIGHT IN THE CUT AND CLEAR OF THE CUTTING EDGE BEFORE RESTARTING.

As you finish a cut, release the trigger and allow the blade to stop before lifting the saw from the work. As you lift the saw, the spring-tensioned telescoping guard will automatically close under the blade. Remember the blade is exposed until this occurs. Never reach under the work for any reason. When you have to retract the telescoping guard manually (as is necessary for starting pocket cuts) always use the retracting lever.

**NOTE:** When cutting thin strips, be careful to ensure that small cutoff pieces don't hang up on inside of lower guard.

## Pocket Cutting (Fig. Q)

 **WARNING:** Never tie the blade guard in a raised position. Never move the saw backwards when pocket cutting. This may cause the unit to raise up off the work surface which could cause injury.

A pocket cut is one that is made in a floor, wall or other flat surface.


1. Adjust the saw shoe so the blade cuts at desired depth.
2. Tilt the saw forward and rest front of the shoe on material to be cut.
3. Using the lower guard lever, retract lower blade guard to an upward position. Lower rear of shoe until blade teeth almost touch cutting line.
4. Release the blade guard (its contact with the work will keep it in position to open freely as you start the cut). Remove hand from guard lever and firmly grip auxiliary handle **12**, as shown in Figure Q. Position your body and arm to allow you to resist kickback if it occurs.
5. Make sure blade is not in contact with cutting surface before starting saw.
6. Start the motor and gradually lower the saw until its shoe rests flat on the material to be cut. Advance saw along the cutting line until cut is completed.
7. Release trigger and allow blade to stop completely before withdrawing the blade from the material.
8. When starting each new cut, repeat as above.

## Dust Extraction (Fig. R–T)


 **WARNING:** Risk of dust inhalation. To reduce the risk of personal injury, ALWAYS wear an approved dust mask.


A dust extraction port **29** is supplied with your tool.

The dust extraction port allows you to connect the tool to an external dust extractor, either using the AirLock™ system (DWW9000-XJ), or a standard 35 mm dust extractor fitment.

 **WARNING:** ALWAYS use a vacuum extractor designed in compliance with the applicable directives regarding dust emission when sawing wood. Vacuum hoses of most common vacuum cleaners will fit directly into the dust extraction outlet.

## Hang Hook (Fig. A)

 **WARNING:** To reduce the risk of serious personal injury, do not use the tool's hang hook to hang the tool from your body. DO NOT use the hang hook for tethering or securing the tool to a person or object during use. DO NOT suspend tool overhead or suspend objects from the hang hook.

 **WARNING:** To reduce the risk of injury from the circular saw falling on operators or bystanders, make sure it is supported securely when using the hang hook, or resting in a secure and stable location when not in use. Be sure to keep the area below clear to reduce the risk of the tool or off-cut material falling and striking someone or something below.



The circular saw has a convenient hang hook **14** that allows it to hang on a suitable, stable structure between uses.

The hang hook is not for tethering or securing the tool to a person or object during use when elevated.

## MAINTENANCE



**WARNING:** To reduce the risk of serious personal injury, turn unit off and remove the battery pack before making any adjustments or removing/installing attachments or accessories. An accidental start-up can cause injury.

### Tool Connect™ Chip (Fig. U)



**WARNING:** To reduce the risk of injury, remove accessories from the tool chuck before any Tool Connect™ interaction.

Your tool is Tool Connect™ Chip ready and has a location for installation of a Tool Connect™ Chip.

Tool Connect™ Chip is an optional application for your smart device (such as a smart phone or tablet) that connects the device to utilize the mobile application for inventory management functions.

Refer to **Tool Connect™ Chip Instruction Sheet** for more information.

### Installing the Tool Connect™ Chip

1. Remove the retaining screws **33** that hold the Tool Connect™ Chip protective cover **34** into the tool.
2. Remove the protective cover and insert the Tool Connect™ Chip into the empty pocket **35**.
3. Ensure that the Tool Connect™ Chip is flush with the housing. Secure it with the retaining screws and tighten the screws.
4. Refer to **Tool Connect™ Chip Instruction Sheet** for further instructions.

## Cleaning



**WARNING:** Blow dirt and dust out of all air vents with clean, dry air at least once a week. To minimize the risk of eye injury, always wear ANSI Z87.1 approved eye protection when performing this procedure.



**WARNING:** Never use solvents or other harsh chemicals for cleaning the non-metallic parts of the tool. These chemicals may weaken the plastic materials used in these parts. Use a cloth dampened only with water and mild soap. Never let any liquid get inside the tool; never immerse any part of the tool into a liquid.

### Lower Guard

The lower guard should always rotate and close freely from a fully open to fully closed position. Always check for correct operation before cutting by fully opening the guard and letting it close. If the guard closes slowly or not completely, it will need cleaning or servicing. Do not use the saw until it functions correctly. To clean the guard, use dry air or a soft brush to remove all accumulated sawdust or debris from the path of the guard and from around the guard spring. Should this not correct the problem, it will need to be serviced by an authorized service center.

## Base Plate Adjustment (Fig. I, J)

Your base plate has been factory set to assure that the blade is perpendicular to the base plate. If after extended use you need to re-align the blade, follow the directions below:

### Adjusting for 90 Degree Cuts

1. Return the saw to 0 degrees bevel.
2. Place the saw on its side, and retract the lower guard.
3. Set the depth of cut to 51 mm.
4. Loosen the bevel adjustment lever (**10**, Fig. I). Place a square against the blade and the base plate as shown in Figure I
5. Using a wrench, turn the set screw (**25**, Fig. J) on the underside of the base plate until the blade and the base plate are both in flush contact with the square. Retighten the bevel adjustment lever.

### Adjusting Bevel Adjustment Lever

It may be desirable to adjust the bevel adjustment lever **10**. It may loosen in time and hit the base plate before tightening.

#### To Tighten the Lever:

1. Hold the bevel adjustment lever **10** and loosen the bevel locknut **24**.
2. Adjust the bevel adjustment lever by rotating it in the desired direction about 1/8 of a revolution.
3. Retighten nut.

## Blades

A dull blade will cause inefficient cutting, overload on the saw motor, excessive splintering and increase the possibility of kickback. Change blades when it is no longer easy to push the saw through the cut, when the motor is straining, or when excessive heat is built up in the blade. It is a good practice to keep extra blades on hand so that sharp blades are available for immediate use. Dull blades can be sharpened in most areas.

Hardened gum on the blade can be removed with kerosene, turpentine, or oven cleaner. Anti-stick coated blades can be used in applications where excessive build-up is encountered, such as pressure treated and green timber.

## Accessories



**WARNING:** Since accessories, other than those offered by DEWALT, have not been tested with this product, use of such accessories with this tool could be hazardous. To reduce the risk of injury, only DEWALT recommended accessories should be used with this product.

Recommended accessories for use with your tool are available at extra cost from your local dealer or authorized service center. If you need assistance in locating any accessory, please contact DEWALT call 1-800-4-DEWALT (1-800-433-9258) or visit our website: [www.dewalt.com](http://www.dewalt.com).

## Repairs

The charger and battery pack are not serviceable. There are no serviceable parts inside the charger or battery pack.



**WARNING:** To assure product SAFETY and RELIABILITY, repairs, maintenance and adjustment (including brush inspection and replacement, when applicable) should be performed by a DeWALT factory service center or a DeWALT authorized service center. Always use identical replacement parts.

## Register Online


Thank you for your purchase. Register your product now for:

- **WARRANTY SERVICE:** Registering your product will help you obtain more efficient warranty service in case there is a problem with your product.
- **CONFIRMATION OF OWNERSHIP:** In case of an insurance loss, such as fire, flood or theft, your registration of ownership will serve as your proof of purchase.
- **FOR YOUR SAFETY:** Registering your product will allow us to contact you in the unlikely event a safety notification is required under the Federal Consumer Safety Act.
- Register online at **[www.dewalt.com](http://www.dewalt.com)**

## Three Year Limited Warranty

For warranty terms, go to <https://www.dewalt.com/Legal/Warranty/3-Year-Limited-Warranty>.

To request a written copy of the warranty terms, contact: Customer Service at DeWALT Industrial Tool Co., 701 East Joppa Road, Towson, MD 21286 or call 1-800-4-DeWALT (1-800-433-9258).

 **AVERTISSEMENT : lire tous les avertissements de sécurité et toutes les directives.** Le non-respect des avertissements et des directives pourrait se solder par un choc électrique, un incendie et/ou une blessure grave.

 **AVERTISSEMENT :** afin de réduire le risque de blessures, lire le mode d'emploi de l'outil.


## Utilisation prévue


Ces scies circulaires robustes sont conçues pour les applications de coupe du bois professionnelles. Ne pas couper du métal, du plastique, du béton, de la maçonnerie ou des matériaux à fibre de ciment. **NE PAS** utiliser des accessoires d'alimentation en eau avec cette scie. **NE PAS** utiliser de meules abrasives ou des lames. **NE PAS** utiliser en conditions mouillées ou en présence de liquides ou gaz inflammables.


Ces scies robustes sont des outils électriques professionnels. **NE PAS** laisser les enfants entrer en contact avec l'outil. Une supervision est requise lorsque des utilisateurs inexpérimentés utilisent cet outil.


## Définitions : symboles et termes d'alarmes sécurité

Ces guides d'utilisation utilisent les symboles et termes d'alarmes sécurité suivants pour vous prévenir de situations dangereuses et de risques de dommages corporels ou matériels.

 **DANGER :** indique une situation dangereuse imminente qui, si elle n'est pas évitée, entraînera la mort ou des blessures graves.


 **AVERTISSEMENT :** indique une situation potentiellement dangereuse qui, si elle n'est pas évitée, pourrait entraîner la mort ou des blessures graves.

 **ATTENTION :** indique une situation potentiellement dangereuse qui, si elle n'est pas évitée, pourrait entraîner des blessures légères ou modérées.

 (Si utilisé sans aucun terme) Indique un message propre à la sécurité.

**AVIS :** indique une pratique ne posant aucun risque de dommages corporels mais qui par contre, si rien n'est fait pour l'éviter, pourrait poser des risques de dommages matériels.

## AVERTISSEMENTS GÉNÉRAUX SUR LA SÉCURITÉ DES OUTILS

 **AVERTISSEMENT :** lisez tous les avertissements de sécurité, toutes les instructions, les illustrations et les caractéristiques fournis avec cet outil électrique. Ne pas suivre toutes les instructions comprises aux présentes peut conduire à un choc électrique, un incendie et/ou des blessures graves.

### CONSERVER TOUS LES AVERTISSEMENTS ET TOUTES LES DIRECTIVES POUR UN USAGE ULTÉRIEUR

Le terme « outil électrique » cité dans les avertissements se rapporte à votre outil électrique à alimentation sur secteur (avec fil) ou par piles (sans fil).

## 1) Sécurité du lieu de travail

- Tenir l'aire de travail propre et bien éclairée.**  
Les lieux encombrés ou sombres sont propices aux accidents.
- Ne pas faire fonctionner d'outils électriques dans un milieu déflamant, tel qu'en présence de liquides, de gaz ou de poussières inflammables.**  
Les outils électriques produisent des étincelles qui pourraient enflammer la poussière ou les vapeurs.
- Éloigner les enfants et les personnes à proximité pendant l'utilisation d'un outil électrique.** Une distraction pourrait en faire perdre la maîtrise à l'utilisateur.

## 2) Sécurité en matière d'électricité

- Les fiches des outils électriques doivent correspondre à la prise. Ne jamais modifier la fiche d'aucune façon. Ne jamais utiliser de fiche d'adaptation avec un outil électrique mis à la terre.** Le risque de choc électrique sera réduit par l'utilisation de fiches non modifiées correspondant à la prise.
- Éviter tout contact physique avec des surfaces mises à la terre comme des tuyaux, des radiateurs, des cuisinières et des réfrigérateurs.** Le risque de choc électrique est plus élevé si votre corps est mis à la terre.
- Ne pas exposer les outils électriques à la pluie ou à l'humidité.** La pénétration de l'eau dans un outil électrique augmente le risque de choc électrique.
- Ne pas utiliser le cordon de façon abusive. Ne jamais utiliser le cordon pour transporter, tirer ou débrancher un outil électrique. Tenir le cordon éloigné de la chaleur, de l'huile, des bords tranchants et des pièces mobiles.** Les cordons endommagés ou enchevêtrés augmentent les risques de choc électrique.
- Pour l'utilisation d'un outil électrique à l'extérieur, se servir d'une rallonge convenant à cette application.** L'utilisation d'une rallonge conçue pour l'extérieur réduira les risques de choc électrique.
- S'il est impossible d'éviter l'utilisation d'un outil électrique dans un endroit humide, brancher l'outil dans une prise ou sur un circuit d'alimentation dotés d'un disjoncteur de fuite à la terre (GFCI).** L'utilisation de ce type de disjoncteur réduit les risques de choc électrique.

## 3) Sécurité personnelle

- Être vigilant, surveiller le travail effectué et faire preuve de jugement lorsqu'un outil électrique est utilisé. Ne pas utiliser d'outil électrique en cas de fatigue ou sous l'influence de drogues, d'alcool ou de médicaments.** Un simple moment d'inattention en utilisant un outil électrique peut entraîner des blessures corporelles graves.

- b) **Utiliser des équipements de protection individuelle. Toujours porter une protection oculaire.** L'utilisation d'équipements de protection comme un masque antipoussière, des chaussures antidérapantes, un casque de sécurité ou des protecteurs auditifs lorsque la situation le requiert réduira les risques de blessures corporelles.
- c) **Empêcher les démarrages intempestifs. S'assurer que l'interrupteur se trouve à la position d'arrêt avant de relier l'outil à une source d'alimentation et/ou d'insérer un bloc-piles, de ramasser ou de transporter l'outil.** Transporter un outil électrique alors que le doigt repose sur l'interrupteur ou brancher un outil électrique dont l'interrupteur est à la position de marche risque de provoquer un accident.
- d) **Retirer toute clé de réglage ou clé avant de démarrer l'outil.** Une clé ou une clé de réglage attachée à une partie pivotante de l'outil électrique peut provoquer des blessures corporelles.
- e) **Ne pas trop tendre les bras. Conserver son équilibre en tout temps.** Cela permet de mieux maîtriser l'outil électrique dans les situations imprévues.
- f) **S'habiller de manière appropriée. Ne pas porter de vêtements amples ni de bijoux. Garder les cheveux, les vêtements et les gants à l'écart des pièces mobiles.** Les vêtements amples, les bijoux ou les cheveux longs risquent de rester coincés dans les pièces mobiles.
- g) **Si des composants sont fournis pour le raccordement de dispositifs de dépoussiérage et de ramassage, s'assurer que ceux-ci sont bien raccordés et utilisés.** L'utilisation d'un dispositif de dépoussiérage peut réduire les dangers engendrés par les poussières.
- h) **Ne pas laisser votre connaissance acquise suite l'utilisation fréquente des outils vous permettre de baisser la garde et ignorer les principes de sécurité de l'outil.** Un acte irréfléchi peut causer une blessure grave en une fraction de seconde.

#### 4) Utilisation et entretien d'un outil électrique

- a) **Ne pas forcer un outil électrique. Utiliser l'outil électrique approprié à l'application.** L'outil électrique approprié effectuera un meilleur travail, de façon plus sûre et à la vitesse pour laquelle il a été conçu.
- b) **Ne pas utiliser un outil électrique dont l'interrupteur est défectueux.** Tout outil électrique dont l'interrupteur est défectueux est dangereux et doit être réparé.
- c) **Débranchez la fiche de la prise électrique et, si amovible, retirez le bloc-piles de l'outil avant d'effectuer tout ajustement, changement et entreposage de celui-ci.** Ces mesures préventives réduisent les risques de démarrage accidentel de l'outil électrique.
- d) **Ranger les outils électriques hors de la portée des enfants et ne permettre à aucune personne n'étant pas familière avec un outil électrique ou son mode d'emploi d'utiliser cet outil.** Les outils électriques deviennent dangereux entre les mains d'utilisateurs inexpérimentés.
- e) **Gardez les poignées et surfaces d'emprise propres et libres de tout produit lubrifiant. Vérifier si les pièces mobiles sont mal alignées ou coincées, si des pièces sont brisées ou présentent toute autre condition susceptible de nuire au bon fonctionnement de l'outil électrique. En cas de dommage, faire réparer l'outil électrique avant toute nouvelle utilisation.** Beaucoup d'accidents sont causés par des outils électriques mal entretenus.
- f) **S'assurer que les outils de coupe sont aiguisés et propres.** Les outils de coupe bien entretenus et affûtés sont moins susceptibles de se coincer et sont plus faciles à maîtriser.
- g) **Utiliser l'outil électrique, les accessoires, les forets, etc. conformément aux présentes directives en tenant compte des conditions de travail et du travail à effectuer.** L'utilisation d'un outil électrique pour toute opération autre que celle pour laquelle il a été conçu est dangereuse.
- h) **Garder vos mains et les surfaces de prise sèches, propres et libres de graisse et de poussière.** Les mains et les surfaces de prise glissante ne permettent pas la manutention et le contrôle sécuritaires de l'outil dans les situations imprévues.

#### 5) Utilisation et entretien du bloc-piles

- a) **Ne recharger l'outil qu'au moyen du chargeur précisé par le fabricant.** L'utilisation d'un chargeur qui convient à un type de bloc-piles risque de provoquer un incendie s'il est utilisé avec un autre type de bloc-piles.
- b) **Utiliser les outils électriques uniquement avec les blocs-piles conçus à cet effet.** L'utilisation de tout autre bloc-piles risque de causer des blessures ou un incendie.
- c) **Lorsque le bloc-piles n'est pas utilisé, le tenir éloigné des objets métalliques, notamment des trombones, de la monnaie, des clés, des clous, des vis ou autres petits objets métalliques qui peuvent établir une connexion entre les deux bornes.** Le court-circuit des bornes du bloc-piles risque de provoquer des brûlures ou un incendie.
- d) **En cas d'utilisation abusive, le liquide peut gicler hors du bloc-piles; éviter tout contact avec ce liquide. Si un contact accidentel se produit, laver à grande eau. Si le liquide entre en contact avec les yeux, obtenir également des soins médicaux.** Le liquide qui gicle hors du bloc-piles peut provoquer des irritations ou des brûlures.
- e) **Ne pas utiliser de bloc-piles ou outil qui a été endommagé ou modifié.** Les unités endommagées ou modifiées peuvent avoir une réaction imprévisible résultant en un incendie, une explosion ou un potentiel de blessure.
- f) **Ne pas exposer de bloc-piles ou l'outil aux flammes ou à des températures excessives.** L'exposition aux flammes ou à une température

au-dessus de 129 °C (265 °F) pourrait causer une explosion.

- g) **Suivre toutes les instructions de recharge et ne rechargez pas le bloc-piles ou l'outil à des températures hors de la plage de température indiquée dans les instructions.** Une recharge non conforme ou à une température hors des limites spécifiées peut endommager les piles et augmenter le risque d'incendie.

## 6) Réparation

- a) **Faire réparer l'outil électrique par un réparateur professionnel en n'utilisant que des pièces de rechange identiques.** Cela permettra de maintenir une utilisation sécuritaire de l'outil électriques.
- b) **Ne jamais réparer des blocs-piles endommagés.** La réparation de blocs-piles doit seulement être effectuée par le fabricant ou les fournisseurs de service autorisés.

## Consignes de sécurité propres à toutes les scies

### Procédures de coupe

- a) **▲ DANGER : éloigner les mains des zones et organes de coupe. Maintenir la deuxième main sur la poignée auxiliaire ou le boîtier du moteur.** Lorsque les deux mains maintiennent la scie, la lame ne peut se couper.
- b) **N'essayez pas de tenir le dessous de l'ouvrage.** Le protège-lame ne peut pas vous protéger de la lame en dessous de l'ouvrage.
- c) **Ajustez la profondeur de coupe à l'épaisseur de l'ouvrage.** Moins d'une dent entière de lame devrait être visible en dessous de l'ouvrage.
- d) **Ne tenez jamais dans vos mains ou sur vos genoux un ouvrage qui est en cours de coupe. Fixez votre ouvrage sur une plateforme stable.** Il est important de soutenir correctement l'ouvrage afin de minimiser l'exposition du corps à la lame, le risque de coincement de la lame ou la perte de contrôle de l'outil.
- e) **Tenez l'outil électrique par ses surfaces de préhension isolantes quand vous réalisez une opération au cours de laquelle l'outil de coupe pourrait entrer en contact avec des câbles dissimulés.** Le contact avec un fil sous tension mettra également sous tension toutes les pièces métalliques exposées et donnera un choc électrique à l'utilisateur de l'outil.
- f) **Pendant les coupes de refente, utilisez toujours un guide de refente ou un guide à bord droit.** Ceci augmente toujours l'exactitude de la coupe et diminue la possibilité de coincement de la lame.
- g) **Utilisez toujours des lames dont l'alésage central est de la taille et de la forme appropriées (soit en forme de diamant, soit en forme de rond).** Les lames qui ne correspondent pas aux pièces de montage

de la scie tourneront de façon excentrique, ce qui causera une perte de contrôle de l'outil.

- h) **Ne vous servez jamais de rondelles ou de boulons de lames qui sont endommagés ou inappropriés. Les rondelles et le boulon de lame ont été conçus spécifiquement pour votre scie dans le but d'assurer une performance optimale et un fonctionnement sans danger.**

## Consignes de sécurité supplémentaires pour toutes les scies

### Causes et prévention du rebond par l'utilisateur :

- Le rebond est une réaction soudaine d'une la lame de la scie pincée, bloquée ou désalignée, causant une scie non contrôlée qui se soulève et sort de la pièce de travail vers l'utilisateur;
- Lorsque la lame est pincée ou bloquée serrée par la fermeture du trait de scie, la lame bloque et la réaction du moteur ramène rapidement l'outil vers l'utilisateur;
- Si la lame devient tordue ou désalignée dans la coupe, les dents du bord arrière de la lame peuvent pénétrer dans la surface supérieure du bois faisant sortir la lame du trait et rebondir vers l'utilisateur.

Le rebond est le résultat d'une mauvaise utilisation de la scie et/ou de procédures, ou de conditions de fonctionnement incorrectes, et il peut être évité en prenant les précautions appropriées définies ci-dessous :

- a) **Maintenez solidement la scie avec les deux mains et placez vos bras de façon à ce qu'ils résistent aux forces des rebonds. Placez votre corps d'un côté ou l'autre de la lame, mais non en ligne avec la lame.** Le rebond pourrait faire en sorte que la scie saute vers l'arrière, mais les forces des rebonds peuvent être contrôlées par l'utilisateur si des précautions appropriées sont prises.
- b) **Lorsque la lame se coince ou si vous cessez une coupe pour quelque raison que ce soit, relâchez la gâchette et tenez la scie de coupe sans bouger dans le matériau jusqu'à ce que la scie s'arrête complètement. Ne jamais tenter de retirer la scie du travail ou tirer la scie vers l'arrière pendant que la scie est en mouvement sinon un rebond peut se produire.** Examinez-la et prenez des mesures correctives pour éliminer la cause du coincement de la lame.
- c) **Lors du redémarrage de la scie avec la pièce de travail, centrez la lame de la scie dans le trait et assurez-vous que les dents de la scie ne sont pas engagées dans le matériau.** Si la lame de scie se coince, elle pourrait se soulever ou rebondir de la pièce de travail lors du redémarrage de la scie.
- d) **Soutenez les grands panneaux afin de réduire le risque de pincements de la lame et de rebonds. Les panneaux de grandes dimensions ont tendance à s'affaisser sous leur propre poids.** Des supports doivent être placés sous le panneau sur les

deux côtés, près de la ligne de coupe et près du bord du panneau.

- e) **Ne pas utiliser des lames émoussées ou endommagées.** Les lames non aiguisées ou mal placées produisent un trait de scie étroit causant une friction excessive, le coincement de la lame et le rebond.
- f) **La profondeur de la lame et les leviers de verrouillage de l'ajustement du biseau doivent être serrés et sécurisés avant de faire la coupe.** Si l'ajustement de la lame change pendant la coupe, cela peut causer un coincement et un rebond.
- g) **Soyez très prudent lorsque vous effectuez une « coupe en plongée » dans les murs actuels ou d'autres zones cachées.** La lame qui dépasse peut couper des objets qui peuvent causer un rebond.

## Consignes de sécurité sur les fonctions du protecteur inférieur

- a) **Vérifiez le protecteur inférieur pour une fermeture appropriée avant chaque utilisation. Ne pas utiliser la scie si le protecteur inférieur ne bouge pas librement et se ferme instantanément. Ne jamais fixer ou attacher le protecteur inférieur en position ouverte.** Si la scie est accidentellement échappée, le protecteur inférieur peut être plié. Levez le protecteur inférieur avec la poignée rétractable et assurez-vous qu'il se déplace librement et qu'il ne touche pas la lame ou toute autre pièce, dans tous les angles et toutes les profondeurs.
- b) **Vérifiez le fonctionnement du ressort du protecteur inférieur. Si le protecteur et le ressort ne fonctionnent pas correctement, ils doivent être réparés avant l'utilisation.** Le protecteur inférieur peut fonctionner mollement en raison de pièces endommagées, de dépôts collants ou d'une accumulation de débris.
- c) **Le protecteur inférieur doit être rétracté manuellement seulement pour les coupes spéciales comme les « coupes en plongée » ou les « coupes combinées ».** Levez le protecteur inférieur en rétractant la poignée et dès que la lame pénètre le matériau, le protecteur inférieur doit être relâché. Pour tous les autres sciages, le protecteur inférieur doit fonctionner automatiquement.
- d) **Observez toujours le protecteur inférieur couvre la lame avant de déposer la scie sur banc ou sur le plancher.** Une lame glissante non protégée fera en sorte que la scie retournera en arrière en coupant tout ce qui se trouve dans sa trajectoire. Tenez compte du temps que cela prend pour que la lame s'arrête après que la gâchette est relâchée.

## Renseignements de sécurité supplémentaires



**AVERTISSEMENT :** ne jamais modifier l'outil électrique ou toute pièce de celui-ci. Cela pourrait entraîner des dommages matériels ou des blessures corporelles.



**AVERTISSEMENT :** portez **TOUJOURS** des lunettes de sécurité. Les lunettes de tous les jours **NE SONT PAS** des lunettes de sécurité. De plus, utilisez un masque facial ou antipoussière si l'opération de coupe est poussièreuse. **PORTEZ TOUJOURS UN ÉQUIPEMENT DE SÉCURITÉ CERTIFIÉ :**

- Protection des yeux ANSI Z87.1 (CAN/CSA Z94.3),
- protection auditive ANSI S12.6 (S3.19),
- protection respiratoire NIOSH/OSHA/MSHA.



**AVERTISSEMENT :** certaines poussières créées par le ponçage mécanique, le sciage, l'aiguisage, le perçage et autres activités de construction contiennent des produits chimiques reconnus dans l'État de la Californie pour causer le cancer et des anomalies congénitales ou autres effets nuisibles sur la reproduction. Certains exemples de ces produits chimiques sont :

- le plomb provenant des peintures à base de plomb,
- la silice cristallisée provenant des briques, du ciment et d'autres produits de la maçonnerie ainsi que
- l'arsenic et le chrome provenant du bois de construction traité chimiquement.

Le risque associé à de telles expositions varie selon la fréquence à laquelle on effectue ces travaux. Pour réduire toute exposition à ces produits : travailler dans un endroit bien aéré, en utilisant du matériel de sécurité homologué, tel un masque antipoussières spécialement conçu pour filtrer les particules microscopiques.

- **Portez des vêtements protecteurs et lavez vos zones exposées avec du savon et de l'eau.** Permettre à la poussière d'entrer dans votre bouche, vos yeux ou la laisser sur la peau peut favoriser l'absorption des produits chimiques dangereux. Dirigez les particules loin du visage et du corps.
- **Utilisez le dépoussiéreur approprié pour enlever la grande majorité de la statique et de la poussière en suspension.** Ne pas enlever la statique et la poussière en suspension pourrait contaminer l'environnement de travail ou représenter un risque accru pour la santé de l'utilisateur et ceux qui sont à proximité.
- **Utilisez des pinces ou d'autres façons pratiques de sécuriser et maintenez la pièce de travail sur une plateforme stable.** Tenir le travail par une main ou contre votre corps est instable et peut mener à une perte de contrôle et une blessure.
- **Les événements couvrent souvent des pièces qui se déplacent et doivent être évités.** Des vêtements amples, les bijoux ou les cheveux longs peuvent se coincer dans des pièces qui déplacent.



**ATTENTION :** lorsque vous ne l'utilisez pas, placez l'outil sur le côté sur une surface stable là où cela n'entraînera pas un risque de trébuchement ou de chute. Certains outils avec de gros blocs-piles se tiendront debout sur le bloc-piles, mais ils peuvent facilement être renversés.

L'étiquette sur votre outil peut comporter les symboles suivants. Les symboles et les définitions sont les suivants :

BPM..... battements par minute	Hz ..... hertz		
V ..... volts	W ..... watts	Wh ..... Wathheures	
min ..... minutes	n <sub>0</sub> ..... vitesse à vide		
== ou DC.... courant continu	n ..... vitesse nominale		
... /min..... par minute	⚠ ..... symbole d'avertissement		
Tr/min ..... tours par minute			
A ..... ampères			
☞ ..... portez une protection respiratoire	👁 ..... portez une protection auditive		
👁 ..... portez une protection oculaire	📖 ..... lisez toute la documentation		
☐ ..... Construction de classe II (à isolation double)	⚠ ..... Éviter de regarder directement le flux de lumière.		
Ah..... ampères-heures	~ or AC..... courant alternatif		

## PILES ET CHARGEURS

Le bloc-piles n'est pas entièrement chargé lorsqu'il sort de la boîte. Avant d'utiliser le bloc-piles et le chargeur, lisez attentivement les instructions de sécurité suivantes, puis suivez les procédures de chargement énoncées. Lorsque vous commandez des blocs-piles de remplacement, assurez-vous d'inclure le numéro du catalogue et la tension.

### LISEZ TOUTES LES INSTRUCTIONS

## Consignes de sécurité importantes pour les blocs-piles

**⚠ AVERTISSEMENT :** lisez toutes les consignes de sécurité, les instructions et les symboles d'avertissements du bloc-piles, du chargeur et du produit. Ne pas suivre les avertissements et les instructions peut entraîner un choc électrique, un incendie et/ou des blessures graves.

- **Ne pas charger ou utiliser le bloc-piles en atmosphères explosibles comme la présence de liquides inflammables, de gaz ou de poussière.** Insérer ou retirer la pile du bloc-piles peut enflammer la poussière ou les vapeurs.
- **Ne JAMAIS forcer le bloc-piles dans le chargeur. NE PAS modifier le bloc-piles de quelque façon que ce soit dans un chargeur non compatible puisque le bloc-piles peut se briser causant une blessure corporelle.** Consultez le tableau à la fin de ce guide pour la compatibilité des blocs-piles et des chargeurs.
- **Chargez les blocs-piles seulement dans les chargeurs DEWALT.**
- **NE PAS** éclabousser ou immerger dans l'eau ou tout autre liquide.
- **NE PAS** laisser l'eau ou tout liquide entre dans le bloc-piles.
- **Ne pas entreposer ou utiliser l'outil et le bloc-piles dans des endroits où la température peut atteindre ou excéder 40 °C (104 °F) (comme les remises**

**extérieures ou les édifices en métal durant l'été).** Pour une meilleure durée de vie, entreposez le bloc-piles dans un endroit frais et sec.

**REMARQUE :** Ne pas ranger les blocs-piles dans un outil avec la gâchette verrouillée. Ne jamais coller la gâchette avec du ruban adhésif en position Marche.

- **Ne pas brûler le bloc-piles même s'il est gravement endommagé ou est entièrement usé.** Le bloc-piles peut exploser au cours d'un incendie. Des vapeurs et des matières toxiques sont produites lorsque les blocs-piles au lithium-ion sont brûlés.
- **Si le liquide des piles entre en contact avec la peau, lavez immédiatement avec de l'eau et du savon doux.** Si le liquide vient en contact avec les yeux, rincez à l'eau courante durant 15 minutes, ou jusqu'à ce que l'irritation cesse, en gardant les yeux ouverts. Pour information de consultation médicale, l'électrolyte des piles est composé d'un mélange organique liquide et de sels de lithium.
- **Le contenu des piles peut causer une irritation respiratoire.** Faites circuler de l'air frais. Si les symptômes persistent, consultez un médecin.
- **Le liquide des piles peut être inflammable s'il est exposé aux étincelles ou aux flammes.**
- **Ne jamais tenter d'ouvrir le bloc-piles pour quelque raison que ce soit. Si le boîtier du bloc-piles est fendu ou endommagé, ne pas l'insérer dans le chargeur.** Ne pas écraser, échapper ou endommager le bloc-piles. Ne pas se servir d'un bloc-piles ou chargeur qui a subi un impact, a été échappé, renversé par un véhicule ou endommagé d'une façon ou d'une autre (par ex. perforé par un clou, frappé par un marteau, sur lequel on a marché). Les blocs-piles endommagés devraient être amenés/expédiés au centre de service pour recyclage.

## Recommandations d'entreposage

Le meilleur lieu pour l'entreposage est un endroit frais et sec loin de la lumière directe du soleil et de la chaleur ou du froid excessif. Entreposez le bloc-piles entièrement chargé hors du chargeur.

## Instructions de nettoyage du bloc-piles

La saleté et la graisse peuvent être retirées des surfaces extérieures du bloc-piles à l'aide d'un linge ou d'une brosse souple non métallique. Ne pas utiliser d'eau ou de solution nettoyante.

## Blocs-piles du niveau de la jauge de carburant (Fig. B)

Certains blocs-piles incluent une jauge de carburant. Lorsque vous appuyez et maintenez, les voyants DEL indiqueront le niveau approximatif de charge restante. Cela n'indique pas la fonctionnalité de l'outil et peut varier selon les accessoires utilisés, la température et l'utilisation de l'utilisateur final.

## Transport

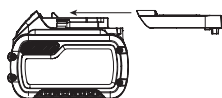


**AVERTISSEMENT : danger d'incendie. Ne pas entreposer ou transporter le bloc-piles de manière à ce que des objets métalliques puissent entrer en contact avec les bornes des piles exposées.** Par exemple, ne pas placer le bloc-piles dans des tabliers, des poches, des coffres à outils, des boîtes d'ensembles de produits, des tiroirs, etc. avec des clous, des vis, des clés, les pièces de monnaie, les outils à main, etc. Lorsque vous transportez des blocs-piles individuels, assurez-vous que leurs bornes sont protégées et bien isolées de tout matériel avec lequel elles pourraient entrer en contact et causer un court-circuit.

**REMARQUE :** Les blocs-piles Li-Ion ne doivent pas être mises dans des bagages enregistrés sur les avions et doivent être bien protégées contre les courts-circuits si elles sont dans des bagages à main.

### Expédier la bloc-pile FLEXVOLT™ de DeWALT

Le bloc-piles FLEXVOLT™ de DeWALT a un couvercle des piles qui doit être utilisé lorsque vous expédiez le bloc-piles.



Fixez le couvercle au bloc-piles afin qu'il soit prêt pour l'expédition. Cela convertit le bloc-piles en trois piles 20 V séparées. Les trois piles ont un taux de wattheures sur le bloc-piles étiqueté « Expédition ». Si vous l'expédiez sans le capuchon ou dans un outil, le bloc est une pile au taux de wattheures étiquetée « Utiliser ».

Exemple d'étiquette de bloc-piles :

**UTILISATION : 120 Wh Expédition : 3 x 40 Wh**

Dans cet exemple, le bloc-piles est trois piles de 40 wattheures chacune lorsque vous utilisez le couvercle. Sinon, le bloc-piles est 120 wattheures.

### Le sceau SRPRC<sup>MD</sup>

Veillez apporter vos blocs-piles usagés dans un centre de services DeWALT autorisé ou chez votre détaillant local pour les recycler. Dans certaines régions, il est illégal de mettre les blocs-piles usagés à la poubelle. Vous pouvez aussi contacter votre centre de recyclage local pour des informations sur les endroits où déposer le bloc-piles usagé. Ne pas mettre dans la collecte sélective. Pour de plus amples renseignements, visitez [www.call2recycle.org](http://www.call2recycle.org) ou appelez au numéro sans frais dans le sceau SRPRC<sup>MD</sup>.

SRPRC<sup>MD</sup> est une marque de commerce déposée de Call 2 Recycle, Inc.



## Consignes de sécurité importantes pour tous les chargeurs de piles



**AVERTISSEMENT : lisez toutes les consignes de sécurité, les instructions et les symboles d'avertissements du bloc-piles, du chargeur et du produit. Ne pas suivre les avertissements et les instructions peut entraîner un choc électrique, un incendie et/ou des blessures graves.**

- **NE PAS tenter de charger le bloc-piles avec un chargeur autre qu'un chargeur DeWALT.** DeWALT chargeurs et les blocs-piles sont spécifiquement conçus pour fonctionner ensemble.
- **Ces chargeurs ne sont pas conçus pour toute utilisation autre que le chargement DeWALT.** Les autres types de chargement de blocs-piles peuvent causer la surchauffe et l'éclatement de ceux-ci, entraînant une blessure corporelle, des dommages matériels, un choc électrique ou une électrocution.
- **Ne pas exposer le chargeur à la pluie ou la neige.**
- **Ne pas laisser l'eau ou tout liquide entrer dans le bloc-piles.**
- **Tirez la fiche au lieu du cordon lorsque vous débranchez le chargeur.** Cela réduira le risque d'endommager la fiche et le cordon électriques.
- **Assurez-vous de ne pas placer le cordon là où il pourrait faire trébucher les passants ou être endommagé de quelque façon que ce soit.**
- **Ne pas utiliser une rallonge à moins que ce ne soit absolument nécessaire.** L'utilisation d'une rallonge inadéquate pourrait entraîner un risque d'incendie un choc électrique ou une électrocution.
- **Lors de l'utilisation d'un chargeur à l'extérieur, gardez-le toujours au sec et utilisez une rallonge appropriée pour l'extérieur.** L'utilisation d'une rallonge appropriée pour l'extérieur réduit le risque de choc électrique.
- **Une rallonge doit avoir un calibre de fil (AWG ou calibre américain normalisé des fils) approprié pour la sécurité.** Plus le numéro de calibre du fil est petit, plus le cordon est lourd et par conséquent plus sa capacité est grande. Un cordon de taille inférieure entraînera une chute de tension de secteur ce qui causera une perte de puissance et une surchauffe. Le tableau suivant affiche la bonne taille à utiliser selon longueur totale des de toutes les rallonges branchées ensemble et l'intensité nominale de la plaque signalétique. En cas de doute, utilisez le calibre le plus lourd suivant.

### Calibre minimum pour rallonges électriques

Volts	Longueur totale de la rallonge en pieds (mètres)				
	25 (7,6)	50 (15,2)	100 (30,5)	150 (45,7)	
Courant nominal	AWG (American Wire Gauge)				
					Plus de
0	6	18	16	16	14
6	10	18	16	14	12
10	12	16	16	14	12
12	16	14	12	Non recommandé	

- **Ne pas placer tout objet sur le dessus du chargeur ou placer le chargeur sur une surface molle qui pourrait bloquer les fentes de ventilation et entraîner une chaleur interne excessive.** Placez le chargeur loin de toute source de chaleur. Le chargeur est ventilé grâce aux fentes du dessus et du bas du boîtier.
- **Ne pas utiliser le chargeur avec un cordon ou une fiche endommagé.** Faites-les remplacer immédiatement.



- **Ne pas utiliser le chargeur s'il a reçu un choc violent, s'il a été échappé ou est autrement endommagé de quelque façon que ce soit.** Apportez-le dans un centre de services autorisé.
- **Ne pas démonter le chargeur; apportez-le dans un centre de services autorisé lorsqu'un entretien ou une réparation est nécessaire.** Un mauvais réassemblage peut entraîner un danger de choc électrique, une électrocution ou un incendie.
- **Le chargeur est conçu pour fonctionner sur une alimentation électrique domestique 120 V. Ne pas essayer de l'utiliser sur toute autre tension.** Cela ne s'applique pas au chargeur véhiculaire.
- **Les matières étrangères conductrices telles, mais sans s'y limiter, les poussières de meulage, les copeaux métalliques, la laine d'acier, le papier d'aluminium ou toute accumulation de particules métalliques devraient être éloignées des ouvertures du chargeur et des fentes de ventilation.**
- **Débranchez toujours le chargeur de l'alimentation lorsqu'il n'y a aucun bloc-piles à l'intérieur.**

## Charger une pile (Fig. C)

1. Branchez le chargeur dans une prise appropriée.
2. Insérez et appuyez complètement le bloc-piles. Le voyant de chargement rouge clignotera constamment pendant le chargement.
3. Le chargement est terminé lorsque le voyant rouge reste allumé en permanence. Le bloc-piles peut être laissé dans le chargeur ou retiré. Certains chargeurs nécessitent d'appuyer sur le bouton de libération du bloc-piles pour les retirer.
4. Le chargeur ne charge pas un bloc-piles défectueux, ce qui peut être indiqué par le voyant qui reste éteint. Apportez le chargeur et le bloc-piles dans un centre de services autorisé si le voyant reste éteint.

**REMARQUE :** Consultez l'étiquette près du voyant de chargement sur le chargeur pour les modèles de clignotement. Les vieux chargeurs peuvent avoir des renseignements supplémentaires et/ou peuvent ne pas avoir un voyant jaune.

### Délai en cas de bloc chaud ou froid

Lorsque le chargeur détecte un bloc-piles qui est trop chaud ou trop froid, il démarre automatiquement le délai pour le bloc chaud/froid, suspendant la recharge jusqu'à ce que la température du bloc-piles ait atteint une température appropriée. Le chargeur passe alors automatiquement en mode de chargement du bloc-piles. Cette fonction assure une durée de vie maximale du bloc-piles.

Un bloc-piles froid peut se charger à une vitesse plus lente qu'un bloc-piles chaud.

Le délai du bloc chaud/froid sera indiqué par le voyant rouge continuant à clignoter, mais avec le voyant jaune restant allumé. Une fois que le bloc-piles aura atteint la température appropriée, le voyant jaune s'éteindra et le chargeur reprendra la procédure de chargement.

## Chargeurs DCB118 et DCB1112

Les chargeurs DCB118 et DCB1112 sont munis d'un ventilateur interne conçu pour refroidir le bloc-piles. Le ventilateur se mettra automatiquement en marche lorsque le bloc-piles devra être refroidi.

## Système de protection électronique

Les outils Li-Ion sont conçus avec un système de protection électronique qui protégera le bloc-piles contre une surcharge, une surchauffe et une importante décharge. L'outil s'éteindra automatiquement et le bloc-piles devra être rechargé.

## Remarques importantes sur le chargement

1. Le chargeur et le bloc-piles peuvent devenir chauds au toucher durant le chargement. C'est un état normal et cela n'indique pas un problème. Pour faciliter le refroidissement du bloc-piles après l'utilisation, évitez de placer le chargeur ou le bloc-piles dans un environnement chaud comme une remise en métal ou une remorque non isolée.
2. Si le bloc-piles ne charge pas de adéquatement :
  - a. Vérifiez le fonctionnement de la prise en branchant une lampe ou un autre appareil;
  - b. Vérifiez si la prise d'alimentation est connectée à un interrupteur de lumière qui s'éteint lorsque vous éteignez les lumières;
  - c. Si les problèmes de chargement persistent, apportez l'outil, le bloc-piles et le chargeur dans votre centre de services local.
3. Vous pouvez charger un bloc partiellement utilisé au moment désiré sans effet indésirable sur le bloc-piles.

## Instructions de nettoyage du chargeur



**AVERTISSEMENT :** danger de choc électrique. Débranchez le chargeur de la prise CA avant de nettoyer. La saleté et la graisse peuvent être retirées des surfaces extérieures du chargeur à l'aide d'un linge ou d'une brosse souple non métallique. Ne pas utiliser d'eau ou de solution nettoyante.

## Montage mural

Certains chargeurs DEWALT sont conçus pour pouvoir être installés au mur ou être placés verticalement sur une table ou une surface de travail. Pour le montage mural, placez le chargeur près d'une prise de courant et loin d'un coin ou d'autres obstructions qui peuvent nuire à la circulation de l'air. Utilisez la base du chargeur comme modèle pour l'emplacement des vis de montage. Fixez solidement le chargeur à l'aide de vis pour cloison sèche (achetées séparément) d'au moins 25,4 mm (1 po) de longueur avec un diamètre de tête de vis de 7 à 9 mm (0,28 à 0,35 po) vissées dans du bois à une profondeur optimale en laissant exposée une partie de vis d'environ 5,5 mm (7/32 po). Alignez les fentes au dos du chargeur avec les vis exposées et insérez-les entièrement dans les fentes.

**CONSERVER CES CONSIGNES POUR UTILISATIONS ULTÉRIEURE**

## ASSEMBLAGE ET AJUSTEMENTS



**AVERTISSEMENT :** afin de réduire le risque de blessure corporelle, éteignez l'appareil et retirez le bloc-piles avant d'effectuer tout ajustement ou de retirer/installer des pièces ou des accessoires.

Un déclenchement accidentel du démarrage peut causer des blessures.

### Insérer et retirer le bloc-piles de l'outil (Fig. D)

**REMARQUE :** Assurez-vous que votre bloc-piles **3** est complètement chargé.

#### Pour installer le bloc-piles dans la poignée de l'outil

1. Alignez le bloc-piles **3** avec les glissières à l'intérieur de la poignée de l'outil (Fig. D).
2. Glissez-le dans la poignée jusqu'à ce que le bloc-piles soit solidement en place dans l'outil et assurez-vous que vous entendez le verrou cliquer en place.

#### Pour retirer le bloc-piles de l'outil

1. Appuyez sur le bouton de libération **13** et tirez le bloc-piles fermement hors de la poignée l'outil.
2. Insérez le bloc-piles dans le chargeur tel que décrit dans la section du chargeur du présent guide.

## Changer les lames

### Pour installer la lame (Fig. A, F, G)

1. Retirer le bloc-piles.
2. À l'aide du levier du protecteur inférieur **6**, rétractez le protecteur inférieur de la lame **7** et placez la lame sur l'axe de la scie contre la rondelle de la pince interne **17** en vous assurant que la lame tournera dans le bon sens (le sens de la flèche de rotation sur la lame de la scie et les dents doivent pointer dans le même sens que le sens de la flèche de la rotation sur la scie). Ne pas tenir pour acquis que l'impression sur la lame sera toujours face à vous lorsqu'elle est correctement installée. Lorsque vous rétractez le protecteur inférieur de la lame, vérifiez l'état et le fonctionnement du protecteur inférieur de la lame pour vous assurer qu'il fonctionne correctement. Assurez-vous qu'il se déplace librement et qu'il ne touche pas la lame et toute autre pièce, dans tous les angles et toutes les profondeurs de coupe.
3. Placez la rondelle de la pince extérieure **16** sur l'axe de la scie avec le bord biseauté vers l'extérieur. Assurez-vous que le diamètre de 30 mm sur le côté de la lame de la pince entre dans le trou de 30 mm dans la lame de la scie afin d'assurer le centrage de la lame.
4. Enfillez la vis de serrage de la lame **8** dans l'axe de la scie à la main (la vis a un filetage à droite et doit être tournée dans le sens des aiguilles d'une montre pour serrer).
5. Appuyez sur le verrou de la lame **11** tout en tournant la clé de lame **32** rangée sous le compartiment des piles jusqu'à ce que le verrou de la lame s'enclenche et que la lame cesse de tourner.

6. Vissez solidement la vis de serrage de la lame avec la clé de la lame.

**AVIS :** ne jamais enclencher le verrou de la lame pendant que la scie fonctionne ou s'efforcer d'arrêter l'outil. Ne jamais mettre la scie en marche pendant que le verrou de la lame est enclenché. Cela entraînera des dommages graves à votre scie.

### Pour remplacer la lame (Fig. A, F, G)

1. Retirer le bloc-piles.
2. Pour dévisser la vis de serrage de la lame **8**, appuyez sur le verrou de la lame **11** et tournez l'axe de la scie avec la clé pour lame **32** rangée sous le compartiment des piles jusqu'à ce que le verrou de la lame s'enclenche et que la lame cesse de tourner. Avec le verrou de la lame enclenché, tournez la vis de serrage de la lame dans le sens contraire des aiguilles d'une montre avec la clé pour lame (la vis a un filetage à droite et doit être tournée dans le sens contraire des aiguilles d'une montre pour dévisser).
3. Retirez la vis de serrage de la lame **8** et la rondelle de la pince extérieure **16**. Retirez la vieille lame.
4. Nettoyez toute sciure qui peut s'accumuler dans le protecteur ou la zone de la rondelle de la pince et vérifiez l'état et le fonctionnement du protecteur inférieur de la lame comme décrit précédemment. Ne pas lubrifier cette zone.
5. Sélectionnez la lame appropriée pour l'application (consultez **Lames**). Utilisez toujours des lames qui sont de la bonne taille (diamètre) avec un trou central ayant la bonne taille et la bonne forme pour le montage sur l'axe de la scie. Assurez-vous que la vitesse maximale recommandée (tr/min) sur la lame de la scie respecte ou dépasse la vitesse (tr/min) de la scie.
6. Suivez les étapes 1 à 5 sous **Pour installer la lame** en vous assurant que la lame tournera dans le bon sens.

### Protecteur inférieur de la lame



**AVERTISSEMENT :** le protecteur inférieur de la lame est une fonction de sécurité qui réduit le risque de blessure corporelle grave. Ne jamais utiliser la scie si le protecteur inférieur est manquant, endommagé, mal assemblé ou ne fonctionne pas correctement. Ne pas compter sur le protecteur inférieur de la lame pour vous protéger en toutes circonstances. Votre sécurité dépend de tous les avertissements et toutes les précautions ainsi qu'une utilisation appropriée de la scie. Vérifiez le protecteur inférieur de la lame pour une fermeture appropriée avant chaque utilisation. Si le protecteur inférieur de la lame est manquant ou ne fonctionne pas correctement, faites réparer la scie avant l'utilisation. Afin d'assurer votre sécurité et la fiabilité du produit, les réparations, l'entretien et les ajustements doivent être effectués dans un centre de service ou une organisation de service autorisée, toujours en utilisant des pièces de remplacement identiques.

## Vérifier le protecteur inférieur (Fig. A)

1. Éteignez l'outil et débranchez-le de l'alimentation.
2. Tournez le levier rétractable du protecteur inférieur **6** de la position complètement fermée à la position complètement ouverte.
3. Relâchez le levier et observez le protecteur **7** retourner à la position complètement fermée.

L'outil doit être entretenu par un centre de services qualifié si :

- il ne réussit pas à retourner à la position complètement fermée,
- il se déplace de façon intermittente ou lentement, ou
- il entre en contact avec la lame ou toute partie de l'outil dans tous les angles et toutes les profondeurs de coupe.

## Lames



**AVERTISSEMENT :** afin de minimiser le risque de blessure aux yeux, portez toujours une protection pour les yeux. Le carbure est un matériau dur mais friable. Les objets étrangers dans la pièce de travail comme des fils ou des clous peuvent faire en sorte que les extrémités craquent ou se brisent. La scie fonctionne seulement lorsque le protecteur approprié de la lame de la scie est en place. Installez solidement la lame dans la bonne rotation avant l'utilisation et utilisez toujours une lame affûtée propre.



**AVERTISSEMENT :** ne pas couper du métal, du plastique, du béton, de la maçonnerie ou des matériaux à fibre de ciment avec cette scie.

### Diamètre de 184 mm (7-1/4 po)

Application	Dents
Refendre	24
Objectif général	36
Finition	60

Si vous avez besoin d'aide concernant les lames, veuillez contacter votre détaillant DEWALT local.

## Rebond

Le rebond est une réaction soudaine d'une lame de la scie pincée, bloquée ou désalignée, causant une scie non contrôlée qui se soulève et sort de la pièce de travail vers l'utilisateur. Lorsque la lame est pincée ou bloquée serrée par la fermeture du trait de scie, la lame bloque et la réaction du moteur ramène rapidement l'outil vers l'utilisateur. Si la lame devient tordue ou désalignée dans la coupe, les dents du bord arrière de la lame peuvent pénétrer dans la surface supérieure du bois faisant sortir la lame du trait et rebondir vers l'utilisateur.

Le rebond est plus susceptible de se produire lorsqu'une des conditions suivantes est présente.

### 1. SUPPORT DE LA PIÈCE DE TRAVAIL INAPPROPRIÉ

- a. Un affaissement ou un soulèvement inapproprié du morceau coupé peut causer le pincement de la lame et entraîner un rebond.
- b. Couper dans un matériau soutenu aux deux extrémités seulement peut causer un rebond. À

mesure que le matériau s'affaiblit, il s'affaisse en fermant le trait de scie et en pinçant la lame (Fig. N).

- c. Couper un morceau de matériau en porte-à-faux ou en saillie de bas en haut dans le sens vertical peut causer un rebond. Le morceau coupé tombant peut pincer la lame.
  - d. Couper des bandes étroites longues (comme le sciage en longueur) peut causer un rebond. La bande coupée peut s'affaisser ou se tordre en fermant le trait de scie et en pinçant la lame.
  - e. Accrocher le protecteur inférieur sur la surface sous le matériau étant coupé réduit temporairement le contrôle de l'utilisateur. La scie peut se soulever partiellement hors de la coupe augmentant la possibilité que la lame se torde.
- ### 2. AJUSTEMENT INAPPROPRIÉ DE LA PROFONDEUR DE LA COUPE SUR LA SCIE
- a. Pour faire la coupe la plus efficace, la lame doit dépasser seulement assez loin pour exposer la moitié d'une dent comme illustré dans la Figure H. Cela permet au patin de soutenir la lame et réduit la torsion et le pincement dans le matériau. Consultez la section intitulée **Ajustement de la profondeur de la coupe**.

### 3. TORSION DE LA LAME (DÉSALIGNEMENT DE LA COUPE)

- a. Pousser plus pour couper dans un nœud, un clou ou une zone de grains durs peut causer la torsion de la lame.
- b. Essayer de tourner la scie dans la coupe (essayer de revenir sur la ligne indiquée) peut causer la torsion de la lame.
- c. Trop s'étirer ou faire fonctionner la scie avec un faible contrôle du corps (en déséquilibre) peut entraîner la torsion de la lame.
- d. Changer la position de la poignée et du corps pendant la coupe peut entraîner une torsion de la lame.
- e. Reculer la scie pour dégager la lame peut entraîner une torsion.

### 4. MATÉRIAUX NÉCESSITANT UNE ATTENTION PARTICULIÈRE

- a. Bois d'œuvre humide
- b. Bois d'œuvre vert (matériau fraîchement coupé ou non séché au séchoir)
- c. Bois d'œuvre traité sous pression (matériau traité avec des agents de conservation ou des produits chimiques anti-pourriture)

### 5. UTILISATION DE LAMES ÉMOUSSÉES OU SALES

- a. Les lames émoussées causent une charge accrue de la scie. Pour compenser, un utilisateur pousse habituellement plus fort ce qui charge davantage l'outil et favorise la torsion de la lame dans le trait de scie. Les lames usées peuvent aussi un dégagement insuffisant ce qui augmente la possibilité de coincement ou de charge accrue.

### 6. LEVER LA SCIE LORSQUE VOUS EFFECTUEZ UNE COUPE EN BISEAU

- Les coupes en biseau nécessitent une attention particulière pour les techniques de coupe appropriées, spécialement le guidage de la scie. Les deux angles de la lame par rapport au patin et à la plus grande surface de la lame dans le matériau augmentent la possibilité qu'un coincement et un désalignement (torsion) se produisent.

#### 7. REDÉMARRER UNE COUPE AVEC LES DENTS DE LA LAME BLOQUÉES CONTRE LE MATÉRIAU

- La scie doit être amenée à pleine vitesse de fonctionnement avant de commencer ou de recommencer une coupe après que l'outil se soit arrêté avec la lame dans le trait de scie. Ne pas le faire peut causer un blocage ou un rebond.

Toute autre condition qui pourrait entraîner un pincement, un coincement, une torsion ou un désalignement de la lame pourrait causer un rebond. Consultez les sections **Consignes de sécurité supplémentaires pour toutes les scies** et **Lames** pour des procédures et des techniques qui réduiront la fréquence du rebond.

## Ajustement de la profondeur de la coupe (Fig. G, H)

La profondeur maximale de la coupe est de 64 mm (2,5 po)

- Levez le levier d'ajustement de la profondeur **4** pour desserrer.
- Pour obtenir la bonne profondeur de la coupe, alignez la marque appropriée sur la bande d'ajustement de la profondeur **20** avec l'encoche **19** sur le protecteur supérieur de la lame.
- Serrez le levier d'ajustement de la profondeur.
- Pour une action de coupe plus efficace à l'aide d'une lame de scie à pointe au carbure, réglez l'ajustement de la profondeur afin qu'une moitié de la dent dépasse sous la surface du bois à couper.
- Une méthode de vérification de la bonne profondeur de coupe est illustrée dans la Figure H. Déposez un morceau de matériau que vous souhaitez couper le long du côté de la lame, comme illustré dans la figure, et observez dans quelle mesure la dent dépasse du matériau.

## Ajuster le levier d'ajustement de la profondeur (Fig. G)

Il peut être souhaitable d'ajuster le levier d'ajustement de la profondeur **4**. Il peut se desserrer avec le temps et heurter le patin avant de serrer.

### Pour serrer le levier :

- Tenez le levier d'ajustement de la profondeur **4** et desserrez l'écrou de verrouillage **18**.
- Ajustez le levier d'ajustement de la profondeur en tournant dans le sens désiré à environ un 1/8 de tour.
- Resserrez l'écrou.

## Ajustement de l'angle du biseau (Fig. A, I)

Le mécanisme de l'ajustement de l'angle du biseau peut être ajusté entre 0° et 57°.

Pour atteindre une meilleure précision de la coupe, utilisez les marques d'ajustement fines situées sur le support du pivot **21**.

- Levez le levier d'ajustement du biseau **10** pour desserrer.
- Inclinez le patin à l'angle désiré en alignant l'indicateur du biseau fin **22** avec la marque de l'angle désiré sur le support du pivot **21**.
- Baissez le levier d'ajustement du biseau pour resserrer.

## Cran du biseau (Fig. A, I)

Le modèle DCS570 est muni d'une fonction de cran du biseau. Lorsque vous inclinez le patin **5**, vous entendez un clic et sentirez le patin s'arrêter à la fois à 22,5 et 45 degrés. Si un de ceux-ci est l'angle désiré, resserrez le levier **10** en le baissant. Si vous désirez un autre angle, continuez d'incliner le patin jusqu'à ce que l'indicateur de biseau grossier **23** ou l'indicateur fin **22** s'aligne avec la marque désirée.

## Indicateur de la longueur de la coupe (Fig. A)

Les marques sur le côté du patin **5** indiquent la longueur de la fente étant coupée dans le matériau à une pleine profondeur de la coupe. Les marques sont par incréments de 5 mm.

## Indicateur de trait de scie (Fig. K)

Le devant du patin de la scie a un indicateur de trait de scie **9** pour la coupe verticale et en biseau. Cet indicateur vous permet de guider la scie le long des lignes de coupe indiquées au crayon sur le matériau à couper. L'indicateur de trait de scie s'aligne avec le côté gauche (extérieur) de la lame de la scie qui fait que la fente ou le « trait » coupé tombe à droite de l'indicateur. Guidez-vous le long de la ligne indiquée au crayon afin que le trait tombe dans la retaille ou le surplus de matériau.

## Installer et ajuster le guide parallèle (Fig. P)

Le guide parallèle **28** est utilisé couper parallèlement au bord de la pièce de travail.

### Installer

- Desserrez le bouton de réglage du guide parallèle **27** afin de permettre au guide parallèle de passer.
- Insérez le guide parallèle **28** dans le patin comme illustré.
- Serrez solidement le bouton d'ajustement du guide parallèle **27**.

### Ajuster

- Desserrez le bouton d'ajustement du guide **27** et réglez le guide parallèle **28** à la largeur désirée. Cet ajustement peut être lu sur l'échelle du guide parallèle.
- Serrez le bouton d'ajustement du guide **27**.

## Installer le port de dépoussiérage (Fig. A, R)

Votre scie circulaire est fournie avec un port de dépoussiérage.

### Pour installer le port de dépoussiérage

1. Desserrez complètement le levier d'ajustement de la profondeur 4.
2. Placez le patin 5 à la position la plus basse.
3. Alignez la moitié gauche du port de dépoussiérage 29 sur le protecteur supérieur de la lame 31 comme illustré. Assurez-vous d'insérer la languette dans l'encoche du moulage sur l'outil. Lorsqu'il est installé correctement, il cliquera complètement sur toute la profondeur originale de l'indicateur de la coupe.
4. Alignez la pièce du côté droit 30 avec celle de gauche.
5. Insérez les vis et serrez solidement.

### Avant d'utiliser

- Assurez-vous que les protecteurs ont été installés correctement. Le protecteur de la lame de la scie doit être en position fermée.
- Assurez-vous que la lame de la scie tourne dans le sens de la flèche sur la lame.
- Ne pas utiliser les lames de scie excessivement usées.

## FONCTIONNEMENT



**AVERTISSEMENT : afin de réduire le risque de blessure corporelle, éteignez l'appareil et retirez le bloc-piles avant d'effectuer tout ajustement ou de retirer/installer des pièces ou des accessoires.** Un déclenchement accidentel du démarrage peut causer des blessures.



**AVERTISSEMENT : respectez toujours les consignes de sécurité et les règles applicables.**

### Position appropriée des mains (Fig. L)



**AVERTISSEMENT : afin de réduire le risque de blessure corporelle grave, utilisez TOUJOURS la position des mains appropriée comme illustré.**



**AVERTISSEMENT : afin de réduire le risque de blessure grave, tenez TOUJOURS solidement en prévision d'une réaction soudaine.**

Une position des mains appropriée nécessite une main sur la poignée principale 26 avec l'autre main sur la poignée auxiliaire 12.

### Lampe de travail DEL (Fig. A)

La lampe de travail DEL 15 est activée lorsque vous appuyez sur la gâchette. Lorsque vous appuyez sur la gâchette, la lampe de travail demeure allumée durant 20 secondes.

**REMARQUE :** La lampe de travail est pour éclairer la surface de travail immédiate et n'est pas conçue pour être utilisée comme une lampe de poche.

## Mettre en marche et éteindre (Fig. E)

Pour des raisons de sécurité, la gâchette 2 de votre outil est munie d'un bouton de verrouillage 1.

Appuyez sur le bouton de verrouillage pour déverrouiller l'outil.

Pour faire fonctionner l'outil, appuyez sur la gâchette 2. Dès que la gâchette est relâchée, le bouton de verrouillage est automatiquement activé afin de prévenir un démarrage accidentel de la machine.

**AVIS : ne pas démarrer ou éteindre l'outil lorsque la lame de la scie touche la pièce de travail ou d'autres matériaux.**

## Soutien de la pièce de travail (Fig. L–O)



**AVERTISSEMENT : afin de réduire le risque de blessure corporelle grave, soutenez le travail de façon appropriée et tenez solidement la scie afin de prévenir une perte de contrôle.**

Les Figures L et M montre la position appropriée du sciage. Les Figures N et O montre un état non sécuritaire. Les mains doivent être tenues à l'écart de la zone de la coupe. Afin d'éviter un rebond, soutenez TOUJOURS la planche ou le panneau PRÈS de la coupe (Fig. L et M). NE PAS soutenir la planche ou le panneau loin de la coupe (Fig. N et O). Lorsque vous utilisez la scie, gardez le cordon à l'écart de la zone de la coupe et empêchez-le de s'accrocher sur la pièce de travail. DÉBRANCHEZ TOUJOURS LA SCIE AVANT D'EFFECTUER TOUT AJUSTEMENT! Placez le travail avec son « bon » côté, celui dont l'apparence est la plus importante, vers le bas. La scie coupe vers le haut, ainsi tout fractionnement sera sur la face de travail qui est vers le haut lorsque vous la sciez.

## Couper (Fig. L, M, O)



**AVERTISSEMENT : Ne jamais tenter d'utiliser cet outil en le déposant à l'envers sur la surface de travail et en apportant le matériau à l'outil. Serrez toujours la pièce de travail solidement et apportez l'outil à la pièce de travail, en tenant l'outil solidement avec les deux mains comme illustré dans la Figure L.**

Placez la plus grande partie du patin de la scie sur cette partie de la pièce de travail qui est solidement soutenue, pas sur la section qui tombera lorsque la coupe sera effectuée. À titre d'exemple, la Figure M illustre la BONNE façon de couper l'extrémité d'une planche. Fixez toujours le travail. Ne pas essayer de tenir de petits morceaux à la main! Rappelez-vous de soutenir le matériau en porte-à-faux ou en saillie. Soyez prudent lorsque vous sciez le matériau à partir du dessous. Assurez-vous que la scie a atteint la pleine vitesse avant que la lame entre en contact avec le matériau à couper. Démarrer la scie avec la lame contre le matériau à couper ou poussée vers l'avant dans le trait de scie peut entraîner un rebond. Poussez la scie vers l'avant à une vitesse qui permet à la lame de couper sans travailler. La dureté et la résistance peuvent varier même dans le morceau de matériau et les sections noueuses ou humides peuvent mettre une charge lourde sur la scie. Lorsque cela se produit, poussez la scie plus lentement, mais suffisamment fort pour garder en fonction sans réduire considérablement la vitesse. Forcer

la scie peut causer des coupes grossières, de l'imprécision, des rebonds et de la surchauffe du moteur. Si votre coupe commence à quitter la ligne, ne pas essayer de la forcer à y retourner. Relâchez la gâchette et laissez la lame s'arrêter complètement. Vous pouvez ensuite retirer la scie, la regarder à nouveau et démarrer une nouvelle coupe légèrement à l'intérieur de la mauvaise coupe. En tout cas, retirez la scie si vous devez changer la coupe. Forcer une correction à l'intérieur de la coupe peut bloquer la scie et entraîner un rebond.

**SI LA SCIE BLOQUE, RELÂCHEZ LA GÂCHETTE ET RECULEZ LA SCIE JUSQU'À CE QU'ELLE SOIT LIBRE. ASSUREZ-VOUS QUE LA LAME EST DROITE DANS LA COUPE ET QUE LE BORD COUPANT EST DÉGAGÉ AVANT DE REDÉMARRER.**

Lorsque vous finissez une coupe, relâchez la gâchette et laissez la lame s'arrêter avant de lever la scie du travail. Lorsque vous levez la scie, le protecteur télescopique à ressort se ferme automatiquement sous la lame. Rappelez-vous que la lame est exposée jusqu'à ce que cela se produise. Ne jamais passer votre main sous le travail pour quelque raison que ce soit. Lorsque vous devez rétracter le protecteur télescopique manuellement (au besoin pour commencer des encoches), utilisez toujours le levier de rétraction.

**REMARQUE :** Lorsque vous coupez des bandes étroites, veiller à ce que les petits morceaux coupés ne soient pas suspendus à l'intérieur du protecteur inférieur.

### Couper des encoches (Fig. Q)

**AVERTISSEMENT :** ne jamais attacher le protecteur de la lame en position élevée. Ne jamais déplacer la scie vers l'arrière lorsque vous coupez une encoche. Cela peut faire en sorte que l'outil se soulève de la surface de travail ce qui pourrait causer une blessure.

Une encoche est une coupe faite dans un plancher, un mur ou une autre surface plate.

1. Ajustez le patin de la scie afin que la lame coupe à la profondeur désirée.
2. Inclinez la scie vers l'avant et déposez l'avant du patin sur le matériau à couper.
3. À l'aide du levier de rétraction du protecteur inférieur, rétractez le protecteur inférieur de la lame à une position élevée. Abaissez l'arrière du patin jusqu'à ce que les dents de la lame touchent presque la ligne de coupe.
4. Relâchez le protecteur de la lame (son contact avec le travail le gardera en position pour ouvrir librement lorsque vous commencez la coupe). Retirez votre main du levier du protecteur et saisissez solidement la poignée auxiliaire **12** comme illustré dans la Figure Q. Placez votre corps et vos bras de façon à ce qu'ils vous permettent de résister au rebond s'il se produit.
5. Assurez-vous que la lame n'est pas en contact avec la surface à couper avant de démarrer la scie.
6. Démarrez le moteur et baissez graduellement la scie jusqu'à ce que son patin soit à plat sur le matériau à couper. Avancez la scie le long de la ligne de coupe jusqu'à ce que la coupe soit terminée.
7. Relâchez la gâchette et laissez la lame s'arrêter complètement avant de retirer la lame du matériau.

8. Lorsque vous démarrez chaque nouvelle coupe, répétez ce qui précède.

### Dépoussiérage (Fig. R-T)

**AVERTISSEMENT :** risque d'inhalation de la poussière. Afin de réduire le risque de blessure corporelle, portez **TOUJOURS** un masque antipoussières approuvé.

Un port de dépoussiérage **29** est fourni avec votre outil.

Le port de dépoussiérage vous permet de connecter l'outil à un du dépoussiéreur externe, soit à l'aide du système AirLock™ (DWV9000-XJ) ou l'installation d'un dépoussiéreur 35 mm standard.

**AVERTISSEMENT :** utilisez **TOUJOURS** un dépoussiéreur conçu conformément aux directives applicables concernant les émissions de poussière lors du sciage du bois. Les tuyaux de la plupart ses aspirateurs s'ajusteront directement dans la prise du dépoussiéreur.

### Crochet de suspension (Fig. A)

**AVERTISSEMENT :** afin de réduire de blessure corporelle grave, ne pas utiliser le crochet de suspension de l'outil pour suspendre l'outil à partir de votre corps. NE PAS utiliser le crochet de suspension pour attacher ou sécuriser l'outil à une personne ou un objet durant l'utilisation. NE PAS suspendre l'outil au plafond ou suspendre des objets à partir du crochet de suspension.

**AVERTISSEMENT :** afin de réduire le risque de blessure due à la chute de la scie circulaire sur les utilisateurs ou les passants, assurez-vous qu'elle est soutenue de façon sécuritaire lorsque le crochet de suspension est utilisé ou repose dans un endroit sécuritaire et stable lorsqu'il n'est pas utilisé. Assurez-vous de maintenir la zone au-dessous dégagée afin réduire le risque de chute de l'outil ou de matériel et que cela frappe quelqu'un ou quelque chose au-dessous.

La scie circulaire à un crochet de suspension pratique **14** qui permet de la suspendre sur une structure stable appropriée entre les utilisations. Le crochet de suspension n'est pas fait pour attacher ou fixer l'outil à une personne ou un objet durant l'utilisation en position élevée.

### MAINTENANCE

**AVERTISSEMENT :** afin de réduire le risque de blessure corporelle, éteignez l'appareil et retirez le bloc-piles avant d'effectuer tout ajustement ou de retirer/installer des pièces ou des accessoires. Un déclenchement accidentel du démarrage peut causer des blessures.

### Puce Tool Connect™ (Fig. U)

**AVERTISSEMENT :** afin de réduire le risque de blessure, retirez les accessoires du mandrin de l'outil avant toute interaction avec Tool Connect™.

Votre outil est compatible à la puce Tool Connect™ et il a un emplacement pour l'installation de la puce Tool Connect™.

Cette puce Tool Connect™ est une application optionnelle pour votre appareil intelligent (comme un téléphone

intelligent ou une tablette) qui connecte l'appareil afin d'utiliser l'application mobile pour des fonctions de gestion de l'inventaire.

Consultez la Feuille d'instructions de la puce Tool Connect<sup>MC</sup> pour plus de renseignements.

## Installer la puce Tool Connect<sup>MC</sup>

1. Retirez la vis de retenue **33** qui maintient le couvercle de protection de la puce Tool Connect<sup>MC</sup> **34** dans l'outil.
2. Retirez le couvercle de protection et insérez la puce Tool Connect<sup>MC</sup> dans la poche vide **35**.
3. Assurez-vous que la puce Tool Connect<sup>MC</sup> est égale au boîtier. Fixez-la avec les vis de retenue et serrez les vis.
4. Consultez la Feuille d'instructions de la puce Tool Connect<sup>MC</sup> pour des instructions supplémentaires.

## Nettoyage



**AVERTISSEMENT :** *enlever les saletés et la poussière hors des événements au moyen d'air comprimé propre et sec, au moins une fois par semaine. Pour minimiser le risque de blessure aux yeux, toujours porter une protection oculaire conforme à la norme ANSI Z87.1 lors du nettoyage.*



**AVERTISSEMENT :** *ne jamais utiliser de solvants ni d'autres produits chimiques puissants pour nettoyer les pièces non métalliques de l'outil. Ces produits chimiques peuvent affaiblir les matériaux de plastique utilisés dans ces pièces. Utiliser un chiffon humecté uniquement d'eau et de savon doux. Ne jamais laisser de liquide pénétrer dans l'outil et n'immerger aucune partie de l'outil dans un liquide.*

## Protecteur inférieur

Le protecteur doit toujours tourner et se fermer librement de la position complètement ouverte à complètement fermée. Vérifiez toujours le bon fonctionnement avant de couper en ouvrant complètement le protecteur et en le laissant se fermer. Si le protecteur se ferme lentement ou pas complètement, il doit être nettoyé ou entretenu. Ne pas utiliser la scie jusqu'à ce qu'elle fonctionne correctement. Pour nettoyer le protecteur, utiliser de l'air sec ou une brosse douce pour retirer toute la sciure ou tous les débris accumulés de la trajectoire du protecteur et autour du ressort du protecteur. Si cela ne corrige pas le problème, il doit être entretenu par un centre de services autorisé.

## Ajustement de la plaque de base (Fig. 1, J)

Votre plaque de base a été réglée en usine pour assurer que la lame est perpendiculaire à la plaque de base. Si après une utilisation prolongée vous devez réaligner la lame, suivez les directives ci-dessous :

### Ajuster pour les coupes à 90 degrés

1. Remettez la scie à un biseau de 0 degré.
2. Placez la scie sur son côté et rétractez le protecteur inférieur.
3. Réglez la profondeur de la coupe à 51 mm.
4. Desserrez le levier d'ajustement du biseau (**10**, Fig. 1). Placez une équerre contre la lame et la plaque de base comme illustré dans la Figure 1

5. À l'aide d'une clé, tournez la vis de réglage (**25**, Fig. J) sous la plaque de base jusqu'à ce que la lame et la plaque de base soient tous les deux en contact avec l'équerre. Resserrez le levier d'ajustement du biseau.

## Ajuster le levier d'ajustement du biseau

Il peut être souhaitable d'ajuster le levier d'ajustement du biseau **10**. Il peut se desserrer avec le temps et heurter la plaque de base avant de serrer.

### Pour serrer le levier :

1. Tenez le levier d'ajustement du biseau **10** et desserrez l'écrou de verrouillage du biseau **24**.
2. Ajustez le levier d'ajustement du biseau en tournant dans le sens désiré à environ un 1/8 de tour.
3. Resserrez l'écrou.

## Lames

Une lame émoussée causera une surcharge de coupe inefficace sur le moteur de la scie, un fractionnement excessif et augmentera la possibilité de rebond. Changez les lames lorsque cela devient difficile de pousser la scie dans la coupe, lorsque le moteur est mis à rude épreuve ou lorsqu'une chaleur excessive s'accumule sur la lame. Il est bon de garder des lames supplémentaires à proximité afin que des lames affûtées soient disponibles pour une utilisation immédiate. Les lames émoussées peuvent être affûtées dans la plupart des zones.

La gomme durcie sur la lame peut être retirée avec du kérosène, de la térébenthine ou un nettoyant pour fours. Les lames à couche antiadhésive peuvent être utilisées dans les applications où il y a une accumulation excessive, comme le bois d'œuvre vert ou traité sous pression.

## Accessoires



**AVERTISSEMENT :** *puisque les accessoires autres que ceux offerts par DEWALT n'ont pas été testés avec ce produit, leur utilisation pourrait s'avérer dangereuse. Pour réduire le risque de blessures, utiliser exclusivement les accessoires DEWALT recommandés avec le présent produit.*

Les accessoires recommandés pour cet outil sont vendus séparément au centre de service de votre région. Pour obtenir de l'aide concernant l'achat d'un accessoire, communiquer avec DEWALT, composer le 1 800 433-9258 (1 800 4-DEWALT) ou visiter notre site Web : [www.dewalt.com](http://www.dewalt.com).

## Réparations

Le chargeur et le bloc-piles ne sont pas réparables. Le chargeur ou le bloc-piles ne comportent aucune pièce réparabile.



**AVERTISSEMENT :** *pour assurer la SÉCURITÉ et la FIABILITÉ du produit, les réparations, l'entretien et les réglages doivent être réalisés (cela comprend l'inspection et le remplacement du balai, le cas échéant) par un centre de réparation en usine DEWALT ou un centre de réparation agréé DEWALT. Toujours utiliser des pièces de rechange identiques.*

## Registre en ligne

Merci pour votre achat. Enregistrez dès maintenant votre produit:

- **RÉPARATIONS SOUS GARANTIE:** cette carte remplie vous permettra de vous prévaloir du service de réparations sous garantie de façon plus efficace dans le cas d'un problème avec le produit.
- **CONFIRMATION DE PROPRIÉTÉ:** en cas de perte provoquée par un incendie, une inondation ou un vol, cette preuve de propriété vous servira de preuve auprès de votre compagnie d'assurances.
- **SÉCURITÉ:** l'enregistrement de votre produit nous permettra de communiquer avec vous dans l'éventualité peu probable de l'envoi d'un avis de sécurité régi par la loi fédérale américaine de la protection des consommateurs.
- Registre en ligne à **[www.dewalt.com](http://www.dewalt.com)**.

## Garantie limitée de trois ans

Pour les conditions de la garantie, allez à <https://www.dewalt.com/Legal/Warranty/3-Year-Limited-Warranty>.

Pour demander une copie écrite des conditions de la garantie, contactez : le service à la clientèle au DEWALT Industrial Tool Co., 701 East Joppa Road, Towson, MD 21286 ou appelez au 1-800-4-DEWALT (1-800-433-9258).





**ADVERTENCIA:** Lea todas las advertencias de seguridad e instrucciones. El incumplimiento de las advertencias e instrucciones puede provocar descargas eléctricas, incendios o lesiones graves.



**ADVERTENCIA:** Para reducir el riesgo de lesiones, lea el manual de instrucciones.

## Uso Pretendido

Estas sierras circulares de servicio pesado están diseñadas para aplicaciones de corte de madera profesionales. No corte materiales de metal, plástico, mampostería o cemento de fibra. **NO** use conexiones de alimentación de agua con esta sierra. **NO** use ruedas o cuchillas abrasivas. **NO** use bajo condiciones húmedas o en la presencia de líquidos o gases inflamables.

Estas sierras de servicio pesado son herramientas eléctricas profesionales.

**NO** permita que niños estén en contacto con la herramienta. Se requiere supervisión cuando operadores sin experiencia operen esta herramienta.

## Definiciones: Símbolos y Palabras de Alerta de Seguridad

Este manual de instrucciones utiliza los siguientes símbolos y palabras de alerta de seguridad para alertarle de situaciones peligrosas y del riesgo de lesiones corporales o daños materiales.



**PELIGRO:** Indica una situación de peligro inminente que, si no se evita, provocará **la muerte o lesiones graves**.



**ADVERTENCIA:** Indica una situación de peligro potencial que, si no se evita, **podría provocar la muerte o lesiones graves**.



**ATENCIÓN:** Indica una situación de peligro potencial que, si no se evita, **posiblemente provocaría lesiones leves o moderadas**.



(Utilizado sin palabras) indica un mensaje de seguridad relacionado.

**AVISO:** Se refiere a una práctica **no relacionada a lesiones corporales** que de no evitarse **puede resultar en daños a la propiedad**.

## ADVERTENCIAS GENERALES DE SEGURIDAD PARA HERRAMIENTAS ELÉCTRICAS



**ADVERTENCIA:** Lea todas las advertencias de seguridad, instrucciones, ilustraciones y especificaciones incluidas con esta herramienta eléctrica. La falla en seguir todas las instrucciones siguientes puede resultar en descarga eléctrica, incendio y/o lesiones serias.

## CONSERVE TODAS LAS ADVERTENCIAS E INSTRUCCIONES PARA FUTURAS CONSULTAS

El término "herramienta eléctrica" incluido en las advertencias hace referencia a las herramientas eléctricas operadas con

corriente (con cable eléctrico) o a las herramientas eléctricas operadas con baterías (inalámbricas).

### 1) Seguridad en el Área de Trabajo

- Mantenga el área de trabajo limpia y bien iluminada.** Las áreas abarrotadas y oscuras propician accidentes.
- No opere las herramientas eléctricas en atmósferas explosivas, como ambientes donde haya polvo, gases o líquidos inflamables.** Las herramientas eléctricas originan chispas que pueden encender el polvo o los vapores.
- Mantenga alejados a los niños y a los espectadores de la herramienta eléctrica en funcionamiento.** Las distracciones pueden provocar la pérdida de control.

### 2) Seguridad Eléctrica

- Los enchufes de la herramienta eléctrica deben adaptarse al tomacorriente. Nunca modifique el enchufe de ninguna manera. No utilice ningún enchufe adaptador con herramientas eléctricas con conexión a tierra.** Los enchufes no modificados que se adaptan a los tomacorrientes reducirán el riesgo de descarga eléctrica.
- Evite el contacto corporal con superficies con descargas a tierra como, por ejemplo, tuberías, radiadores, cocinas eléctricas y refrigeradores.** Existe mayor riesgo de descarga eléctrica si su cuerpo está puesto a tierra.
- No exponga las herramientas eléctricas a la lluvia o a condiciones de humedad.** Si entra agua a una herramienta eléctrica, aumentará el riesgo de descarga eléctrica.
- No maltrate el cable. Nunca utilice el cable para transportar, tirar o desenchufar la herramienta eléctrica. Mantenga el cable alejado del calor, el aceite, los bordes filosos y las piezas móviles.** Los cables dañados o enredados aumentan el riesgo de descarga eléctrica.
- Al operar una herramienta eléctrica en el exterior, utilice un cable prolongador adecuado para tal uso.** Utilice un cable adecuado para uso en exteriores a fin de reducir el riesgo de descarga eléctrica.
- Si el uso de una herramienta eléctrica en un lugar húmedo es imposible de evitar, utilice un suministro protegido con un interruptor de circuito por falla a tierra (GFCI).** El uso de un GFCI reduce el riesgo de descargas eléctricas.

### 3) Seguridad Personal

- Permanezca alerta, controle lo que está haciendo y utilice el sentido común cuando emplee una herramienta eléctrica. No utilice una herramienta eléctrica si está cansado o bajo el efecto de drogas, alcohol o medicamentos.** Un momento de descuido mientras se opera una herramienta eléctrica puede provocar lesiones personales graves.

- b) **Utilice equipos de protección personal. Siempre utilice protección para los ojos.** En las condiciones adecuadas, el uso de equipos de protección, como máscaras para polvo, calzado de seguridad antideslizante, cascos o protección auditiva, reducirá las lesiones personales.
- c) **Evite el encendido por accidente. Asegúrese de que el interruptor esté en la posición de apagado antes de conectarlo a la fuente de energía o paquete de baterías, o antes de levantar o transportar la herramienta.** Transportar herramientas eléctricas con el dedo apoyado en el interruptor o enchufar herramientas eléctricas con el interruptor en la posición de encendido puede propiciar accidentes.
- d) **Retire la clavija de ajuste o la llave de tuercas antes de encender la herramienta eléctrica.** Una llave de tuercas o una clavija de ajuste que quede conectada a una pieza giratoria de la herramienta eléctrica puede provocar lesiones personales.
- e) **No se estire. Conserve el equilibrio y párese adecuadamente en todo momento.** Esto permite un mejor control de la herramienta eléctrica en situaciones inesperadas.
- f) **Use la vestimenta adecuada. No use ropas holgadas ni joyas. Mantenga el cabello, la ropa y los guantes alejados de las piezas en movimiento.** Las ropas holgadas, las joyas o el cabello largo pueden quedar atrapados en las piezas en movimiento.
- g) **Si se suministran dispositivos para la conexión de accesorios con fines de recolección y extracción de polvo, asegúrese de que estén conectados y que se utilicen correctamente.** El uso de dispositivos de recolección de polvo puede reducir los peligros relacionados con el polvo.
- h) **No permita que la familiaridad obtenida a partir del uso frecuente de herramientas le permitan volverse descuidado e ignorar los principios de seguridad de la herramienta.** Una acción descuidada puede causar lesiones severas en una fracción de segundo.

#### 4) Uso y Mantenimiento de la Herramienta Eléctrica

- a) **No fuerce la herramienta eléctrica. Utilice la herramienta eléctrica correcta para el trabajo que realizará.** Si se la utiliza a la velocidad para la que fue diseñada, la herramienta eléctrica correcta permite trabajar mejor y de manera más segura.
- b) **No utilice la herramienta eléctrica si no puede encenderla o apagarla con el interruptor.** Toda herramienta eléctrica que no pueda ser controlada mediante el interruptor es peligrosa y debe repararse.
- c) **Desconecte el enchufe de la fuente de alimentación y/o retire la batería, o paquete si es desmontable, de la herramienta eléctrica antes de realizar cualquier ajuste, cambiar accesorios o almacenar herramientas eléctricas.** Estas medidas

de seguridad preventivas reducen el riesgo de encender la herramienta eléctrica en forma accidental.

- d) **Guarde la herramienta eléctrica que no esté en uso fuera del alcance de los niños y no permita que otras personas no familiarizadas con ella o con estas instrucciones operen la herramienta.** Las herramientas eléctricas son peligrosas si son operadas por usuarios no capacitados.
- e) **Dé mantenimiento a las herramientas eléctricas y accesorios. Revise que no haya piezas en movimiento mal alineadas o trabadas, piezas rotas o cualquier otra situación que pueda afectar el funcionamiento de la herramienta eléctrica. Si encuentra daños, haga reparar la herramienta eléctrica antes de utilizarla.** Se producen muchos accidentes a causa de las herramientas eléctricas que carecen de un mantenimiento adecuado.
- f) **Mantenga las herramientas de corte afiladas y limpias.** Las herramientas de corte con mantenimiento adecuado y con los bordes de corte afilados son menos propensas a trabarse y son más fáciles de controlar.
- g) **Utilice la herramienta eléctrica, los accesorios y las brocas de la herramienta, etc. de acuerdo con estas instrucciones y teniendo en cuenta las condiciones de trabajo y el trabajo que debe realizarse.** El uso de la herramienta eléctrica para operaciones diferentes de aquéllas para las que fue diseñada podría originar una situación peligrosa.
- h) **Mantenga las manijas y superficies de sujeción secas, limpias y libres de aceite y grasa.** Las manijas y superficies de sujeción resbalosas no permiten el manejo y control seguros de la herramienta en situaciones inesperadas.

#### 5) Uso y Mantenimiento de la Herramienta con Baterías

- a) **Recargue solamente con el cargador especificado por el fabricante.** Un cargador adecuado para un tipo de paquete de baterías puede originar riesgo de incendio si se utiliza con otro paquete de baterías.
- b) **Utilice herramientas eléctricas sólo con paquetes de baterías específicamente diseñados.** El uso de cualquier otro paquete de baterías puede producir riesgo de incendio y lesiones.
- c) **Cuando no utilice el paquete de baterías, manténgalo lejos de otros objetos metálicos como sujetapapeles, monedas, llaves, clavos, tornillos u otros objetos metálicos pequeños que puedan realizar una conexión desde un terminal al otro.** Los cortocircuitos en los terminales de la batería pueden provocar quemaduras o incendio.
- d) **En condiciones abusivas, el líquido puede ser expulsado de la batería. Evite su contacto. Si entra en contacto accidentalmente, enjuague con agua. Si el líquido entra en contacto con los ojos, busque atención médica.** El líquido expulsado de la batería puede provocar irritación o quemaduras.

- e) **No use un paquete de batería o herramienta que estén dañados o modificados.** Las baterías dañadas o modificadas pueden presentar un comportamiento impredecible que resulte en incendios, explosión o riesgo de lesiones.”
- f) **No exponga un paquete de batería o una herramienta a fuego o temperatura excesiva.** La exposición a fuego o temperaturas mayores a 129 °C (265 °F) pueden causar una explosión.”
- g) **Siga todas las instrucciones de carga y no cargue el paquete de batería o la herramienta fuera del rango de temperatura especificado en las instrucciones.** Cargar inadecuadamente o en una temperatura fuera del rango de temperatura especificado puede dañar la batería e incrementar el riesgo de incendio.
- f) **Cuando corte al hilo, utilice siempre un tope-guía para cortar al hilo o una guía de borde recto.** Esto mejora la precisión del corte y reduce las probabilidades de que la hoja se atasque.
- g) **Utilice siempre hojas que tengan el tamaño correcto y la forma correcta (de diamante frente a redonda) de agujeros para el eje portaherramienta.** Las hojas que no coincidan con los herrajes de montaje de la sierra funcionarán excéntricamente, causando pérdida de control.
- h) **No use nunca arandelas de hoja o un perno de hoja que estén dañados o sean incorrectos. Las arandelas y el perno de la hoja se diseñaron especialmente para su sierra, con el fin de lograr un rendimiento óptimo y una seguridad óptima de funcionamiento.**

## 6) Mantenimiento

- a) **Solicite a una persona calificada en reparaciones que realice el mantenimiento de su herramienta eléctrica y que sólo utilice piezas de repuesto idénticas.** Esto garantizará la seguridad de la herramienta eléctrica.
- b) **Nunca dé servicio a paquetes de batería dañados.** El servicio de paquetes de batería sólo debe ser realizado por el fabricante o proveedores de servicio autorizados.

## Instrucciones de Seguridad para Todas las Sierras

### Procedimientos de Corte

- a) **▲ PELIGRO: Mantenga las manos alejadas del área de corte y de la hoja. Mantenga la segunda mano en el mango auxiliar o en la carcasa del motor.** Si las dos manos están sujetando la sierra, no pueden ser cortadas por la hoja.
- b) **No ponga las manos debajo de la pieza de trabajo.** El protector no puede protegerle de la hoja debajo de la pieza de trabajo.
- c) **Ajuste la profundidad de corte al grosor de la pieza de trabajo.** Menos de un diente completo de los dientes de la hoja debe ser visible debajo de la pieza de trabajo.
- d) **No sujete nunca la pieza que esté cortando en las manos o atravesada sobre una pierna. Sujete firmemente la pieza de trabajo a una plataforma estable.** Es importante soportar apropiadamente la pieza de trabajo para minimizar la exposición del cuerpo, el atasco de la hoja o la pérdida de control.
- e) **Sujete la herramienta mecánica por las superficies de agarre con aislamiento cuando realice una operación en la que la herramienta de corte podría entrar en contacto con cables ocultos o con su propio cable de alimentación.** El contacto con un cable “con corriente” hará que las partes metálicas de la herramienta mecánica que estén al descubierto también “lleven corriente”, lo cual causará descargas al operador.

## Instrucciones de seguridad adicionales para todas las sierras

### Causas y prevención del operador de retroceso:

- El retroceso es una reacción repentina a una hoja de sierra atrapada, adherida o desalineada, que hace que una sierra no controlada se levante y salga de la pieza de trabajo hacia el operador;
- Cuando la cuchilla se atrapa o adhiere fuertemente por la ranura que se cierra, la cuchilla se detiene y la reacción del motor impulsa la unidad rápidamente hacia el operador;
- Si la cuchilla se tuerce o se desalinea en el corte, los dientes en el borde posterior de la cuchilla pueden cavar en la superficie superior de la madera haciendo que la cuchilla salga de la ranura y salte hacia el operador.

El retroceso es el resultado de un mal uso de la sierra y/o procedimientos o condiciones de operación incorrectos y se puede evitar tomando las precauciones adecuadas que se detallan a continuación:

- a) **Mantenga un agarre firme con ambas manos en la sierra y coloque los brazos para resistir las fuerzas de retroceso. Coloque su cuerpo a ambos lados de la cuchilla, pero no en línea con la cuchilla.** El retroceso puede hacer que la sierra salte hacia atrás, pero el operador puede controlar las fuerzas de retroceso si se toman las precauciones adecuadas.
- b) **Cuando la cuchilla está atascada, o cuando se interrumpe un corte por cualquier motivo, suelte el gatillo y mantenga la sierra inmóvil en el material hasta que la cuchilla se detenga por completo. Nunca intente retirar la sierra del trabajo ni tirar de la sierra hacia atrás mientras la hoja está en movimiento o puede producirse un retroceso.** Investigue y tome acciones correctivas para eliminar la causa del atascamiento de la cuchilla.
- c) **Cuando vuelva a arrancar una sierra en la pieza de trabajo, centre la cuchilla de la sierra en la ranura y revise que los dientes de la sierra no queden atrapados en el material.** Si una cuchilla de




sierra se atasca, puede subir o retroceder desde la pieza de trabajo cuando se vuelve a arrancar la sierra.


- d) **Soporte paneles grandes para minimizar el riesgo de pellizcos y retrocesos de la cuchilla.** Los paneles grandes tienden a combarse por su propio peso. Los soportes deben colocarse debajo del panel en ambos lados, cerca de la línea de corte y cerca del borde del panel.
- e) **No utilice cuchillas desafiladas o dañadas.** Las cuchillas sin afilar o mal ajustadas producen una ranura estrecha que causa fricción excesiva, atascamiento de la cuchilla y retrocesos.
- f) **Las palancas de bloqueo de ajuste de la profundidad de la cuchilla y el bisel deben estar apretadas y seguras antes de hacer el corte.** Si el ajuste de la cuchilla cambia durante el corte, puede causar atascamiento y retrocesos.
- g) **Tenga mucho cuidado al hacer un "corte de caída" en paredes existentes u otras áreas ciegas.** La cuchilla sobresaliente puede cortar objetos que pueden causar retrocesos.

### Instrucciones de seguridad de función de protección inferior








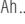
- a) **Verifique que la protección inferior esté bien cerrada antes de cada uso. No opere la sierra si la protección inferior no se mueve libremente y se cierra instantáneamente. Nunca sujete ni ate la protección inferior en la posición abierta.** Si la sierra se cae accidentalmente, la protección inferior puede doblarse. Levante la protección inferior con la manija de retracción y asegúrese que se mueva libremente y no toque la cuchilla ni ninguna otra parte, en todos los ángulos y profundidades de corte.
- b) **Compruebe la operación del resorte de la protección inferior. Si la protección y el resorte no funcionan correctamente, se deben reparar antes de su uso.** La protección inferior puede funcionar lentamente debido a piezas dañadas, depósitos gomosos o acumulación de escombros.
- c) **La protección inferior se debe retraer manualmente sólo para cortes especiales como "cortes de caída" y "cortes compuestos". Levante la protección inferior retrayendo la manija y tan pronto como la cuchilla ingrese al material, se debe liberar la protección inferior.** Para todas las demás sierras, la protección inferior debe funcionar automáticamente.
- d) **Observe siempre que la protección inferior esté cubriendo la cuchilla antes de colocar la sierra en el banco o el piso.** Una cuchilla desprotegida desacelerando por inercia hará que la sierra se mueva hacia atrás, cortando todo lo que se encuentre en su camino. Tenga en cuenta el tiempo que tarda la cuchilla en detenerse después de soltar el interruptor.

### Información de Seguridad Adicional

-  **ADVERTENCIA:** Nunca modifique la herramienta eléctrica o ninguna parte de ella. Podría resultar en daño o lesiones personales.
-  **ADVERTENCIA: SIEMPRE** use gafas de seguridad. Las gafas de uso diario NO son gafas de seguridad. También use una careta o máscara de polvo si la operación de corte produce polvo. SIEMPRE USE EQUIPO DE SEGURIDAD CERTIFICADO:
  - Protección para los ojos ANSI Z87.1 (CAN/CSA Z94.3),
  - Protección auditiva ANSI S12.6 (S3.19),
  - Protección respiratoria NIOSH/OSHA/MSHA.
-  **ADVERTENCIA:** Algún polvo creado por lijado, aserrado, pulido, perforación eléctricos y otras actividades de construcción contienen químicos conocidos por el Estado de California como causantes de cáncer, defectos de nacimiento u otros daños reproductivos. Algunos ejemplos de estos químicos son:
  - plomo a partir de pinturas a base de plomo,
  - sílice cristalino de ladrillos y cemento y otros productos de mampostería, y
  - arsénico y cromo a partir de madera tratada químicamente.

Su riesgo de exposición a estos químicos varía, dependiendo de la frecuencia con la cual realiza usted este tipo de trabajo. Para reducir su exposición a estas sustancias químicas: trabaje en una zona bien ventilada y llevando equipos de seguridad aprobados, como mascarillas antipolvo especialmente diseñadas para filtrar partículas microscópicas.
- **Use ropa de protección y lave las áreas expuestas con agua y jabón.** Permitir que el polvo entre en su boca, ojos, o que quede sobre la piel puede promover la absorción de químicos peligrosos. Dirija las partículas lejos de la cara y el cuerpo.
- **Use la aspiradora de extracción de polvo adecuada para retirar la mayoría de polvo estático y transportado por aire.** La falla en retirar el polvo estático y transportado por aire podría contaminar el ambiente de trabajo y presentar un riesgo de salud mayor al operador y personas en las cercanías.
- **Use abrazaderas u otras maneras prácticas para asegurar y soportar la pieza de trabajo a una plataforma estable.** Sostener el trabajo a mano o contra su cuerpo es inestable y puede guiar a la pérdida de control y lesiones.
- **Las ventilas de aire a menudo cubren las partes móviles y se deben evitar.** La ropa suelta, joyería, o cabello largo podrían quedar atrapados en las partes móviles.
-  **ATENCIÓN:** Cuando no esté en uso, coloque la herramienta en su lado sobre una superficie estable donde no cause un peligro de tropiezo o caída. Algunas herramientas con paquetes de batería grandes pueden quedar verticales sobre el paquete de batería pero se pueden voltear fácilmente.

La etiqueta en su herramienta puede incluir los siguientes símbolos. Los símbolos y sus definiciones son los siguientes:


BPM.....golpes por minuto		..... use protección respiratoria
V..... voltios		..... use protección para los ojos
min..... minutos		..... Construcción Clase II (aislamiento doble)
=== o DC..... corriente directa		..... use protección auditiva
.../min..... por minuto		..... lea toda la documentación
RPM..... revoluciones por minuto		..... evite mirar fijamente la luz
A..... ampéres		..... corriente alterna
Hz..... hertz		..... símbolo de alerta de seguridad
W..... watts		
Wh..... Watt Horas		
n <sub>0</sub> ..... velocidad sin carga		
n..... velocidad nominal		
⚠..... símbolo de alerta de seguridad		
	Ah..... amperios hora	

## BATERÍAS Y CARGADORES

El paquete de batería no está completamente cargado cuando se retira del cartón. Antes de usar la batería y el cargador, lea las siguientes instrucciones de seguridad y luego siga los procedimientos de carga descritos. Cuando solicite paquetes de baterías de repuesto, asegúrese de incluir el número de catálogo y el voltaje.

### LEA TODAS LAS INSTRUCCIONES

## Instrucciones de Seguridad Importantes para Todos los Paquetes de Batería

 **ADVERTENCIA:** Lea todas las advertencias de seguridad, instrucciones y marcas de precaución para el paquete de la batería, el cargador y el producto. La falla en seguir las advertencias e instrucciones puede resultar en descarga eléctrica, incendio y/o lesiones serias.

- **No cargue o use el paquete de batería en atmósferas explosivas, como en la presencia de líquidos, gases o polvo inflamables.** Insertar o retirar el paquete de batería del cargador puede encender el polvo y los vapores.
- **NUNCA fuerce el paquete de batería dentro del cargador. NO modifique el paquete de batería en ninguna forma para instalarlo en un cargador no compatible ya que el paquete de batería se puede romper causando lesiones personales serias.** Consulte la tabla al final de este manual respecto a compatibilidad de las baterías y cargadores.
- **Cargue los paquetes de batería sólo en cargadores DEWALT.**
- **NO salpique ni sumerja en agua u otros líquidos.**
- **NO permita que agua o ningún otro líquido entre al paquete de batería.**
- **No almacene ni use la herramienta y el paquete de baterías en lugares donde la temperatura pueda alcanzar o exceder los 40 °C (104 °F) (como cobertizos exteriores o edificios de metal en verano).** Para obtener

la mejor vida útil, guarde los paquetes de baterías en un lugar fresco y seco.

**NOTE:** No guarde los paquetes de baterías en una herramienta con el interruptor de gatillo bloqueado. Nunca sujete con cinta el interruptor de gatillo en la posición ON.

- **No incinere el paquete de batería incluso si está dañado severamente o está completamente agotada.** El paquete de batería pueden explotar en el fuego. Se crean humos y materiales tóxicos cuando se queman los paquetes de baterías de ion de litio.
- **Si el contenido de la batería entra en contacto con la piel, lave de inmediato el área con jabón suave y agua.** Si el líquido de la batería entra en los ojos, enjuague con agua sobre el ojo abierto durante 15 minutos o hasta que desaparezca la irritación. Si se necesita atención médica, el electrolito de la batería está compuesto por una mezcla de carbonatos orgánicos líquidos y sales de litio.
- **El contenido de las celdas de batería abiertas puede causar irritación respiratoria.** Proporcione aire fresco. Si los síntomas persisten, busque atención médica.
- **El líquido de la batería puede ser inflamable si se expone a chispas o llamas.**
- **Nunca intente abrir el paquete de baterías por ninguna razón. Si la caja del paquete de baterías está agrietada o dañada, no la inserte en el cargador.** No aplaste, deje caer o dañe el paquete de la batería. No use un paquete de baterías o cargador que haya recibido un golpe fuerte, se haya dejado caer, se haya aplastado o dañado de cualquier manera (por ej., perforado con un clavo, golpeado con un martillo, o pisado). Los paquetes de batería dañados se deben regresar al centro de servicio para reciclaje.

## Recomendaciones de Almacenamiento

El mejor lugar de almacenamiento es aquel que es fresco y seco, alejado de la luz solar directa y del exceso de calor o frío. Guarde el paquete de batería completamente cargado fuera del cargador.

## Instrucciones de Limpieza de Paquete de Batería

La suciedad y grasa se pueden retirar del exterior de la paquete de batería con una tela o cepillo no metálico suave. No use agua o ninguna solución de limpieza.

## Paquetes de Baterías de Indicador de Combustible (Fig. B)

Algunos paquetes de batería incluyen un indicador de combustible. Cuando se presiona y sostiene el botón de indicador de combustible, las luces LED indicarán el nivel de carga aproximado restante. Éste no indica la funcionalidad de la herramienta y está sujeto a variación en base a los componentes del producto, la temperatura y la aplicación del usuario final.

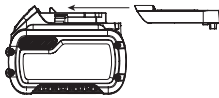
## Transporte



**ADVERTENCIA: Riesgo de Incendio.** No guarde, transporte, o lleve el paquete de batería de forma que objetos de metal puedan tener contacto con las terminales expuestas de la batería. Por ejemplo, no coloque la batería en delantales, bolsillos, cajas de herramientas, cajas de juego de productos, cajones, etc., con clavos sueltos, tornillos, llaves, monedas, herramientas manuales, etc. Al transportar paquetes de baterías individuales, asegúrese que las terminales de la batería estén protegidas y bien aisladas de materiales que puedan entrar en contacto con ellas y causar un cortocircuito. **NOTA:** Los paquetes de batería de ion de litio no se deben colocar en equipaje de mano en aviones y se deben proteger adecuadamente contra corto circuito si están en el equipaje registrado.

### Envío de Paquete de Batería DEWALT FLEXVOLT™

El paquete de batería DEWALT FLEXVOLT™ tiene una tapa de batería que se debe usar cuando se envíe el paquete de batería.



Conecte la tapa al paquete de batería para alistarlos para envío. Esto convierte el paquete de batería en tres baterías de 20 V separadas. Las tres baterías tienen la clasificación Watt horas en el paquete de batería etiquetado "Envío". Si se envía sin la tapa o en una herramienta, el paquete es una batería en la clasificación de Watts hora indicada al lado de "Uso".

Ejemplo de etiqueta de paquete de batería:

**USO: 120 Wh Envío: 3 x 40 Wh**

En este ejemplo, el paquete de batería es tres baterías con 40 Watts hora cada una cuando se usa la tapa. De otra manera, el paquete de batería es de 120 Watts hora.

## El Sello RBRC®

Lleve sus paquetes de batería agotados a un centro de servicio autorizado DEWALT o a su minorista local para reciclarlas. En algunas áreas, es ilegal colocar paquetes de batería gastados en la basura. También puede comunicarse con su centro de reciclaje local para obtener información sobre dónde dejar el paquete de batería agotado. No las coloque en el reciclaje de la acera. *Para información adicional* visite [www.call2recycle.org](http://www.call2recycle.org). O llame al número de larga distancia gratuito en el Sello RBRC®.

RBRC® es una marca comercial registrada de Call 2 Recycle, Inc.



## Instrucciones de Seguridad Importantes para Todos los Cargadores de Batería



**ADVERTENCIA: Lea todas las advertencias de seguridad, instrucciones y marcas de precaución para el paquete de la batería, el cargador y el producto. La falla en seguir las advertencias e instrucciones puede resultar en descarga eléctrica, incendio y/o lesiones serias.**

- **NO intente cargar el paquete de batería con cargadores diferentes al cargador DEWALT.** Los cargadores DEWALT y los paquetes de batería están diseñados específicamente para funcionar juntos.
- **Estos cargadores no están destinados para ningún otro uso que no sea cargar paquetes de baterías recargables DEWALT.** Cargar otros tipos de baterías puede causar que se sobrecalienten y exploten, resultando en lesiones personales, daño a la propiedad, incendio, descarga eléctrica o electrocución.
- **No exponga el cargador a la lluvia o la nieve.**
- **NO permita que agua o ningún otro líquido entre al cargador.**
- **Jale por el enchufe en lugar del cable cuando desconecte el cargador.** Esto reducirá el riesgo de daños al enchufe y cable eléctricos.
- **Asegúrese que el cable esté ubicado de forma que no se pueda pisar, provoque tropiezos, o de otra forma esté sujeto a daño o esfuerzo.**
- **No use un cable de extensión a menos que sea absolutamente necesario.** El uso de un cable de extensión inadecuado podría resultar en riesgo de incendio, descarga eléctrica o electrocución.
- **Cuando opere un cargador al aire libre, proporcione siempre un lugar seco y use un cable de extensión adecuado para uso en exteriores.** El uso de un cable adecuado para uso en exteriores reduce el riesgo de descarga eléctrica.
- **Un cable de extensión debe tener un tamaño de cable adecuado (AWG o American Wire Gauge) por seguridad.** Cuanto menor es el número de calibre del cable, el cable será más pesado y por lo tanto su capacidad. Un cable de tamaño inferior causará una caída en el voltaje en línea que resulta en una pérdida de energía y sobrecalentamiento. La siguiente tabla muestra el tamaño correcto a usar dependiendo de la longitud total de todos los cables de extensión juntos, y la clasificación de amperes de la placa de identificación. Si tiene duda, use el calibre más pesado siguiente.

Calibre mínimo para juegos de cable

Voltios	Longitud total de cable en pies (metros)			
	25 (7.6)	50 (15.2)	100 (30.5)	150 (45.7)
120V				
Clasificación de amperes	American Wire Gauge			
	Mayor a	No mayor a		
0	6	18	16	14
6	10	18	16	12
10	12	16	16	12
12	16	14	12	No recomendado

- **No coloque ningún objeto encima del cargador ni coloque el cargador sobre una superficie blanda que pueda bloquear las ranuras de ventilación y provocar un calor interno excesivo.** Coloque el cargador en una posición lejos de cualquier fuente de calor. El cargador se ventila a través de ranuras en la parte superior e inferior del alojamiento.

- **No opere el cargador con un cable o enchufe dañado.** Solicite que los replacen inmediatamente.
- **No opere el cargador si recibió un golpe fuerte, se dejó caer o se dañó de cualquier manera.** Llévelo a un centro de servicio autorizado.
- **No desensamble el cargador; llévelo a un centro de servicio autorizado cuando se requiera servicio o reparación.** El reensamble incorrecto puede resultar en un riesgo de descarga eléctrica, electrocución o incendio.
- **El cargador está diseñado para operar con corriente eléctrica doméstica estándar de 120V. No intente usarlo en ningún otro voltaje.** Esto no aplica al cargador de vehículos.
- **Los materiales extraños de naturaleza conductiva tales como, pero sin limitarse a, polvo de pulido, rebabas de metal, lana de acero, papel aluminio, o cualquier acumulación de partículas metálicas se deben mantener alejados de las cavidades y ranuras de ventilación del cargador.**
- **Siempre desconecte el cargador del suministro de energía cuando no haya paquete de baterías en la cavidad.**

## Carga de la Batería (Fig. C)

1. Conecte el cargador en un tomacorriente apropiado.
2. Inserte y asiente completamente el paquete de batería. La luz de carga roja parpadeará continuamente mientras carga.
3. La carga es completa cuando la luz roja permanece encendida continuamente. El paquete de batería se puede dejar en el cargador o retirarse. Algunos cargadores requieren que se presione el botón de liberación del paquete de batería para retirarlo.
4. El cargador no cargará un paquete de batería defectuoso, lo que puede indicarse por la luz que permanece apagada. Lleve el cargador y el paquete de batería a un centro de servicio autorizado si la luz permanece apagada.

**NOTA:** Consulte la etiqueta cerca de la luz de carga en el cargador respecto a los patrones de parpadeo. Los cargadores más viejos pueden tener información adicional y/o pueden no tener una luz indicadora amarilla.

## Demora de Paquete Caliente/Frío

Cuando el cargador detecta un paquete de batería que esté demasiado caliente o demasiado fría, comienza automáticamente una Demora de Paquete Caliente/Frío, suspendiendo la carga hasta que el paquete de batería alcance una temperatura apropiada. El cargador cambia automáticamente al modo de carga del paquete. Esta característica garantiza la vida máxima del paquete de batería.

Un paquete de batería frío puede cargar a un ritmo más lento que un paquete de batería caliente.

La demora de paquete caliente/frío se indicará por la luz roja que continúa parpadeando pero con la luz amarilla encendida continuamente. Una vez que la batería haya alcanzado la temperatura adecuada, la luz amarilla se apagará y el cargador reanudará el proceso de carga.

## Cargadores DCB118 y DCB1112

Los cargadores DCB118 y DCB1112 están equipados con un ventilador interno diseñado para enfriar el paquete de batería. El ventilador se encenderá automáticamente cuando el paquete de batería se necesite enfriar.

## Sistema de Protección Electrónica

Las herramientas de ion de litio están diseñadas con un Sistema de Protección Electrónica que protegerá el paquete de batería contra sobrecarga, sobrecalentamiento o descarga profunda. La herramienta se apagará automáticamente y el paquete de batería se necesitará volver a cargar.

## Notas Importantes de Carga

1. El cargador y el paquete de baterías pueden calentarse al tacto durante la carga. Esta es una condición normal y no indica un problema. Para facilitar el enfriamiento de la batería después de su uso, evite colocar el cargador o la batería en un ambiente cálido, como en un cobertizo de metal o un remolque sin aislamiento.
2. Si la batería no se carga correctamente:
  - a. Verifique la operación del receptáculo conectando una lámpara u otro aparato;
  - b. Revise si el receptáculo está conectado a un interruptor de luz que apegue la energía cuando apague las luces;
  - c. Si persisten los problemas de carga, lleve la herramienta, el paquete de batería y el cargador a su centro de servicio local.
3. Puede cargar un paquete parcialmente usado cuando lo desee sin ningún efecto adverso en el paquete de baterías.

## Instrucciones de Limpieza de Cargador



**ADVERTENCIA:** Riesgo de descarga eléctrica.

Desconecte el cargador del tomacorriente CA antes de limpiar. La suciedad y grasa se pueden retirar del exterior del cargador con una tela o cepillo no metálico suave. No use agua o ninguna solución de limpieza.

## Montaje en Pared

Algunos cargadores DEWALT están diseñados para poderse montar en pared o colocarse vertical sobre una mesa o superficie de trabajo. Si se monta en pared, localice el cargador dentro del alcance de un tomacorriente eléctrico, y lejos de una esquina u otras obstrucciones que puedan impedir el flujo de aire. Use la parte posterior del cargador como una plantilla para la ubicación de los tornillos de montaje en la pared. Instale el cargador firmemente con tornillos para Tablaroca (adquiridos por separado) por lo menos de 25,4 mm (1") de largo, con un diámetro de cabeza de tornillo de 7–9 mm (0.28–0.35"), atornillados en madera a una profundidad óptima dejando aproximadamente 5,5 mm (7/32") de tornillo expuesto. Alinee las ranuras en la parte posterior del cargador con los tornillos expuestos y confíetelos completamente dentro de las ranuras.

**GUARDE ESTAS INSTRUCCIONES PARA VOLVER A CONSULTAR EN EL FUTURO**

## MONTAJE Y AJUSTES



**ADVERTENCIA:** Para reducir el riesgo de lesiones personales, apague la unidad y retire el paquete de batería antes de realizar cualquier ajuste o retirar/installar conexiones o accesorios.

Una activación de arranque accidental puede causar lesiones.

### Inserción y Extracción del Paquete de Batería de la Herramienta (Fig. D)

**NOTA:** Asegúrese que su paquete de baterías **3** esté completamente cargado.

#### Para Instalar el Paquete de la Batería en la Manija de la Herramienta

1. Alinee el paquete de batería **3** con los rieles dentro de la manija de la herramienta (Fig. D).
2. Deslícelo dentro de la manija hasta que la batería quede firmemente asentada en la herramienta y asegúrese de escuchar que el seguro encaje en su lugar.

#### Para Retirar el Paquete de Batería de la Herramienta

1. Presione el botón de liberación **13** y jale firmemente el paquete de batería fuera de la manija de la herramienta.
2. Inserte el paquete de batería en el cargador como se describe en la sección de cargador de este manual.

## Cambio de cuchillas

### Para Instalar la Cuchilla (Fig. A, F, G)

1. Retire la batería.
2. Con la palanca de la protección inferior **6**, retraiga la protección de cuchilla inferior **7** y coloque la cuchilla sobre el husillo de la sierra contra la arandela de la abrazadera interior **17**, asegurándose que la cuchilla gire en la dirección adecuada (la dirección de la flecha de rotación en la cuchilla de la sierra y los dientes deben apuntar en la misma dirección que la flecha de rotación en la sierra). No asuma que la impresión en la hoja siempre verá hacia usted cuando esté instalada correctamente. Al retraer la protección de la cuchilla inferior para instalar la cuchilla, verifique el estado y la operación de la protección de la cuchilla inferior para asegurarse que funciona correctamente. Asegúrese que se mueva libremente y no toque la cuchilla ni ninguna otra parte, en todos los ángulos y profundidades de corte.
3. Coloque la arandela de la abrazadera exterior **16** sobre el husillo de la sierra con el borde biselado viendo hacia afuera. Asegúrese que el diámetro de 30 mm en el lado de la cuchilla de la abrazadera se ajuste en el orificio de 30 mm en la cuchilla de la sierra para asegurar el centrado de la cuchilla.
4. Enrosque el tornillo de sujeción de la cuchilla **8** en el husillo de la sierra con la mano (el tornillo tiene roscas a la derecha y debe girarse en sentido de las manecillas del reloj para apretarlo).

5. Presione el bloqueo de la cuchilla **11** mientras gira el husillo de la sierra con la llave de cuchilla **32** almacenada debajo del compartimento de la batería, hasta que el seguro de la cuchilla se conecte y la cuchilla deje de girar.
6. Apriete el tornillo de sujeción de la cuchilla firmemente con la llave de la cuchilla.

**AVISO:** Nunca conecte el seguro de la cuchilla mientras la sierra está en funcionamiento, ni intente detener la herramienta. Nunca encienda la sierra mientras el seguro de la cuchilla está conectado. Se producirá un daño grave a su sierra.

### Para reemplazar la Cuchilla (Fig. A, F, G)

1. Retire la batería.
2. Para aflojar el tornillo de sujeción de la cuchilla **8**, presione el seguro de la cuchilla **11** y gire el husillo de la sierra con la llave de sierra **32**, almacenada debajo del compartimento de la batería, hasta que el seguro de la cuchilla se conecte y la cuchilla deje de girar. Con el seguro de la cuchilla conectado, gire el tornillo de sujeción de la cuchilla en sentido contrario a las manecillas del reloj con la llave de la cuchilla (el tornillo tiene roscas a la derecha y debe girarse en sentido contrario a las manecillas del reloj para aflojarlo).
3. Retire el tornillo de sujeción de la cuchilla **8** y la arandela de sujeción exterior **16**. Retire la cuchilla anterior.
4. Limpie el aserrín que pueda haberse acumulado en el área de la protección o de la arandela de la abrazadera y verifique la condición y la operación de la protección de cuchilla inferior como se describió anteriormente. No lubrique esta área.
5. Seleccione la cuchilla adecuada para la aplicación (consulte **Cuchillas**). Utilice siempre cuchillas del tamaño correcto (diámetro) con el tamaño adecuado y la forma del orificio central para el montaje en el husillo de la sierra. Siempre asegúrese que la velocidad máxima recomendada (rpm) en la cuchilla de la sierra cumpla o exceda la velocidad (rpm) de la sierra.
6. Siga los pasos del 1 al 5 en **Para instalar la cuchilla**, asegurándose que la cuchilla gire en la dirección correcta.

### Protección de Cuchilla Inferior



**ADVERTENCIA:** La protección de cuchilla inferior es una característica de seguridad que reduce el riesgo de lesiones personales graves. Nunca use la sierra si falta la protección inferior, está dañada, mal ensamblada o no funciona correctamente. No confíe en la protección de cuchilla inferior para protegerlo en todas las circunstancias. Su seguridad depende de seguir todas las advertencias y precauciones, así como de la correcta operación de la sierra. Verifique que la protección de la cuchilla inferior esté bien cerrada antes de cada uso. Si falta la protección de cuchilla inferior o no funciona correctamente, pida que den servicio a la sierra antes de usarla. Para garantizar la seguridad y confiabilidad del producto, la reparación, el



**mantenimiento y el ajuste deben ser realizados por un centro de servicio autorizado u otra organización de servicio calificada, utilizando siempre partes de repuesto idénticas.**

### Revisión de la Protección Inferior (Fig. A)

1. Apague la herramienta y desconéctela del suministro de energía.
2. Gire la palanca de retracción de la protección inferior **6** desde la posición completamente cerrada a la posición completamente abierta.
3. Libere la palanca y observe que la protección **7** regrese a la posición completamente cerrada.

Un centro de servicio calificado debe dar servicio a la herramienta si:

- falla en regresar a la posición completamente cerrada,
- se mueve intermitente o lentamente, o
- hace contacto con la cuchilla o cualquier parte de la herramienta en todos los ángulos y profundidad de corte.

### Cuchillas



**ADVERTENCIA:** Para minimizar el riesgo de lesiones oculares, use siempre protección para los ojos. El carburo es un material duro pero quebradizo. Los objetos extraños en la pieza de trabajo, como alambre o clavos, pueden hacer que las puntas se agrieten o rompan. Sólo opere la sierra cuando la protección adecuada de la cuchilla de sierra esté en su lugar. Monte la cuchilla de forma segura en la rotación adecuada antes de usarla, y siempre use una cuchilla limpia y afilada.



**ADVERTENCIA:** No corte materiales de metal, plástico, concreto, mampostería o fibrocemento con esta sierra.

#### 184 mm (7-1/4") de diámetro

Aplicación	Dientes
Desgarre	24
Propósito general	36
Terminar	60

Si necesita asistencia respecto a las cuchillas, póngase en contacto con su distribuidor DEWALT local.

### Retroceso

El retroceso es una reacción repentina a una hoja de sierra atrapada, adherida o desalineada, que hace que una sierra no controlada se levante y salga de la pieza de trabajo hacia el operador. Cuando la cuchilla se atrapa o adhiere fuertemente por la ranura que se cierra, la cuchilla se detiene y la reacción del motor impulsa la unidad rápidamente hacia el operador. Si la cuchilla se tuerce o se desalinea en el corte, los dientes en el borde posterior de la cuchilla pueden cavar en la superficie superior de la madera haciendo que la cuchilla salga de la ranura y salte hacia el operador.

Es más probable que se produzca un retroceso cuando existe alguna de las siguientes condiciones.

### 1. APOYO INCORRECTO DE LA PIEZA DE TRABAJO

- a. La holgura o el levantamiento incorrecto de la pieza cortada pueden atrapar la cuchilla y provocar un retroceso.
- b. Cortar a través del material soportado en los extremos exteriores sólo puede causar retroceso. A medida que el material se debilita, se hunde, cierra la ranura y pellizca la cuchilla (Fig. N).
- c. Cortar una pieza de material en voladizo o colgante de abajo hacia arriba en una dirección vertical puede causar retroceso. La pieza cortada que cae puede atrapar la cuchilla.
- d. Cortar tiras largas y estrechas (como en desgarre) puede causar retroceso. La tira de corte puede doblarse o torcerse cerrando la ranura y atrapando la cuchilla.
- e. Enganchar la protección inferior en una superficie debajo del material que se corta momentáneamente reduce el control del operador. La sierra se puede levantar parcialmente fuera del corte, lo que aumenta la posibilidad de que la hoja gire.

### 2. PROFUNDIDAD INCORRECTA DE AJUSTE DE CORTE EN LA SIERRA

- a. Para realizar el corte más eficiente, la cuchilla debe sobresalir sólo lo suficiente para exponer la mitad de un diente como se muestra en la Figura H. Esto permite que la zapata soporte la cuchilla y minimiza el giro y pellizco en el material. Consulte la sección titulada **Ajuste de profundidad de corte**.

### 3. TORSIÓN DE CUCHILLA (DESALINEACIÓN EN CORTE)

- a. Empujar con más fuerza para cortar un nudo, un clavo o un área de grano duro puede hacer que la cuchilla se tuerza.
- b. Intentar girar la sierra en el corte (intentar volver a la línea marcada) puede causar que la hoja se tuerza.
- c. Estirarse u operar la sierra con un control deficiente del cuerpo (fuera de balance), puede resultar en torcer la hoja.
- d. Cambiar el agarre de la mano o la posición del cuerpo durante el corte puede resultar en un giro de la cuchilla.
- e. Respaldar la sierra para despejar la cuchilla puede provocar torsiones.

### 4. MATERIALES QUE REQUIEREN ATENCIÓN ADICIONAL

- a. Madera húmeda
- b. Madera verde (material recién cortado o no secado al horno)
- c. Madera tratada a presión (material tratado con conservadores o productos químicos anti-pudrición)

### 5. USO DE CUCHILLAS ABIERTAS O SUCIAS

- a. Las cuchillas desafiladas causan una mayor carga de la sierra. Para compensar, un operador generalmente empujará más fuerte, lo que cargará aún más la unidad y promoverá la torsión de la cuchilla en la

ranura. Las cuchillas gastadas también pueden tener una holgura de cuerpo insuficiente, lo que aumenta la posibilidad de unión y una mayor carga.

#### 6. LEVANTAR LA SIERRA AL HACER UN CORTE DE BISEL

- a. Los cortes en bisel requieren una atención especial del operador a las técnicas de corte adecuadas, especialmente la guía de la sierra. Tanto el ángulo de la cuchilla con respecto a la zapata como la mayor superficie de la cuchilla en el material aumentan las posibilidades de que se produzca atascamiento y desalineación (giro).

#### 7. REINICIO DE UN CORTE CON LOS DIENTES DE LA HOJA ATASCADOS CONTRA EL MATERIAL

- a. La sierra debe alcanzar la velocidad máxima de operación antes de comenzar un corte o reiniciar un corte después de que la unidad se haya detenido con la cuchilla en la ranura. De lo contrario, puede causar estancamiento y retroceso.

Cualquier otra condición que pueda resultar en atrapamiento, atascamiento, torsión o desalineación de la cuchilla puede causar retroceso. Consulte las secciones *Instrucciones de seguridad adicionales para todas las sierras* y *Cuchillas* respecto a los procedimientos y técnicas que minimizarán la ocurrencia de retroceso.

### Ajuste de Profundidad De Corte (Fig. G, H)

La profundidad máxima de corte es 64 mm (2,5")

1. Levante la palanca de ajuste de profundidad **4** para aflojar.
2. Para obtener la profundidad de corte correcta, alinee la marca apropiada en la correa de ajuste de profundidad **20** con la muesca **19** en la protección de cuchilla superior.
3. Apriete la palanca de ajuste de profundidad.
4. Para la acción de corte más eficiente con una cuchilla de sierra de punta de carburo, ajuste la profundidad de forma que aproximadamente la mitad de un diente sobresalga debajo de la superficie de la madera a cortar.
5. Un método para verificar la profundidad de corte correcta se muestra en la Figura H. Coloque una pieza del material que planea cortar a lo largo del costado de la cuchilla, como se muestra en la figura, y observe cuánto sobresale el diente más allá del material.

### Ajuste de Palanca de Ajuste de Profundidad (Fig. G)

Puede ser aconsejable ajustar la palanca de ajuste de profundidad **4**. Se puede aflojar con el tiempo y golpear la zapata antes de apretar.

#### Para Apretar la Palanca:

1. Sostenga la palanca de ajuste de profundidad **4** y afloje la contratuerca **18**.
2. Ajuste la palanca de ajuste de profundidad girándola en la dirección deseada aproximadamente 1/8 de revolución.
3. Vuelva a apretar la tuerca.

### Ajuste de Ángulo de Bisel (Fig. A, I)

El mecanismo de ajuste de ángulo de bisel se puede ajustar entre 0° y 57°.

Para lograr una mejor precisión en el corte, use las marcas de ajuste fino ubicadas en el soporte del pivote **21**.

1. Levante la palanca de ajuste de bisel **10** para aflojar.
2. Incline la zapata al ángulo deseado alineando el puntero de bisel fino **22** con la marca de ángulo deseada en el soporte del pivote **21**.
3. Baje la palanca de ajuste de bisel para volver a apretarla.

### Tope de Bisel (Fig. A, I)

La DCS570 está equipada con una función de tope de bisel. Conforme incline la zapata **5** escuchará un clic y sentirá que la zapata se detiene en 22,5 y 45 grados. Si cualquiera de estos es el ángulo deseado, vuelva a apretar la palanca **10** bajándola. Si desea otro ángulo, continúe inclinando la zapata hasta al puntero de bisel grueso **23** o el puntero fino **22** se alinee con la marca deseada.

### Indicador de Longitud de Corte (Fig. A)

Las marcas en el costado de la zapata **5** muestran la longitud de la ranura que se está cortando en el material en la profundidad total del corte. Las marcas están en incrementos de 5 mm.

### Indicador de Corte (Fig. K)

La parte delantera de la zapata de la sierra tiene un indicador de corte **9** para el corte vertical y en bisel. Este indicador le permite guiar la sierra a lo largo de las líneas de corte dibujadas sobre el material que se va a cortar. El indicador de corte se alinea con el lado izquierdo (exterior) de la cuchilla de sierra, lo que hace que el corte de la ranura o "corte" por el movimiento de la cuchilla caiga a la derecha del indicador. Guíe a lo largo de la línea de corte dibujada para que el corte caiga en el material de desecho o sobrante.

### Montaje y Ajuste de Cerca Paralela (Fig. P)

La cerca paralela **28** se usa para corte paralelo al borde de la pieza de trabajo.

#### Montaje

1. Afloje la perilla de ajuste de la cerca paralela **27** para permitir que pase la cerca paralela.
2. Inserte la cerca paralela **28** en la zapata como se muestra.
3. Apriete la perilla de ajuste de la cerca paralela **27**.

#### Ajuste

1. Afloje la perilla de ajuste de la cerca **27** y ajuste la cerca paralela **28** al ancho deseado. El ajuste se puede leer en la escala de la cerca paralela.
2. Apriete la perilla de ajuste de la cerca **27**.

### Montaje de Puerto de Extracción de Polvo (Fig. A, R)

Su sierra circular está provista con un puerto de extracción de polvo.


## Para Instalar el Puerto de Extracción de Polvo

1. Afloje completamente la palanca de ajuste de profundidad **4**.
2. Coloque la zapata **5** en la posición más baja.
3. Alinee la mitad izquierda del puerto de extracción de polvo **29** sobre la protección de la cuchilla superior **31** como se muestra. Asegúrese de insertar la lengüeta dentro de la ranura de fundición sobre la herramienta. Cuando se instale correctamente, se conectará completamente sobre la profundidad original de puntero de corte.
4. Alinee la pieza del lado derecho **30** con la izquierda.
5. Inserte los tornillos y apriete firmemente.

## Antes de la Operación

- Asegúrese que las protecciones estén montadas correctamente. La protección de la cuchilla de la sierra debe estar en posición cerrada.
- Asegúrese que la cuchilla de la sierra gire en la dirección de la flecha en la cuchilla.
- No utilice cuchillas de sierra excesivamente desgastadas.


## OPERACIÓN


-  **ADVERTENCIA: Para reducir el riesgo de lesiones personales, apague la unidad y retire el paquete de batería antes de realizar cualquier ajuste o retirar/instalar conexiones o accesorios.**

*Una activación de arranque accidental puede causar lesiones.*

-  **ADVERTENCIA: Siempre observe las instrucciones de seguridad y las regulaciones aplicables.**

## Colocación Adecuada de las Manos (Fig. L)

-  **ADVERTENCIA: Para reducir el riesgo de lesiones personales serias, SIEMPRE use la posición de las manos adecuada como se muestra.**

-  **ADVERTENCIA: Para reducir el riesgo de lesiones personales serias, SIEMPRE sostenga firmemente en anticipación de una reacción repentina.**

La posición de manos adecuada requiere una mano en la manija principal **26** y la otra mano sobre la manija auxiliar **12**.

## Luz de Trabajo LED (Fig. A)

La luz de trabajo LED **15** se activa cuando se presiona el interruptor de gatillo. Cuando se libere el gatillo, la luz de trabajo permanecerá iluminada por hasta 20 segundos.

**NOTA:** La luz de trabajo es para iluminar la superficie de trabajo inmediata y no se pretende que se use como una linterna.

## Encendido y Apagado (Fig. E)


Por razones de seguridad, el interruptor de gatillo **2** de su herramienta está equipado con un botón de bloqueo en apagado **1**.

Presione el botón de bloqueo en apagado para desbloquear la herramienta.

Para operar la herramienta, presione el interruptor de gatillo **2**. Tan pronto como se libere el interruptor de gatillo, el interruptor de bloqueo en apagado se activa automáticamente para prevenir el arranque inadvertido de la máquina.

**AVISO:** No encienda o apague la herramienta cuando la cuchilla de la sierra toque la pieza de trabajo u otros materiales.

## Soporte de Pieza de Trabajo (Fig. L–O)


-  **ADVERTENCIA: Para deducir el riesgo de lesiones personales serias, soporte el trabajo adecuadamente y use la sierra firmemente para evitar la pérdida de control.**

Las figuras L y M muestran la posición correcta de aserrado. Las figuras N y O muestran una condición insegura. Las manos se deben mantener lejos del área de corte.

Para evitar el retroceso, SIEMPRE soporte la tabla o tablero CERCA del corte, (Fig. L y M). NO soporte la tabla o tablero lejos del corte (Fig. N y O). Cuando opere la sierra, mantenga el cable alejado del área de corte y evite que cuelgue sobre la pieza de trabajo.

¡SIEMPRE DESCONECTE LA SIERRA ANTES DE REALIZAR CUALQUIER AJUSTE! Coloque el trabajo con su lado "bueno", en el que la apariencia es más importante, hacia abajo. La sierra corta hacia arriba, por lo que cualquier astilla estará en la cara de trabajo que está hacia arriba cuando la corte.

## Corte (Fig. L, M, O)

-  **ADVERTENCIA: Nunca intente usar esta herramienta apoyándola al revés sobre una superficie de trabajo y acercando el material a la herramienta. Siempre asegure firmemente la pieza de trabajo y lleve la herramienta a la pieza de trabajo, sosteniendo firmemente la herramienta con las dos manos como se muestra en la Figura L.**

Coloque la porción más ancha de la zapata de la sierra en tal parte de la pieza de trabajo que está soportada sólidamente, no en la sección que caerá cuando se realice el corte. Como ejemplos, la Figura M ilustra la forma CORRECTA para cortar el extremo de una tabla. Siempre sujete el trabajo. ¡No intente sujetar piezas cortas con la mano! Recuerde apoyar material voladizo y colgante. Tenga cuidado al cortar material desde abajo.

Asegúrese que la sierra alcance la velocidad máxima antes de que la hoja entre en contacto con el material a cortar. Arrancar la sierra con la hoja contra el material que se va a cortar o empujar hacia adentro de la ranura puede provocar un retroceso. Empuje la sierra hacia adelante a una velocidad que permita que la cuchilla corte sin esfuerzo. La dureza y rigidez pueden variar incluso en la misma pieza de material, y las secciones nudosas o húmedas pueden ejercer una gran carga sobre la sierra. Cuando esto sucede, empuje la sierra más lentamente, pero lo suficientemente fuerte como para seguir trabajando sin mucha disminución de la velocidad. Forzar la sierra puede causar cortes bruscos,

imprecisos, retroceso y sobrecalentamiento del motor. Si su corte comienza a salirse de la línea, no intente forzarlo nuevamente. Suelte el interruptor y permita que la cuchilla se detenga por completo. Entonces puede retirar la sierra, ver de nuevo y comenzar un nuevo corte ligeramente dentro del incorrecto. En cualquier evento, retire la sierra si debe cambiar el corte. Forzar una corrección dentro del corte puede detener la sierra y provocar un retroceso.

SI LA SIERRA SE DETIENE, LIBERE EL GATILLO Y RETROCEDA LA SIERRA HASTA QUE ESTÉ SUELTA. ASEGÚRESE QUE LA CUCHILLA ESTÁ RECTA EN EL CORTE Y LIBRE DEL BORDE DE CORTE ANTES DE REINICIAR.

Cuando termine un corte, suelte el gatillo y permita que la cuchilla se detenga antes de levantar la sierra del trabajo. A medida que levanta la sierra, la protección telescópica tensada por resorte se cerrará automáticamente debajo de la cuchilla. Recuerde que la cuchilla está expuesta hasta que esto ocurra. Nunca meta las manos debajo del trabajo por ningún motivo. Cuando tenga que retraer la protección telescópica manualmente (conforme sea necesario para comenzar los cortes de cavidad), use siempre la palanca retráctil.

**NOTA:** Al cortar tiras delgadas, tenga cuidado de asegurarse que las pequeñas piezas de corte no cuelguen en el interior de la protección inferior.

### Corte de Cavidad (Fig. Q)

**ADVERTENCIA:** Nunca ate la protección de cuchilla en una posición elevada. Nunca mueva la sierra hacia atrás cuando corte cavidades. Esto puede hacer que la unidad se levante de la superficie de trabajo, lo que podría causar lesiones.

Un corte de cavidad es uno que se hace en un piso, pared u otra superficie plana.

1. Ajuste la zapata de sierra de forma que la cuchilla corte en la profundidad deseada.
2. Incline la sierra hacia adelante y apoye la parte delantera de la zapata sobre el material a cortar.
3. Con la palanca de la protección inferior, retraiga la protección de cuchilla inferior hacia arriba. Baje la parte trasera de la zapata hasta que los dientes de la sierra casi toquen la línea de corte.
4. Suelte la protección de cuchilla (su contacto con el trabajo lo mantendrá en posición para abrirse libremente al comenzar el corte). Retire la mano de la palanca de la protección y sujete firmemente la manija auxiliar **12**, como se muestra en la Figura Q. Coloque su cuerpo y brazo para permitirle resistir el retroceso si ocurre.
5. Asegúrese que la cuchilla no esté en contacto con la superficie de corte antes de arrancar la sierra.
6. Arranque el motor y baje gradualmente la sierra hasta que su zapata quede plana sobre el material a cortar. Avance la sierra a lo largo de la línea de corte hasta que se complete el corte.
7. Suelte el gatillo y permita que la cuchilla se detenga por completo antes de retirar la cuchilla del material.
8. Al comenzar cada nuevo corte, repita los anterior.

### Extracción de Polvo (Fig. R–T)

**ADVERTENCIA:** Riesgo de inhalación de polvo. Para reducir el riesgo de lesiones personales, **SIEMPRE** utilice una máscara de polvo aprobada.

Un puerto de extracción de polvo **29** está provisto con su herramienta.

El puerto de extracción de polvo le permite conectar la herramienta a un extractor de polvo externo, ya sea a través del sistema AirLock™ (DWV9000-XJ), o un accesorio de extractor de polvo de 35 mm estándar.

**ADVERTENCIA:** **SIEMPRE** use un extractor de aspirado diseñado en cumplimiento con las directivas aplicables respecto a la emisión de polvo cuando corte madera. Las mangueras de aspirado de las aspiradoras más comunes se adaptarán directamente en la salida de extracción de polvo.

### Gancho para Colgar (Fig. A)

**ADVERTENCIA:** Para reducir el riesgo de lesiones personales serias, no use el gancho para colgar de la herramienta para colgar la herramienta de su cuerpo. **NO** use el gancho para colgar para anclar o asegurar la herramienta a una persona u objeto durante el uso. **NO** suspenda la herramienta por arriba de su cabeza u suspenda objetos del gancho para colgar.

**ADVERTENCIA:** Para reducir el riesgo de lesiones por la caída de la sierra circular sobre operadores o transeúntes, asegúrese que esté soportada firmemente cuando use el gancho para colgar, o se apoye en una ubicación segura y estable cuando no esté en uso. Asegúrese de mantener el área por debajo libre para reducir el riesgo que la herramienta o material de corte caiga y golpee a alguien o algo debajo de ella.

La sierra circular tiene un conveniente gancho para colgar **14** que permite colgarla en una estructura adecuada y estable entre usos. El gancho para colgar no está diseñado para anclar o asegurar la herramienta a una persona u objeto durante el uso cuando esté en lugares elevados.

### MANTENIMIENTO

**ADVERTENCIA:** Para reducir el riesgo de lesiones personales, apague la unidad y retire el paquete de batería antes de realizar cualquier ajuste o retirar/instalar conexiones o accesorios. Una activación de arranque accidental puede causar lesiones.

### Chip Tool Connect™ (Fig. U)

**ADVERTENCIA:** Para reducir el riesgo de lesiones, retire los accesorios del mandril de la herramienta antes de cualquier interacción con Tool Connect™.

Su herramienta está lista con el Chip Tool Connect™ y tiene una ubicación para instalación de un Chip Tool Connect™.

El Chip Tool Connect™ es una aplicación opcional para su dispositivo inteligente (como un teléfono inteligente o tableta) que conecta el dispositivo para utilizar la aplicación móvil para funciones de administración de inventario.

Consulte la Hoja de instrucciones del Chip Tool Connect™ para información adicional.

## Instalación de Chip Tool Connect™

1. Retire los tornillos de retención **33** que sostienen la cubierta de protección del Chip Tool Connect™ **34** en la herramienta.
2. Retire la cubierta de protección e inserte el Chip Tool Connect™ en la cavidad vacía **35**.
3. Asegúrese que el Chip Tool Connect™ esté al ras con el alojamiento. Asegúrelo con los tornillos de retención y apriete los tornillos.
4. Consulte la Hoja de Instrucciones de Chip Tool Connect™ para instrucciones adicionales.

## Limpieza



**ADVERTENCIA:** *Sople la suciedad y el polvo de todos los conductos de ventilación con aire seco, al menos una vez por semana. Para reducir el riesgo de lesiones, utilice siempre protección para los ojos aprobada ANSI Z87.1 al realizar esta tarea.*



**ADVERTENCIA:** *Nunca utilice solventes ni otros químicos abrasivos para limpiar las piezas no metálicas de la herramienta. Estos productos químicos pueden debilitar los materiales plásticos utilizados en estas piezas. Utilice un paño humedecido sólo con agua y jabón neutro. Nunca permita que penetre líquido dentro de la herramienta ni sumerja ninguna de las piezas en un líquido.*

## Protección Inferior

La protección inferior siempre debe girar y cerrar libremente desde una posición completamente abierta a completamente cerrada. Siempre verifique la operación correcta antes de cortar al abrir completamente la protección y dejarla que cierre. Si la protección se cierra lentamente o no por completo, necesitará limpieza o servicio. No use la sierra hasta que funcione correctamente. Para limpiar la protección, use aire seco o un cepillo suave para retirar todo el aserrín o desecho acumulado de la trayectoria de la protección y alrededor del resorte de la protección. Si esto no corrige el problema, necesitará recibir servicio por un centro de servicio autorizado.

## Ajuste de Placa Base (Fig. I, J)

Su placa base se ha ajustado en fábrica para asegurar que la cuchilla sea perpendicular a la placa base. Si después del uso extendido necesita volver a alinear la cuchilla, siga las instrucciones siguientes:

### Ajuste para Cortes de 90 Grados

1. Regrese la sierra al bisel de 0 grados.
2. Coloque la sierra sobre su costado, y retraiga la protección inferior.
3. Ajuste la profundidad de corte a 51 mm.
4. Afloje la palanca de ajuste de bisel (**10**, Fig. I). Coloque un cuadrado contra la cuchilla y la placa base como se muestra en la Figura I
5. Usando una llave, gire el tornillo de ajuste (**25**, Fig. J) en el lado inferior de la placa base hasta que la cuchilla

y la placa base estén al ras en contacto con el ángulo recto. Vuelva a apretar la palanca de ajuste de bisel.

## Ajuste de Palanca de Ajuste de Bisel

Puede ser aconsejable ajustar la palanca de ajuste de bisel **10**. Se puede aflojar con el tiempo y golpear la placa base antes de apretar.

### Para apretar la palanca:

1. Sostenga la palanca de ajuste de bisel **10** y afloje la contratuercera de bisel **24**.
2. Ajuste la palanca de ajuste de bisel girándola en la dirección deseada aproximadamente 1/8 de revolución.
3. Vuelva a apretar la tuerca.

## Cuchillas

Una cuchilla desafilada causará cortes ineficientes, sobrecarga en el motor de la sierra, astillas excesivas y aumentar la posibilidad de retroceso. Cambie las cuchillas cuando ya no sea fácil empujar la sierra a través del corte, cuando el motor se esfuerce, o cuando se acumule calor excesivo en la cuchilla. Es una buena práctica mantener cuchillas adicionales a la mano de forma que hayan cuchillas afiladas disponibles para uso inmediato. Las cuchillas sin filo se pueden afilar en la mayoría de las áreas.

La goma endurecida se puede retirar con queroseno, turpentina, o limpiador para hornos. Las cuchillas con recubrimiento anti-adherente se pueden usar en aplicaciones en la que se encuentre acumulación excesiva, tales como tratamiento a presión y madera verde.

## Accesorios



**ADVERTENCIA:** *Debido a que no se han probado con este producto otros accesorios que no sean los que ofrece DEWALT, el uso de dichos accesorios con esta herramienta podría ser peligroso. Para reducir el riesgo de lesiones, con este producto deben usarse sólo los accesorios recomendados por DEWALT.*

Los accesorios que se recomiendan para utilizar con la herramienta están disponibles a un costo adicional en su distribuidor local o en un centro de mantenimiento autorizado. Si necesita ayuda para localizar algún accesorio, póngase en contacto con DEWALT, llame al 1-800-4-DEWALT (1-800-433-9258) o visite nuestro sitio web: [www.dewalt.com](http://www.dewalt.com).

## Reparaciones

El Cargador y las unidades de batería no pueden ser reparados. El cargador y la unidad de batería no contienen piezas reparables.



**ADVERTENCIA:** *Para asegurar la SEGURIDAD y la CONFIDABILIDAD del producto, las reparaciones, el mantenimiento y los ajustes (inclusive la inspección y el cambio de las escobillas, cuando proceda) deben ser realizados en un centro de mantenimiento en la fábrica DEWALT u en un centro de mantenimiento autorizado DEWALT. Utilice siempre piezas de repuesto idénticas.*

**Para reparación y servicio de sus herramientas eléctricas, favor de dirigirse al Centro de Servicio más cercano**

**CULIACAN, SIN**

Bldv. Emiliano Zapata 5400-1 Poniente Col. ( 667 ) 717 89 99  
San Rafael

**GUADALAJARA, JAL**

Av. La Paz #1779 - Col. Americana Sector ( 33 ) 3825 6978  
Juárez

**MEXICO, D.F.**

Eje Central Lázaro Cárdenas No. 18 - Local ( 55 ) 5588 9377  
D, Col. Obrera

**MERIDA, YUC**

Calle 63 #459-A - Col. Centro ( 999 ) 928 5038

**MONTERREY, N.L.**

Av. Francisco I. Madero 831 Poniente - Col. ( 818 ) 375 23 13  
Centro

**PUEBLA, PUE**

17 Norte #205 - Col. Centro ( 222 ) 246 3714

**QUERETARO, QRO**

Av. San Roque 274 - Col. San Gregorio ( 442 ) 2 17 63 14

**SAN LUIS POTOSI, SLP**

Av. Universidad 1525 - Col. San Luis ( 444 ) 814 2383

**TORREON, COAH**

Bldv. Independencia, 96 Pte. - Col. Centro ( 871 ) 716 5265

**VERACRUZ, VER**

Prolongación Díaz Mirón #4280 - Col. ( 229 ) 921 7016  
Remes

**VILLAHERMOSA, TAB**

Constitución 516-A - Col. Centro ( 993 ) 312 5111

**PARA OTRAS LOCALIDADES:**

**Si se encuentra en México, por favor llame al ( 55 )  
5326 7100**

**Si se encuentra en U.S., por favor llame al  
1-800-4-DEWALT (1-800-433-9258) o visite nuestro sitio  
web: [www.dewalt.com](http://www.dewalt.com)**

**Póliza de Garantía**

IDENTIFICACIÓN DEL PRODUCTO:

Sello o firma del Distribuidor.

Nombre del producto: \_\_\_\_\_

Mod./Cat.: \_\_\_\_\_

Marca: \_\_\_\_\_

Núm. de serie: \_\_\_\_\_

(Datos para ser llenados por el distribuidor)

Fecha de compra y/o entrega del producto:  
\_\_\_\_\_

Nombre y domicilio del distribuidor donde se adquirió  
el producto:  
\_\_\_\_\_

Este producto está garantizado por un año a partir de la fecha de entrega, contra cualquier defecto en su funcionamiento, así como en materiales y mano de obra empleados para su fabricación. Nuestra garantía incluye la

reparación o reposición del producto y/o componentes sin cargo alguno para el cliente, incluyendo mano de obra, así como los gastos de transportación razonablemente erogados derivados del cumplimiento de este certificado.

Para hacer efectiva esta garantía deberá presentar su herramienta y esta póliza sellada por el establecimiento comercial donde se adquirió el producto, de no contar con ésta, bastará la factura de compra.

**Excepciones**

Esta garantía no será válida en los siguientes casos:

- Cuando el producto se hubiese utilizado en condiciones distintas a las normales;
- Cuando el producto no hubiese sido operado de acuerdo con el instructivo de uso que se acompaña;
- Cuando el producto hubiese sido alterado o reparado por personas distintas a las enlistadas al final de este certificado.

Anexo encontrará una relación de sucursales de servicio de fábrica, centros de servicio autorizados y franquiciados en la República Mexicana, donde podrá hacer efectiva su garantía y adquirir partes, refacciones y accesorios originales.

Solamente para propósito de México:

Importado por: DEWALT. Tool Co. S.A. de C.V.

Avenida Antonio Dovali Jaime, # 70 Torre B Piso 9

Colonia La Fe, Santa Fé

Código Postal : 01210 Delegación Alvaro Obregón

México D.F.

Tel. ( 52 ) 555-326-7100 R.F.C.: BDE810626-1W7

**Registro en Línea**

Gracias por su compra. Registre su producto ahora para:

- **SERVICIO EN GARANTÍA:** Si completa esta tarjeta, podrá obtener un servicio en garantía más eficiente, en caso de que exista un problema con su producto.
- **CONFIRMACIÓN DE PROPIEDAD:** En caso de una pérdida que cubra el seguro, como un incendio, una inundación o un robo, el registro de propiedad servirá como comprobante de compra.
- **PARA SU SEGURIDAD:** Si registra el producto, podremos comunicarnos con usted en el caso improbable que se deba enviar una notificación de seguridad conforme a la Federal Consumer Safety Act (Ley Federal de Seguridad de Productos para el Consumidor).
- Registro en línea en [www.dewalt.com](http://www.dewalt.com).

**Garantía Limitada de Tres Años**

Para los términos de garantía, visite <https://www.dewalt.com/Legal/Warranty/3-Year-Limited-Warranty>.

Para solicitar una copia escrita de los términos de garantía, póngase en contacto con: Servicio al Cliente en DEWALT Industrial Tool Co., 701 East Joppa Road, Towson, MD 21286 o llame al 1-800-4-DEWALT (1-800-433-9258).



**Compatible battery packs and chargers / Blocs-piles et chargeurs compatibles /  
Baterías y cargadores compatibles**

<b>20V Max* Li-Ion</b>	Battery Packs Blocs-piles Baterías	DCB200, DCB201, DCB203, DCB204, DCB204BT**, DCB205, DCB205BT**, DCB206, DCB208, DCB230, DCB240
	Chargers Chargeurs Cargadores	DCB103, DCB104, DCB107, DCB112, DCB113, DCB115, DCB118, DCB132, DCB1106, DCB1112

<b>60V Max* Li-Ion</b>	Battery Packs Blocs-piles Baterías	DCB606, DCB609, DCB612
	Chargers Chargeurs Cargadores	DCB103, DCB104, DCB107, DCB112, DCB113, DCB115, DCB118, DCB132, DCB1106, DCB1112

\* Maximum initial battery voltage (measured without a workload) is 20, 60 or 120 volts. Nominal voltage is 18, 54 or 108. (120V Max\* is based on using 2 DeWALT 60V Max\* lithium-ion batteries combined.)

\* La tension initiale maximum du bloc-piles (mesurée à vide) est de 20, 60 ou 120 volts. La tension nominale est de 18, 54 ou 108. (120 V max\* se base sur l'utilisation combinée de 2 blocs-piles au lithium ion DeWALT de 60 V max\*).

\* El máximo voltaje inicial de la batería (medido sin carga de trabajo) es 20 o 60 voltios. El voltaje nominal es de 18, 54 o 108 V. (120 V Máx\* se basan en el uso de 2 baterías de iones de litio DeWALT de 60 V Máx\* combinadas.)

\*\*BT - Bluetooth®

**NOTE:** The Bluetooth® word mark and logos are registered trademarks owned by the Bluetooth®, SIG, Inc. and any use of such marks by DeWALT is under license. Other trademarks and trade names are those of their respective owners.

**REMARQUE:** le mot servant de marque et les logos Bluetooth® sont des marques déposées appartenant à Bluetooth SIG, Inc. et toute utilisation de ces marques par DeWALT est sous licence. Les autres marques de commerce et noms commerciaux sont ceux de leurs détenteurs respectifs.

**NOTA:** La palabra y los logotipos de Bluetooth® son marcas registradas propiedad de Bluetooth®, SIG, Inc. y DeWALT utiliza dichas marcas bajo licencia. Otras marcas comerciales y nombres comerciales pertenecen a sus respectivos propietarios.



**WARNING:** Use of any other battery packs may create a risk of injury and fire.



**AVERTISSEMENT:** utiliser d'autres blocs-piles peut créer un risque de blessure ou d'incendie.



**ADVERTENCIA:** El uso de cualquier otro paquete de batería puede crear un riesgo de lesiones e incendio.

DeWALT Industrial Tool Co.701 East Joppa Road, Towson, MD 21286

Copyright © 2020

The following are trademarks for one or more DeWALT power tools: the yellow and black color scheme, the "D" shaped air intake grill, the array of pyramids on the handgrip, the kit box configuration, and the array of lozenge-shaped humps on the surface of the tool.