

## BATHROOM FAUCET:

- Flute™ Collection
- Single Handle Deck Mount
- 1 or 3 Hole Sink Applications

## STANDARD SPECIFICATIONS:

- Maximum 1.0 gpm @ 60 psi, 3.8 L/min @ 414 kPa
- One or three hole mount (escutcheon optional, included)
- Ceramic cartridge
- Red/Blue indicator markings
- Polymer braided flexible supply hose with 3/8" compression fitting - 23 13/16" (605mm) long
- Models have 50/50 push pop-up

## WARRANTY:

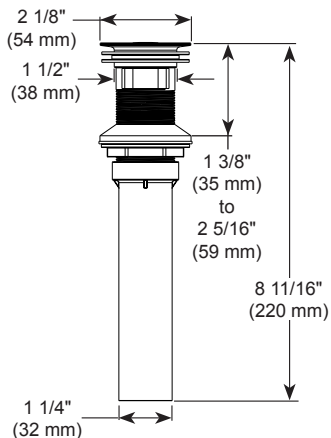
- Parts and Finish - Lifetime limited warranty; or for commercial purchasers, 10 years for multi-family residential (apartments and condominiums) and 5 years for all other commercial uses, in each case from the date of purchase.



## COMPLIES WITH:

- ASME A112.18.1 / CSA B125.1
- ASME A112.18.2 / CSA B125.2
- EPA WaterSense®
- ♿ Indicates compliance to ICC/ANSI A117.1

### RP101775▲ 50/50 Push Pop-Up



▲ Designate proper finish suffix