



redback®

120V Lithium Ion Cordless Line Trimmer



MODEL EA316

Operation Manual



This safety alert symbol identifies important safety messages in this manual. Failure to follow this important safety information may result in serious injury or death.

Part # 107696 Rev A



For Service or Questions

1-800-876-3009

www.redbacktools.com

email us at support@redbacktools.com

Table of Contents

Important Safety Information	
Intended Use	4
Personal Protective Equipment	4
General Safety	5
Safety Decals	6
Auger Assembly	7
Overview of Components	8
Operation	9
Charging the Battery	10
Maintenance	10
Cleaning & Storage	11
Warranty & Specifications	Back Cover



WARNING

WARNING: Read and thoroughly understand all instructions and safety information before assembling or operating the line trimmer. Failure to do so may cause serious injury or death. Do not allow anyone to operate this line trimmer who has not read this manual. As with all power equipment, a line trimmer can be dangerous if assembled or used improperly. Do not operate this line trimmer if you have doubts or questions concerning safe operation.

Call our customer service department at **1-800-876-3009**, or visit **www.redbacktools.com** if you have any questions or concerns about the safe operation of this equipment.



DANGER

Intended Use

Do not use the line trimmer for any purpose other than for which it was designed. Any other use is unauthorized and may result in serious injury or death.

Personal Protective Equipment

When operating this line trimmer it is essential that you wear safety gear including goggles or safety glasses, steel-toed shoes and tight fitting gloves (no loose cuffs or draw strings). Always wear ear plugs or sound deafening headphones to protect against hearing loss when operating this trimmer. Always wear sturdy footwear. Never wear sandals, sneakers or open shoes, and never operate the line trimmer with bare feet. Do not wear loose clothing that might get caught in moving parts.



General Safety

Failure to follow warnings, cautions, assembly and operation instructions in the Operation Manual may result in serious injury or death.



DANGER

READ THE OPERATION MANUAL BEFORE OPERATION.

- **Do not** permit children to operate this equipment at any time.
- **Do not** permit others that have not read and understood the complete Operation Manual to operate this equipment.
- The line trimmer can propel objects it strikes at high speeds. **Keep all people and pets a minimum of 10 feet away from the work area when operating the line trimmer.** It is recommended to wear heavy long pants during operation.
- **Do not** operate the line trimmer when under the influence of alcohol, drugs or medication.
- **Do not** allow a person who is tired, otherwise impaired or not completely alert to operate the line trimmer.



DANGER

- Do not operate the line trimmer in rain or other wet conditions. Protect the line trimmer from rain.
- Always keep hands, feet, hair and loose clothing away from the line trimmer.
- The battery should be removed before any repairs are attempted.

Battery tool use and care

- Recharge only with the charger specified by the manufacturer. A charger that is suitable for one type of battery pack may create a risk of fire when used with another battery pack.
- Use power tools only with specifically designated battery packs. Use of any other battery packs may create a risk of injury and fire.
- When battery pack is not in use, keep it away from other metal objects, like paper clips, coins, keys, nails, screws or other small metal objects, that can make a connection from one terminal to another. Shorting the battery terminals may cause burns or a fire.
- Under certain conditions, liquid may be ejected from the battery; avoid contact. If contact accidentally occurs, flush with water. If liquid contacts eyes, additionally seek medical help. Liquid ejected from the battery may cause irritation or burns.
- **DO NOT USE BATTERIES WITH DAMAGED CASES.** Dispose of batteries properly. Do not dispose of batteries in household waste.



Important Safety Information

Safety Decals

Safety decals on the blower are to remind you of important information while you are operating the unit. Make sure all decals are attached and in readable condition. Replace missing or defaced decals. Contact RedbackTools at 1-800-876-3009 for replacement decals.



Line Trimmer Assembly

Installing the Trimmer Shaft

To connect the trimmer shaft, pull the quick connector open and rotate counter clockwise (see Figure 1). Align the two aluminum tubes inserting the bottom tube into the top. Then tighten the quick connector by rotating clockwise.

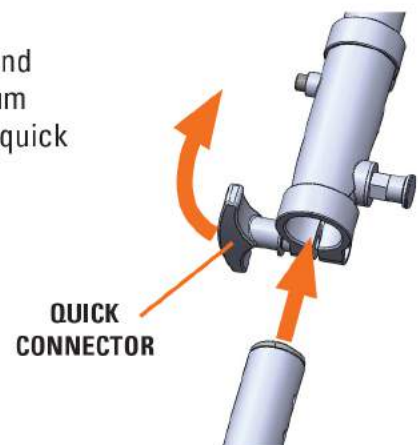


Figure 1



Line Trimmer Assembly

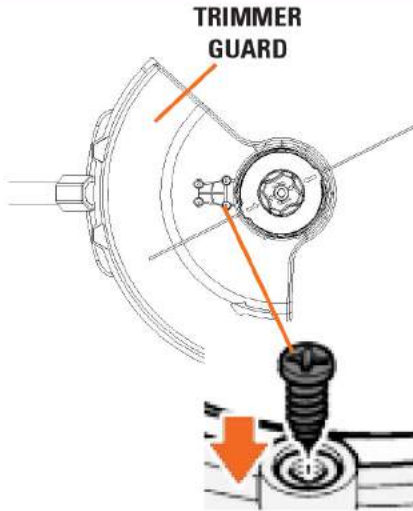


Figure 2

Installing the Trimmer Guard

The trimmer guard is an essential part of the line trimmer and must ALWAYS be used to prevent damage to the trimmer and injury to the operator. The guard is not attached to the trimmer when it is delivered to avoid damage in transit. To attach the guard, align the opening in the guard with the underside of the trimmer head (see Figure 2), and secure with four screws in four places.

Attaching the Plant Guard

Insert the plant guard into the holes of motor housing (see Figure 3).

Inserting/Replacing the Battery

Charge the battery as described in the charger operation manual. Attach the charged battery into the power tool by positioning, aligning and then sliding the battery into the power receptacle on the line trimmer until it clicks into place (see Figure 4).



CAUTION

**Protect the battery contacts when the battery is not being used.
Metal objects may short-circuit the contacts and pose
both an explosion and fire hazard!**

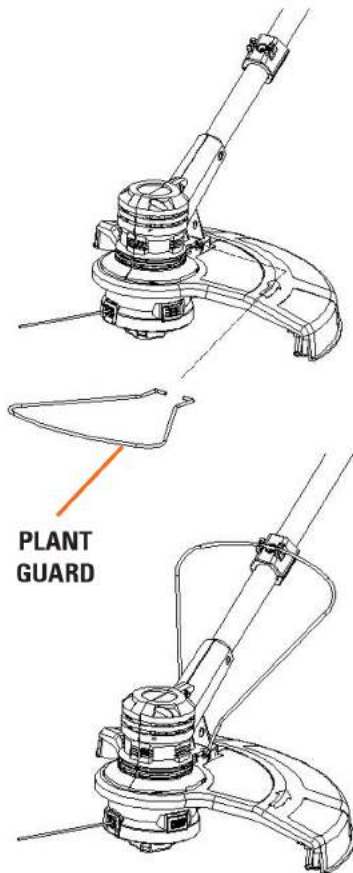
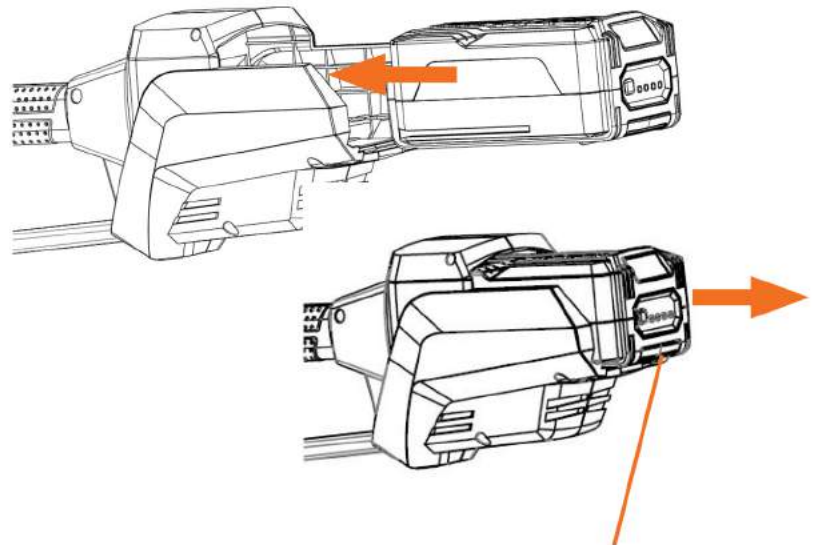


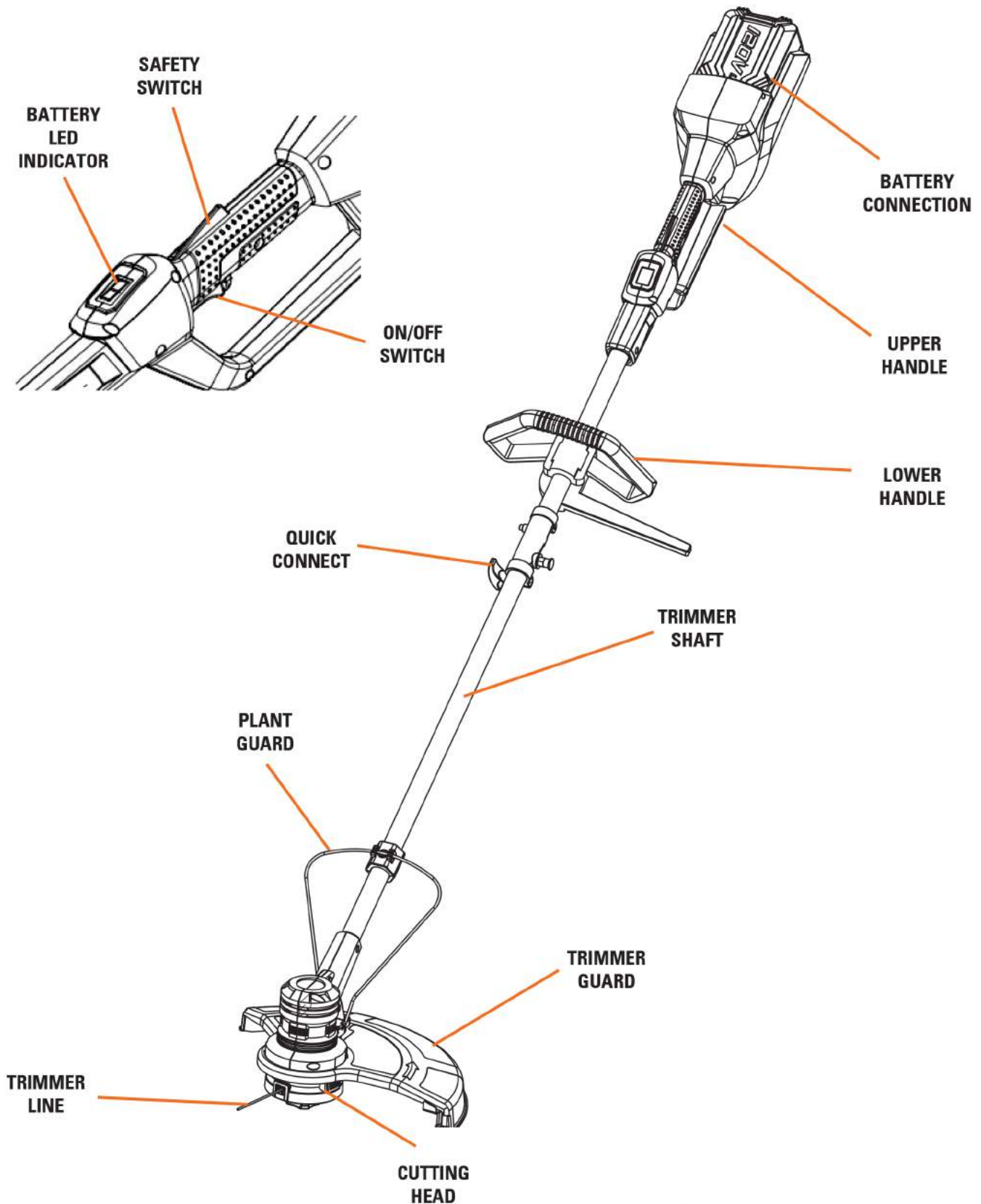
Figure 3



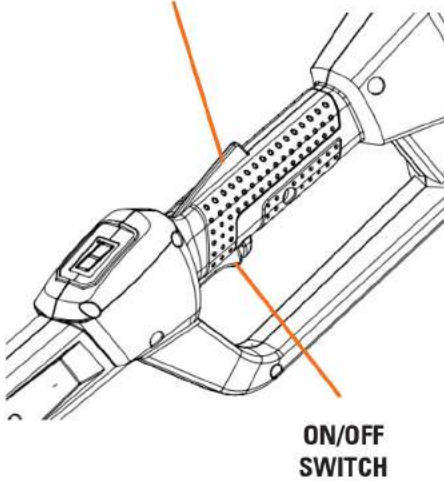
BATTERY
RELEASE

Figure 4

Overview of Components



SAFETY SWITCH



ON/OFF SWITCH

Figure 5

The line trimmer is ready to operate once the battery is installed. To operate press and hold the safety switch at the same time as the ON/OFF switch (see Figure 5). To turn the line trimmer off, release the ON/OFF switch.

Keep the cutting attachment parallel to the ground and make sweeping movements from side to side. Walk slowly forwards. Use only the tip of the line for cutting, especially along walls. If more than the tip is used for cutting, the cutting capacity is reduced and the motor may overload. Cut tall grass in two or more passes from the top down to prevent premature wear of the line and motor resistance. Cut dry grass and weeds only. The trim line may break by becoming entangled with foreign objects, with normal wear, by attempting to cut thick-stalked weeds, or by striking walls, garden fences, etc.

Automatic Line Release

You can release the cutting line without stopping the motor. To release more cutting line, gently tap the cutting head on the ground while running the line trimmer. The line blade in the guard cuts the line back to the correct length if too much cutting line is released. It is best to bounce the cutting head on bare ground or hard earth.

LED Battery Indicator

The battery state indicator shows the capacity of the battery. The indicator goes out after 5 seconds. If one of the LEDs flashes, the battery must be recharged. If none of the LEDs light up after the button is pressed, the battery is faulty and should be replaced.

Work instructions

Attach the shoulder belt to the unit. Pull the shoulder belt over your head. Hold the unit with both hands: one hand on the rear handle, the other hand on the handlebar. Keep the cutting attachment parallel to the ground and make sweeping movements from side to side as you walk slowly forwards.

Use only the tip of the line for cutting, especially along walls. If more than the tip is used for cutting, the cutting capacity is reduced and the engine may overload. Cut grass which is taller than 7.87" (20 cm) from the top down in small stages to prevent premature wear of the line and engine resistance. Cut dry grass and weeds only.



Before performing any maintenance on the line trimmer, remove the battery.

Replacing Trimmer Line

Always use a cutting line with a diameter of 0.095" (2.4mm) max. If a thicker line is used, the motor may overheat or fail.

1. Insert the end of the cutting line into the retaining lug of the spool on one side (see Figure 5).
2. Insert the end of the cutting line into the retaining lug of the spool on the other side (see Figure 6).
3. Attach the joint snap into the spool housing (see Figure 7).
4. Place the spring over the post on the spool housing (see Figure 8).
5. Attach the spool to the retainer (see Figure 9).
6. Attach the cover to the spool housing (see Figure 10).
7. Turn the top of the spool clockwise while holding the spool housing to wind the cutting line on to the spool (see Figure 11).

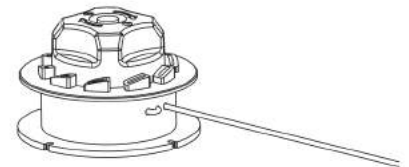


Figure 5



Figure 6

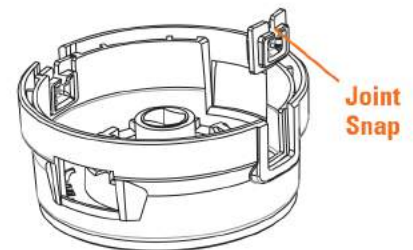


Figure 7

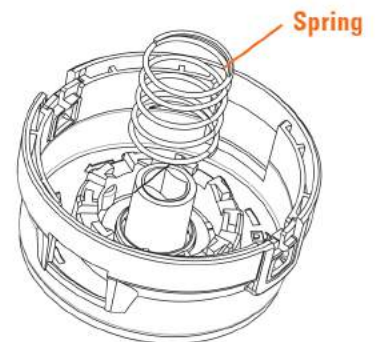


Figure 8

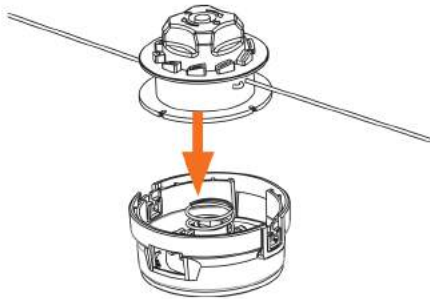


Figure 9

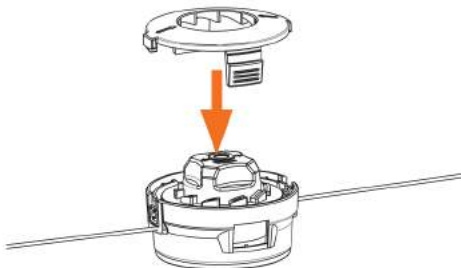


Figure 10



Figure 11

Warranty & Specifications

IMPORTANT NOTICE

We, the manufacturer, reserve the right to change the product and/or specifications in this manual without notification. The manual is for information usage only and the pictures and drawings depicted herein are for reference only.

Warranty Repair and Service

Do not return this product to the store for warranty issues or repair. Call our customer service department at **1-800-876-3009** or email us at **support@redbacktools.com**. You can extend your warranty by registering your product at **www.redbacktools.com**.

Record the information below for future reference.

Model No. _____

Serial No. _____

Date of Purchase _____

Place of Purchase _____

SKU/Part No.	EA316
Description	120V Lithium Ion Cordless Line Trimmer
Rated Voltage	120 Volts DC
Speed	6000rpm (no load)
Cutting Diameter	16 inches diameter
Cutting Line Diameter	0.095 Inches (2.4mm)
Run Time	Up to 50 minutes
Shipping Weight	15.4Lbs. (w/o battery)
Batteries	2.0Ah (included)
Battery Charger	1.0A Charger (included)
Warranty	3-Year Limited Warranty; 1-Year on Battery



For Service or Questions

1-800-876-3009

www.redbacktools.com

email us at support@redbacktools.com