



SERVICE PARTS LIST

BULLETIN NO.
54-26-3400

SPECIFY CATALOG NO. AND SERIAL NO. WHEN ORDERING PARTS		REVISED BULLETIN	DATE
M12™ FUEL™ 1/4 Hex Impact Driver			Nov. 2022
CATALOG NO.	3453-20	STARTING SERIAL	M77A
			WIRING INSTRUCTION See Pages 3

EXAMPLE:
Component Parts (Small #)
Are Included When Ordering
The Assembly (Large #).

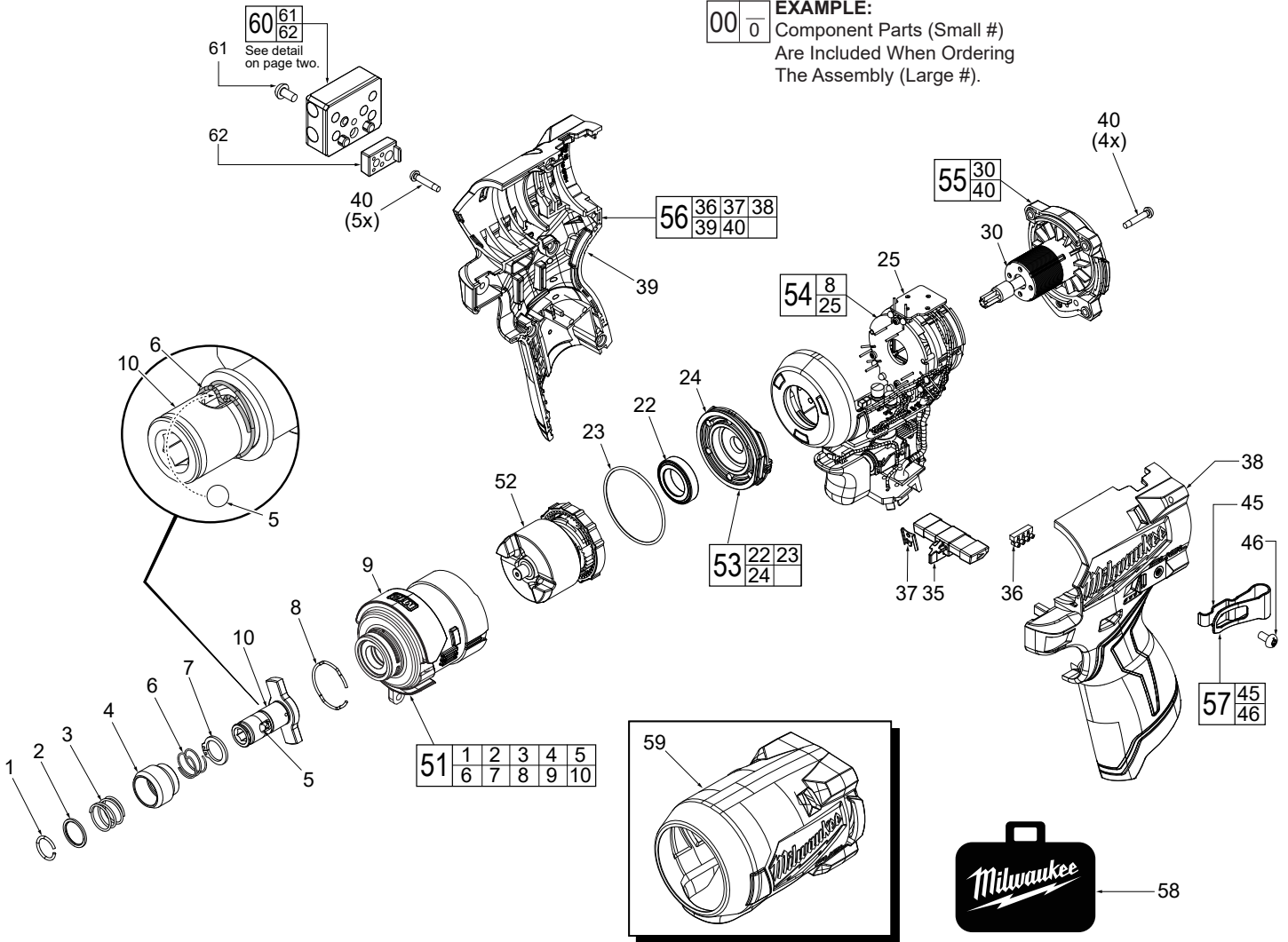
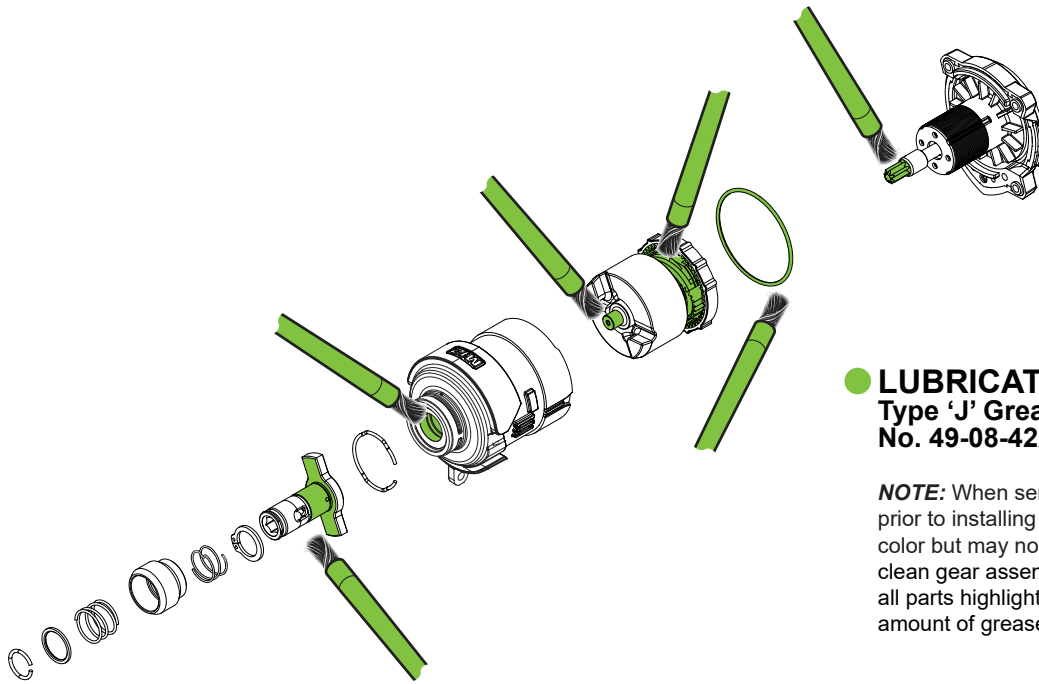


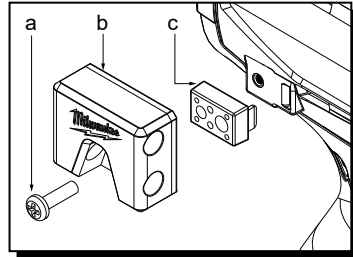
FIG.	PART NO.	DESCRIPTION OF PART	NO. REQ.	FIG.	PART NO.	DESCRIPTION OF PART	NO. REQ.
1	34-80-0013	Retaining Ring	(1)	39	-----	Housing Cover	(1)
2	45-88-1881	Washer	(1)	40	06-82-6351	M3 x 16mm Pan Hd. ST T-10 Screw	(9)
3	40-50-1470	Spring	(1)	45	-----	Belt Clip	(1)
4	45-22-2643	Sleeve	(1)	46	06-82-2500	6-32 x 7mm Pan Hd T-15 Screw	(1)
5	02-02-0171	Ball 3.5mm	(1)	49	12-20-3453	Service Nameplate (not shown)	(1)
6	40-50-0008	Anvil Spring	(1)	51	14-30-3401	Gearcase/Anvil Service Kit	(1)
7	34-60-0002	Snap Ring	(1)	52	14-30-3405	Impacting Assembly	(1)
8	34-60-0032	Retaining Ring	(1)	53	44-66-0873	End Cap Assembly	(1)
9	28-50-3453	Gearcase	(1)	54	14-20-3453	Electronics Assembly	(1)
10	42-06-0089	1/4" Hex Anvil	(1)	55	16-01-1047	Rotor/End Cap Service Assembly	(1)
22	-----	Ball Bearing	(1)	56	31-44-3453	Housing Service Kit	(1)
23	34-40-0304	O-Ring	(1)	57	42-70-0497	Belt Clip Service Kit	(1)
24	-----	Gearcase End Cap	(1)	58	42-55-2551	Zippered Tool Bag	(1)
25	-----	Electronics Assembly	(1)	59	49-16-3453	Rubber Boot (Accessory)	(1)
30	-----	Rotor/End Cap	(1)	60	49-16-3697	Bit Holder Kit (Accessory)	(1)
35	45-24-0550	Forward/Reverse Shuttle	(1)	61	06-82-3008	6-32 x 12.7mm Pan Hd. Philips Screw (for M12™)(Accessory)	(1)
36	23-28-0014	Light Pipe	(1)	62	-----	Adapter (for M12™) (Accessory)	(1)
37	42-70-0058	Housing Connection Clip	(1)				
38	-----	Housing Support	(1)				



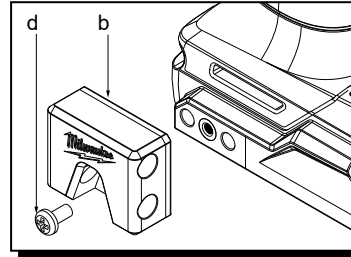
LUBRICATION NOTES:
Type 'J' Grease
No. 49-08-4220, 1 lb. can

NOTE: When servicing, remove 90-95% of existing grease prior to installing Type 'J'. Original grease may be similar in color but may not be compatible with 'J'. Prior to reinstalling, clean gear assemblies with a clean, dry cloth. Lightly coat all parts highlighted here with 'J' grease. Apply a greater amount of grease to all internal and external gear teeth.

Bit Holder on M12™ Products

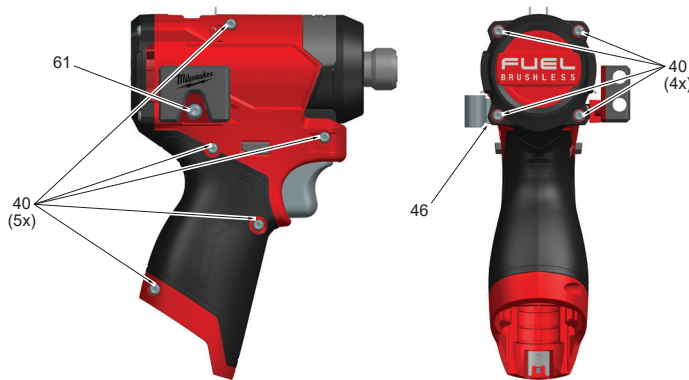


Bit Holder on M18™ Products



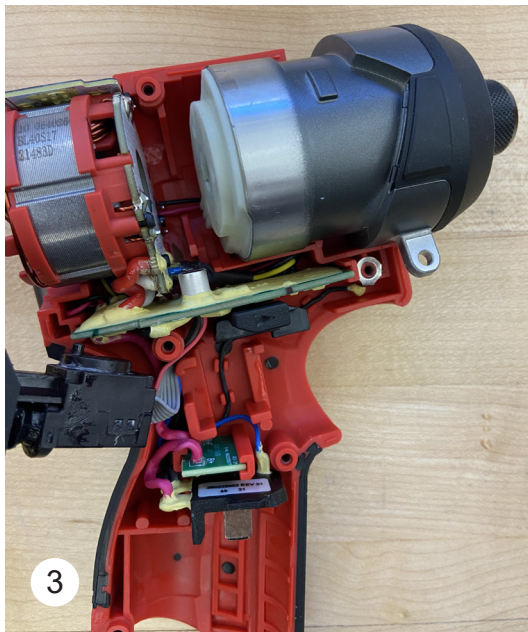
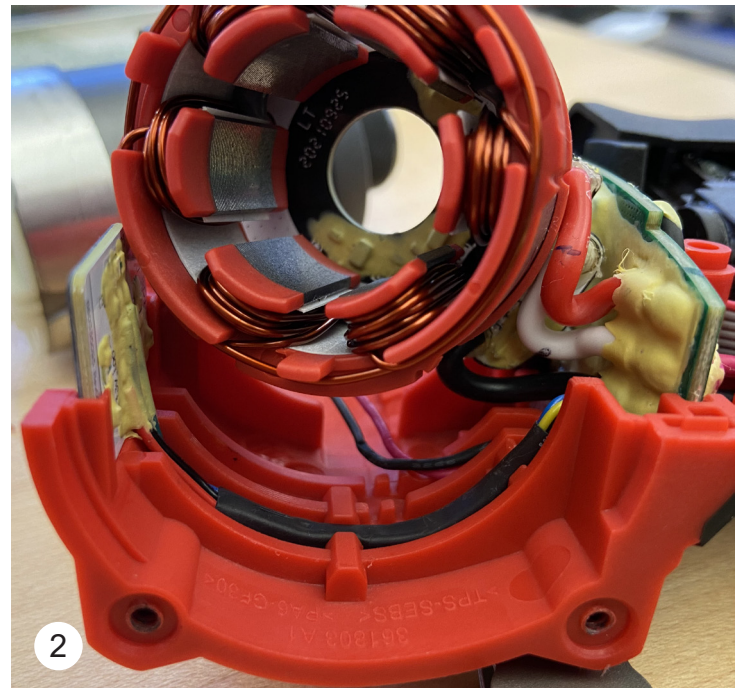
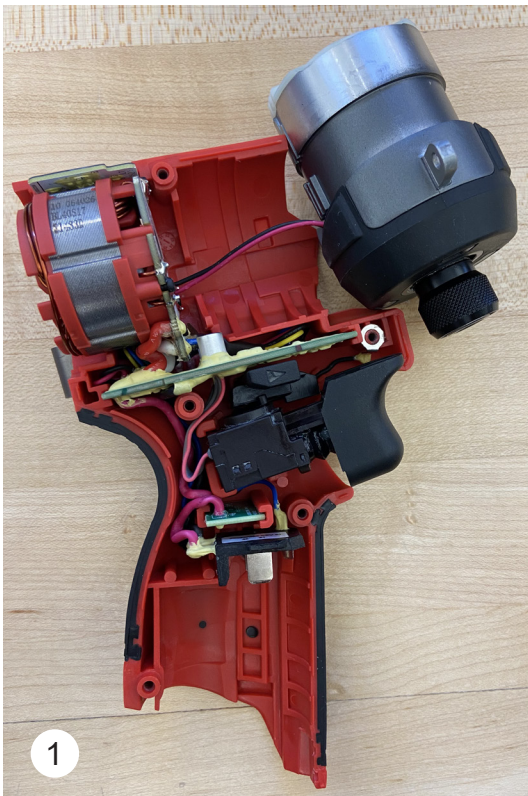
49-16-3697 BIT HOLDER (ACCESSORY)

FIG.	PART NO.	DESCRIPTION OF PART
a	06-82-3008	6-32 x 12.7mm Pan Hd. Phillips Screw (For M12™ Tools)
b	-----	Bit Holder
c	-----	Adapter (For M12™ Tools)
d	06-82-2500	6-32 x 7mm Pan Hd. Phillips Screw (For M18™ Tools)



SCREW TORQUE SPECIFICATIONS

FIG.	PART NO.	DESCRIPTION OF FASTENER	WHERE USED	SEAT TORQUE	
				(kgf-cm)	(lb-in)
40	06-82-6351	M3 x 16mm Pan Hd. ST T-10 Screw	Right Handle Halve - Handle Cover (Qty. of 5)	10±1	8.68±1
40	06-82-6351	M3 x 38mm Pan Hd. ST T-10 Screw	Handle Screw (Qty. of 4)	10±1	8.68±1
46	06-82-2003	6-32 x 7mm Pan Hd T-15 Screw	Belt Clip	12±2	10.42±2
61	06-82-3008	6-32 x 12.7mm Pan Hd. Philips Screw	Bit Holder	16±2	13.88±2



As an aid to reassembly, take notice of wire routings and position in wire guides and traps while dismantling the tool.

1. Ensure Light Pipe is installed. Install Gearcase into the handle half. Press the wires of the Shadowless LED into the grooves of the gearcase and in the traps.
2. Route Mode Select Board wires in the groove, then insert the control board in the housing. Shadowless LED wires go under the Mode Select Board wires.
3. Route Mode Select Board wires in the groove, then insert the control board in the housing. Shadowless LED wires go under the Mode Select Board wires.

4. Install ground wire terminal and press the ground wire into the grooves of the housing support, ensuring wires are pressed down completely in each trap. Install B+ wire under the B- wire and through the housing groove. Install trigger wire. Ensure wires are clear of the screw bosses.

Prior to installing Cover (Right Handle Halve), check that all electrical components are seated firmly and squarely in the handle cavities. Be sure all wires and connectors are tucked in place and are not interfering with the trigger movement of the Forward/Reverse Shuttle. Be sure wires are not going to be pinched.

Before securing Cover (Right Handle Halve) onto Support (Left Handle Halve), check for proper functionality of the trigger as well as the Forward/Reverse Shuttle.

Install battery and depress switch trigger to assure tool is operating properly.