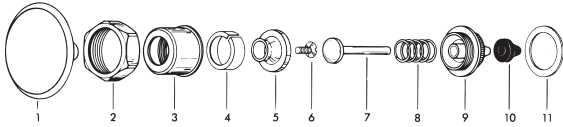


## Push, Pull, Pedal Push and Pedal Handle Push Button

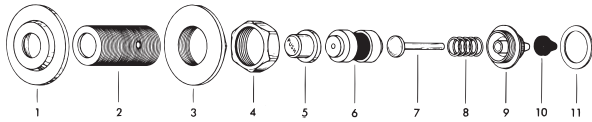


### 3" Push Button For Exposed Royal® & Crown®

Item No.	Code No.	Part No.	Description
<b>Repair Kits</b>			
	<b>3303396</b>	C-64-A	Push Button Repair Kit contains item nos. 7-11
	<b>3303347</b>	C-1000-A	Replacement Kit contains item nos. 1,5 & 6
<b>Repair Parts</b>			
1-11.	<b>0303351</b>	C-42-A	Push Button Assembly
1.	*	C-42	3" Push Button CP
2.	<b>0301082</b>	A-6	CP Coupling
3-4.	<b>0302109</b>	B-7-A	Socket
5.	*	C-41	Shank Head
6.	*	C-43	Screw RB
7.	*	B-8-A	Plunger
8.	<b>0303019</b>	C-7	Spring
9.	*	B-49	Bushing
10.	<b>5302297</b>	B-39	Seal
11.	<b>5301139</b>	A-31	Gasket

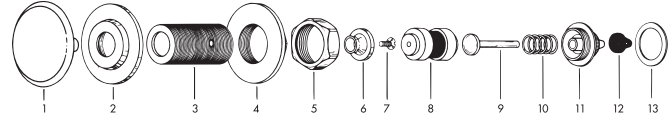
\*Available in kit only.

### Push Button For Concealed Royal® & Crown®



Item No.	Code No.	Part No.	Description
<b>Repair Kits</b>			
	—	C-9-A	Complete Push Button Assembly. Items 1-11. Consult factory.
	<b>3303399</b>	C-77-A	Push Button Repair Kit contains item nos. 7-11
<b>Repair Parts</b>			
1.	<b>0302248</b>	B-23	CP Wall Flange 2-3/4" O.D.
	<b>0302252</b>	B-23	CP Wall Flange 2-3/4" O.D. w/Set Screw for Wall Box Installation †
2.	—	B-6/B-6-A	In-Wall Sleeve. If required, consult factory.
3.	<b>0302260</b>	B-24	RB Locknut
4.	<b>0301082PO</b>	A-6	RB Coupling
5.	<b>0303002</b>	C-2	Index Push Button
6.	—	B-15-A	N/A. Multiple lengths available. Consult factory.
7.	*	B-8-A	Plunger
8.	*	C-7	Spring
9.	*	B-41	Bushing
10.	—	B-85	Permex® Seal
11.	<b>5301139</b>	A-31	Gasket

\*Available in kit only. †Wall Box Assembly for C-43-AWB/C-9-AWB/B-12-AWB

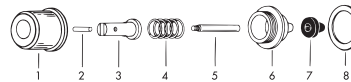


### 3" Push Button For Concealed Royal® & Crown®

Item No.	Code No.	Part No.	Description
<b>Repair Kits</b>			
	—	C-43-A	3" Push Button Assembly. Items 1-13. Consult factory.
	<b>3303398</b>	C-70-A	Push Button Repair Kit contains item nos. 9-13*
	<b>3303399</b>	C-77-A	Push Button Repair Kit contains item nos. 9-13 – Triple Seal Cone Seal*
	<b>3303347</b>	G-1000-A	Replacement Kit contains item nos. 1,6 & 7
<b>Repair Parts</b>			
1.	*	C-42	3" Push Button CP
2.	<b>0302248</b>	B-23	CP Wall Flange 2-3/4" O.D.
	<b>0302252</b>	B-23	CP Wall Flange 2-3/4" O.D. w/Set Screw for Wall Box Installation †
3.	—	B-6/B-6-A	In-Wall Sleeve. If required, consult factory.
4.	<b>0302260</b>	B-24	RB Locknut
5.	<b>0301083</b>	A-6	RB Coupling
6.	*	C-41	Shank Head
7.	*	C-43	RB Screw
8.	—	B-15-A	N/A. Multiple lengths available. Consult factory.
9.	*	B-8-A	Plunger
10.	<b>0303019</b>	C-7	Spring
11.	*	B-41	Bushing
12.	<b>5302297</b>	B-39	Seal
13.	<b>5301139</b>	A-31	Gasket

\*Available in kit only.

### Pull Button For Exposed Royal® & Crown® (Seat Action)



Item No.	Code No.	Part No.	Description
<b>Repair Kit</b>			
	<b>3303393</b>	C-61-A	Repair Kit contains item nos. 4-9
<b>Repair Parts</b>			
1.	<b>0303174</b>	C-25	Socket
2.	<b>5303213</b>	C-29	RB Pin
3.	<b>0303155</b>	C-23	CP Plunger Sleeve
4.	*	C-28	Spring
5.	*	C-24	Plunger Stem
6.	*	C-61	Bushing
7.	<b>5302297</b>	B-39	Seal
8.	<b>5301139</b>	A-31	Gasket

\*Available in kit only.

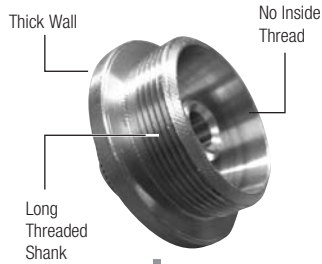
# Push, Pull, Pedal Push and Pedal Handle Push Button

## REPAIR KIT AND BUSHING ID CHART

### B-101 RB Bushing

Used in C-70-A repair kit & C-77-A repair kit. For concealed valve Actuators: B-12-A, C-9-A, C-43-A, B-17-A

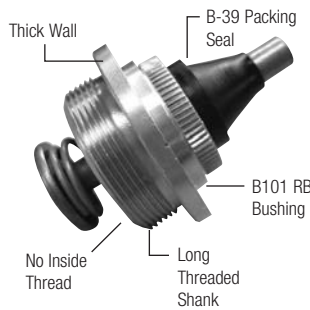
Note: Can NOT be used on Institutional/Prison Lav valves where an inside thread is required.



### C-70-A Repair Kit

The C-70-A repair kit is for concealed valves using the B-12-A, C-9-A, C-43-A, C-40-A or B-17-A actuator assembly.

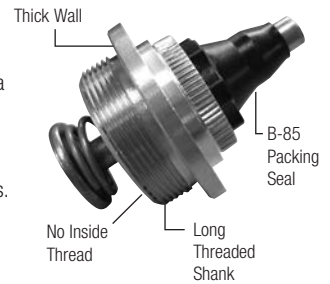
Note: Can NOT be used on Institutional/Prison Lav valves where an inside thread is required.



### C-77-A Repair Kit (Royal)

The C-77-A repair Kit is the same as the C-70-A repair kit only it uses the B-85 Packing Seal (upgrade), not the B-39. It is a repair kit for concealed valves using B-12-A, C-9-A, C-43-A or B-17-A actuator assembly. It is also in the Concealed Royal Performance repair kit, A-1201-08-A series.

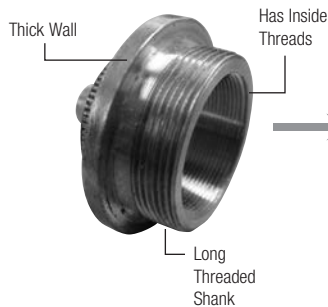
Note: Can NOT be used on Institutional/Prison Lav valves where an inside thread is required.



### B-41 RB Bushing

Used on the C-69-A Assembly for Institutional/Prison Lav valves. Used in the C-63-A repair kit.

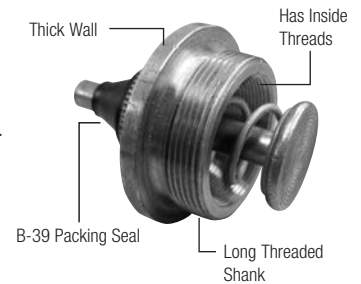
Note: MAIN USE IS THE INSIDE THREAD.



### C-63-A Repair Kit

Used on the C-69-A Assembly for Institutional/Prison Lav valves. Used in the C-63-A repair kit.

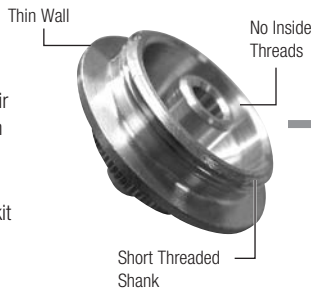
Note: MAIN USE IS THE INSIDE THREAD.



### B-49 RB Bushing

Used only on exposed valves using C-42-A (3" push button) or C-33-A (pedal) actuators. Used in C-64-A repair kit for 3" push button only. C-64-A can NOT be used to repair C-33-A pedal valves, use B-40-A.

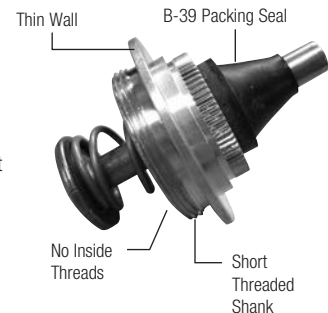
Note: CAN be used in a handle repair kit for heavy duty use.



### C-64-A Repair Kit

Used only on exposed valves using C-42-A (3" push button). Can NOT be used to repair C-33-A pedal valves, use B-40-A.

Note: CAN be used as a handle repair kit for heavy duty use, exposed valves.



### B-40-A Exposed Pedal Valve

Actuator repair kit.



Showerheads, Parts and Accessories