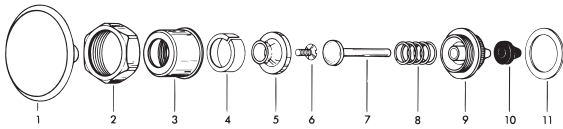


Push, Pull, Pedal Push and Pedal Handle Push Button

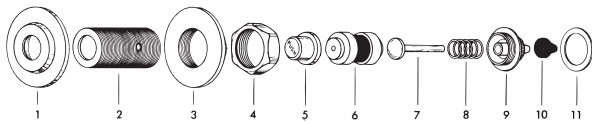


3" Push Button For Exposed Royal® & Crown®

Item			
No.	Code No.	Part No.	Description
Repair Kits			
	3303396	C-64-A	Push Button Repair Kit contains item nos. 7-11
	3303347	C-1000-A	Replacement Kit contains item nos. 1,5 & 6
Repair Parts			
1-11.	0303351	C-42-A	Push Button Assembly
1.	*	C-42	3" Push Button CP
2.	0301082	A-6	CP Coupling
3-4.	0302109	B-7-A	Socket
5.	*	C-41	Shank Head
6.	*	C-43	Screw RB
7.	*	B-8-A	Plunger
8.	0303019	C-7	Spring
9.	*	B-49	Bushing
10.	5302297	B-39	Seal
11.	5301139	A-31	Gasket

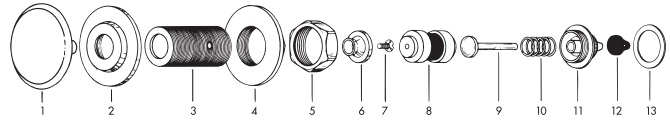
*Available in kit only.

Push Button For Concealed Royal® & Crown®



Item			
No.	Code No.	Part No.	Description
Repair Kits			
	—	C-9-A	Complete Push Button Assembly. Items 1-11. Consult factory.
	3303399	C-77-A	Push Button Repair Kit contains item nos. 7-11
Repair Parts			
1.	0302248	B-23	CP Wall Flange 2-3/4" O.D.
	0302252	B-23	CP Wall Flange 2-3/4" O.D. w/Set Screw for Wall Box Installation †
2.	—	B-6/B-6-A	In-Wall Sleeve. If required, consult factory.
3.	0302260	B-24	RB Locknut
4.	0301082PO	A-6	RB Coupling
5.	0303002	C-2	Index Push Button
6.	—	B-15-A	N/A. Multiple lengths available. Consult factory.
7.	*	B-8-A	Plunger
8.	*	C-7	Spring
9.	*	B-41	Bushing
10.	—	B-85	Permex® Seal
11.	5301139	A-31	Gasket

*Available in kit only. †Wall Box Assembly for C-43-AWB/C-9-AWB/B-12-AWB

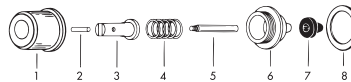


3" Push Button For Concealed Royal® & Crown®

Item			
No.	Code No.	Part No.	Description
Repair Kits			
	—	C-43-A	3" Push Button Assembly. Items 1-13. Consult factory.
	3303398	C-70-A	Push Button Repair Kit contains item nos. 9-13*
	3303399	C-77-A	Push Button Repair Kit contains item nos. 9-13 – Triple Seal Cone Seal*
	3303347	G-1000-A	Replacement Kit contains item nos. 1,6 & 7
Repair Parts			
1.	*	C-42	3" Push Button CP
2.	0302248	B-23	CP Wall Flange 2-3/4" O.D.
	0302252	B-23	CP Wall Flange 2-3/4" O.D. w/Set Screw for Wall Box Installation †
3.	—	B-6/B-6-A	In-Wall Sleeve. If required, consult factory.
4.	0302260	B-24	RB Locknut
5.	0301083	A-6	RB Coupling
6.	*	C-41	Shank Head
7.	*	C-43	RB Screw
8.	—	B-15-A	N/A. Multiple lengths available. Consult factory.
9.	*	B-8-A	Plunger
10.	0303019	C-7	Spring
11.	*	B-41	Bushing
12.	5302297	B-39	Seal
13.	5301139	A-31	Gasket

*Available in kit only.

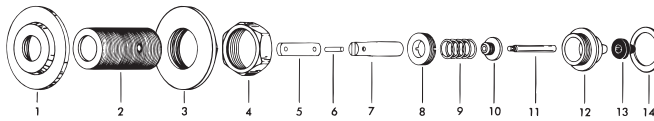
Pull Button For Exposed Royal® & Crown® (Seat Action)



Item			
No.	Code No.	Part No.	Description
Repair Kit			
	3303393	C-61-A	Repair Kit contains item nos. 4-9
Repair Parts			
1.	0303174	C-25	Socket
2.	5303213	C-29	RB Pin
3.	0303155	C-23	CP Plunger Sleeve
4.	*	C-28	Spring
5.	*	C-24	Plunger Stem
6.	*	C-61	Bushing
7.	5302297	B-39	Seal
8.	5301139	A-31	Gasket

*Available in kit only.

Push, Pull, Pedal Push and Pedal Handle Push Button

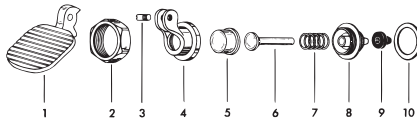


Pull Button For Concealed Royal® & Crown® (Seat Action)

Item			
No.	Code No.	Part No.	Description
Repair Kit			
	3303394	C-62-A	Repair Kit contains item nos. 9-14
Repair Parts			
1.	0302248	B-23	CP Wall Flange 2-3/4" O.D.
2.	—	C-30	In-Wall Sleeve. If required, consult factory.
3.	0302260	B-24	RB Locknut
4.	0301083	A-6	RB Coupling
5.	—	C-27	Link Available in Multiple Lengths. Consult factory.
6.	5303213	C-29	RB Pin
7.	—	C-31	Sleeve Available in Multiple Lengths. Consult factory.
8.	0203013	C-48	RB Sleeve Guide
9.	*	C-28	Spring
10.	*	C-32	Plunger Head
11.	*	C-24	Plunger Stem
12.	*	C-61	Special Bushing
13.	5302297	B-39	Seal
14.	5301139	A-31	Gasket

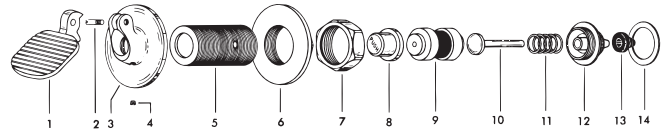
*Available in kit only.

Pedal Push Button For Exposed Royal® & Crown®



Item			
No.	Code No.	Part No.	Description
Repair Kit			
	3302304	B-40-A	Repair Kit contains item nos. 4-10
Repair Parts			
1-10.	0303289	C-33-A	Pedal RB Assembly
1.	0303293	C-34	CP Pedal
2.	0301082	A-6	Coupling
3.	5303298	C-35	CP Screw
4.	*	C-33	CP Socket
5.	*	C-37	CP Push Button
6.	*	B-8-A	Plunger (Special)
7.	0303019	C-7	Spring
8.	*	B-49	Bushing
9.	5302297	B-39	Seal
10.	5301140	A-31-P	Gasket

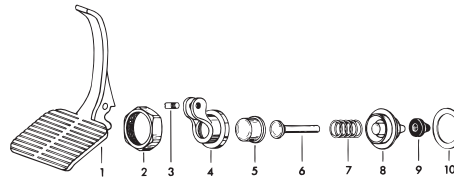
*Available in kit only.



Pedal Push Button For Concealed Royal® & Crown®

Item			
No.	Code No.	Part No.	Description
Repair Kit			
	—	C-40-A	Complete Pedal Push Button Assembly item nos. 1-14 LDIM required
	3303398	C-70-A	Push Button Repair Kit contains item nos. 10-14
	3303399	C-77-A	Push Button Repair Kit contains item nos. 10-14 – Triple Seal Cone Seal
Repair Parts			
1.	0303293	C-34	CP Pedal
2.	5303298	C-35	CP Screw
3-4.	0303303	C-40	CP Flange w/Set Screw
5.	—	B-6	In-Wall Sleeve. If required, consult factory.
6.	0302260	B-24	RB Locknut
7.	0301082PO	A-6	RB Coupling
8.	0303002	C-2	Index Push Button
9.	—	B-15-A	N/A. Multiple lengths available. Consult factory.
10.	*	B-8-A	Plunger
11.	0303019	C-7	Spring
12.	*	B-41	Bushing
13.	5302297	B-39	Seal
14.	5301139	A-31	Gasket

*Available in kit only.

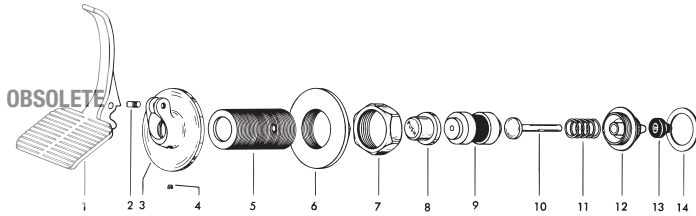


Pedal Handle Push Button For Exposed Royal® & Crown®

Item			
No.	Code No.	Part No.	Description
Repair Kit			
	3302304	B-40-A	Repair Kit contains item nos. 4-10
Repair Parts			
1-10.	0303290	C-33-A	Pedal Handle PB Assembly – OBSOLETE
1.	0303295	C-34	CP Pedal Handle – OBSOLETE
2.	0301082	A-6	Coupling
3.	5303298	C-35	CP Screw
4.	*	C-33	CP Socket
5.	*	C-37	CP Push Button
6.	*	B-8-A	Plunger (Special)
7.	0303019	C-7	Spring
8.	*	B-49	Bushing
9.	5302297	B-39	Seal
10.	5301140	A-31-P	Gasket

*Available in kit only.

Push, Pull, Pedal Push and Pedal Handle Push Button



Pedal Handle Push Button For Concealed Royal® & Crown®

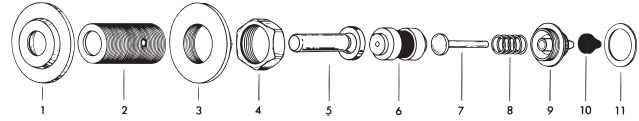
Item

No.	Code No.	Part No.	Description
Repair Kit			
—	C-40-A	Complete Pedal Handle Push Button Assembly. Items 1-14. Consult factory – OBSOLETE	

Repair Parts

1.	0303295	C-34	CP Pedal Handle – OBSOLETE
2.	5303298	C-35	CP Screw
3-4.	0303303	C-40	CP Flange w/Set Screw
5.	—	B-6/B-6-A	In-Wall Sleeve. If required, consult factory.
6.	0302260	B-24	RB Locknut
7.	0301082PO	A-6	RB Coupling
8.	0303002	C-2	Index Push Button
9.	—	B-15	N/A. Multiple lengths available. Consult factory.
10.	*	B-8-A	Plunger
11.	0303019	C-7	Spring
12.	*	B-41	Bushing
13.	5302297	B-39	Seal
14.	5301139	A-31	Gasket

*Available in kit only.



Handle For Concealed Royal® & Crown®

Item

No.	Code No.	Part No.	Description
Repair Kit			
3303398	C-70-A	CP ADA-Compliant Triple Seal Handle Assembly	

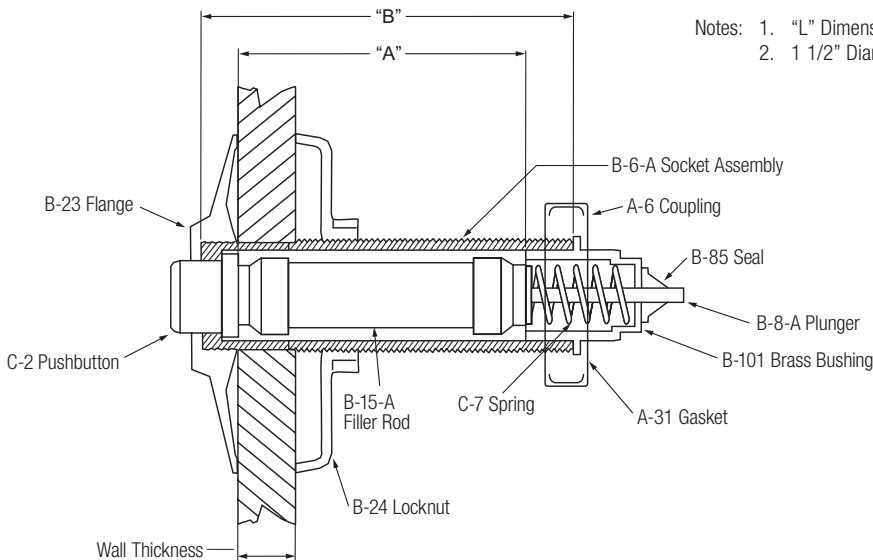
Repair Parts

1.	0302248	B-23	CP Wall Flange 2-3/4" O.D.
	0302252	B-23	CP Wall Flange 2-3/4" O.D. w/Set Screw for Wall Box Installation †
2.	—	B-6/B-6-A	In-Wall Sleeve. If required, consult factory.
3.	0302260	B-24	RB Locknut
4.	0301082PO	A-6	RB Coupling
5.	0302389	B-74-A	CP ADA-Compliant Handle
6.	—	B-15-A	N/A. Multiple lengths available. Consult factory.
7.	*	B-8-A	Plunger
8.	*	C-7	Spring
9.	*	B-41	Bushing
10.	5302297	B-39	Seal
11.	5301139	A-31	Gasket

*Available in kit only. †Wall Box Assembly for C-43-AWB/C-9-AWB/B-12-AWB

"L" Dimension PUSH BUTTON ID CHART (All dimensions in inches)

Wall Thickness	1	2	3	4	5	6	7	8	9	10	11	12	13	14	15
"L" Dimension	3 3/4	4 3/4	5 3/4	6 3/4	7 3/4	8 3/4	9 3/4	10 3/4	11 3/4	12 3/4	13 3/4	14 3/4	15 3/4	16 3/4	17 3/4
"A" (B-15-A) Filler Rod	1 5/8	2 5/8	3 5/8	4 5/8	5 5/8	6 5/8	7 5/8	8 5/8	9 5/8	10 5/8	11 5/8	12 5/8	13 5/8	14 5/8	15 5/8
"B" (B-6-A) Socket Assembly	2 1/2	3 1/2	4 1/2	5 1/2	6 1/2	7 1/2	8 1/2	9 1/2	10 1/2	11 1/2	12 1/2	13 1/2	14 1/2	15 1/2	16 1/2



Notes: 1. "L" Dimension = Wall thickness (to nearest whole inch) + 2 3/4"
2. 1 1/2" Diameter Hole Opening Required Through Wall



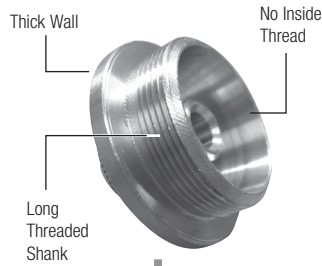
Push, Pull, Pedal Push and Pedal Handle Push Button

REPAIR KIT AND BUSHING ID CHART

B-101 RB Bushing

Used in C-70-A repair kit & C-77-A repair kit. For concealed valve Actuators: B-12-A, C-9-A, C-43-A, B-17-A

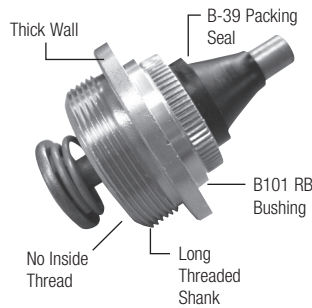
Note: Can NOT be used on Institutional/Prison Lav valves where an inside thread is required.



C-70-A Repair Kit

The C-70-A repair kit is for concealed valves using the B-12-A, C-9-A, C-43-A, C-40-A or B-17-A actuator assembly.

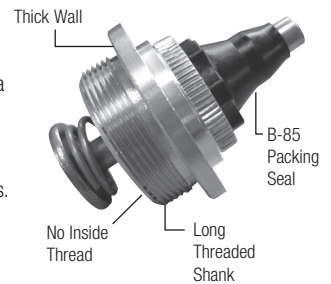
Note: Can NOT be used on Institutional/Prison Lav valves where an inside thread is required.



C-77-A Repair Kit (Royal)

The C-77-A repair Kit is the same as the C-70-A repair kit only it uses the B-85 Packing Seal (upgrade), not the B-39. It is a repair kit for concealed valves using B-12-A, C-9-A, C-43-A or B-17-A actuator assembly. It is also in the Concealed Royal Performance repair kit, A-1201-08-A series.

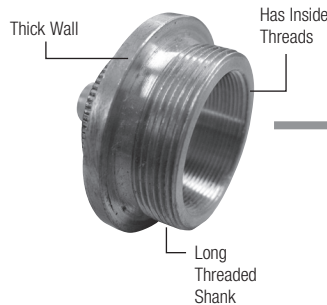
Note: Can NOT be used on Institutional/Prison Lav valves where an inside thread is required.



B-41 RB Bushing

Used on the C-69-A Assembly for Institutional/Prison Lav valves. Used in the C-63-A repair kit.

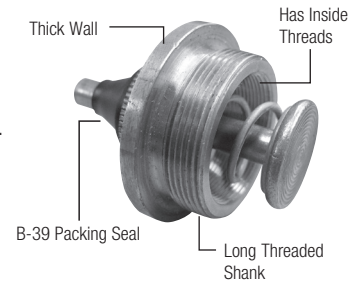
Note: MAIN USE IS THE INSIDE THREAD.



C-63-A Repair Kit

Used on the C-69-A Assembly for Institutional/Prison Lav valves. Used in the C-63-A repair kit.

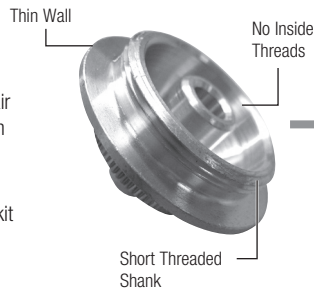
Note: MAIN USE IS THE INSIDE THREAD.



B-49 RB Bushing

Used only on exposed valves using C-42-A (3" push button) or C-33-A (pedal) actuators. Used in C-64-A repair kit for 3" push button only. C-64-A can NOT be used to repair C-33-A pedal valves, use B-40-A.

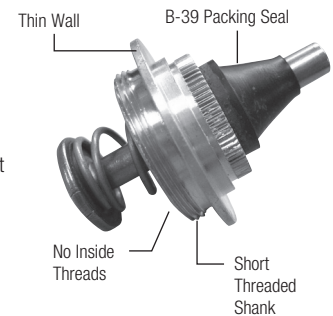
Note: CAN be used in a handle repair kit for heavy duty use.



C-64-A Repair Kit

Used only on exposed valves using C-42-A (3" push button). Can NOT be used to repair C-33-A pedal valves, use B-40-A.

Note: CAN be used as a handle repair kit for heavy duty use, exposed valves.



B-40-A Exposed Pedal Valve

Actuator repair kit.

