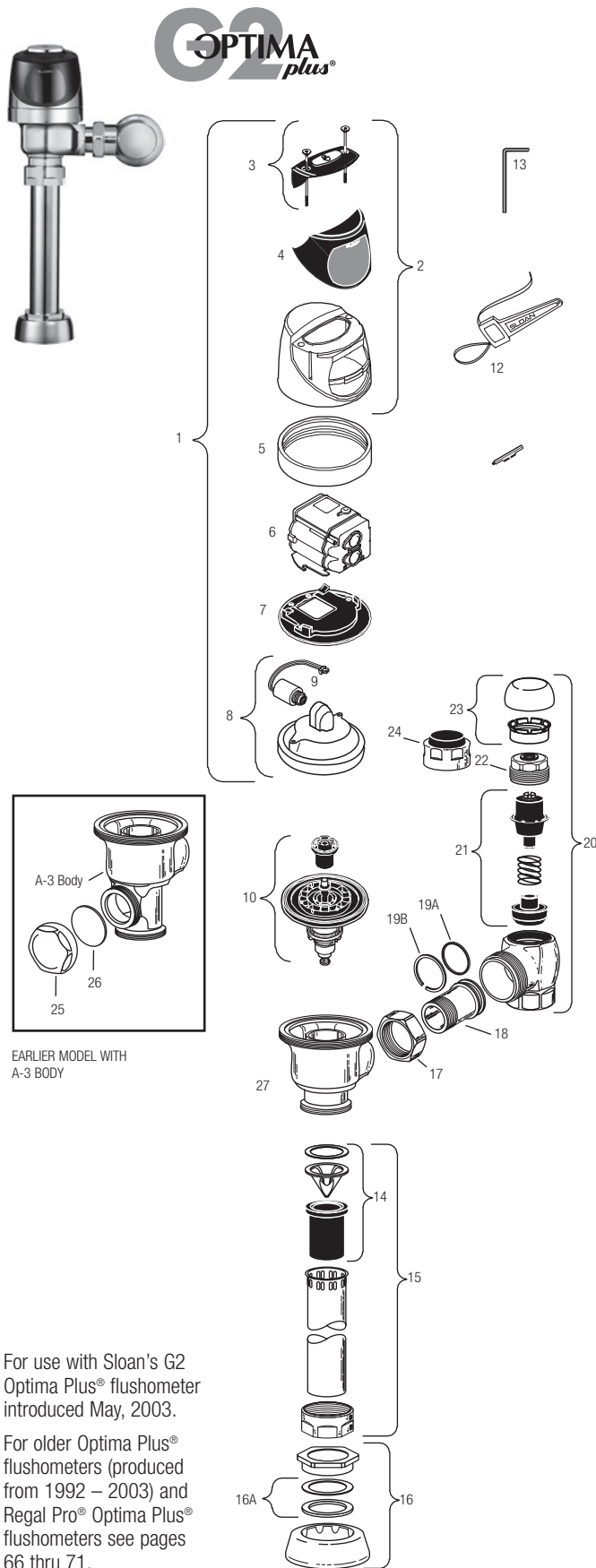


G2 Optima® Flushometer



For use with Sloan's G2 Optima Plus® flushometer introduced May, 2003.

For older Optima Plus® flushometers (produced from 1992 – 2003) and Regal Pro® Optima Plus® flushometers see pages 66 thru 71.

SENSOR MODULE COMPONENT PARTS

Item No.	Code No.	Part No.	Description
1.	0325160	EBV-138-A	G2 Cover/Ring/Sensor Assembly – Water Closet
	0325161	EBV-139-A	G2 Cover/Ring/Sensor Assembly – Urinal
	0325166	EBV-149-A	G2 Cover/Ring/Sensor Assembly – Water Closet w/ Zurn Ring
	0325167	EBV-150-A	G2 Cover/Ring/Sensor Assembly – Urinal w/Zurn Ring
2.	0325168	EBV-142-A	Cover Assembly
3.	0325172	EBV-130-A	Override Button Assembly includes screws & hex wrench
	0325170	EBV-132-A	Screws (2) and Allen Wrench Only
4.	0325169	EBV-131	Lens Window Cover
5.	0325804	EBV-14	Locking Ring CP
	0325210	EBV-168	Locking Ring CP OBSELETE
6.	3325524	EBV-31-A	Locking Ring – for Zurn Valves
	3325450	EBV-129-A-C	G2 Electronic Module – Water Closet
	3325451	EBV-129-A-U	G2 Electronic Module – Urinal
7.	0325171	EBV-134	Cover Rest Plate
8.	3325456	EBV-145-A	Inside Cover Assembly (includes solenoid EBV-136-A)
	3325089	EBV-1010-A	Inside Cover Assembly (includes solenoid EBV-136-A and locking ring EBV-14)
9.	3325453	EBV-136-A	Solenoid (For G2 Modules only)*
10.	SEE CHART NEXT PAGE		Flex Tube Diaphragm Kit

* Refer to Page 58 for instructions regarding solenoid replacement.

ACCESSORIES

11.	0325107	EBV-91	Trimpot Adjustment Screwdriver OBSELETE
12.	0305823	EBV-22	Strap Wrench
13.	0325170	EBV-132-A	Allen Wrench

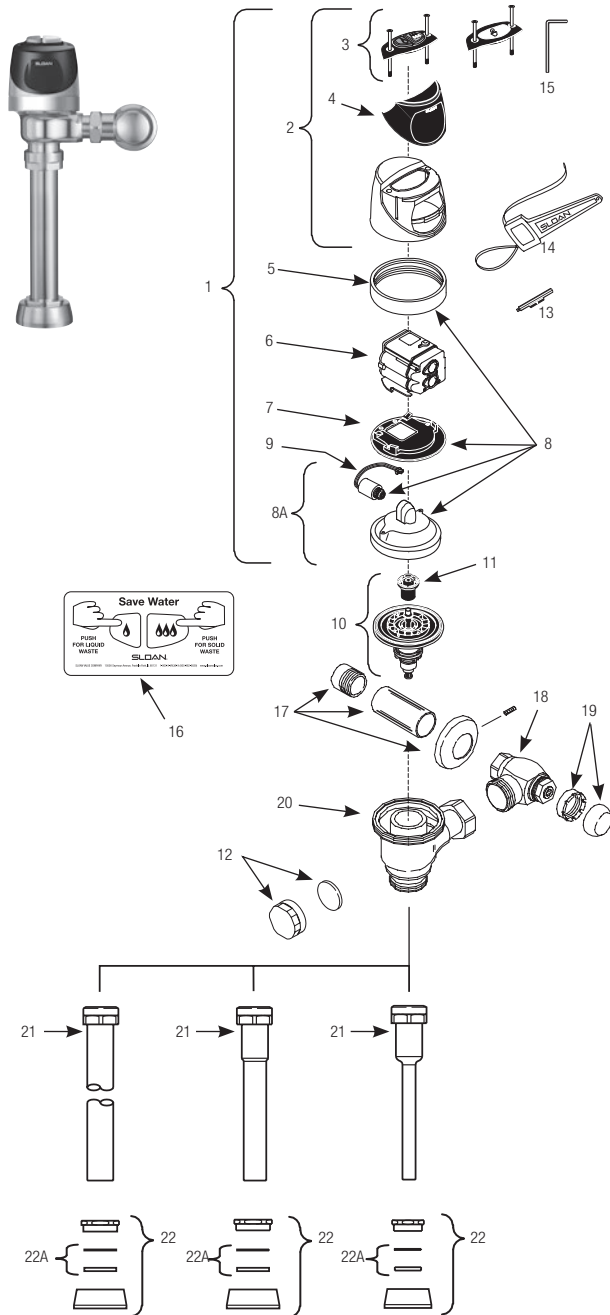
VALVE COMPONENT PARTS

14.	3323182	V-651-A	Vacuum Breaker Repair Kit
15.	0393004	V-600-AA	3/4" x 9" CP Vacuum Breaker
	0393006	V-600-AA	1-1/4" x 9" CP Vacuum Breaker
	3393007	V-600-AA	1-1/2" x 9" CP Vacuum Breaker
16.	0306125	F-5-AW	3/4" CP Spud Coupling
	0306140	F-5-AU	1-1/4" CP Spud Coupling
	0306146	F-5-AT	1-1/2" CP Spud Coupling
16A.	SEE SLIP JOINT GASKETS AND RINGS TABLE ON NEXT PAGE		
17.	0308676	H-550	CP Stop Coupling
18.	0308801	H-551-A	CP Adjustable Tailpiece 2-1/16" long
19A.	5308696	H-553	O-ring – 24 per package
19B.	5308381	H-552	Locking ring – 12 per package
20.	3308386	H-700-A	1" Screwdriver Bak-Chek® Stop CP – complete
	3308384	H-700-A	3/4" Screwdriver Bak-Chek® Stop CP – complete
21.	3308853	H-541-A	Control Stop Repair Kit †
	3308856	H-543-A	Control Stop Repair Kit † 3/4" H-540/H-600 only
22.	0308612	H-622	CP Bonnet †
	0308843	H-577	CP Bonnet † OBSELETE
23.	3308772	H-1010-A	Vandal Resistant Control Stop Cap Assembly †
	3308790	H-1009-A	Vandal Resistant Control Stop Cap Assembly †
24.	3325816	EBV-1019-A	3/4" Decorative Stop Cap
	3308866	H-574	1" Decorative Stop Cap
25.	3325814	EBV-1017-A	Handle Cap — Metal
26.	0311042	K-46	Blind Nut Gasket
27.	0305381	EBV-36-A	Squatty Valve Body
28.	3388015	H-1015	Flow Control Kit (HEU Only) (not Shown)

† For use with 1" and 3/4" H-700-A and 1" H-600-A Bak-Chek® screwdriver control stop

‡ For use with H-600-A 3/4" screwdriver Bak-Chek® control stops

Sloan ECOS® Single-Flush and Dual-Flush Flushometers



FLEX TUBE DIAPHRAGM ASSEMBLY



Sloan ECOS® Electronic Valve Models Feature Sloan's Exclusive flex tube diaphragm™ for the ultimate in valve performance, reliability and chloramine resistance.

Items Included with Complete Sloan ECOS Valves Only

Item. Code.	Part #	Description
22A	0306146 F-5-AT	1½" Spud Coupling Assembly (Water Closet Models)
22B	0306125PK F-5-AW	¾" Spud Coupling Assembly (Urinal Models)

† Part No. varies with valve model variation; consult factory.
22C. **SEE SLIP JOINT GASKETS AND RINGS TABLE ON NEXT PAGE**

Item. Code. Part # Description

Items Included with RESS Retrofit and Complete Sloan ECOS Flush Valves

1	0372055 WES-55-A	Cover/Ring/Sensor Assembly - Dual Flush WC
	0325160 EBV-138-A	Cover/Ring/Sensor Assembly - 1.6 & 1.28 gpf Single Flush WC
	— EBV-378-A	Cover/Ring/Sensor Assembly - 1.1 gpf Single Flush WC
	0325161 EBV-139-A	Cover/Ring/Sensor Assembly - 1.0 gpf Single Flush Urinal
	0325341 EBV-341-A	Cover/Ring/Sensor Assembly - 0.5 gpf Single Flush
	0325329 EBV-329-A	Cover/Ring/Sensor Assembly - 0.25 gpf Single Flush
	0325273 EBV-324-A	Cover/Ring/Sensor Assembly - 0.125 gpf Single Flush
	0372060 WES-60-A	Cover/Ring/Sensor Assembly w/ Zurn ring - Dual Flush WC
	0325166 EBV-149-A	Cover/Ring/Sensor Assembly w/ Zurn ring - 1.6 & 1.28 gpf Single Flush Water Closet
	0325167 EBV-150-A	Cover/Ring/Sensor Assembly w/ Zurn Ring - Single Flush Urinal
2	0325246 EBV-191-A	Cover Assembly - Dual Flush
	0325168 EBV-142-A	Cover Assembly - Single Flush
3A	0372033 WES-23-A	Button Cover Assembly with Screws - Dual Flush
	0325172 EBV-130-A	Button Cover Assembly with Screws - Single Flush
	0325242 EBV-182-A	Button Cover Assembly L/OR w/ Screws
3B	0325170 EBV-132-A	Screws (2) and Hex Wrench Only
4	0325169 EBV-131	Lens Window Cover
5	0325210PL EBV-168	Locking Ring
	3325524 EBV-31-A	Locking Ring - for Zurn valves
6	0325247 EBV-196-A	Module - ECOS Electronic 1.6/1.1 gpf Dual Flush
	— EBV-383-A	Module - ECOS Electronic 1.1 gpf Single Flush
	3325450 EBV-129-AC	Module - ECOS Electronic 1.6 & 1.28 gpf Single Flush
	0325395 EBV-386 AU	Single Flush 0.125 gpf/0.5 Lpf
	0325396 EBV-387 AU	single Flush 0.25 gpf/1.0 Lpf
	3325451 EBV-129-AU	Module - ECOS Electronic 0.5 & 1.0 gpf Single Flush
7	0325171 EBV-134	Cover Rest Plate
8	3325089 EBV-1010-A	Inner Cover Repair Kit (Metal)
8A	3325456 EBV-145-A	Inside Cover Assembly (includes solenoid)
9	3325453 EBV-136-A	Solenoid
10A	†	Flex Tube Diaphragm Assembly
10B	†	Cartridge Assembly
11	†	Flush Volume Regulator
12	3325814 EBV-1017-A	Handle Cap (RESS Retrofit Models only)
13	0325194 EBV-91	Range Adjustment Tool
14	0305823 EBV-22	Strap Wrench
15	0325159 EBV-137	7/64" Hex Wrench
16	0372031 WES-19	English Operation Instruction Plate
	— WES-22	Spanish Operation Instruction Plate
17.	3388015 H-1015	Flow Control Kit (HEU Only) (Not Shown)

Items Included with Complete Sloan ECOS Valves Only

17A	3308782 H-633-AA	1" (25 mm) Sweat Solder Kit
17B	3308788 H-636-AA	¾" (20 mm) Sweat Solder Kit
18A	0388000 H-700-A	1" (25 mm) Bak-Chek® Control Stop
18B	0388001 H-700-A	¾" (20 mm) Bak-Chek® Control Stop
19	3308797 H-1010-A	Vandal Resistant Stop Cap
20	0305381PK EBV-36-A	Valve Body
21A	3393002 V-600-AA	1½" (38 mm) x 10" (254 mm) Vacuum Breaker (Model 8110)
	0323044 V-600-AA	1½" (38 mm) x 23" (584 mm) Vacuum Breaker (Model 8115)
	0393049 V-600-AA	1½" (38 mm) x 26" (660 mm) Vacuum Breaker (Model 8116)
21B	0323117 V-600-AA	¾" (20 mm) x 10" (254 mm) Vacuum Breaker (Model 8186)
	0393039 V-600-AA	1¼" (31 mm) x 13½" (342 mm) Vacuum Breaker

The EBV-1020-A Kit is supplied with multiple Flush Volume Regulators. The installer must use the correct Regulator when installing the kit.