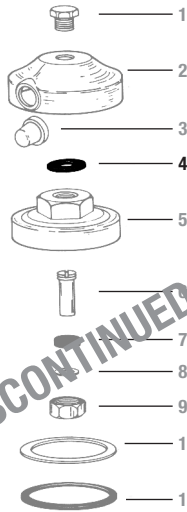


Gem-2® Flushometer

REPAIR PARTS FOR OLD STYLE GEM FLUSHOMETERS (PRE-1985) Adjustable Cover

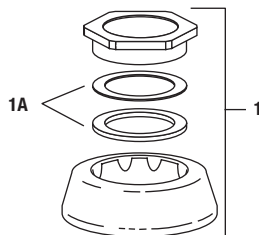
Item No.	Code No.	Part No.	Description
1.	—	G-24	CP Cover Screw – OBSOLETE
2.	—	G-23	CP Cover – OBSOLETE
	—	G-26	CP Cover for Bumper – OBSOLETE
3.	—	G-27	Bumper (12 per package) – OBSOLETE
4.	0307058	G-25	Cover Gasket (12 per package)
5.	—	G-4	RB Inside Cover – OBSOLETE
6.	—	G-6	RB Regular Screw – OBSOLETE
7.	—	S-26	Packing OBSOLETE
8.	—	S-24	Packing Disc OBSOLETE
9.	—	G-10	RB Packing Nut – OBSOLETE
10.	—	G-65	Gasket – OBSOLETE
11.	—	G-5	Gasket OBSOLETE



SPUD COUPLING FOR OLD STYLE GEM FLUSHOMETERS (PRE-MAY, 2003)

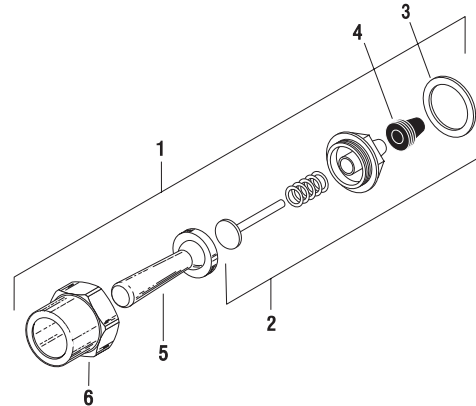
Item No.	Code No.	Part No.	Description
1.	0306125	F-5-A	3/4" Spud Coupling
	0305140	F-5-A	1-1/4" Spud Coupling
	0306146	F-5-A	1-1/2" Spud Coupling

1A. SEE SLIP JOINT GASKETS AND RINGS TABLE ON BOTTOM, PAGE 30



HANDLE ASSEMBLY FOR OLD STYLE GEM FLUSHOMETERS (PRE-MAY, 2003)

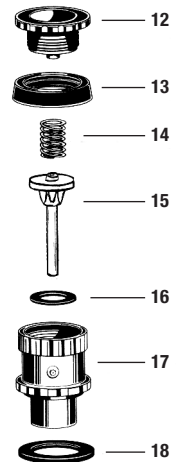
Item No.	Code No.	Part No.	Description
1.	0307100	G-143-A	Handle Assembly – 6 per package
2.	5307074	G-50-A	Handle Repair Kit – 6 per package
3.	5307065	G-35	Handle Gasket – 48 per package
4.	5302297	B-39	Handle Seal – (12 per package)
5.	—	G-36	Handle Grip
6.	—	G-28	Handle Socket



REPAIR PARTS FOR OLD STYLE PISTON

Item No.	Code No.	Part No.	Description
12.	0307105	G-77	Piston Cover
13.	0307106	G-78	Molded Cup*
14.	0307113	G-84	Spring
15.	0307110	B-81-A	Relief Valve
16.	0307112	G-83	Relief Valve Seat
17.	—	G-75	Closet Piston Body
	—	G-76	Urinal Piston Body
18.	0307052	G-21	Main Seat

* In addition must replace w/ G105 & G-106



PISTON KITS FOR OLD STYLE ADJUSTABLE GEM VALVES

Code No.	Part No.	Description	Piston Color	Barrel	Grooves
0307044	G-1002-A	Urinal	Black	Solid	0
0307043	G-1003-A	Water Closet	Black	Slotted	0

