

► **Code Number**

3070326

► **Description**

Exposed, Water Closet Flushometer for floor mounted or wall hung top spud bowls.

► **Flush Cycle**

- 1.28 gpf/4.8 lpf

► **Specifications**

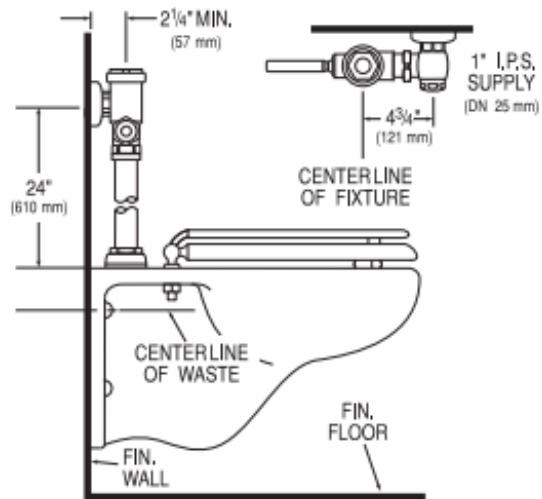
Quiet, Exposed, Piston Type, Chrome Plated Closet Flushometer with the following features:

- Fixed Volume Piston with Filtered O-ring Bypass
- ADA Compliant Metal Oscillating Non-Hold-Open Handle
- 1" I.P.S. Screwdriver Bak-Chek® Angle Stop with Locking Vandal Resistant Stop Cap
- Vacuum Breaker Flush Connection
- Spud Coupling, Wall and Spud Flanges for 1½" Top Spud
- Non-Hold-Open Handle and No External Volume Adjustment to Ensure Water Conservation
- Handle Packing, Stop Seat and Vacuum Breaker Molded from PERMEX® Rubber Compound for Chloramine Resistance



► **Accessories (Sold Separately)**

See Accessories Section of the Sloan catalog for details on these and other Flushometer variations.



► **Compliance & Certifications**



IAPMO cUPC

This space for Architect/Engineer Approval