

Gem•2® Model Flushometer

137

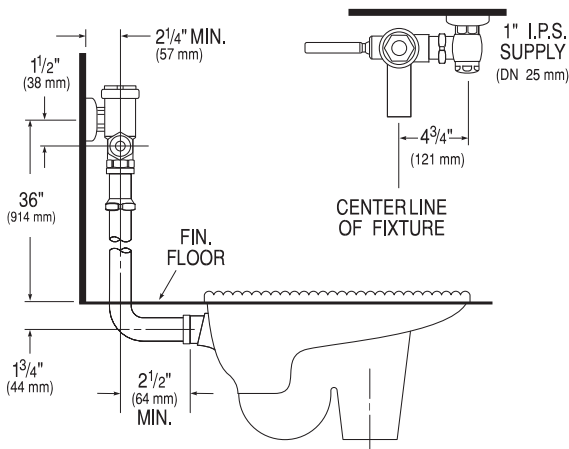
- ▶ **Description**
Exposed, Water Closet Flushometer for back inlet squat toilets.
- ▶ **Flush Cycle**
 - Model 137-1.6 Low Consumption (1.6 gpf/6.0 Lpf)
 - Model 137-2.4 (2.4 gpf/9.0 Lpf)
 - Model 137 Water Saver (3.5 gpf/13.2 Lpf)
- ▶ **Specifications**
Quiet, Exposed, Piston Type, Chrome Plated Closet Flushometer with the following features:
 - Fixed Volume Piston with Filtered O-ring Bypass
 - ADA Compliant Metal Oscillating Non-Hold-Open Handle
 - 1" I.P.S. Screwdriver Bak-Chek® Angle Stop
 - Locking Vandal Resistant Stop Cap
 - Adjustable Tailpiece
 - Vacuum Breaker Flush Connection for 1½" Back Inlet
 - Wall Flange
 - High Copper, Low Zinc Brass Castings for Dezincification Resistance
 - Non-Hold-Open Handle and No External Volume Adjustment to Ensure Water Conservation
 - Handle Packing, Stop Seat and Vacuum Breaker Molded from PERMEX™ Rubber Compound for Chloramine Resistance

Valve Body, Cover, Tailpiece and Control Stop shall be in conformance with ASTM Alloy Classification for Semi-Red Brass. Valve shall be in compliance to the applicable sections of ASSE 1037, ANSI/ASME A112.19.2.

- ▶ **Variations**
 - U** 1¼" Flush Connection
 - XYV** Less Vacuum Breaker
 - YB** Sweat Solder Adapter Kit
 - YBYC** Sweat Solder Adapter & Cast Wall Flange with Set Screw
 - YJ** Split Ring Pipe Support
 - YK** Solid Ring Pipe Support

Note: Bak Chek® Angle Stop available with 1" Whitworth Thread (please specify).

See Accessories Section of the Sloan catalog for details on these and other Flushometer variations.



Listed by I.A.P.M.O.

This space for Architect/Engineer approval

Job Name _____ Date _____

Model Specified _____ Quantity _____

Variations Specified _____

Customer/Wholesaler _____

Contractor _____

Architect _____

The information contained in this document is subject to change without notice.



SLOAN VALVE COMPANY • 10500 SEYMOUR AVE. • FRANKLIN PARK, IL. 60131
Ph: 1-800-9-VALVE-9 or 1-847-671-4300 • Fax: 1-800-447-8329 or 1-847-671-4380
Made in the U.S.A. www.sloanvalve.com