

**MICROPlumb®
PRODUCTS
Retrofit
Flushometer
Assemblies**

**MCR 270
1.6-MOD64**



► **Description**

Concealed electronic-operated water closet Flushometer for retrofit of manual, handle-operated Flushometer.

► **Model Number/Flush Cycle**

Model MCR 270-MOD64 Low Consumption (1.6 gpf/6.0 Lpf)

► **Specifications**

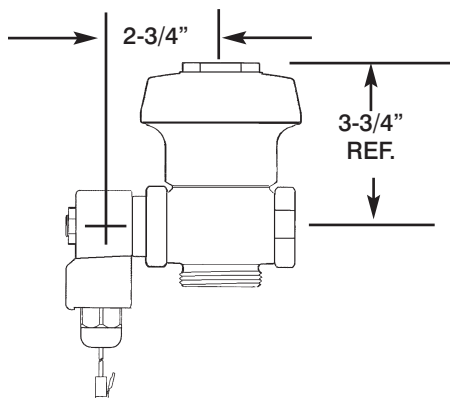
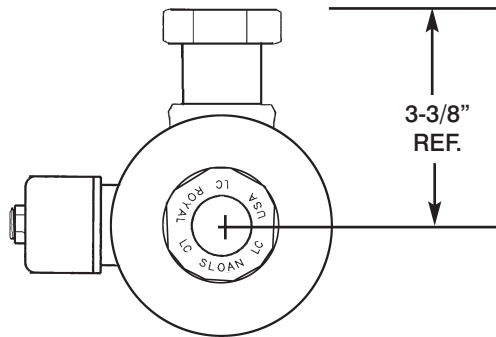
- Concealed electronic operated, diaphragm type, rough brass closet Flushometer
- 24 VAC 50/60 Hz solenoid operator
- 15' cord w/RJ-11 connection
- Solenoid operator is reversible (can be located right or left of water supply)
- Dual filtered Permex® bypass diaphragm
- V-651-A Vacuum Breaker repair kit
- S-21 Gasket

► **Variations**

AG Ground Joint Connection

LH Left Hand

RH Right Hand



This space for Architect/Engineer approval

The information contained in this document is subject to change without notice.



10500 Seymour Avenue • Franklin Park, Illinois 60131-1259
Phone 800-671-6970 • Fax 847-671-6944