



Efficiency Series

Model
SU-1210 Series
Vitreous China Retrofit Rear Spud Urinal

DESCRIPTION

Complete HEU vitreous china retrofit rear spud urinal fixture.

Flush Cycle

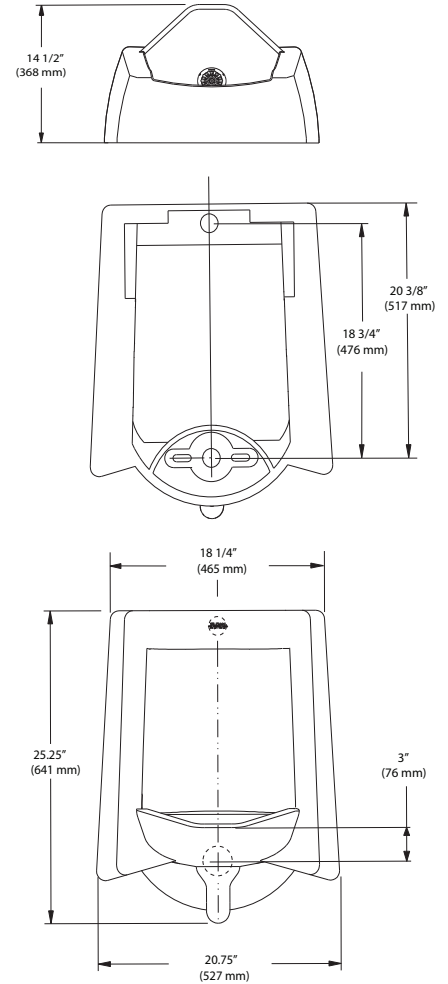
- Model SU-1210-0.13 (0.13 gpf/0.5 Lpf)
- Model SU-1212-0.25 (0.25 gpf/0.9 Lpf)
- Model SU-1215-0.5 (0.5 gpf/1.9 Lpf)



SPECIFICATIONS

Urinal Fixture

- Wall hung vitreous rear spud china
- Large footprint to cover old caulk lines
- Washdown flushing action
- 3/4" I.P.S. rear spud inlet
- 2" NPT outlet flange
- All mounting hardware included
- Integral flushing rim
- 100% factory flush tested
- Compliant to the applicable sections of ASME A112.19.2/CSA B45.1
- Carrier not included
- Compatible with the following Carriers:
Jay R. Smith Model 0636 or 0637, Wade Model 400,
Josam Model 17550-UR & MiFab Model MC-31



Meets the American Disabilities Guidelines and ANSI A117.1 requirements when installed at the proper height requirements for accessibility.



NOTE: Plumbing System Requirements
√ Minimum **Flowing** Pressure: 25 PSI

Product Specification

Washdown urinal shall be made of vitreous china with a 3/4" rear spud. Urinal shall have a 14" rim. Urinal shall include a removable strainer, inlet spud and hanger. Urinal shall be Sloan Model SU-12 ___ - ___ gpf.



This space for Architect/Engineer approval	
Job Name	Date
Model Specified	Quantity
Variations Specified	
Customer/Wholesaler	
Contractor	
Architect	



Sloan Valve Company
 10500 Seymour Avenue
 Franklin Park, IL 60131
 Phone: 1-800-9-VALVE-9 (982-5839)
 or 1-847-671-4300
 Fax: 1-800-447-8329 or 1-847-671-4380
 www.sloanvalve.com

Copyright © 2011 Sloan Valve Company
01/11 Rev. 0a