

Model  
**WEUS-1000.1403-0.13 SMOOTH**  
OPTIMA Plus® Systems Sensor Activated HEU Flushometer and HEU Urinal

**DESCRIPTION**

Complete HEU system with exposed, battery powered, sensor activated, Royal® OPTIMA Plus® SMOOTH™ urinal Flushometer and vitreous china urinal.

**Flush Cycle**

Model WEUS 1000.1403-0.13 SMOOTH  
(0.13 gpf/ 0.5 Lpf)



Meets the American Disabilities Guidelines and ANSI A117.1 requirements when installed according to these requirements.



NOTE: Plumbing System Requirements  
√ Minimum **Flowing** Pressure: 25 PSI

This space for Architect/Engineer approval	
Job Name	Date
Model Specified	Quantity
Variations Specified	
Customer/Wholesaler	
Contractor	
Architect	

The information contained in this document is subject to change without notice.

**SPECIFICATIONS**

Quiet, exposed, diaphragm type, chrome plated urinal Flushometer and vitreous china urinal with the following features:

**Flushometer**

- PERMEX® Synthetic Rubber Diaphragm with Dual Filtered Fixed Bypass
- ADA compliant metal oscillating Non-Hold-Open Handle with Triple Seal Handle Packing
- 3/4" I.P.S. Screwdriver Bak-Chek® Angle Stop
- High Back Pressure Vacuum Breaker Flush Connection with One-piece Bottom Hex Coupling Nut
- Spud Coupling and Flange for 3/4" Top Spud
- Sweat Solder Adapter w/Cover Tube and Cast Wall Flange w/Set Screw
- High copper, low zinc brass castings for dezincification resistance
- Non-Hold-Open Handle, Fixed Metering Bypass and no external volume adjustment to ensure water conservation
- Flush accuracy controlled by CID® technology
- Diaphragm, Handle Packing, Stop Seat and Vacuum Breaker molded from PERMEX® rubber compound for chloramine resistance
- Valve Body, Cover, Tailpiece and Control Stop shall be in conformance with ASTM Alloy Classification for Semi-Red Brass. Valve shall be in compliance to the applicable sections of ASSE 1037/ ASME A112.19.2/CSA B45.1

**OPTIMA Plus® SMOOTH™ Unit**

- ADA compliant OPTIMA Plus® SMOOTH™ battery powered infrared sensor for automatic "Hands-free" operation
- Sensor with automatic range adjustment
- Chrome plated metal sensor housing
- Mechanical Manual Override Flush Handle
- Four (4) size C batteries included
- "Low Battery" flashing LED
- "User in View" flashing LED
- 25 to 80 psi operating range
- Vandal resistant 1/8" ball-type hex key included

**SPECIFICATIONS (CONTINUED)**

**Urinal**

- Wall hung vitreous china
- Washdown flushing action
- 3/4" I.P.S. top spud inlet
- 2" NPT outlet flange
- All mounting hardware included
- Integral flushing rim
- 100 % factory flush tested
- Compliant to the applicable sections of ASME A112.19.2/CSA B45.1
- Carrier not included
- Compatible with Jay R. Smith Carrier 0636 or 0637

**FEATURES**

**ADA Compliant**

**Automatic**

Sloan SMOOTH™ equipped Flushometers provide the ultimate in sanitary protection and automatic operation. There is no need for AC hookups or wall alterations. The Flushometer operates by means of a battery powered infrared sensor. True mechanical manual override button enables the Flushometer to work in the event of a power failure. State-of-the-art technology enables activation of a manual override without "double flushing" occurring as the user departs (locks out sensor for approximately 10 seconds).

**Hygienic**

The Royal® OPTIMA® SMOOTH™ Flushometer System is the next advancement in hygiene. User makes no physical contact with the Flushometer surface except to initiate the Mechanical Manual Override Flush Handle when required. Helps control the spread of infectious diseases.

**Economical**

Sloan installed batteries speed installation and provide years of metered flushing to control the use of water and energy. Batteries can be changed without turning off the water.

**Warranty**

3 year (limited)



Sloan Valve Company is buying renewable energy certificates to meet 100% of the company's purchased electricity use at its Franklin Park, Illinois facility.

**SLOAN**®

Sloan Valve Company  
10500 Seymour Avenue  
Franklin Park, IL 60131  
Phone: 1-800-9-VALVE-9 (982-5839)  
or 1-847-671-4300  
Fax: 1-800-447-8329 or 1-847-671-4380  
www.sloanvalve.com

Copyright © 2010 Sloan Valve Company  
Rev. 0b (07/10)

**DESCRIPTION**

Complete HEU system with exposed, battery powered, sensor activated, Royal® OPTIMA Plus® SMOOTH™ urinal Flushometer and vitreous china urinal.

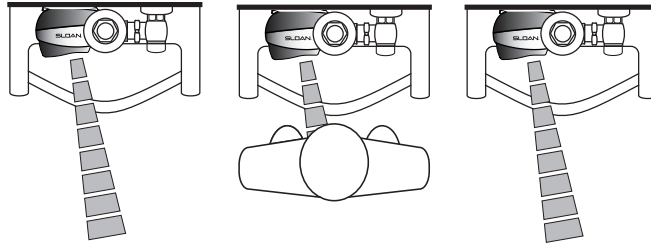
**Flush Cycle**

Model WEUS 1000.1403-0.13 SMOOTH  
(0.13 gpf/0.5 Lpf)

**ELECTRICAL SPECIFICATIONS**

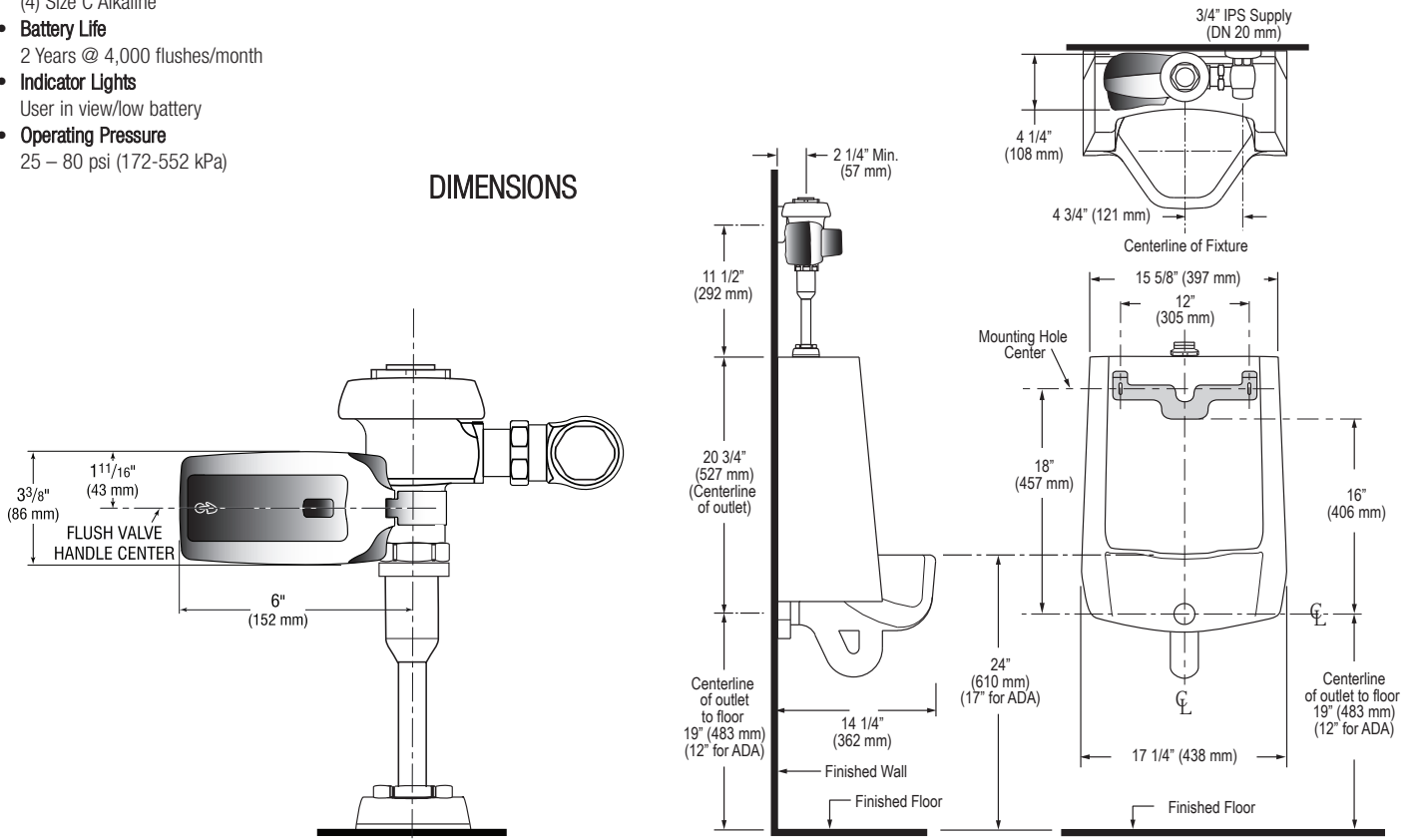
- **Control Circuit**  
6 VDC input, 8 second arming delay, 72 hour Sentinel Flush
- **OPTIMA Plus® Sensor Range**  
Normal Range (recommended for Water Closets) with 2 – 3 second flush delay:  
26" – 32" (660 mm – 813 mm)  
Normal Range (recommended for Water Closets) with 1 – 2 second flush delay:  
26" – 32" (660 mm – 813 mm)  
Reduced Range (recommended for Urinals) with 1 – 2 second flush delay:  
20" – 26" (508 mm – 660 mm)
- **OPTIMA Plus® Sensor Type**  
Active infrared with automatic adjustment
- **Battery Type**  
(4) Size C Alkaline
- **Battery Life**  
2 Years @ 4,000 flushes/month
- **Indicator Lights**  
User in view/low battery
- **Operating Pressure**  
25 – 80 psi (172-552 kPa)

**OPERATION**



1. A continuous, invisible light beam is emitted from the SMOOTH™ unit's Infrared Sensor.
2. When the user enters the sensor's effective range, the Red LED light in the sensor window flashes for eight seconds. After eight seconds of sensing the user, the light will stop flashing and the unit waits for the user to step away before initiating a flush cycle.
3. When the user steps away, the unit initiates a flush cycle. The unit then automatically resets and is ready for the next user.

**DIMENSIONS**



**SLOAN VALVE COMPANY • 10500 SEYMOUR AVENUE • FRANKLIN PARK, IL 60131**

Phone: 1-800-9-VALVE-9 or 1-847-671-4300 • Fax: 1-800-447-8329 or 1-847-671-4380 • www.sloanvalve.com