

Model
WEUS-1002.1201-0.25 SOLIS®
Solar Powered HEU Flushometer and HEU Urinal

DESCRIPTION

Complete HEU system with solar powered, sensor activated Sloan Solis® urinal Flushometer and vitreous china urinal.

Flush Cycle

Model WEUS 1002.1201-0.25 SOLIS (0.25 gpf/0.9 Lpf)



Meets the American Disabilities Guidelines and ANSI A117.1 requirements when installed according to these requirements.



NOTE: Plumbing System Requirements
√ Minimum **Flowing** Pressure: 25 PSI

SPECIFICATIONS

Quiet, exposed, diaphragm type, chrome plated urinal Flushometer for either left or right hand supply with the following features:

Flushometer

- PERMEX® Synthetic Rubber Diaphragm with Dual Filtered Fixed Bypass
- Flex Tube Diaphragm designed for improved life and reduced maintenance
- ADA Compliant Sloan Solis® Solar-Powered Infrared Sensor for automatic "No Hands" operation
- Infrared Sensor with Multiple-focused, Lobular Sensing Fields for high and low target detection
- Latching Solenoid Operator
- Engineered Metal Cover with replaceable Lens Window
- Courtesy Flush™ Override Button
- Sensor assembly powered by a solar cell that will harvest power from artificial indoor light, either incandescent or fluorescent light, providing approximately 100% power with 650 Illuminance (lux).
- Four (4) Size AA Battery back-up power source
- "Low Battery" Flashing LED
- Infrared Sensor Range Adjustment Screw
- Initial Set-up Range Indicator Light (first 10 minutes)
- Chrome Plated Metal Handle Cap
- 3/4" I.P.S. Screwdriver Bak-Chek® Angle Stop
- Free spinning, Vandal Resistant Stop Cap
- Adjustable Tailpiece
- High Back Pressure Vacuum Breaker Flush Connection with One-piece Bottom Hex Coupling Nut
- Spud Coupling and Flange for 3/4" Top Spud
- Sweat Solder Adapter w/Cover Tube and Cast Wall Flange w/Set Screw
- High copper, low zinc brass castings for dezincification resistance
- Fixed Metering Bypass and no external volume adjustment to ensure water conservation
- Flush Accuracy Controlled by CID® Technology
- Diaphragm, Stop Seat and Vacuum Breaker to be molded from PERMEX® rubber compound for chloramine resistance
- Valve Body, Tailpiece and Control Stop shall be in conformance with ASTM Alloy Classification for Semi-Red Brass. Valve shall be in compliance with the applicable sections of ASSE 1037/ASME A112.19.2/CSA B45.1

SPECIFICATIONS (CONTINUED)

Urinal

- Wall hung vitreous china
- Washdown flushing action
- 3/4" I.P.S. top spud inlet
- 2" NPT outlet flange
- All mounting hardware included
- Integral flushing rim
- 100 % factory flush tested
- Compliant to the applicable sections of ASME A112.19.2/CSA B45.1
- Carrier not included
- Compatible with Jay R. Smith Carrier 0636 or 0637
- Compliant with Buy American Act when purchased as a combination

FEATURES

ADA Compliant

Automatic

Sloan Solis® solar-powered Flushometers activate via multi-lobular sensor detection to provide the ultimate in sanitary protection and automatic operation. A solar-powered infrared sensor sets the flushing mechanism after the user is detected and completes the flush when the user steps away.

Functional & Hygienic

Touchless, sensor operation eliminates the need for user contact to help control the spread of infectious diseases. The Sloan Solis® Flushometer is provided with an Override Button to allow a "courtesy flush" for individual user comfort.

Economical

Solar power with back-up batteries provide years of metered flushing to control the use of water and energy. Batteries can be changed without turning off the water.

Warranty

3 year (limited)

Sloan SOLIS® Flushometer U.S. Patent No. D598,975



Sloan Valve Company is buying renewable energy certificates to meet 100% of the company's purchased electricity use at its Franklin Park, Illinois facility.

SLOAN

Sloan Valve Company
10500 Seymour Avenue
Franklin Park, IL 60131
Phone: 1-800-9-VALVE-9 (982-5839)
or 1-847-671-4300
Fax: 1-800-447-8329 or 1-847-671-4380
www.sloanvalve.com

Copyright © 2010 Sloan Valve Company
Rev. 0b (07/10)

This space for Architect/Engineer approval	
Job Name	Date
Model Specified	Quantity
Variations Specified	
Customer/Wholesaler	
Contractor	
Architect	

The information contained in this document is subject to change without notice.

Model
WEUS-1002.1201-0.25 SOLIS®
Solar Powered HEU Flushometer and HEU Urinal

DESCRIPTION

Complete HEU system with solar powered, sensor activated Sloan Solis® urinal Flushometer and vitreous china urinal.

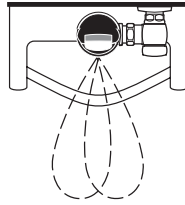
Flush Cycle

Model WEUS 1002.1201-0.25 SOLIS (0.25 gpf/0.9 Lpf)

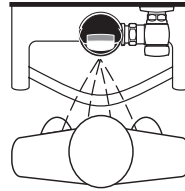
ELECTRICAL SPECIFICATIONS

- **Control Circuit**
Solid state
6 VDC input
8 second arming delay
72 hour Sentinel Flush
- **Sloan Solis® Sensor Type**
Active infrared
- **Sloan Solis® Sensor Range**
Nominal 15" – 30" (381 mm – 762 mm),
Adjustable ± 8" (203 mm)
- **Battery Back-up Type**
(4) AA Alkaline
- **Battery Life**
6 Years @ 4,000 flushes/month
- **Indicator Lights**
Range adjustment/low battery
- **Operating Pressure**
15 – 100 psi (104 – 689 kPa)
- **Sentinel Flush**
Once every 72 hours after the last flush

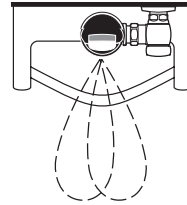
OPERATION



1. A continuous, invisible light beam is emitted from the Sloan Solis® Sensor.

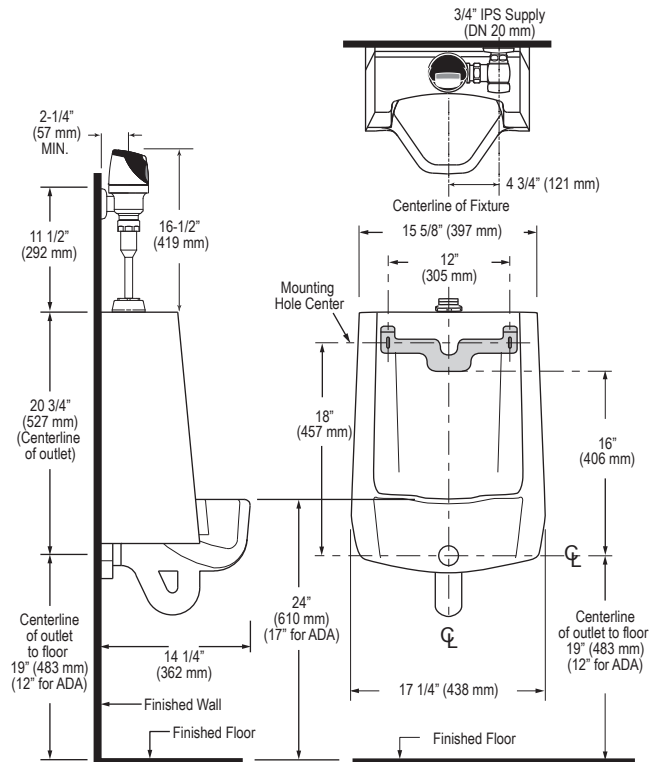
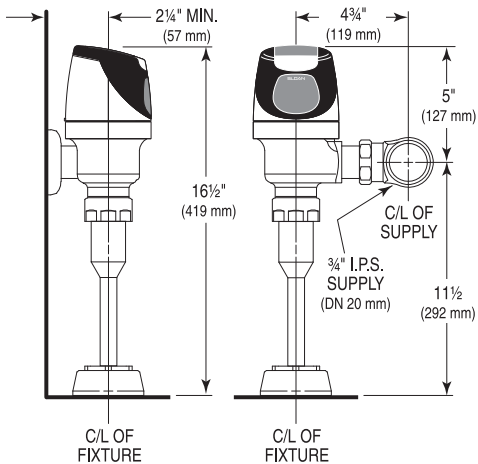


2. As the user enters the beam's effective range (15" to 30") the beam is reflected into the Sloan Solis® Scanner Window and transformed into a low voltage electrical circuit. Once activated, the Output Circuit continues in a "hold" mode for as long as the user remains within the effective range of the Sensor.



3. When the user steps away from the Sloan Solis® Sensor, the Sensor initiates an electrical signal that operates the Solenoid. This initiates the flushing cycle to flush the fixture. The Circuit then automatically resets and is ready for the next user.

Note: Lens Deflector no longer needed for targeting children or wheelchair users.



SLOAN VALVE COMPANY • 10500 SEYMOUR AVENUE • FRANKLIN PARK, IL 60131

Phone: 1-800-9-VALVE-9 or 1-847-671-4300 • Fax: 1-800-447-8329 or 1-847-671-4380 • www.sloanvalve.com