

# BRIZO®

## BATHROOM FAUCET

- Levoir® Bath Collection
- Single Handle Deck Mount

### STANDARD SPECIFICATIONS:

- Max flow rate 1.5 gpm @ 60 psi, 5.7 L/min @ 414 kPa
- Max flow rate (ECO models only) 1.2 gpm @ 60 psi, 4.5 L/min @ 414 kPa
- Single hole mount
- Solid brass fabricated body
- Control mechanism - 25 mm ceramic disc cartridge with metal stem
- Metal pop-up drain included
- Spout features hidden water-efficient, laminar flow aerator

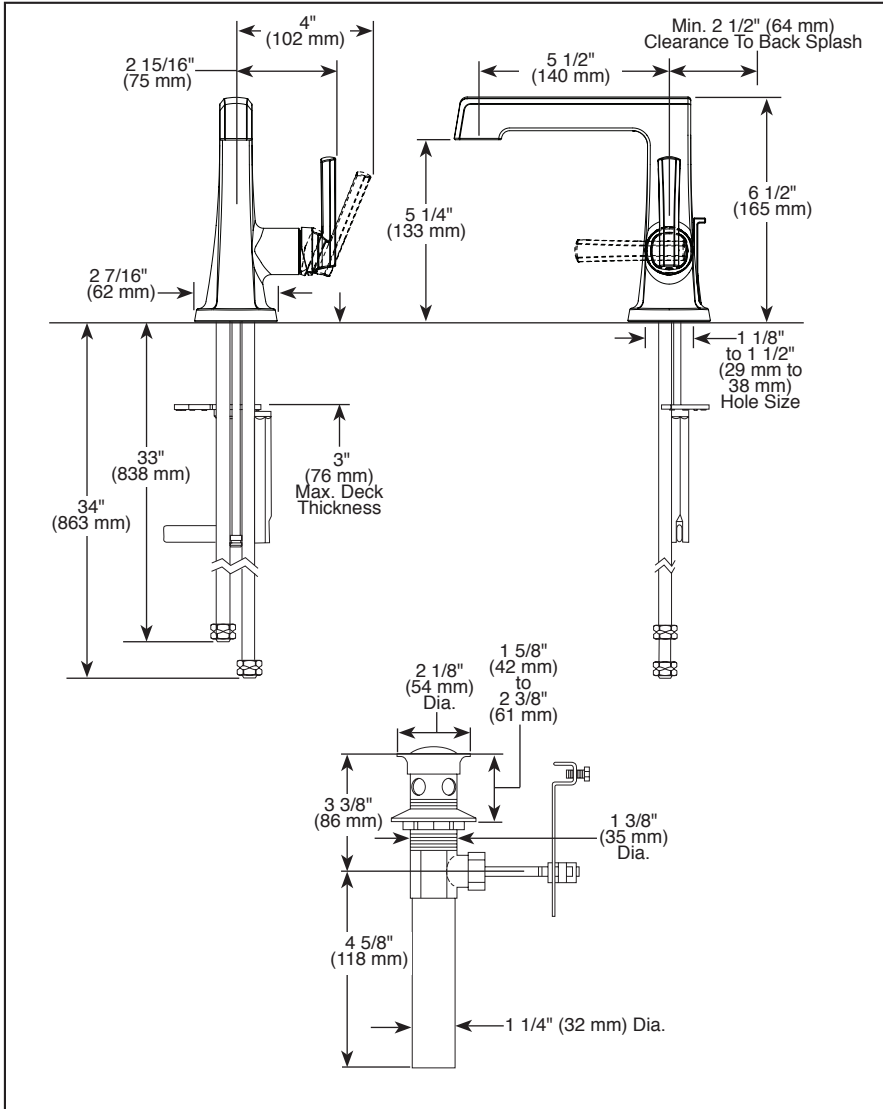
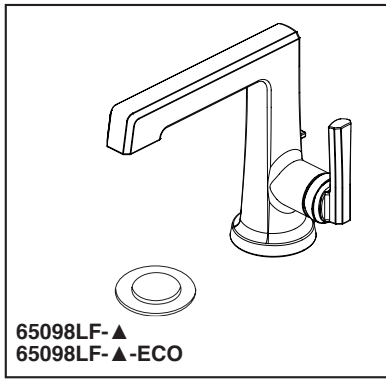
### WARRANTY

- Parts and Finish - Lifetime limited warranty; or for commercial purchasers, 10 years for multi-family residential (apartments and condominiums) and 5 years for all other commercial uses, in each case from the date the product is received by the original purchaser or their authorized representative (installation contractor, etc.).
- Electronic Parts and Batteries (if applicable) - 5 years from the date the product is received by the original purchaser or their authorized representative (installation contractor, etc.); or for commercial purchasers, 1 year from the date the product is received by the original purchaser or their authorized representative (installation contractor, etc.). No warranty is provided on batteries.
- Please go to [www.brizo.com](http://www.brizo.com) for the complete details of our limited warranty.



### COMPLIES WITH:

- ASME A112.18.1/ CSA B125.1
- ASME A112.18.2/ CSA B125.2
- EPA WaterSense®
- ♿ ICC/ANSI A117.1 - Valve control only



▲ Designate Proper Finish Suffix

Brizo Kitchen & Bath Company reserves the right (1) to make changes in specifications and materials, and (2) to change or discontinue models, both without notice or obligation. Dimensions are for reference only. See current full-line price book or [www.brizo.com](http://www.brizo.com) for finish options and product availability.

BSP-L-65098LF Rev. C

**Brizo Kitchen & Bath Company**

55 E. 111th Street, Carmel, IN 46280  
350 South Edgeware Road, St. Thomas, ON N5P 4L1  
© 2024 Brizo Kitchen & Bath Company