

BROAN[®]



RANGE HOODS BLOWERS ACCESSORIES



WHEN YOUR HOME BREATHES,



WHY INDOOR AIR QUALITY IS IMPORTANT TO YOU.

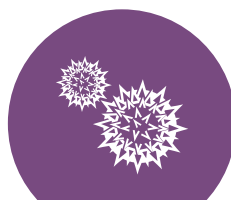
Consider this—according to the EPA (epa.gov), indoor air quality is five times worse than outdoor air quality. Most homeowners know that indoor air quality is important, but not all recognize what contributes to poor indoor air quality, the potential effects and harm, and how to address these problems. Broan is here to help. For more than 80 years, Broan has led the industry with residential ventilation solutions that improve indoor air quality and provide healthier home environments.

Moisture that is not properly ventilated can cause mildew and mold formation, which can potentially lead to structural problems and health problems. Exhaust ventilation solutions from Broan remove humidity at the source to help maintain the optimal humidity balance of 40 to 60 percent.

Off-gassing from construction materials, carpeting, adhesives and synthetic materials—as well as solvents from common household cleaners—can accumulate in tightly built homes. Look to Broan for continuous ventilation solutions that meet ASHRAE 62.2.

Particulates from dust, allergens, pet dander, and more can contribute to poor indoor air quality up to 100 times dirtier than outside air. With a properly ventilated home, you create a more enjoyable, comfortable and healthier environment.

Cooking effluents from food preparation can infiltrate the whole house in minutes. Grease, oils and aromas settle permanently into carpets, furniture, clothing and other surfaces. Kitchen ventilation solutions help eliminate cooking effluents for a cleaner, more comfortable and healthier environment.



YOU BREATHE EASIER TOO.

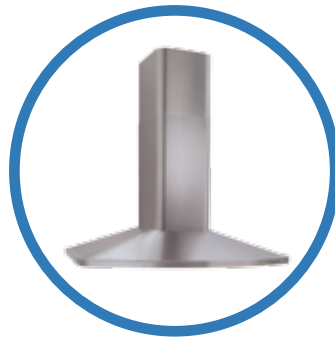
BROAN CAN IMPROVE INDOOR AIR QUALITY IN EVERY ROOM OF THE HOME.

From clearing humidity in the bathroom to removing heat, steam and airborne effluents in the kitchen. From whole-house HEPA air filtration and balanced fresh air exchange solutions to attic ventilation. From the family room to the master bedroom and in every room in between, no company knows residential and light commercial ventilation like Broan-NuTone. After more than 80 years, countless innovations and a commitment to indoor air quality, trust Broan to clear up every concern.



EXHAUST VENTILATION

removes excess moisture and odor from any room in the home, and can also provide continuous, whole-home ventilation.



KITCHEN VENTILATION

expels cooking effluents from food preparation to eliminate airborne pollutants from spreading through the entire house.



WHOLE-HOME BALANCED VENTILATION

efficiently exchanges inside air with fresh outside air, and removes airborne particulate with HEPA filtration.

DID YOU KNOW?*

Knowing the facts goes a long way toward a healthier indoor environment:

Just **46%** recognize not having a bathroom fan has a negative impact on indoor air quality—only 42% recognize that a lack of a range hood also has a negative impact.

60% have a fan in each bathroom but only one in five let it run for 10 minutes after showering.

Some homeowners don't recognize the causes of poor indoor air quality:

Only **42%** are concerned about moisture that causes mold or mildew.

Only **33%** know food aromas after preparation is an indicator of poor IAQ.

81% don't know that a foggy mirror means poor IAQ.

Most homeowners are tuned in to residential Indoor Air Quality concerns:

60% know that indoor air quality has a greater impact on their health than outdoor air quality.

90% realize poor indoor air quality contributes to certain health issues and that healthy air helps prevent illness.

- Choosing the Right Range Hood **6-7**
- Chimney Hoods **8-15**
- Downdrafts **16-17**
- Power Packs and Power Modules **18-21**
- ENERGY STAR Hoods **22-25**
- High Performance Hoods **26-33**
- Under Cabinet Hoods **34-46**
- Accessories/Make-up Air Dampers **47-49**
- Blowers/Installation Guidelines **50-51**
- Specifications **52-55**

BROAN[®]

Why kitchens need

Fresh salmon fillets are reason enough. But that's really just a start. Because cooking smoke and greasy build-up are more than unpleasant. They're unhealthy. In fact, cooking churns out airborne contaminants like nothing else in the home can. This concentration of contaminants requires effective ventilation. That's where Broan comes in.

As the residential ventilation leader, Broan offers more range hood kitchen ventilating solutions than anyone. From high-performance ducted models, to the most effective non-ducted units ever made. And they're all built to Broan's demanding quality standards. So you can count on Broan range hoods to help keep your kitchen cleaner for years to come. And, built-in lighting keeps your kitchen brighter. Some units even include a convenient nightlight feature.

There really is a difference with Broan. It's in the details.

BROAN *Elite*

Broan® Elite (Rangemaster®), our premier range hoods, offer high performance and unique style to define your kitchen. See pages 8–19, and 26–32.

ventilation.



Problem. Your over-the-range microwave doesn't effectively capture smoke and odors. Your children can't reach it without climbing on the counter, not to mention trying to use it while someone else is cooking.

Solution. Improve the ventilation in your kitchen by replacing your over-the-range microwave with a handsome Broan range hood. Move your microwave to a shelf next to the refrigerator and improve not only the safety of your kitchen, but its efficiency as well.

How do you cook?

What do you expect your range hood to do?

Broan has styles and accessories to

Chimney and High Performance Hoods

Do you have an open concept kitchen?

Consider a chimney style range hood. Distinguish your kitchen with a centerpiece that provides function and high style. Be sure your blower matches the BTU output of your range.



Looking for convenience in a high performance range hood?

Under cabinet range hoods provide homeowners with high style and modern convenience. Sleek designs fit snugly under cabinets and stainless steel bottoms make cleaning easy. Be sure your blower matches the BTU output of your range.



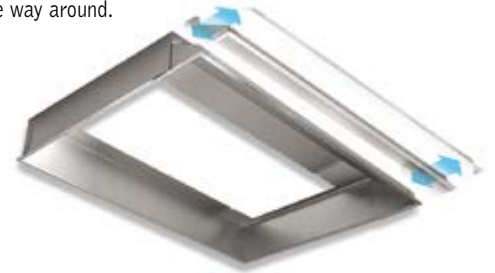
Power Packs

Thinking of designing custom cabinetry?

Power packs allow you to conceal your range hood under a cabinet for a clean look. Insert a power pack and achieve all the benefits of a Broan range hood.



Protect your cabinetry with custom liners. They protect your cabinetry from steam and grease while providing a custom fit all the way around.



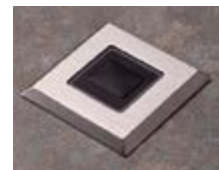
Downdrafts

Looking for a range hood that's there when you need it and hidden when you don't?

Downdraft range hoods are perfect for island or peninsula installations. You receive the right amount of ventilation literally at the push of a button.



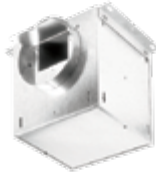
An optional remote control button puts you in charge from anywhere in the kitchen.



suit every need.

Select an In-Line or Exterior blower.*

If desired, choose an In-Line or Exterior blower option. Exterior blowers can be roof- or wall-mounted, depending on your appearance preferences, or to best suit your ducting requirements. In-Line blowers perform quietly and mount in the attic space.



In-Line



Exterior

Do you have tall ceilings and a chimney hood?

You'll need a flue extension if your ceiling height is greater than 9'. Flue extensions are matched to the shape, style and color of the range hood you select. Extensions for ceiling heights over 10' feet have a 14-week lead time.



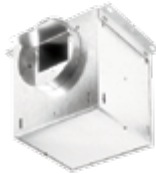
Going for a professional or decorator look?

Consider adding stainless steel baffle filters, warming racks or a backsplash. These durable accessories are functional and easy to clean.



Select an In-Line or Exterior blower.*

If desired, choose an In-Line or Exterior blower option. Exterior blowers can be roof- or wall-mounted, depending on your appearance preferences, or to best suit your ducting requirements. In-Line blowers perform quietly and mount in the attic space.



In-Line



Exterior

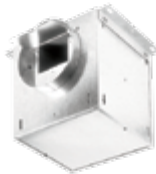
Replacement and odor absorbing filters.

Recirculate fresh filtered air back into the kitchen. They are made from the highest quality materials to provide the longest life possible.



Select an In-Line or Exterior blower.*

If desired, choose an In-Line or Exterior blower option. Exterior blowers can be roof- or wall-mounted, depending on your appearance preferences, or to best suit your ducting requirements. In-Line blowers perform quietly and mount in a remote location.



In-Line



Exterior

Equalized Air Pressure For A Well-Balanced Home (and budget).

Providing make-up air for exhaust devices is easy, controlling it is not—until now. Broan® Automatic Make-Up Air Dampers are the first to provide synchronized operation for kitchen, bath and whole house ventilation products. Installation is simple and requires no special wiring. The intelligent design options ensure optimum performance in a variety of installations and applications. Highly effective and affordable, Broan Automatic Make-Up Air Dampers strike the perfect balance to keep you and your home breathing easy.



* Broan blowers are designed and UL Listed or recognized for use with Broan products only.

BROAN® *Elite*

The design says professional.
The details say perfection.

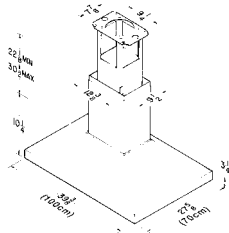
Sophisticated tastes deserve sophisticated styling. That's why we created the Broan Elite Series. These range hoods are unique works of art that flawlessly blend style, power and durability. Choosing between them won't be easy. One thing, however, is certain: you're sure to be completely satisfied with the combination of style and power you select. Our commercial-style range hoods feature serious ventilating performance for the serious home chef. They're specifically designed for use with high BTU, commercial-style ranges. They also accommodate the high-capacity demands of residential woks and cooktop grills. And, since true satisfaction and exquisite taste go hand-in-hand, we offer an extensive selection and a wide array of options and colors.

Broan Elite 63000/63000EX (Island)

Rangemaster

Perfection—any way you look at it. This free-hanging island hood will draw the eye from every vantage point.

- Enduring style, stainless steel construction.
- Seamless corners for easy cleaning.
- Concealed three-speed control.
- Heat Sentry™ detects excessive heat and adjusts blower speed to high automatically.
- 27⁵/₈" x 39³/₈" (70 cm x 100 cm) size.
- Superior lighting from four 20-watt Halogen lamps included (one level).
- The 63000EX models are designed to operate with Broan Elite External blowers, providing a choice of four Exterior models: 600, 900, 1200 or 1500 CFM or four In-Line models: 280, 600, 800 or 1100 CFM.
- Telescopic flue fits 8' to 9' ceilings.
- Easily removable, dishwasher-safe stainless steel grease filter.



Range Hood Specifications

| WIDTH | STAINLESS STEEL | BLOWER | VOLTS | AMPS | CFM | SONES | DUCT | Optional Accessories | |
|---|-----------------|-----------|-------|-------|-----|-------|-------|----------------------|--------------------|
| | | | | | | | | FLUE EXTENSION* | MAKE-UP AIR DAMPER |
| 27 ⁵ / ₈ " x 39 ³ / ₈ " (70 x 100cm) | 637004 | Internal | 120 | 5.5 | 900 | 9.5 | 8" RD | RFX6304EX | MD6TU, MD8TU |
| | 637004EX | External† | 120 | 0.8** | † | | 8" RD | RFX6304EX | MD6TU, MD8TU |

† External and In-Line blowers sold separately.

* Optional flue extension for 10' ceilings.

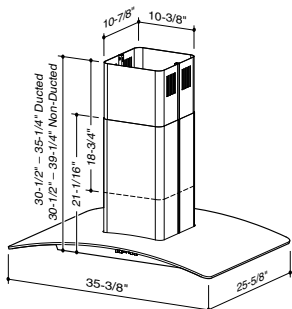
** Hood amps without blower. For total system amps, combine hood with external blower amps.



Broan Elite EI59 (Island)

Beautiful contemporary European glass island design. The curved glass canopy provides a stunning focal point without blocking the view of your surroundings.

- Contemporary Italian Glass Canopy design.
- Available in brushed stainless steel.
- 35-3/8" x 25-5/8" dimension.
- Powerful 500 CFM internal blower.
- Bright quad halogen lighting; 3-intensity settings (lamps included).
- 3-Speed electronic push button control with blue speed selection indication.
- Control features include Delay-off and Filter clean reminder.
- Optional Remote Control Operation—BCR1.
- Quick release aluminum mesh filters.
- Designed to work with Broan Automatic Make-up air dampers.
- Heat Sentry™ detects excessive heat and adjusts blower speed automatically.
- Telescopic flue accommodates ceiling heights 8' to 9'; custom lengths upon demand.



An optional remote control with magnetic base enables operation of blower speed, lighting and delay-off feature from across the room.

Range Hood Specifications

| WIDTH | STAINLESS STEEL | BLOWER | VOLTS | AMPS | CFM | SONES | DUCT |
|-------------------|-----------------|----------|-------|------|---------|----------|-------|
| 35-3/8" x 25-5/8" | EI5936SS | Internal | 120 | 3.55 | 500/200 | 10.5/2.5 | 6" RD |



Optional Accessories

| FLUE EXTENSION* | NON-DUCTED KIT** | NON-DUCTED FILTER | REMOTE CONTROL | MAKE-UP AIR DAMPER |
|-----------------|------------------|-------------------|----------------|--------------------|
| FXNE59SS | RKE59 | FILTERE56 | BCR1 | MD6T, MD8T |

* Optional flue extension for either ducted or non-ducted 9' to 10' ceilings.

** Includes non-ducted filter & flex duct



Make-Up Air Damper Model MD6T, MD8T



Broan Elite E54000 (Island)

Elegant symmetry from every angle. Graceful curves and a low-profile design make this island hood at home in any décor.

- Brushed stainless steel finish.
- 35 $\frac{7}{16}$ " x 27 $\frac{9}{16}$ " dimension.
- Multi-speed slide control.
- Four 20-watt halogen lamps included (one level).
- Dishwasher-safe aluminum filters.
- Telescopic flue accommodates 8' to 9' ceilings—flue extension available for ducted and non-ducted applications.*
- Internal blower delivers 480 CFM (<300 CFM with ARP6).
- Non-ducted kit for indoor recirculation (purchase separately).
- Heat Sentry™ detects excessive heat and adjusts blower speed to high automatically.

Range Hood Specifications

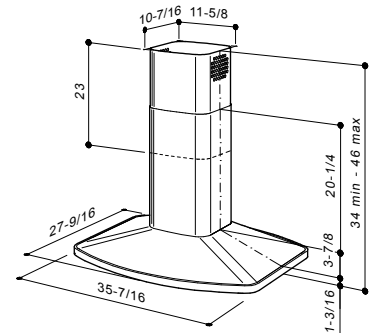
| WIDTH | STAINLESS STEEL | VOLTS | AMPS | CFM High/Low | SONES High/Low | DUCT |
|---|-----------------|-------|------|--------------|----------------|-------|
| 35 $\frac{7}{16}$ " x 27 $\frac{9}{16}$ " | E5490SS | 120 | 3.56 | 480/230** | 9.5/3.0 | 6" RD |

** 299 CFM max with ARP6 reducer plate option.

Optional Accessories

| FLUE EXTENSION | NON-DUCTED FLUE EXTENSION | NON-DUCTED KIT* | NON-DUCTED FILTER | MAKE-UP AIR DAMPER |
|----------------|---------------------------|-----------------|-------------------|--------------------|
| FX54SS | FXN54SS | RK54 | FILTERSQUARE | MD6TU, MD8TU |

* Includes non-ducted filter.



Broan Elite 61000/61000EX

A flawless look. A lasting impression.

- Seamless corners for easy cleaning.
- Concealed three-speed slide control (EX models have variable speed control).
- Heat Sentry™ detects excessive heat and adjusts blower speed to high automatically.
- The 61000EX models are designed to operate with the Broan Elite External blowers, providing a choice of four Exterior models: 600, 900, 1200 or 1500 CFM, or four In-Line models: 280, 600, 800 or 1100 CFM.
- <300 CFM with optional ARP6
- Two 20-watt (four in 48") halogen lamps included (one level).
- Available in 30", 35 $\frac{7}{16}$ " (90 cm) or 48" sizes.
- Ducted/non-ducted telescopic flues fit 8' to 9' ceilings.
- Convertible to ducted or non-ducted operation.** (excludes 48" model)
- Easily removable, dishwasher-safe, stainless steel grease filters.
- Optional ducted flue extension for up to 10' ceilings.

NOTE: Units using flue extensions are for ducted applications only.

Range Hood Specifications

| WIDTH | STAINLESS STEEL | BLOWER | VOLTS | AMPS | CFM | SONES | DUCT CONNECTION | FLUE EXTENSION* | NON-DUCTED FILTER | MAKE-UP AIR DAMPER |
|---------------------|-----------------|-----------------------|-------|--------|------------------|-------|-----------------|-----------------|-------------------|--------------------|
| 30" | 613004 | Internal | 120 | 3.1 | 450 [†] | 9.0 | 6" RD | RFX6104 | ROUNDFILTER | MD6TU, MD8TU |
| 35 $\frac{7}{16}$ " | 619004 | Internal | 120 | 3.1 | 450 [†] | 9.0 | 6" RD | RFX6104 | ROUNDFILTER | MD6TU, MD8TU |
| 48" | 614804 | Internal | 120 | 6.3 | 900 | 9.5 | 8" RD | RFX6104EX | | MD6TU, MD8TU |
| 35 $\frac{7}{16}$ " | 619004EX | External [†] | 120 | 0.5*** | † | | 8" RD | RFX6104EX | | MD6TU, MD8TU |
| 48" | 614804EX | External [†] | 120 | 0.8*** | † | | 8" RD | RFX6104EX | | MD6TU, MD8TU |

* Optional ducted flue extension for 10' ceilings.

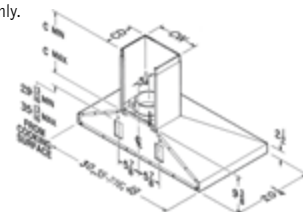
** Requires a non-ducted filter kit, purchase separately. Round filter or SB0899736.

*** Hood amps w/o blower, for total system amps, combine hood w/ External blower amps.

[†] External blowers sold separately.

[†] 299 CFM max with ARP6 reducer plate option.

| | C MIN | C MAX | CD | CW |
|----------|--------------------|--------------------|--------------------|--------------------|
| 613004 | 25 $\frac{5}{8}$ " | 45 $\frac{1}{2}$ " | 6 $\frac{5}{8}$ " | 9 $\frac{3}{4}$ " |
| 619004 | 25 $\frac{5}{8}$ " | 45 $\frac{1}{2}$ " | 6 $\frac{5}{8}$ " | 9 $\frac{3}{4}$ " |
| 619004EX | 22" | 37" | 10 $\frac{3}{8}$ " | 12 $\frac{3}{4}$ " |
| 614804 | 22" | 37" | 10 $\frac{3}{8}$ " | 12 $\frac{3}{4}$ " |
| 614804EX | 22" | 37" | 10 $\frac{3}{8}$ " | 12 $\frac{3}{4}$ " |

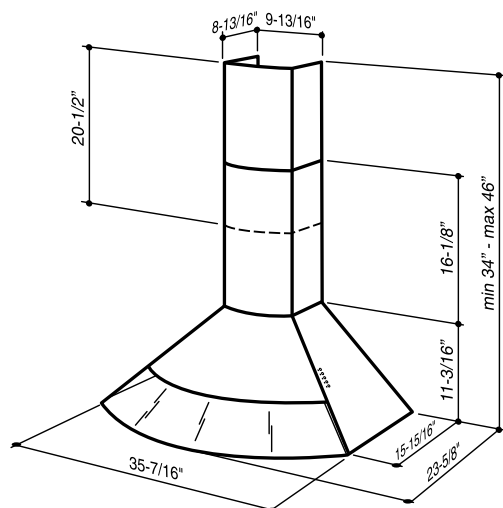




Broan Elite RM6500

Sensational high-design appearance.

This delightful, hand-crafted design blends curved and angular surfaces to form a stunning union of stainless steel and glass.



- Multi-speed, electronic push-button control features stylish, rounded buttons with individual speed indicators.
- Delay timer automatically shuts off unit after 10 minutes.
- Control light flashes when it's time to clean the filter.
- Heat Sentry™ detects excessive heat and adjusts blower speed to high automatically.
- Two-level lighting provides bright cooktop illumination and a low nighttime setting.
- Two 20-watt halogen lamps included.
- Dishwasher-safe aluminum filters feature a quick-release latch and professional-style appearance.
- Ducted telescopic flue accommodates ceiling heights from 8 to 9 feet. Extension flues for higher ceilings are also available for ducted applications.
- Install hood so that the bottom of the unit is 24 to 30 inches above the cooking surface. Mounting height is determined by ceiling height.

Range Hood Specifications

| Range Hood Specifications | | | | | | | Optional Accessories | |
|---------------------------|-----------------|-------|------|-------|-------|-------|----------------------|--------------------|
| WIDTH | STAINLESS STEEL | VOLTS | AMPS | CFM | SONES | DUCT | FLUE EXTENSION* | MAKE-UP AIR DAMPER |
| 35-7/16" | RM659004 | 120 | 3.1 | 450** | 9.0 | 6" RD | RFX6504 | MD6TU, MD8TU |

* Optional flue extension for 10' ceilings.

** 299 CFM max with ARP6 reducer plate option.





Broan Elite EW58

Inspiring traditional European design.
This wonderful design is executed to meet today's needs so that everyone can achieve their dream.



Make-Up Air
Damper
Models MD6T,
MD8T



Model BCR1

An optional remote control with magnetic base enables operation of blower speed, lighting and delay-off feature from across the room.



Broan Elite EW56

Elegant European curved glass design that is both beautiful and functional.
The airy design is a stunning focal point that complements its surrounding perfectly.



Make-Up Air
Damper
Models MD6T,
MD8T



Model BCR1

An optional remote control with magnetic base enables operation of blower speed, lighting and delay-off feature from across the room.



Broan Elite RM53000

Rangemaster

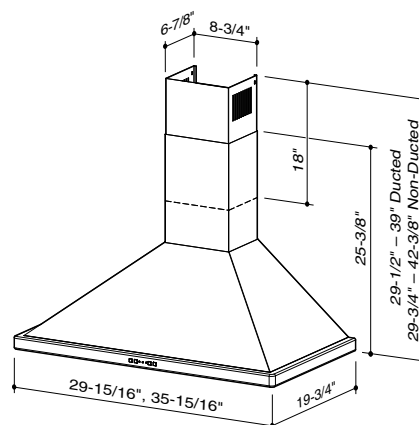
Contemporary lines for a one-of-a-kind kitchen.
Clean lines complement the contemporary kitchen or boldly contrast the flowing styles of more traditional settings.



Make-Up Air
Damper
Models MD6TU,
MD8TU

- Traditional Italian design with high-performance features.
- Available in brushed stainless steel.
- Two widths 30" & 36"; in a 19-3/4" depth.
- Powerful 500 CFM internal blower.
- Bright dual halogen lighting; 3-intensity settings (lamps included).
- 3-Speed electronic push button control with blue speed selection indication.
- Control features include Delay-off and Filter clean reminder.
- Optional Remote Control Operation—BCR1.

- Quick release aluminum mesh filters.
- Designed to work with Broan Automatic Make-up air dampers.
- Heat Sentry™ detects excessive heat and adjusts blower speed automatically.
- Telescopic flue accommodates ceiling heights 8' to 9'; custom lengths upon demand.



Range Hood Specifications

| WIDTH | STAINLESS STEEL | BLOWER | VOLTS | AMPS | CFM | SONES | DUCT |
|-------|-----------------|----------|-------|------|---------|----------|-------|
| 30" | EW5830SS | Internal | 120 | 3.05 | 500/200 | 10.5/2.5 | 6" RD |
| 36" | EW5836SS | Internal | 120 | 3.05 | 500/200 | 10.5/2.5 | 6" RD |

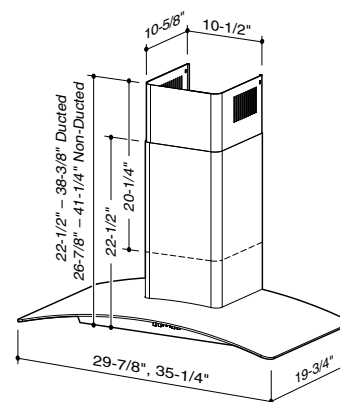
Optional Accessories

| FLUE EXTENSION* | NON-DUCTED KIT** | NON-DUCTED FILTER | REMOTE CONTROL | MAKE-UP AIR DAMPER |
|-----------------|------------------|-------------------|----------------|--------------------|
| FXNE58SS | RKE58 | FILTERE56 | BCR1 | MD6T, MD8T |
| FXNE58SS | RKE58 | FILTERE56 | BCR1 | MD6T, MD8T |

* Optional flue extension for 10' ceilings.
 * Optional flue extension for either ducted or non-ducted 9 to 10' ceilings.
 ** Includes non-ducted filter & flex duct.

- Contemporary Italian Glass Canopy design.
- Available in brushed stainless steel.
- Two widths 30" & 35-7/16"; in a 19-3/4" depth.
- Powerful 500 CFM internal blower.
- Bright dual halogen lighting; 3-intensity settings (lamps included).
- 3-Speed electronic push button control with blue speed selection indication.
- Control features include Delay-off and Filter clean reminder.
- Optional Remote Control Operation—BCR1.

- Quick release aluminum mesh filters.
- Designed to work with Broan Automatic Make-up air dampers.
- Heat Sentry™ detects excessive heat and adjusts blower speed automatically.
- Telescopic flue accommodates ceiling heights 8' to 9'; custom lengths upon demand.



Range Hood Specifications

| WIDTH | STAINLESS STEEL | BLOWER | VOLTS | AMPS | CFM | SONES | DUCT |
|----------|-----------------|----------|-------|------|---------|----------|-------|
| 30" | EW5630SS | Internal | 120 | 2.88 | 500/200 | 10.5/2.5 | 6" RD |
| 35-7/16" | EW5636SS | Internal | 120 | 2.88 | 500/200 | 10.5/2.5 | 6" RD |

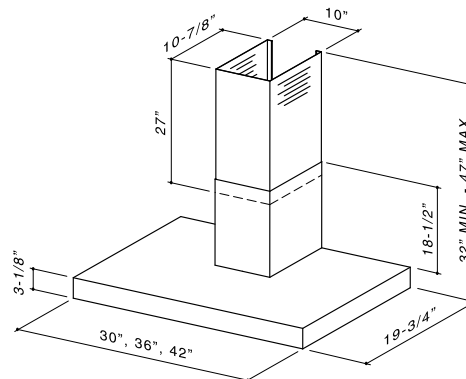
Optional Accessories

| FLUE EXTENSION* | NON-DUCTED KIT** | NON-DUCTED FILTER | REMOTE CONTROL | MAKE-UP AIR DAMPER |
|-----------------|------------------|-------------------|----------------|--------------------|
| FXNE56SS | RKE56 | FILTERE56FL | BCR1 | MD6T, MD8T |
| FXNE56SS | RKE56 | FILTERE56FL | BCR1 | MD6T, MD8T |

* Optional flue extension for 10' ceilings.
 * Optional flue extension for either ducted or non-ducted 9 to 10' ceilings.
 ** Includes non-ducted filter & flex duct.

- Multi-speed slide control.
- 370 CFM internal blower (<300 CFM with ARP6).
- Heat Sentry™ detects excessive heat and adjusts blower speed to high automatically.
- Two 25 watt halogen lamps included (one level).
- Dishwasher-safe aluminum filters feature a quick-release latch and professional-style appearance.
- Ducted/non-ducted telescopic flue accommodates ceiling heights from

- 8 to 9 feet. Flue extensions for higher ceilings are also available for ducted and non-ducted applications.*
- Requires separate purchase of a non-ducted kit (RRK51) for indoor exhaust recirculation.
- Install hood so that the bottom of the unit is 24 to 30 inches above the cooking surface. Mounting height is determined by ceiling height.



Range Hood Specifications

| WIDTH | STAINLESS STEEL | VOLTS | AMPS | CFM | SONES | DUCT |
|-------|-----------------|-------|------|------|-------|-------|
| 30" | RM533004 | 120 | 2.6 | 370* | 7.0 | 6" RD |
| 36" | RM533604 | 120 | 2.6 | 370* | 7.0 | 6" RD |
| 42" | RM534204 | 120 | 2.6 | 370* | 7.0 | 6" RD |

Optional Accessories

| FLUE EXTENSION* | NON-DUCTED FLUE EXTENSION* | NON-DUCTED KIT** | NON-DUCTED FILTER | MAKE-UP AIR DAMPER |
|-----------------|----------------------------|------------------|-------------------|--------------------|
| RFX5304 | RFXN5304 | RRK51 | FILTERSQUARE | MD6TU, MD8TU |
| RFX5304 | RFXN5304 | RRK51 | FILTERSQUARE | MD6TU, MD8TU |
| RFX5304 | RFXN5304 | RRK51 | FILTERSQUARE | MD6TU, MD8TU |

* Optional flue extension for 10' ceilings.
 ** Includes non-ducted filter.
 + 299 CFM max with ARP6 reducer plate option.



Broan Elite RM52000

Rangemaster

A sleek look that's simply elegant.

Combines graceful curves and traditional European styling.



Broan Elite RM51000

Rangemaster

Hand-rolled. European craftsmanship.

Sleek, graceful curves engineered to meet the requirements of today's appliances and kitchens.



Broan Elite RM50000

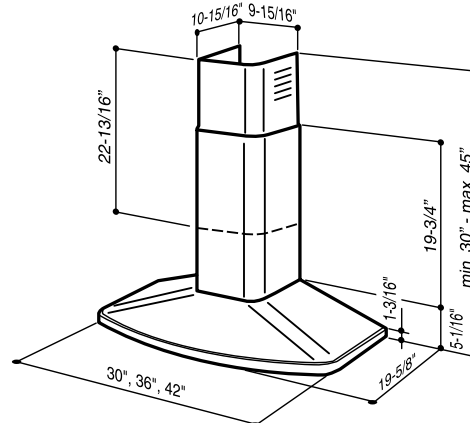
Rangemaster

Beautiful, yet attainable.

European design with tremendous value to meet the requirements of today's conventional appliance and kitchen styles.

- Multi-speed slide control.
- 370 CFM internal blower (<300 CFM with ARP6).
- Heat Sentry™ detects excessive heat and adjusts blower speed to high automatically.
- Two 20-watt halogen lamps included (one level).
- Dishwasher-safe aluminum filters feature a quick-release latch and professional-style appearance.
- Ducted/non-ducted telescopic flue accommodates ceiling heights from 8 to 9 feet. Extension flues for

- higher ceilings are also available for ducted and non-ducted applications.*
- Requires separate purchase of a non-ducted kit (RRK51) for indoor exhaust recirculation.
- Install hood so that the bottom of the unit is 24 to 30 inches above the cooking surface. Mounting height is determined by ceiling height.



Range Hood Specifications

| WIDTH | STAINLESS STEEL | VOLTS | AMPS | CFM | SONES | DUCT |
|-------|-----------------|-------|------|-------|-------|-------|
| 30" | RM523004 | 120 | 2.6 | 370** | 7.0 | 6" RD |
| 36" | RM523604 | 120 | 2.6 | 370** | 7.0 | 6" RD |
| 42" | RM524204 | 120 | 2.6 | 370** | 7.0 | 6" RD |

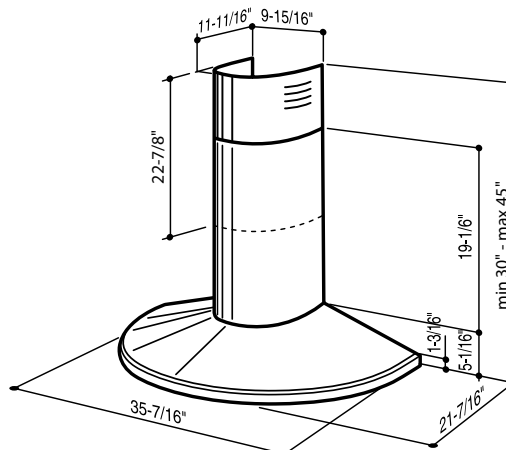
Optional Accessories

| FLUE EXTENSION* | NON-DUCTED FLUE EXTENSION | NON-DUCTED KIT+ | NON-DUCTED FILTER | MAKE-UP AIR DAMPER |
|-----------------|---------------------------|-----------------|-------------------|--------------------|
| RFX5204 | RFXN5204 | RRK51 | FILTERSQUARE | MD6TU, MD8TU |
| RFX5204 | RFXN5204 | RRK51 | FILTERSQUARE | MD6TU, MD8TU |
| RFX5204 | RFXN5204 | RRK51 | FILTERSQUARE | MD6TU, MD8TU |

* Optional flue extension for 10' ceilings.
 ** 299 CFM max with ARP6 reducer plate option.
 + Includes non-ducted filter.

- Multi-speed slide control.
- 370 CFM internal blower (<300 CFM with ARP6).
- Heat Sentry™ detects excessive heat and adjusts blower speed to high automatically.
- Two 20-watt halogen lamps included (one level).
- Dishwasher-safe aluminum filters feature a quick-release latch and professional-style appearance.
- Ducted/non-ducted telescopic flue accommodates ceiling heights from 8 to 9 feet. Extension flues for

- higher ceilings are also available for ducted applications.*
- Requires separate purchase of a non-ducted kit (RRK51) for indoor exhaust recirculation.
- Install hood so that the bottom of the unit is 24 to 30 inches above the cooking surface. Mounting height is determined by ceiling height.



Range Hood Specifications

| WIDTH | STAINLESS STEEL | VOLTS | AMPS | CFM | SONES | DUCT |
|----------|-----------------|-------|------|-------|-------|-------|
| 35 7/16" | RM519004 | 120 | 2.6 | 370** | 7.0 | 6" RD |

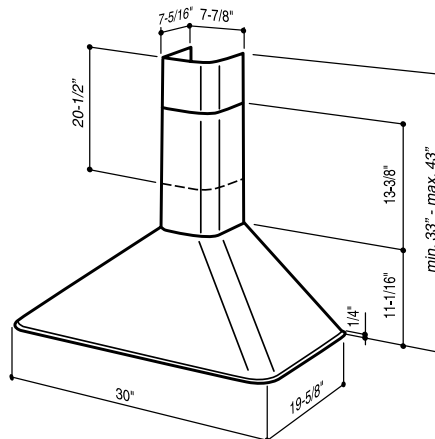
Optional Accessories

| FLUE EXTENSION* | NON-DUCTED KIT+ | NON-DUCTED FILTER | MAKE-UP AIR DAMPER |
|-----------------|-----------------|-------------------|--------------------|
| RFX5104 | RRK51 | FILTERSQUARE | MD6TU, MD8TU |

* Optional flue extension for 10' ceilings.
 ** 299 CFM max with ARP6 reducer plate option.
 + Includes non-ducted filter.

- Multi-speed slide control and integrated dual light assembly.
- 290 CFM internal blower.
- Heat Sentry™ detects excessive heat and adjusts blower speed to high automatically.
- Dual 40-watt incandescent lamps included (one level).
- Dishwasher-safe aluminum filter features a quick-release latch and professional style appearance.
- Includes non-ducted kit and charcoal filter for indoor exhaust recirculation.
- Ducted/non-ducted telescopic

- flue accommodates ceiling heights from 8 to 9 feet. Extension flues for higher ceilings are also available.*
- Non-ducted flue extensions available in stainless steel only.†
- Install hood so that the bottom of the unit is 24 to 30 inches above the cooking surface. Mounting height is determined by ceiling height.
- ENERGY STAR® version on pg 20–21



Range Hood Specifications

| WIDTH | STAINLESS STEEL | WHITE | BLACK | VOLTS | AMPS | CFM | SONES | DUCT |
|----------|-----------------|----------|----------|-------|------|-----|-------|-------|
| 30" | RM503004 | RM503001 | RM503023 | 120 | 2.9 | 290 | 6.5 | 6" RD |
| 35 7/16" | RM503604 | RM503601 | RM503623 | 120 | 2.9 | 290 | 6.5 | 6" RD |

Optional Accessories

| FLUE EXTENSION* | | | †NON-DUCTED FLUE EXTENSION AVAILABLE IN STAINLESS STEEL ONLY | NON-DUCTED FILTER |
|-----------------|---------|---------|--|-------------------|
| STAINLESS STEEL | WHITE | BLACK | | |
| RFX5004 | RFX5001 | RFX5023 | RFXN5004 | FILTEREB40 |
| RFX5004 | RFX5001 | RFX5023 | RFXN5004 | FILTEREB40 |

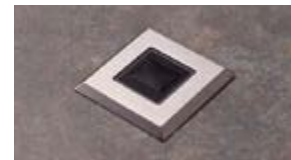
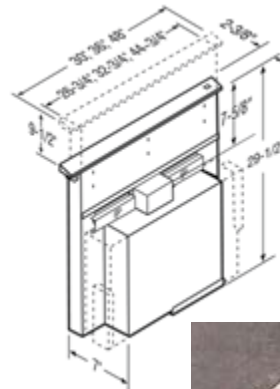
* Optional flue extension for 10' ceilings.
 † Includes non-ducted filter.



Broan Elite RMDD Downdraft System Rangemaster

Ready where and when you need it. Rises to new heights to meet the needs of high-end commercial style cooking.

- Compact design is installed directly behind the cooktop for an unobtrusive appearance. Thin profile saves precious space under the cabinet.
- Chimney rises over 9½" when activated, ideal for large pots and pans.
- Infinitely adjustable control is designed to provide convenient access to govern the blower speed for effective and quiet operation.
- Optional remote control will activate downdraft from an alternate location.
- Heat Sentry™ detects excessive heat and adjusts blower speed to high automatically.
- Dishwasher-safe filters are easy to remove and feature a stylish brushed stainless steel appearance for a professional look.
- These units are not for installations behind ovens.
- Internal 500 CFM centrifugal blower (<300 CFM with ARP310) or choice of eight External blower options: four Exterior blowers from 600 to 1500 CFM, or four In-Line blowers from 280 to 1100 CFM. See page 50.
- Unique ducting capability allows the internal or remote blower connection to be ducted to the left, right or downward.



RMDDRBK Remote Control
Optional remote control will activate downdraft from an alternate location.

Range Hood Specifications

| WIDTH | BLOWER | | Optional Accessories | |
|-------|----------|------------|----------------------|--------------------|
| | INTERNAL | EXTERNAL† | REMOTE BUTTON KIT | MAKE-UP AIR DAMPER |
| 30" | RMDD3004 | RMDD3004EX | RMDDRBK | MD6TU, MD8TU |
| 36" | RMDD3604 | RMDD3604EX | RMDDRBK | MD6TU, MD8TU |
| 48" | RMDD4804 | RMDD4804EX | RMDDRBK | MD6TU, MD8TU |

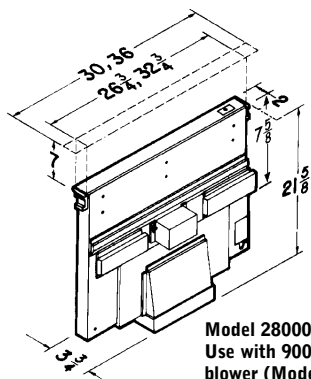
† External and In-Line blowers sold separately.



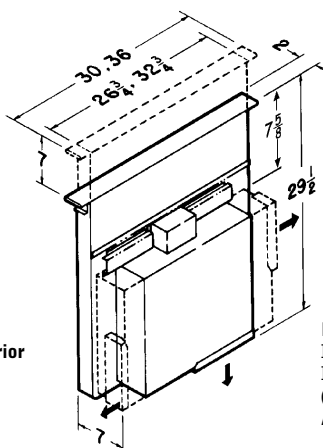
System Specifications

| BLOWER | VOLTS | AMPS | CFM | DUCT |
|-----------|-------|------|------|-----------|
| INTERNAL | 120 | 4 | 500* | 3¼" x 10" |
| EXTERNAL† | 120 | 6 | — | 3¼" x 14" |

* 299 CFM max with ARP310 reducer plate option.



Model 28000
Use with 900 CFM Exterior blower (Model 332H) or In-Line blower.



Model 27000
Includes 500 CFM Internal blower (<300 CFM with ARP310).

Broan 27000/28000 Series Eclipse

Convenient options help assure a custom fit. For the unique demands of cooktops in islands and peninsulas.

- Innovative downdraft system is compatible with virtually all self-contained cooktops.
- Sleek, trim styling complements any cooktop style or color.
- Automatically raises into position with the touch of a button. Disappears flush with cooktop surface.
- Space-saving design lets you make the most of precious, under-counter cabinet space.
- Infinitely adjustable speed control is flush with the side of the unit; inconspicuous, yet easy to reach and simple to use.
- Model 27000 Blower discharges right, left or down and slides side-to-side to ease installation.
- These units are not for installations behind ovens.

Range Hood Specifications**

| TO FIT NOMINAL COOKTOP SIZE | MODEL | DESCRIPTION | COVER COLOR* |
|-----------------------------|---------|-----------------------|-----------------|
| 30" | 273003 | Internal Blower Unit | Stainless Steel |
| 36" | 273603 | Internal Blower Unit | Stainless Steel |
| 30" | 283003 | External Blower Unit* | Stainless Steel |
| 36" | 283603 | External Blower Unit* | Stainless Steel |
| 30" | 273001C | Optional Cover | White |
| 36" | 273601C | Optional Cover | White |
| 30" | 273002C | Optional Cover | Bisque/Biscuit |
| 36" | 273602C | Optional Cover | Bisque/Biscuit |
| 30" | 273023C | Optional Cover | Black |
| 36" | 273623C | Optional Cover | Black |



| MODEL | VOLTS | AMPS | CFM | DUCT |
|-------|-------|---------|------|------------|
| 27000 | 120 | 4 | 500† | 3¼" x 10" |
| 28000 | 120 | 6.0 max | * | 3¼" x 10"† |

† 299 CFM max with ARP310 reducer plate option.

* External unit utilizes model 332H Exterior-mounted blower. In-Line blower sold separately.

** Cooktops, countertops and cabinets vary in dimension and support systems depending upon manufacturer. These factors may impact the Eclipse's ability to fit with every worktop/cabinet combination. Specifications subject to change without notice.

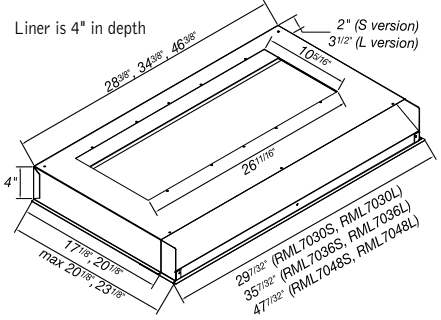
† The model 28000 requires transitioning from 3¼" x 10" to 10" round for connection to the External blower.

* Stainless Steel cover standard. White, Bisque or Black optional.

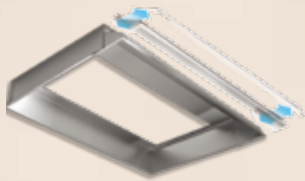


Broan Elite Custom Power Pack RMP1/RMPE

The Broan Elite Custom Power Pack is designed to fit flush with the bottom of a cabinet or custom hood that's 30" to 48" wide. The 400 CFM centrifugal blower is combined with a multi-speed control to provide quiet, effective performance. Halogen lighting complements the beauty of a fully enclosed bottom containing dishwasher-safe filters.



RML7030S/RML7030L
RML7036S/RML7036L
RML7048S/RML7048L
 For RMP17004 and RMPE7004 Packs



Liners for RMP1/RMPE Power Pack

Broan Elite Liners provide a beautiful way to finish your custom hood and protect your cabinetry. Designed to work with Broan Elite Pro-Insert and Power Packs, liners feature a 3" adjustable nose to provide application flexibility, and a 4" depth for excellent capture.

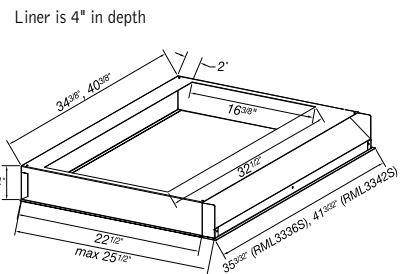
- Brushed stainless steel finish.
- Liners protect custom hoods and are available for 30", 36" and 48" widths.
- Two versions for maximum flexibility in depth adjustment: "S" version adjusts 17 7/8" – 20 7/8". "L" version adjusts 20 7/8" – 23 7/8".
- Liners are based on the outside width of the custom hood.



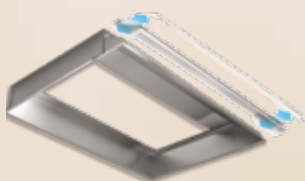
Shown with optional baffle filters.

Broan Elite RMIP Pro-Style Insert

The Broan Elite RMIP Pro-Style Insert fits flush with the bottom of the cabinet or custom hoods. Centrifugal blowers from 500 to 1500 CFM with multi-speed control provide quiet and effective performance. Halogen lighting complements the beauty of its fully-enclosed, easy-to-clean bottom.



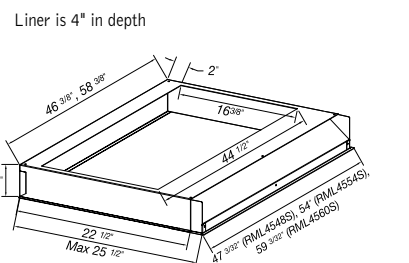
RML3336S/RML3342S For RMIP33



Liners for the RMIP Pro-Style Insert

Broan Elite Liners provide a beautiful way to finish your custom hood and protect your cabinetry. Designed to work with Broan Elite Pro-Insert and Power Packs, liners feature a 3" adjustable nose to provide application flexibility, and a 4" depth for excellent capture.

- Brushed stainless steel finish.
- Liners protect custom hood and are available for 36", 42", 48", 54" and 60" widths.
- Liners allow depth adjustment from 22 1/2" to 25 1/2". Fits stock 24" cabinets.
- Liners are based on the outside width of the custom hood.
- All models compliant with CA Title 24.



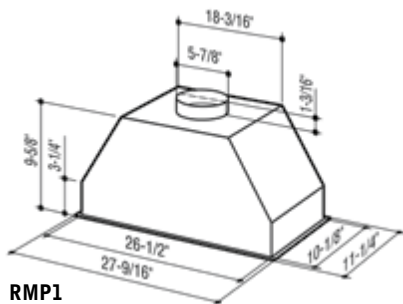
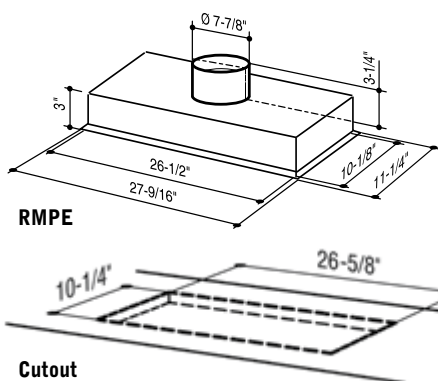
RML4548S/RML4554S/RML4560S For RMIP45

- Multi-speed control.
- Heat Sentry™ detects excessive heat and adjusts blower speed to high automatically.
- 400 CFM internal blower (<300 CFM with ARP6).
- External blower model (RMPE) allows a choice of eight blower options: four Exterior: 600, 900, 1200 or 1500 CFM, or four In-Line: 280, 600, 800 or 1100 CFM.
- Two 50-watt halogen lamps included.
- Dishwasher-safe aluminum filters feature a quick-release latch and professional-style appearance.
- Optional non-ducted filters (FILTEREB40) for indoor exhaust recirculation, some ductwork required (RMP17004 only).
- Install power pack so that the bottom of the unit is 24" to 30" above the cooking surface.
- Optional custom hood liners in 30", 36" and 48" widths.

Range Hood Specifications

| WIDTH | STAINLESS STEEL | BLOWER* | VOLTS | AMPS | CFM | SONES | DUCT | Optional Accessories | |
|-------|-----------------|-----------|-------|------|------|-------|-------|----------------------|--------------------|
| | | | | | | | | FILTER | MAKE-UP AIR DAMPER |
| 70cm | RMP17004* | Internal | 120 | 3.5 | 400* | 9.0 | 6" RD | FILTEREB40 | MD6TU, MD8TU |
| 70cm | RMPE7004 | External† | 120 | — | † | — | 8" RD | — | MD6TU, MD8TU |

† External blowers sold separately.
 * All blowers are HVI Certified.
 † Some ductwork required for RMP1 non-ducted installations.
 † 299 CFM max with ARP6 reducer plate option.



3-STEP POWER PACK AND BLOWER SELECTION GUIDE

1. Select a Power Pack system

- RMP17004, 400+ CFM Internal blower
- 27¹/₁₆" width, 11³/₄" depth
- RMPE7004, 280–1500 CFM External blower options
- 27¹/₁₆" width, 11³/₄" depth

2. Select a Liner to fit your cabinetry

- If the cabinet/hood inside depth is 18"–21", choose model:
- RML7030S for 30" width
 - RML7036S for 36" width
 - RML7048S for 48" width
- If the cabinet/hood inside depth is 21"–24", choose model:
- RML7030L for 30" width
 - RML7036L for 36" width
 - RML7048L for 48" width

3. Select an Internal or External Blower

- RMP17004, Internal 400 CFM blower is included
- RMPE7004, External blower options (choose one):
- Exterior blowers (outside, roof or wall):

- 331H (600 CFM)*
- 332H (900 CFM)*
- 335 (1200 CFM)*
- 336 (1500 CFM)*

In-Line blowers (inside, attic or other space):

- HLB3 (280 CFM)*v
- HLB6 (600 CFM)*
- HLB9 (800 CFM)*
- HLB11 (1100 CFM)*

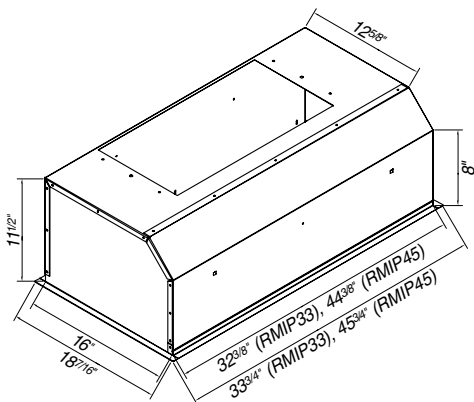
* 8"–10" transition (model 414) is required for the Exterior or In-Line models.

- Brushed stainless steel finish.
- Design allows use with custom liners or Broan Elite Pro-Style Insert liners (sold separately).
- Pro-Style Insert available in 33" and 45" widths.
- Variable speed control for quiet operation.
- Optional remote wall control available.
- Heat Sentry™ detects excessive heat and adjusts blower speed to high automatically.
- Dishwasher-safe stainless steel/aluminum filters, or optional baffle filters.
- Bright halogen lighting, two 50-watt lamps (RMIP33) or three 50-watt lamps (RMIP45), bulbs not included.
- Choose 460 (<300 CFM with ARP310) or 850 CFM Internal, or choice of eight External blower options: four Exterior: 600, 900, 1200 or 1500 CFM, or four In-Line: 280, 600, 800 or 1100 CFM. All blowers sold separately.
- Optional liners in 36", 42", 48" and 60" widths protect custom hoods.

Range Hood Specifications

| WIDTH | MODEL | BLOWER* | CFM* | SONES | FINISH | Optional Accessories | |
|----------------------------------|--------|----------|---------------------|-------|-----------------------|----------------------|--------------------|
| | | | | | | BAFFLE FILTER KIT | MAKE-UP AIR DAMPER |
| 33 ³ / ₄ " | RMIP33 | Internal | 460* (P5), 850 (P8) | 10.5 | 430 Brushed Stainless | RBFIP33 | MD6TU, MD8TU |
| | | External | * | | | | |
| 45 ³ / ₄ " | RMIP45 | Internal | 460* (P5), 850 (P8) | 10.5 | 430 Brushed Stainless | RBFIP45 | MD6TU, MD8TU |
| | | External | * | | | | |

* All blowers must be purchased separately and are HVI Certified. See blower specifications table on page 51.
 † All ratings for vertical duct only.
 † 299 CFM max with ARP310 reducer plate option.



RMIPWC Optional Wall Control for RMIP

Remote wall control provides both variable speed and light control from a more convenient location. Designed to work with the RMIP Pro-Style Insert only.



3-STEP INSERT & BLOWER SELECTION GUIDE

1. Select the right size Pro-Style Insert

- RMIP33 (33" width) or RMIP45 (45" width)
- Both feature an 18⁷/₁₆" depth
- 460+ or 850 CFM Internal blower options
- 280–1500 CFM External blower options

2. Select a Liner to fit your cabinetry

- For cabinet/hood inside depths of 23"–26" choose:
- RML3336S 36" width, use with RMIP33
 - RML3342S 42" width, use with RMIP33
 - RML4548S 48" width, use with RMIP45
 - RML4554S 54" width, use with RMIP45
 - RML4560S 60" width, use with RMIP45

3. Select a blower for your Insert

- Internal blowers:
- P5 (460 CFM)
 - P8 (850 CFM)
- Exterior blowers (outside, roof or wall):
- 331H (600 CFM)*
 - 332H (900 CFM)*
 - 335 (1200 CFM)*
 - 336 (1500 CFM)*
- In-Line blowers (inside, attic or other space):
- HLB3 (280 CFM)*
 - HLB6 (600 CFM)*
 - HLB9 (800 CFM)*
 - HLB11 (1100 CFM)*
- * 332KR Rough-In Kit is required when used with Exterior and In-Line blower options above (purchased separately).



Shown with custom liner

PM500SS Power Pack

The PM500SS delivers the features you expect and the power you need.

Serious cooks will appreciate the full surface coverage of the halogen lighting. Smooth surfaces and quick-release filters clean easily.



Bright Halogen Lighting



3-Speed Push-button Control



Custom Hood Kit

Ultimate ventilating solution for custom range hood designs.

The Custom Hood Kit is the perfect match of high performance ventilation and adjustable construction.



Model PM390 shown.

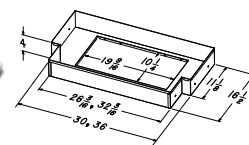
Custom Hood Power Packs and Modules

High-performance ventilation solutions.

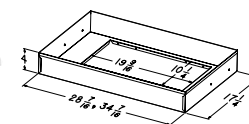
These integrated units provide the ventilation and lighting you need for your custom application.

PM390 & PM250 Liners

Broan "T" and "B" liners provide an elegant way to finish a traditional wood hood and protect cabinetry. They feature a durable silver painted finish and a 4" depth for good capture. Hemmed edges hide exposed edges, and pre-drilled mounting holes make installation easy.

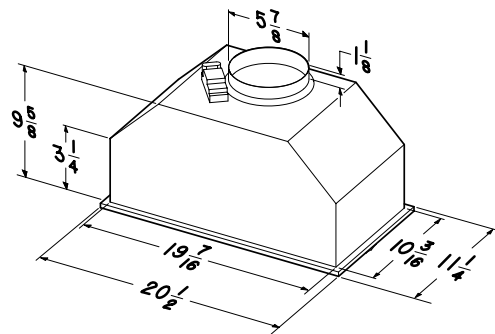


LT30 & 36 "T" liners work with wood hoods that are integrated with adjacent 12" deep cabinets.



LB30 & 36 "B" (box) liners fit into 18" deep wood hoods or cabinet bottoms.

- 500 CFM, 9.0 sones, HVI Certified
- Three-speed, push-button control includes a dedicated on/off
- Dual halogen bulbs with single light level for bright cooktop lighting (Type JC, 12V, 20W, G4 base), included
- 6" round duct
- Easy-to-clean, fully enclosed bottom with dishwasher-safe, aluminum-mesh filters
- Optional non-duct operation using 359NDK non-duct kit and charcoal filter, sold separately
- Works with optional Universal Make-up Air Dampers
- Works with optional LT and LB liners



Specifications

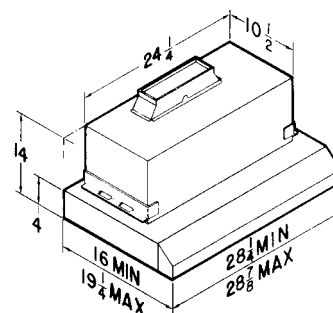
| MODEL | FINISH | VOLTS | AMPS | SONES | CFM | DUCT |
|---------|-----------------|-------|------|-------|-----|-------|
| PM500SS | Stainless Steel | 120 | 2.8 | 9.0 | 500 | 6" RD |



Optional Accessories

| NON-DUCT KIT | NON-DUCT CHARCOAL FILTER | ALUMINUM FILTER | HALOGEN BULB | MAKE-UP AIR DAMPERS | FRESH AIR INLETS | 30" PAINTED LINERS | 36" PAINTED LINERS | 30" STAINLESS STEEL LINER |
|--------------|--------------------------|-----------------|-----------------------|-------------------------|------------------------|--------------------|--------------------|---------------------------|
| 359NDK | 99010374 | B08087039 | Type JC 12V 20W G4 | MD6TU, MD8TU, MD10TU | 641FA, 643FA, 610FA | LT30 or LB30 | LT36 or LB36 | RML5230S |

- Fits into custom cabinetry from 30" to 42" wide.*
- Powerful, quiet 360 CFM/5.0 sone performance (vertical discharge only).
- 24" fluorescent tube lighting (bulb not included).
- Heat Sentry™ detects excessive heat and adjusts blower speed to high automatically.
- For ducted installations, includes damper/adaptor for 3 3/4" x 10" duct.
- Must order model 103123 Rough-In Kit.



Range Hood Specifications

| MODEL | VOLTS | AMPS | SONES | CFM | DUCT | ROUGH-IN KIT | FLUORESCENT BULB | EXTENSION KIT | MAKE-UP AIR DAMPER |
|----------|-------|------|-------|-----|--------------|--------------|------------------|---------------|--------------------|
| 103023** | 120 | 3.7 | 5.0 | 360 | 3 3/4" x 10" | 103123 | F20T12 | 97009790 | MD6TU, MD8TU |

Fluorescent Tube: 24", F20T12 (not included).

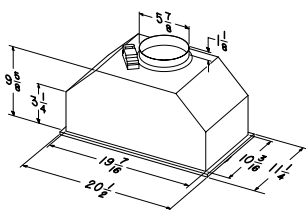
* For 36" installations order extension kit No. 97009790. Otherwise, installations up to 42" require custom fabricated metal liners.

** Duct vertical only.



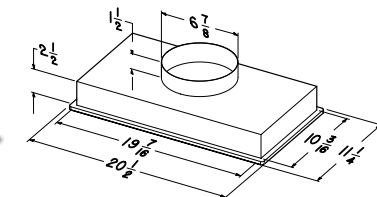
MODEL PM390

- Silver paint finish.
- Three speed, slide control.
- Heat Sentry™ detects excessive heat and adjusts speed automatically.
- Quiet centrifugal blower, 390 CFM, vertical discharge (<300 CFM with ARP6).
- Dual 40-watt lamps (Purchase separately).
- Dishwasher safe aluminum filter.
- For ducted installations, includes adapter and damper for 6" round duct.
- Optional non-ducted filter kit (Purchase separately).
- Works with optional custom hood liners in 30", 36", "Box" or "T" design.
- ENERGY STAR® version on pg 22-23.



MODEL PM250

- Silver paint finish.
- Two speed motor, rocker control.
- Efficient 250 CFM fan (vertical discharge).
- Dual 40-watt lighting (Purchase lamps separately).
- Dishwasher safe aluminum filter.



Power Pack and Power Module Specifications

| SILVER | WHITE | BLACK | VOLTS | AMPS | SONES | CFM | DUCT |
|--------|-------|-------|-------|------|-------|------|-------|
| PM390 | - | - | 120 | 2.9 | 6.0 | 390* | 6" RD |
| PM250 | - | - | 120 | 2.1 | 8.0 | 250 | 7" RD |



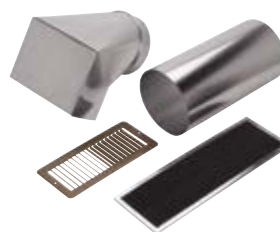
Optional Accessories

| NON-DUCTED KIT+ | ALUMINUM FILTER | CHARCOAL FILTER | 30" LINERS | 36" LINERS | MAKE-UP AIR DAMPER |
|-----------------|-----------------|-----------------|--------------|--------------|--------------------|
| 357NDK | 99010370 | B08999040 | LT30 or LB30 | LT36 or LB36 | MD6TU, MD8TU |
| 356NDK | 99010370 | B08999040 | LT30 or LB30 | LT36 or LB36 | MD6TU, MD8TU |

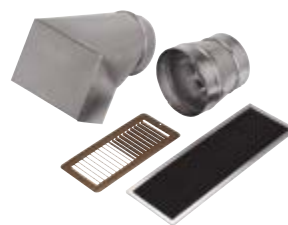
* Includes charcoal filter. Some duct work is required for non-ducted applications.

* 299 CFM max with ARP310 reducer plate option.

MODEL 356NDK



MODEL 357NDK



Depending on your installation of the non-duct system, you may need additional duct or duct components (ie elbows).

Choose from a full line of ENERGY STAR® qualified range hoods from the experts!



Broan® introduced the first ENERGY STAR® qualified range hoods with the QDE Series. Now our line includes models to meet more design options for fashion, custom and pro. All meet Green Building program requirements from USGBC®, LEED®, NAHB and ENERGY STAR® with energy-efficient motors and compact fluorescent lighting. What's more, all are certified by HVI (Home Ventilating Institute) so you know you have a powerful hood. Save energy—and money—with ENERGY STAR® qualified range hoods from Broan. ENERGY STAR® is a registered mark owned by the U.S. government.

Broan Elite RME50000

Rangemaster

Beautiful, yet attainable.

European design with tremendous value to meet the requirements of today's conventional appliance and kitchen styles.

- Three-speed slide control and integrated dual fluorescent light assembly.
- 290 CFM at maximum speed.
- 0.5 Sones at normal (135 CFM).
- Heat Sentry™ detects excessive heat and adjusts blower speed to high automatically.
- Dual 13-watt fluorescent lamps included (one level).
- Dishwasher-safe aluminum filter features a quick-release latch and professional style appearance.
- Ducted telescopic flue accommodates ceiling heights from 8 to 9 feet. Extension flues for higher ceilings are also available.*
- Install hood so that the bottom of the unit is 24 to 30 inches above the cooking surface. Mounting height is determined by ceiling height.

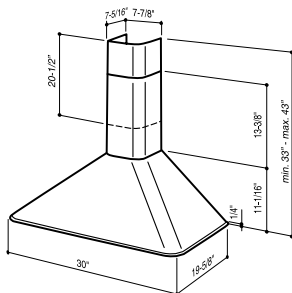


Range Hood Specifications

| WIDTH | STAINLESS STEEL | VOLTS | AMPS | SONES NORMAL SETTING | SONES HIGH SETTING | CFM NORMAL/HIGH | DUCT |
|-------|-----------------|-------|------|----------------------|--------------------|-----------------|-------|
| 30" | RME5030SS | 120 | 2.86 | 0.5 | 5.5 | 130/290 | 6" RD |



* Optional flue extension for 10' ceiling—extensions over 10' have up to a 14-week order time.



Optional Accessory

**FLUE EXTENSION*
STAINLESS STEEL**
RFX5004

* Optional flue extension for 10' ceilings.

Model PME300

ENERGY STAR® efficiency, for custom applications provides the ventilation and lighting you need in one integrated package.

- Silver paint finish.
- Three speed, slide control.
- Heat Sentry™ detects excessive heat and adjusts speed automatically.
- Quiet centrifugal blower, 290 CFM (vertical discharge).
- 0.5 Sones at normal (130 CFM).
- Dual 13-watt fluorescent lamps included.
- Dishwasher safe aluminum filter.
- For ducted installations, includes adapter and damper for 6" round duct.
- Works with optional custom hood liners in 30", 36", "Box" or "T" design.



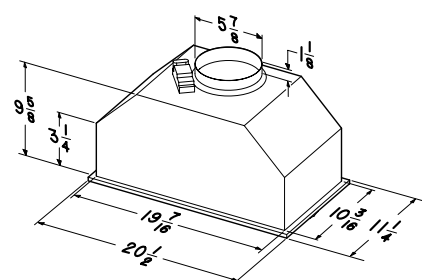
Power Pack and Power Module Specifications

| SILVER | VOLTS | AMPS | SONES NORMAL SETTING | SONES HIGH SETTING | CFM NORMAL/HIGH | DUCT |
|--------|-------|------|----------------------|--------------------|-----------------|-------|
| PME300 | 120 | 2.9 | 0.5 | 5.0 | 130/290 | 6" RD |



Optional Accessories

| ALUMINUM FILTER | 30" LINERS | 36" LINERS |
|-----------------|--------------|--------------|
| B08087694 | LT30 or LB30 | LT36 or LB36 |





QDE Series

The first ENERGY STAR® range hood on the market.



Compact fluorescent lighting.



APE Series

High performance, professional style ENERGY STAR® range hood.



Tilt-down compact fluorescent lighting.



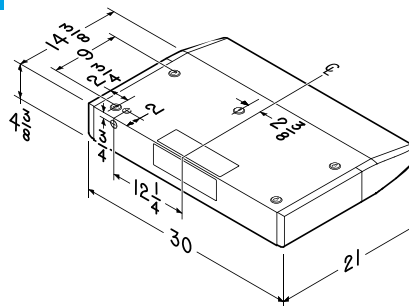
QSE Series

Allure, America's contemporary style choice is now available with ENERGY STAR®.



Tilt-down compact fluorescent lighting.

- Two speed rocker switch.
- 290 CFM at maximum speed.
- 0.8 Sones at normal speed (130 CFM).
- Vertical or horizontal discharge (ducted only).
- Dual 13-watt compact fluorescent bulbs (included).
- Fully enclosed bottom to aid in trapping grease and contaminants.
- Dishwasher-safe aluminum filters and blower wheel.
- Available in stainless steel, white and black.



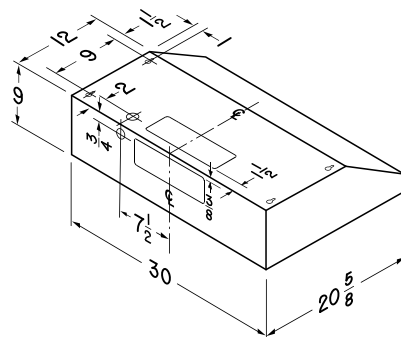
Includes 3-1/4x10" damper/adapter

Range Hood Specifications

| WIDTH | WHITE | BLACK | STAINLESS STEEL |
|-------|---------|---------|-----------------|
| 30" | QDE30WW | QDE30BL | QDE30SS |

| VOLTS | AMPS | SONES NORMAL SETTING | SONES HIGH SETTING | CFM NORMAL/HIGH | DUCT |
|-------|------|----------------------|--------------------|-----------------|--------------|
| 120 | 1.6 | 0.8 | 5.5 | 130/290 | 3 1/4" x 10" |

- 9" Pro-style hood height for maximum capture.
- Hidden, variable speed controls with last setting memory.
- 440 CFM at maximum speed.
- 0.7 Sones at normal speed (200 CFM).
- Vertical or horizontal discharge (ducted only). Can be installed as non-ducted (ENERGY STAR void).
- Bright 26-watt compact fluorescent bulb (included).
- Convenient 4-watt night-light (bulb included).
- Dishwasher-safe, antimicrobial protected filters.
- Heat Sentry™ detects excessive heat and adjusts speed to high automatically.
- Available in stainless steel finish.



Includes 3-1/4x10" damper/adapter

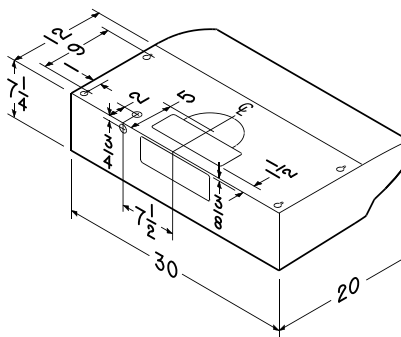
Range Hood Specifications

Optional Accessory

| WIDTH | STAINLESS STEEL | MAKE-UP AIR DAMPER |
|-------|-----------------|--------------------|
| 30" | APE130SS | MD6TU, MD8TU |

| VOLTS | AMPS | SONES NORMAL SETTING | SONES HIGH SETTING | CFM NORMAL/HIGH | DUCT |
|-------|------|----------------------|--------------------|-----------------|--------------|
| 120 | 1.9 | 0.7 | 7.0 | 200/440 | 3 1/4" x 10" |

- Two speed rocker switch.
- 210 CFM at maximum speed.
- 1.5 Sones at normal speed (110 CFM).
- Vertical or horizontal discharge (ducted only).
- Bright 26-watt compact fluorescent bulb (included).
- Convenient 4-watt night-light (bulb included).
- Dishwasher-safe aluminum filters.
- Available in stainless steel, white and black.



Flexible option for ducted installation
 • Three way convertible 3-1/4x10" (horizontal and vertical), 7" round (vertical)
 • Includes 3-1/4x10" damper/adapter and 7" round adapter

Range Hood Specifications

Optional Accessory

| WIDTH | WHITE | BLACK | STAINLESS STEEL | 7" ROUND DAMPER |
|-------|----------|----------|-----------------|-----------------|
| 30" | QSE130WW | QSE130BL | QSE130SS | BP87 |

| VOLTS | AMPS | SONES NORMAL SETTING | SONES HIGH SETTING | CFM NORMAL/HIGH | DUCT |
|-------|------|----------------------|--------------------|-----------------|-----------------------|
| 120 | 1.8 | 1.5 | 5.0 | 110/210 | 3 1/4" x 10" OR 7" RD |



E64000 shown with a custom backsplash.

Broan Elite E64000 Series

Professional style that fits under any cabinet.



E64000 shown with non-duct recirculating kit and a custom backsplash.

Broan Elite Options

Adapt to any installation. Quality Broan Elite options let you create a custom look.

- Restaurant-quality stainless steel backsplash with fold-down shelves completes the commercial look and is easy to clean.
- When venting to the exterior is not possible, an optional non-duct kit will filter air through charcoal filters and recirculate it back into the kitchen.

True professional style and performance has never been easier to bring home.

- Brushed stainless steel finish.
- Bright halogen lighting with two settings; Two 50-watt bulbs in 30" and 36" widths, Three 50-watt bulbs in 42" and 48" widths (purchase bulbs separately).
- Pro-style, dishwasher-safe baffle filters with removable grease drip rail.
- Variable speed control remembers last setting—blue power-on indicator light.
- Heat Sentry™ detects excessive heat and adjusts blower speed automatically.
- Designed to duct out of the hood shell in either horizontal or vertical direction with internal blowers. External blowers duct vertically.
- Designed to work with Broan Automatic Make-Up Air Damper.



Internal Blower Specifications

| WIDTH | STAINLESS STEEL | CFM | SONES NORMAL SETTING ¹ | LAMPS | MAX AMPS ¹ | DUCTING ² |
|-------|-----------------|------|-----------------------------------|------------|-----------------------|----------------------|
| 30" | E6430SS | 600 | 1.5 | 2-50W GU10 | 5.0 | 3-1/4" x 10" |
| 36" | E6436SS | 600 | 1.5 | 2-50W GU10 | 5.0 | 3-1/4" x 10" |
| 42" | E6442SS | 600 | 1.5 | 3-50W GU10 | 5.5 | 3-1/4" x 10" |
| 48" | E6448SS | 600 | 1.5 | 3-50W GU10 | 5.5 | 3-1/4" x 10" |
| 48" | E6448TSS | 1200 | 2.0 | 3-50W GU10 | 9.0 | 4-1/2" x 18" |

¹ Sones at high speed for Internal 600–13.5 max; Internal 1200–14.5 max.

² Duct adapter & damper is included with the Internal blowers.

• 120V 60Hz

External Blower Specifications

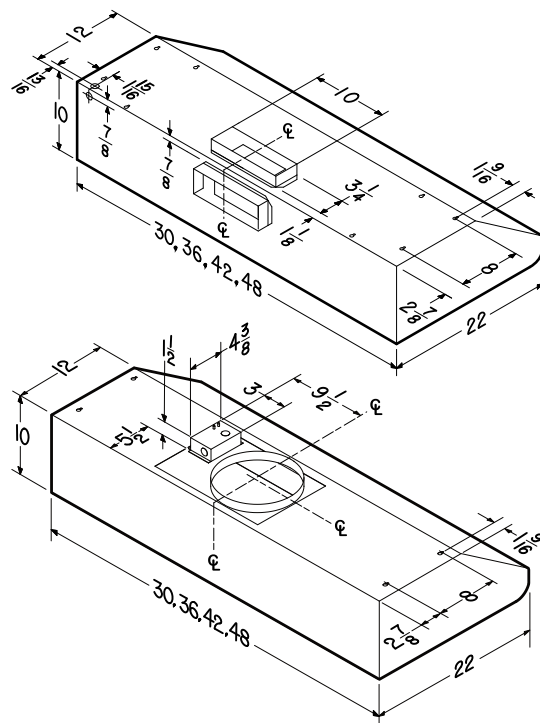
| WIDTH | STAINLESS STEEL | CFM ¹ (see page 51) | SONES ² | LAMPS | MAX AMPS ¹ | DUCTING ³ |
|-------|-----------------|--------------------------------|--------------------|------------|-----------------------|----------------------|
| 30" | E64E30SS | 280–1500 | see below | 2-50W GU10 | 5.5 | 10" Rd |
| 36" | E64E36SS | 280–1500 | see below | 2-50W GU10 | 5.5 | 10" Rd |
| 42" | E64E42SS | 280–1500 | see below | 3-50W GU10 | 6.0 | 10" Rd |
| 48" | E64E48SS | 280–1500 | see below | 3-50W GU10 | 6.0 | 10" Rd |

¹ See page 50 for Exterior (600–1500 CFM) and Inline (280–1100 CFM) blower specifications.

² Sone levels are typically half of comparable CFM internal blowers.

³ External blower capable models include the 332KR rough-in kit (Purchase blowers separately).

• 120V 60Hz



Pro-style, dishwasher-safe baffle filters with removable grease drip rail. Filters feature handles for convenient removal.



A non-duct kit may be used to recirculate filtered air back into the kitchen if ducting is not practical.



The professional look is completed with an optional backsplash.

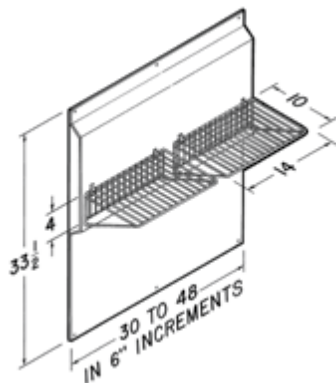
E64000 Optional Accessories Selection Table

| WIDTH | NON-DUCT KIT†* | BACKSPLASH | NON-DUCTED FILTER* | MAKE-UP AIR DAMPER |
|-------|----------------|------------|--------------------|--------------------|
| 30" | ANKE60302SS | RMP3004 | ROUNDFILTER | MD6T, MD8T |
| 36" | ANKE60362SS | RMP3604 | ROUNDFILTER | MD6T, MD8T |
| 42" | ANKE60422SS | RMP4204 | ROUNDFILTER | MD6T, MD8T |
| 48" | ANKE60482SS | RMP4804 | ROUNDFILTER** | MD6T, MD8T |

† For models with internal blowers only.

* Includes non-ducted filters.

** Requires two packs for 1200 CFM Blower.



Make-Up Air Damper Model MD6T, MD8T



E60000 shown with optional 12" soffit flue.

Broan Elite E60000 Series

Take professional style to new heights.



E60000 shown with non-duct recirculating kit.

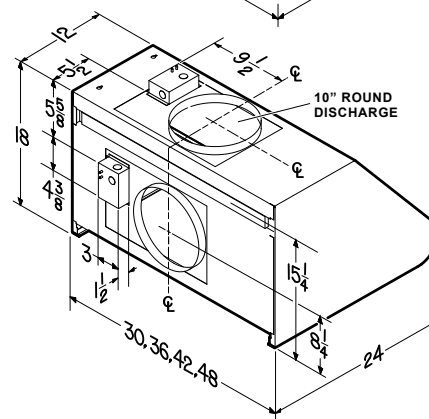
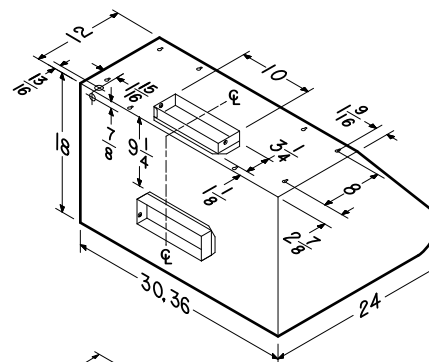
Broan Elite Options

Adapt to any installation. Quality Broan Elite options let you create a custom look.

- Restaurant-quality stainless steel backsplash with fold-down shelves completes the commercial look and is easy to clean.
- Optional matching soffit chimney on the E60000 extends the commercial look in kitchens with ceilings up to 8 feet high.
- When venting to the exterior is not possible, an optional non-duct kit will filter air through charcoal filters and recirculate it back into the kitchen.

True professional style and performance has never been easier to bring home.

- Brushed stainless steel finish.
- Bright halogen lighting with two settings; Two 50-watt bulbs in 30" and 36" widths, Three 50-watt bulbs in 42" and 48" widths (purchase bulbs separately).
- Pro-style, dishwasher-safe baffle filters with removable grease drip rail.
- Variable speed control remembers last setting—blue power-on indicator light.
- Heat Sentry™ detects excessive heat and adjusts blower speed automatically.
- Designed to duct out of the hood shell in either horizontal or vertical direction with any blower configuration.
- Designed to work with Broan Automatic Make-up air damper.



Internal Blower Specifications

| WIDTH | STAINLESS STEEL | CFM | SONES NORMAL SETTING ¹ | LAMPS | MAX AMPS ² | DUCTING ² |
|-------|-----------------|------|-----------------------------------|------------|-----------------------|----------------------|
| 30" | E6030SS | 600 | 1.5 | 2-50W GU10 | 5.0 | 3-1/4" x 10" |
| 36" | E6036SS | 600 | 1.5 | 2-50W GU10 | 5.0 | 3-1/4" x 10" |
| 42" | E6042TSS | 1200 | 2.0 | 3-50W GU10 | 9.0 | 4-1/2" x 18" |
| 48" | E6048TSS | 1200 | 2.0 | 3-50W GU10 | 9.0 | 4-1/2" x 18" |

¹ Sones at high speed for Internal 600–13.5 max; Internal 1200–14.5 max.

² Duct adapter & damper is included with the Internal blowers.

♦ 120V 60Hz

External Blower Specifications

| WIDTH | STAINLESS STEEL | CFM ¹ (see page 51) | SONES ² | LAMPS | MAX AMPS ³ | DUCTING ³ |
|-------|-----------------|--------------------------------|--------------------|------------|-----------------------|----------------------|
| 30" | E60E30SS | 280–1500 | see below | 2-50W GU10 | 5.5 | 10" Rd |
| 36" | E60E36SS | 280–1500 | see below | 2-50W GU10 | 5.5 | 10" Rd |
| 42" | E60E42SS | 280–1500 | see below | 3-50W GU10 | 6.0 | 10" Rd |
| 48" | E60E48SS | 280–1500 | see below | 3-50W GU10 | 6.0 | 10" Rd |

¹ See page 51 for Exterior (600–1500 CFM) and Inline (280–1100 CFM) blower specifications.

² Sone levels are typically half of comparable CFM internal blowers.

³ External blower capable models include the 332KR rough-in kit (Purchase blowers separately).

♦ 120V 60Hz



Pro-style, dishwasher-safe baffle filters with removable grease drip rail. Filters feature handles for convenient removal.



A non-duct kit may be used to recirculate filtered air back into the kitchen if ducting is not practical.



The professional look is completed with an optional backsplash.

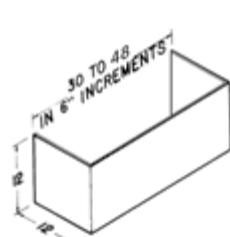
E60000 Optional Accessories Selection Table

| WIDTH | NON-DUCT KIT†* | 12" SOFFIT FLUE COVER | BACKSPASH | NON-DUCTED FILTER* | MAKE-UP AIR DAMPER |
|-------|----------------|-----------------------|-----------|--------------------|--------------------|
| 30" | ANKE60302SS | AEE60302SS | RMP3004 | ROUNDFILTER | MD6T, MD8T |
| 36" | ANKE60362SS | AEE60362SS | RMP3604 | ROUNDFILTER | MD6T, MD8T |
| 42" | ANKE60422SS | AEE60422SS | RMP4204 | ROUNDFILTER** | MD6T, MD8T |
| 48" | ANKE60482SS | AEE60482SS | RMP4804 | ROUNDFILTER** | MD6T, MD8T |

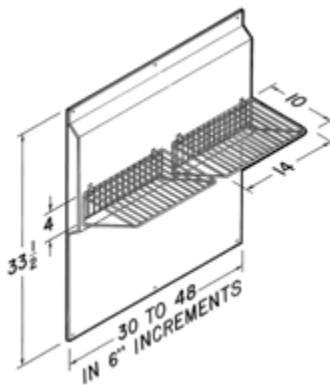
† For models with internal blowers only.

* Includes non-ducted filters.

** Requires two packs for 1200 CFM Blower.



12" SOFFIT FLUE COVER



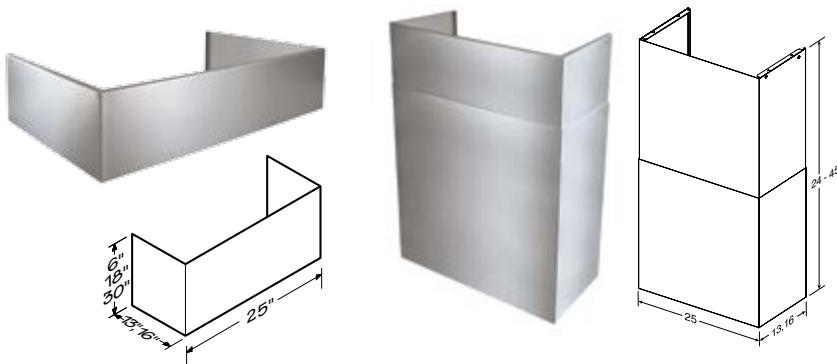
Make-Up Air Damper Model MD6T, MD8T



Broan Elite Pro Outdoor EPD61 Series

Broan Elite Pro Options

Flue covers are available in corrosion resistant stainless steel and attach to the top of the range hood shell. Flue covers come in 6", 18" and 30" heights. Deeper flue covers are available for hoods using the 3" wall extension.



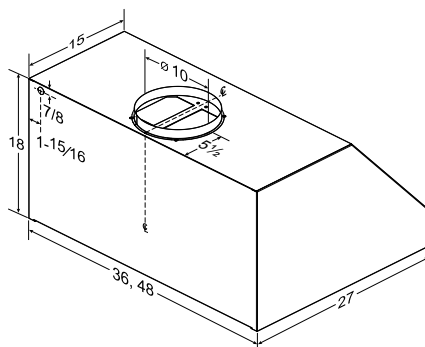
Flue Cover Specifications

| HEIGHTS | FLUE COVER 13" (STANDARD DEPTH) | FLUE COVER 16" (EXTENDED DEPTH) |
|---|---------------------------------------|---------------------------------------|
| 6" for 8' ceiling | AEEP6SS | AEEP6SSE |
| 18" for 9' ceiling | AEEP18SS | AEEP18SSE |
| 30" for 10' ceiling | AEEP30SS | AEEP30SSE |
| Adjustable 24"-45" for 9.5' to 11.5' ceiling | AEEP2445SS | AEEP2445SSE |

Flue cover available in corrosion resistant stainless steel.

Extra deep design and improved performance for best-in-class capture.

- Professional outdoor design.
- Deep 27" depth to handle heat and size of outdoor gas grills (optional 3" wall extension).
- Brushed corrosion resistant stainless steel.
- Two widths: 36" and 48".
- Powerful 1100 CFM internal blower.
- Bright halogen lighting; two in 36", three in 48" model (bulbs not included).
- 3-speed rotary control designed to resist the effects of heat and moisture.
- Stainless steel baffle filters.
- Heat Sentry™ detects excessive heat and adjusts blower speed automatically.
- HVI certified performance.



Range Hood Specifications

| WIDTH | STAINLESS STEEL | BLOWER | VOLTS | AMPS | CFM | SONES | DUCT |
|-------|-----------------|----------|-------|---------|------|-------|--------|
| 36" | EPD6136SS | Internal | 120 | 9.0 Max | 1100 | 11.0 | 10" RD |
| 48" | EPD6148SS | Internal | 120 | 9.0 Max | 1100 | 11.0 | 10" RD |



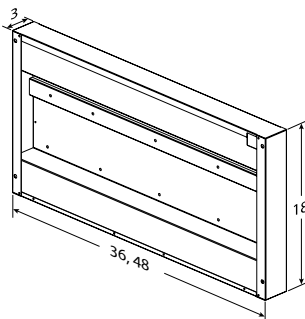
1100 CFM Internal Blower tested to assure operation in corrosive environments.

Optional Accessory

3" WALL EXTENSION

AWEPD36SS

AWEPD48SS



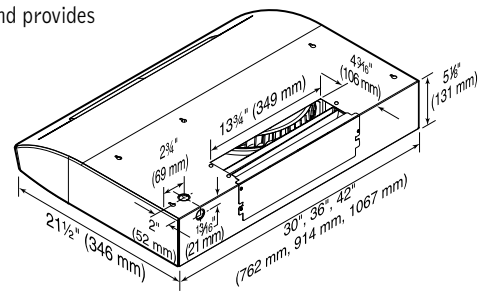
Optional 3" wall extension creates 30" depth for even greater coverage; eliminates expensive custom wall bump-outs



Broan Elite E661

Ultra Quiet Performance. The clean, smooth design of this range hood fits snugly under cabinets and provides quiet and effective ventilation.

- Super quiet <0.3 sones at normal speed.
- Enclosed stainless steel bottom with dishwasher-safe aluminum filter with easy release latches.
- Brilliant dual 50-watt halogen lighting (GU10 bulbs included).
- Three-level light settings with last setting memory and transitional theater style lighting. Intensities change gradually.
- Large recessed bottom filter area increases capture.
- Up to 600 CFM internal blower (3¼" x 14" duct, convertible to horizontal or vertical discharge; <300 CFM with ARP314).
- Three-speed plus boost with last setting memory and 5-minute delay off feature.
- Heat Sentry™ detects excessive heat and adjusts blower speed to high automatically.



Range Hood Specifications

| WIDTH | STAINLESS STEEL | WHITE | BLACK | BLOWER | VOLTS | AMPS | NORMAL+ SETTING CFM/SONES | HIGH+ SETTING CFM/SONES | BOOST+ MODE CFM/SONES | DUCT* | Optional Accessory |
|-------|-----------------|----------|----------|----------|-------|------|---------------------------|-------------------------|-----------------------|-----------|--------------------|
| 30" | E66130SS | E66130WH | E66130BL | Internal | 120 | 2.4 | 130/<0.3 | 310/2.5 | 600/8.5* | 3¼" x 14" | MD6TU, MD8TU |
| 36" | E66136SS | E66136WH | E66136BL | Internal | 120 | 2.4 | 130/<0.3 | 310/2.5 | 600/8.5* | 3¼" x 14" | MD6TU, MD8TU |
| 42" | E66142SS | - | - | Internal | 120 | 2.4 | 130/<0.3 | 310/2.5 | 600/8.5* | 3¼" x 14" | MD6TU, MD8TU |

* Optional accessory, T461 Adapter 3¼" x 14" to 3¼" x 10" (will reduce CFM a minimum of 100 CFM).

+ Performance levels are for horizontal discharge (vertical boost 550 CFM).

** 299 CFM max with ARP314 reducer plate option.

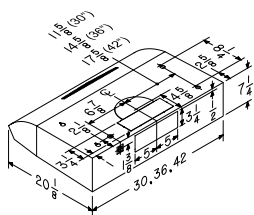
EVOLUTION™ 2

EVOLUTION 2 provides the control, power and lighting you need in four attractive finishes.

- Very quiet 0.6 sones at normal speed.
- Brushed Stainless Steel, Black, White or Bisque finishes.
- Easy-to-clean, fully-enclosed non-stick bottom pan.
- Dishwasher-safe, quick latch aluminum micro-mesh filters.
- Soft-touch lighting and three-speed blower control panel, green LEDs.
- Internal blower delivers 350 CFM.
- Four Halogen MR16/GU10 50W lamps (bulbs included).
- Three-level light settings with theater-style transition.
- Broan Advanced Heat Sentry™ detects excessive heat and adjusts blower speed for proper ventilation.



Soft-touch electronic control.



Range Hood Specifications

| WIDTH | FINISH | | | | VOLTS | AMPS | SONES NORMAL SETTING | SONES HIGH SETTING | CFM BOOST MODE | DUCT | Optional Accessory |
|-------|-----------------|---------|---------|---------|-------|------|----------------------|--------------------|----------------|------------------------|--------------------|
| | STAINLESS STEEL | WHITE | BLACK | BISQUE | | | | | | | MAKE-UP AIR DAMPER |
| 30" | QP230SS | QP230WW | QP230BL | QP230BC | 120 | 2.8 | 0.6 | 5.0 | 350 | 3/4"x10"* OR 7" RD. | MD6TU, MD8TU |
| 36" | QP236SS | QP236WW | QP236BL | QP236BC | 120 | 2.8 | 0.6 | 5.0 | 350 | 3/4"x10"* OR 7" RD. | MD6TU, MD8TU |
| 42" | QP242SS | QP242WW | QP242BL | QP242BC | 120 | 2.8 | 0.6 | 5.0 | 350 | 3/4"x10"* OR 7" RD. | MD6TU, MD8TU |

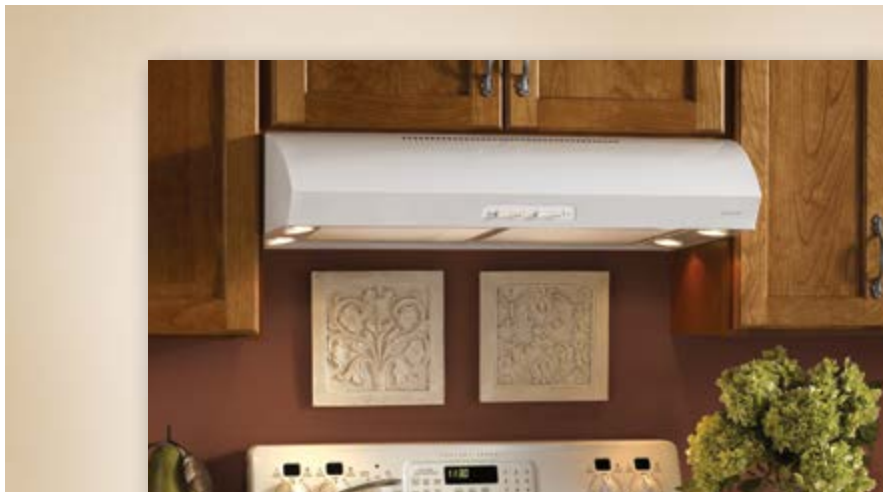
*Non-ducted installation requires optional CleanSense™ charcoal filters, purchased separately.



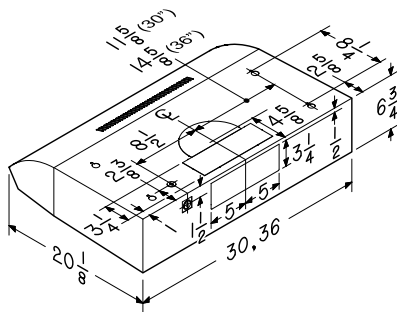
EVOLUTION™ 1

EVOLUTION 1 is ideal for those who feel simplicity defines elegance.

- Very quiet 0.8 sones at normal speed.
- Brushed Stainless Steel, Black or White finishes.
- Easy-to-clean, fully-enclosed underside.
- Dishwasher-safe, quick latch aluminum mid-mesh filters.
- Internal blower delivers 300 CFM.
- Simple, two-speed blower and lighting controls.
- Four Halogen MR16/GU10 35W lamps (bulbs not included).
- Two-level light settings.



Convenient, two-setting control.



Range Hood Specifications

| WIDTH | STAINLESS STEEL | WHITE | BLACK | VOLTS | AMPS | SONES NORMAL SETTING | SONES HIGH SETTING | CFM BOOST MODE | DUCT |
|-------|-----------------|---------|---------|-------|------|----------------------|--------------------|----------------|------------------------|
| 30" | QP130SS | QP130WW | QP130BL | 120 | 2.3 | 0.8 | 5.0 | 300 | 3/4"x10"* OR 7" RD. |
| 36" | QP136SS | QP136WW | QP136BL | 120 | 2.3 | 0.8 | 5.0 | 300 | 3/4"x10"* OR 7" RD. |
| 42" | QP142SS | QP142WW | QP142BL | 120 | 2.3 | 0.8 | 5.0 | 300 | 3/4"x10"* OR 7" RD. |

* Non-ducted recirculating installation requires optional CleanSense™ charcoal filters, BPPF(30/36/42).



For the 42" EVOLUTION 1 refer to the EVOLUTION 2 line art.
Ducting: 3/4" x 10" (includes damper/adaptor), or 7" round (includes adaptor). Non-ducted installation requires optional CleanSense™ charcoal filters, purchased separately.



QS3 Series (Allure III)

For unparalleled style, quiet, ease of operation and performance.

The ultimate Allure model, combines features like three-speed electronic control plus boost-speed mode, delay-off and filter cleaning reminder. For the first time anywhere, you can have the easy cleaning of DuPont Teflon® in a range hood.



Deluxe glass-look finish, in matching colors. LED indicators for each speed.



QS2 Series (Allure II)

Sets new standard for style, quiet and ease of cleaning.

The Allure II provides the style and performance you demand and with DuPont Teflon®, the easy clean-up you want.



Matte finish in matching color. LED indicators for each speed.



QS1 Series (Allure I)

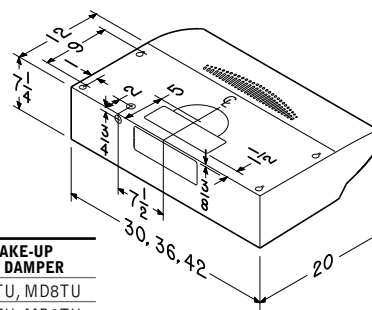
The new benchmark in style and value.

The quietest range hood in its category, with revolutionary performance and the brilliance of halogen lighting. This isn't anything like your Mom's range hood; it's the one she wished for.



Rocker controls and nameplate in matching matte colors.

- Ultra quiet 0.4 sones at normal speed; extra powerful 430 CFM boost.
- Easy-to-clean DuPont Teflon® bottom pan; fully enclosed design.
- Professional style filters; dishwasher-safe.
- Three-level light settings; dual halogen lamp design (bulbs not included).
- Advanced Heat Sentry™ detects excessive heat and adjusts hood speed for proper ventilation.



Range Hood Specifications

| Range Hood Specifications | | | | | | Optional Accessories | | |
|---------------------------|---------|----------------|---------|---------|-----------------|----------------------|-----------------|--------------------|
| WIDTH | WHITE | BISQUE/BISCUIT | ALMOND | BLACK | STAINLESS STEEL | NON-DUCTED FILTER | 7" ROUND DAMPER | MAKE-UP AIR DAMPER |
| 30" | QS330WW | QS330BC | QS330AA | QS330BL | QS330SS | BPSF30 | BP87 | MD6TU, MD8TU |
| 36" | QS336WW | QS336BC | QS336AA | QS336BL | QS336SS | BPSF36 | BP87 | MD6TU, MD8TU |
| 42" | QS342WW | QS342BC | QS342AA | QS342BL | QS342SS | BPSF42 | BP87 | MD6TU, MD8TU |

Charcoal filters (not included) are required for non-ducted applications.

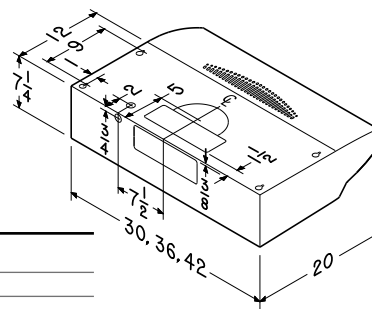
| VOLTS | AMPS | SONES NORMAL SETTING | SONES HIGH SETTING | CFM BOOST MODE | DUCT |
|-------|------|----------------------|--------------------|----------------|---------------------|
| 120 | 3 | 0.4* | 4.5* | 430* | 3/4" x 10" OR 7" RD |

* Normal setting: 100 CFM, High setting: 300 CFM, sones at Boost: 8.0. Halogen lamps: PAR20 flood 50W maximum (not included).

Flexible options for any installation

- Four-way convertibility 3/4" x 10" (horizontal and vertical), 7" round (vertical) and non-ducted (Non-ducted Clean Sense™ filters purchased separately).
- Includes 3/4" x 10" damper/adapter.

- Very quiet 0.9 sones at normal speed; powerful 300 CFM at high setting (<300 CFM with ARP310).
- Easy-to-clean DuPont Teflon® bottom pan, fully enclosed design.
- Micro-mesh filters, dishwasher-safe.
- Three-level light settings; dual halogen lamp design (bulbs not included).
- Three-speed electronic control.
- Heat Sentry™ detects excessive heat and adjusts blower speed to high automatically.



Range Hood Specifications

| Range Hood Specifications | | | | | | Optional Accessories | |
|---------------------------|---------|----------------|---------|---------|-----------------|----------------------|-----------------|
| WIDTH | WHITE | BISQUE/BISCUIT | ALMOND | BLACK | STAINLESS STEEL | NON-DUCTED FILTER | 7" ROUND DAMPER |
| 30" | QS230WW | QS230BC | QS230AA | QS230BL | QS230SS | BPSF30 | BP87 |
| 36" | QS236WW | QS236BC | QS236AA | QS236BL | QS236SS | BPSF36 | BP87 |
| 42" | QS242WW | QS242BC | QS242AA | QS242BL | QS242SS | BPSF42 | BP87 |

Charcoal filters (not included) are required for non-ducted applications.

| VOLTS | AMPS | SONES NORMAL SETTING | SONES HIGH SETTING | CFM HIGH | DUCT |
|-------|------|----------------------|--------------------|----------|--------------------|
| 120 | 2 | 0.9 | 4.5 | 300* | 3/4" x 10" OR 7"RD |

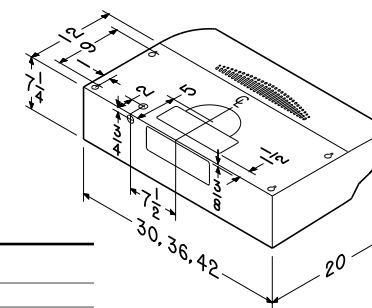
Halogen lamps: PAR20 flood 50W maximum (not included).

* 299 CFM max with ARP310 reducer plate option.

Flexible options for any installation

- Four-way convertibility 3/4" x 10" (horizontal and vertical), 7" round (vertical) and non-ducted (Non-ducted Clean Sense™ filters purchased separately).
- Includes 3/4" x 10" damper/adapter.

- Quiet 1.5 sones at normal speed, 220 CFM at high setting.
- Fully enclosed design for easy cleaning.
- Standard large filters, dishwasher-safe.
- Two-level light setting; dual halogen lamp design (bulbs not included).
- Two-speed contoured rocker switch control.
- ENERGY STAR® version on pg 22-23.



Range Hood Specifications

| Range Hood Specifications | | | | | | Optional Accessories | |
|---------------------------|---------|----------------|---------|---------|-----------------|----------------------|-----------------|
| WIDTH | WHITE | BISQUE/BISCUIT | ALMOND | BLACK | STAINLESS STEEL | NON-DUCTED FILTER | 7" ROUND DAMPER |
| 30" | QS130WW | QS130BC | QS130AA | QS130BL | QS130SS | BPSF30 | BP87 |
| 36" | QS136WW | QS136BC | QS136AA | QS136BL | QS136SS | BPSF36 | BP87 |
| 42" | QS142WW | QS142BC | QS142AA | QS142BL | QS142SS | BPSF42 | BP87 |

Charcoal filters (not included) are required for non-ducted applications.

| VOLTS | AMPS | SONES NORMAL SETTING | SONES HIGH SETTING | CFM HIGH | DUCT |
|-------|------|----------------------|--------------------|----------|---------------------|
| 120 | 1.8 | 1.5 | 5.0 | 220 | 3/4" x 10" OR 7" RD |

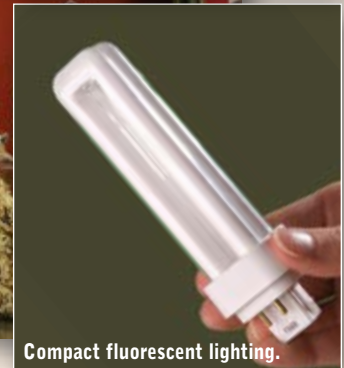
Halogen lamps: PAR20 flood 50W maximum (not included).

Flexible options for any installation

- Four-way convertibility 3/4" x 10" (horizontal and vertical), 7" round (vertical) and non-ducted (Non-ducted Clean Sense™ filters purchased separately).
- Includes 3/4" x 10" damper/adapter.



Full-size filters are also dishwasher-safe.



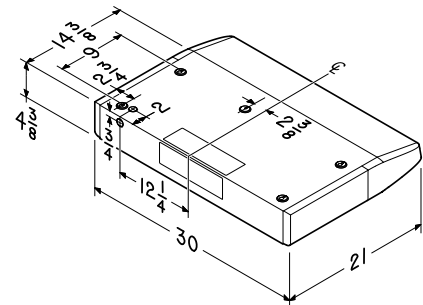
Compact fluorescent lighting.

QDE Energy Efficient Range Hood

The first ENERGY STAR® qualified range hood on the market.

Leave it to the ventilation experts to develop the first range hood that provides the ventilating power you need while using less energy. The QDE Series does it all, and quietly too, all while meeting Green Building Programs such as USGBC®, LEED®, NAHB and ENERGY STAR®. And that means you can expect a total lifetime energy savings of 564 kWh over comparable standard range hoods.

- Stainless steel or white finishes.
- Two speed rocker switch.
- 290 CFM at maximum speed.
- 0.8 CFM max at normal speed 130 CFM.
- Acoustic insulation surrounds the motor.
- Vertical or horizontal discharge.
- Dual, compact 13-watt fluorescent bulbs (included) last up to five times longer than incandescent lighting.
- Dishwasher safe aluminum filters and blower wheel.



Range Hood Specifications

| SERIES | WIDTH | STAINLESS STEEL | WHITE | VOLTS | AMPS | CFM High/ Low** | SONES High/Low** | DUCT |
|--------|-------|-----------------|---------|-------|------|-----------------|------------------|------------|
| QDE | 30" | QDE30SS | QDE30WW | 120 | 1.6 | 290/130 | 5.5/0.8 | 3 3/4"x10" |

* Rectangular adapter/damper included.

** All ratings in horizontal duct position.





Optional non-duct recirculating kit available for the AP1 Series.



AP1 Series features variable speed controls with last setting memory.

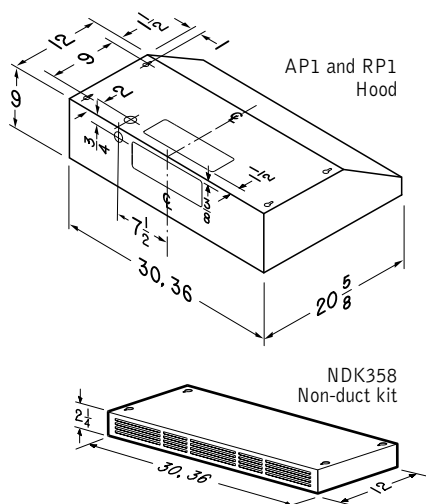


RP1 Series features two-speed rocker switch controls.

Antimicrobial Coating

Broan combines antimicrobial protection with advanced AP1 mesh filters for unsurpassed benefits:

- Inhibits the growth of odor causing bacteria so filters stay fresher longer.
- Protects the filter so it stays cleaner in between cleanings.



Broan AP1 & RP1 Series

Presenting Broan's newest pro-style hoods.

Never before have appearance and value come together so elegantly.

Features common to both models:

- **Brushed stainless steel, black, and white finish options.**
- **9" Pro-style hood height for excellent capture.**
- **Hidden controls.**
- **30" and 36" widths available.**
- **Internal 440 CFM centrifugal blower (<300 CFM with ARP310).**
- **Two-level dual 50-watt maximum halogen lighting (GU10 bulbs purchased separately).**
- **Heat Sentry™ is a smart feature that detects excessive heat and adjusts speed to high automatically.**

- **ENERGY STAR® version on pg 22-23.**

AP1 features:

- **Dishwasher-safe micromesh filters have a special coating to keep the filters looking new over repeated cleanings, and exclusive antimicrobial protection.**
- **Variable speed blower control.**
- **Non-duct recirculation kit available with charcoal filters.**

RP1 features:

- **Dishwasher-safe micromesh filters.**
- **Two-speed blower control.**

Range Hood Specifications

| SERIES | WIDTH | FINISH | | | VOLTS | AMPS | CFM | | SONES | DUCT |
|--------|-------|-----------------|---------|---------|-------|------|----------|---------|------------|------|
| | | STAINLESS STEEL | WHITE | BLACK | | | High | Low | | |
| AP1 | 30" | AP130SS | AP130WW | AP130BL | 120 | 1.9 | 440/120* | 7.0/0.5 | 3 3/4"x10" | |
| | 36" | AP136SS | AP136WW | AP136BL | 120 | 1.9 | 440/120* | 7.0/0.5 | | |
| RP1 | 30" | RP130SS | RP130WW | RP130BL | 120 | 1.9 | 440/120 | 7.0/0.5 | 3 3/4"x10" | |
| | 36" | RP136SS | RP136WW | RP136BL | 120 | 1.9 | 440/120 | 7.0/0.5 | | |

* 299 CFM max with ARP310 reducer plate option.

AP1 Optional Accessories

| NON-DUCT RECIRCULATION KIT | NON-DUCTED FILTER | MAKE-UP AIR DAMPER |
|----------------------------|-------------------|--------------------|
| NDK358 | 88F | MD6TU, MD8TU |

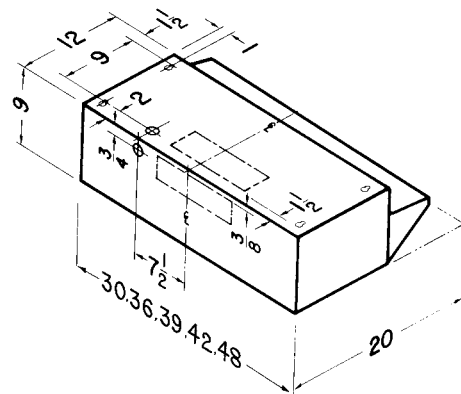




Broan 88000 Series

A simply elegant approach to ventilation.

- Infinite speed slide control with blower memory feature that saves last settings.
- Powerful, quiet 360 CFM, 5.5 sones (vertical discharge) or 350 CFM, 6.0 sones (horizontal discharge) performance, HVI Certified.
- Heat Sentry™ detects excessive heat and adjusts blower speed to high automatically.
- Convertible to ducted or non-ducted operation. Includes 3¼" x 10" damper/ adapter (non-ducted filter sold separately).
- Accepts two 75-watt bulbs (not included).



Range Hood Specifications

| WIDTH | WHITE | BISQUE/ BISCUIT | ALMOND | BLACK | STAINLESS STEEL | WHITE MONOCHROMATIC | NON-DUCTED FILTER | MAKE-UP AIR DAMPER |
|-------|---------|--------------------|--------|--------|--------------------|------------------------|----------------------|-----------------------|
| 30" | 883001 | 883002 | 883008 | 883023 | 883004 | 883011 | 97007662 | MD6TU, MD8TU |
| 36" | 883601 | — | 883608 | 883623 | 883604 | — | 88F | MD6TU, MD8TU |
| 39" | 883901* | — | — | — | 883904* | — | — | MD6TU, MD8TU |
| 42" | 884201 | — | — | 884223 | 884204 | — | — | MD6TU, MD8TU |
| 48" | 884801* | — | — | 884823 | 884804 | — | — | MD6TU, MD8TU |

* Special order models, allow three weeks for order.

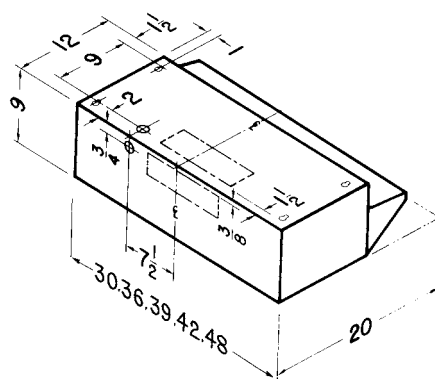
| VOLTS | AMPS | SONES VER. HOR. | CFM VER. HOR. | DUCT |
|-------|------|--------------------|------------------|-----------|
| 120 | 4.5 | 5.5 6.0 | 360 350 | 3¼" x 10" |



Broan 89000 Series

Contemporary lines for a one-of-a-kind kitchen. Clean lines complement the contemporary kitchen or boldly contrast the flowing styles of more traditional settings.

- Higher capacity; developed specifically for use with today's cooktop grills up to 14,000 BTUs.
- 460 CFM, 6.0 sones (vertical discharge) or 440 CFM, 7.0 sones (horizontal discharge) performance, HVI Certified.
- Infinite speed slide control with blower memory feature that saves last settings.
- Standard Heat Sentry™ detects excessive heat and adjusts blower speed to high automatically.
- Designed for either vertical or horizontal ducting. Includes 3¼" x 10" damper/adapter.
- Accepts two 75-watt bulbs (not included).



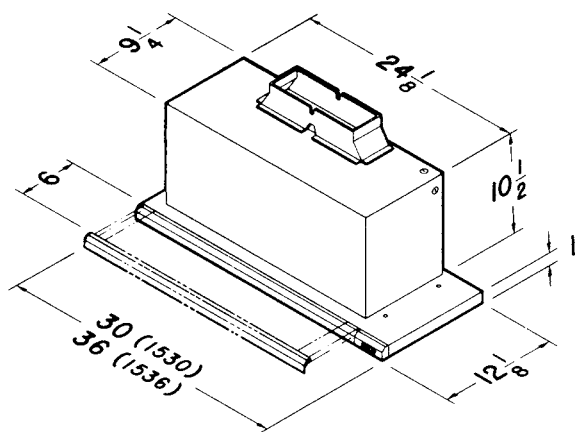
Range Hood Specifications—Special Order Only

| WIDTH | WHITE | BLACK | STAINLESS STEEL | WHITE MONOCHROMATIC | MAKE-UP AIR DAMPER |
|-------|--------|--------|--------------------|------------------------|-----------------------|
| 30" | 893001 | 893023 | 893004 | 893011 | MD6TU, MD8TU |
| 36" | 893601 | 893623 | 893604 | — | MD6TU, MD8TU |
| 39" | 893901 | — | 893904 | — | MD6TU, MD8TU |
| 42" | 894201 | 894223 | 894204 | — | MD6TU, MD8TU |
| 48" | 894801 | — | 894804 | — | MD6TU, MD8TU |

Special order. Allow 3 weeks for delivery.

| VOLTS | AMPS | SONES VER. HOR. | CFM VER. HOR. | DUCT |
|-------|------|--------------------|------------------|-----------|
| 120 | 6.0 | 6.0 7.0 | 460 440 | 3¼" x 10" |





Allow 18" minimum from cooking surface to bottom of hood.

Broan Elite 15000

Slides out of sight when not in use.

- Compact, trim styling complements any kitchen.
- Fan and light automatically turn on when you slide out the clear glass visor; shut off when pushed in.
- Energy-efficient, 24" fluorescent light with prismatic glass lens provides bright, even cooktop lighting (bulb not included).
- Dual centrifugal blower, 300 CFM, at a quiet 4.5 sones, HVI Certified.
- Infinitely adjustable blower control conveniently located up front; features blower memory—when activated, unit automatically "remembers" the last setting you selected.
- Exclusive Heat Sentry™ detects excessive heat and adjusts blower speed to high automatically.
- Includes 3 3/4" x 10" duct adapter with built-in damper.

Range Hood Specifications

| WIDTH | WHITE | BISQUE/BISCUIT | BLACK | STAINLESS* |
|-------|--------|----------------|--------|------------|
| 30" | 153001 | — | 153023 | 153004 |
| 36" | 153601 | 153602† | 153623 | 153604 |

* Brushed aluminum material.

† Available while supplies last.

| VOLTS | AMPS | SONES | CFM | DUCT | BULB** |
|-------|------|-------|------|----------------------|--------|
| 120 | 3.7 | 4.5 | 300+ | 3 3/4" x 10" (vert.) | F20T12 |

** Bulb not included.

+ 299 CFM max with ARP310 reducer plate option.





Broan QML

Sleek, Pro-style under-cabinet canopy range hood with easy to clean, fully enclosed bottom design and dual halogen lighting that provide brilliant cooktop illumination.

- Quiet 2.0 sones at normal speed, 200 CFM high setting, HVI Certified.
- Hidden, easy-to-use two-speed rocker fan control.
- Dual 35-watt halogen lights provide focused lighting for unmatched cooktop visibility with two level intensity (bulbs not included).
- Fully enclosed bottom design and dishwasher safe filter for easy cleaning.
- Offers four-way convertibility: 3-1/4" x 10" (horizontal and vertical), 7" round (vertical) and non-ducted (non-ducted filters sold separately).
- 3-1/4" x 10" damper/duct connector included.
- 7" round duct adapter plate included.

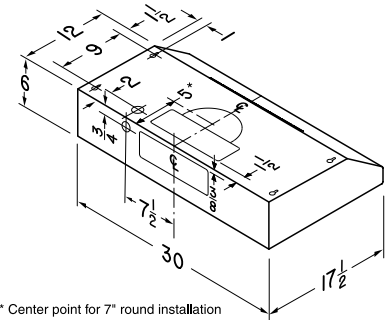
Range Hood Specifications

| WIDTH | STAINLESS STEEL | WHITE | BLACK | VOLTS | AMPS | SONES NORMAL SETTING | SONES HIGH SETTING | CFM NORMAL/HIGH | DUCT |
|-------|-----------------|---------|---------|-------|------|----------------------|--------------------|-----------------|-------------------------|
| 30" | QML30SS | QML30WW | QML30BL | 120 | 1.9 | 2.0 | 5.0 | 130/200 | 3-1/4"x10" OR 7" RD. |

Optional Accessories

NON-DUCTED FILTER

BPQTF



* Center point for 7" round installation



Broan QT20000

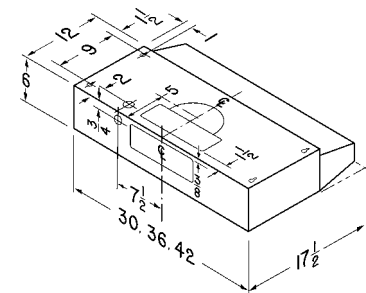
Combines modern styling and quiet operation. Research shows that most people use their range hood less frequently because of loud fan noise. That's why the QT hood was developed.

- Patented air chamber design reduces noise up to 40 percent over conventional hoods; 200 CFM, 4.5 sones (vertical discharge), HVI Certified.
- Convertible versatility. Installs as 3 3/4" x 10" (vertical or horizontal), 7" round (vertical) or non-ducted (non-ducted filter sold separately).
- Infinitely adjustable, rotary speed control.
- Larger filter area captures steam and odors.
- Dual 40-watt lamps increase light distribution; nightlight feature adds safety (lamps not included).
- Includes 3 3/4" x 10" damper/adaptor and 7" round adapter.
- 7" round damper optional.
- BP87 damper sold separately.

Range Hood Specifications

| WIDTH | WHITE MONOCHROMATIC | BISQUE/BISCUIT MONOCHROMATIC | ALMOND MONOCHROMATIC | BLACK | STAINLESS STEEL | NON-DUCTED FILTER | 7" ROUND DAMPER |
|-------|---------------------|------------------------------|----------------------|---------|-----------------|-------------------|-----------------|
| 30" | QT230WW | QT230BC | QT230AA | QT230BL | QT230SS | BPQTF | BP87 |
| 36" | QT236WW | QT236BC | QT236AA | QT236BL | QT236SS | BPQTF | BP87 |
| 42" | QT242WW | QT242BC | QT242AA | QT242BL | QT242SS | BPQTF | BP87 |

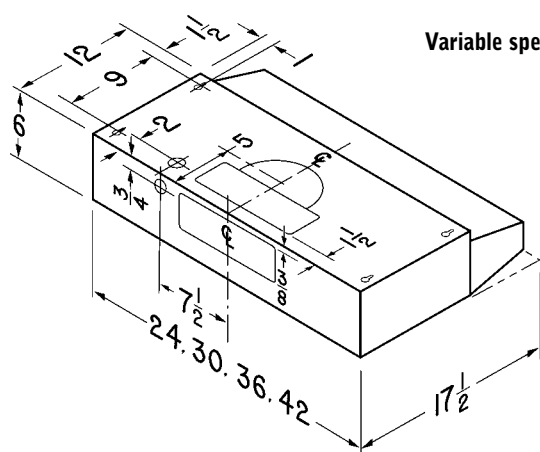
| VOLTS | AMPS | SONES | VER. CFM | DUCT |
|-------|------|-------|----------|--------------------------|
| 120 | 1.7 | 4.5 | 200 | 3 3/4" x 10" OR 7" RD |





Broan 46000

Variable speed performance. Deluxe performance in an economical package. The infinitely adjustable speed control allows you to set the hood speed for the perfect combination of ventilation and quiet.



- 190 CFM, 7.5 sone (3 $\frac{3}{4}$ " x 10") or 220 CFM (7" round), HVI Certified.
- Easily installs as 7" round vertical discharge; 3 $\frac{3}{4}$ " x 10" vertical discharge; 3 $\frac{3}{4}$ " x 10" horizontal discharge or non-ducted (non-ducted filter sold separately).
- Rotary, infinitely adjustable fan-speed control.
- Up to 75-watt cooktop lighting with protective polymeric lens and two-level light control (bulb not included).
- Includes 3 $\frac{3}{4}$ " x 10" damper/adapter and 7" round adapter.
- 7" round damper optional.
- BP87 damper sold separately.

| VOLTS | AMPS | SONES | CFM | DUCT |
|-------|------|-------|-----|-------------------------|
| 120 | 2.5 | 7.5 | 190 | 3 $\frac{3}{4}$ " x 10" |
| | | | 220 | or 7" RD |

Range Hood Specifications

| WIDTH | WHITE | Range Hood Specifications | | | | Optional Accessories | | |
|-------|--------|---------------------------|--------|--------------------|---------|-------------------------|----------------------|--------------------|
| | | BISQUE/ BISCUIT | ALMOND | STAINLESS STEEL | BLACK | WHITE* MONOCHROMATIC | NON-DUCTED FILTER | 7" ROUND DAMPER |
| 24" | 462401 | — | — | 462404 | 462423* | — | 41F | BP87 |
| 30" | 463001 | 463002 | 463008 | 463004 | 463023 | 463011 | 41F | BP87 |
| 36" | 463601 | 463602 | 463608 | 463604 | 463623 | — | 41F | BP87 |
| 42" | 464201 | 464202 | 464208 | 464204 | — | — | 41F | BP87 |

* Special Order: Allow three weeks for delivery.





Broan 43000/F40000

Adapt to any installation. These 4-way convertible range hoods will fit into most all applications. Enclosed light and fan/filter assemblies make for easy cleaning.

43000 Series

- Features enclosed light and fan/filter assembly for easy clean-up.
- Two-speed, rocker-type fan control.
- Powerful 190 CFM, 7.0 sone (3 $\frac{3}{4}$ " x 10" vertical discharge) or 220 CFM, 8.0 sone (7" round discharge) performance.
- Accepts up to 75-watt light (bulb not included).
- Includes 3 $\frac{3}{4}$ " x 10" damper/adaptor and built-in 7" round adapter.

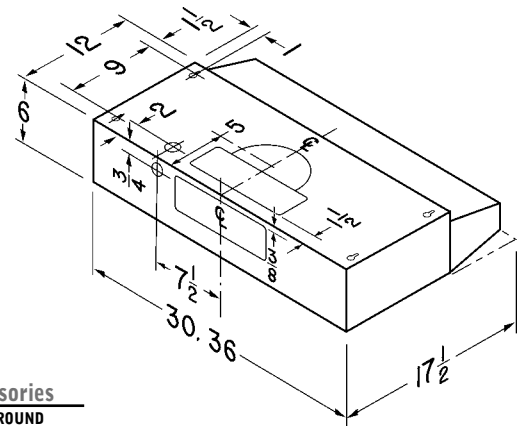
- 7" round damper optional.
- BP87 dampers sold separately.

43000 Specifications

| VOLTS | AMPS | SONES | VER. CFM | DUCT |
|-------|------|-------|----------|-------------------------|
| 120 | 1.8 | 7 | 190 | 3 $\frac{3}{4}$ " x 10" |
| | | 8 | 220 | OR 7" RD |

Optional Accessories

| WIDTH | WHITE | BISQUE/BISCUIT | ALMOND | STAINLESS | BLACK | CHARCOAL | 7" ROUND |
|-------|---------------|----------------|---------------|-----------|--------|----------|----------|
| | MONOCHROMATIC | MONOCHROMATIC | MONOCHROMATIC | STEEL | | FILTER | DAMPER |
| 30" | 433011 | 433022 | 433018 | 433004 | 433023 | BP58 | BP87 |
| 36" | 433611 | 433622 | 433618 | 433604 | 433623 | BP58 | BP87 |



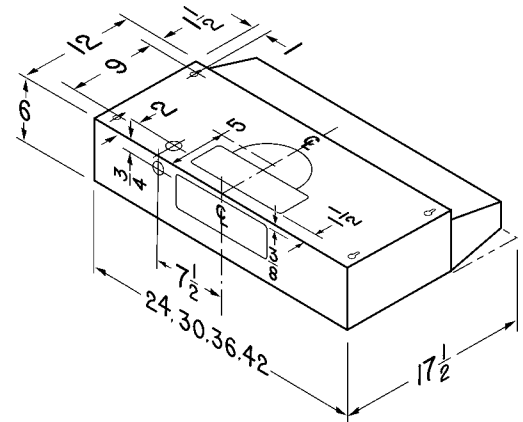
F40000 Series Convertible Range Hoods

- Four-way convertible; installs ducted 3 $\frac{3}{4}$ " x 10" (vertical and horizontal), 7" round (vertical) and non-ducted (non-ducted filter sold separately).
- 160 CFM, 6.5 sone (3 $\frac{3}{4}$ " x 10" discharge) or 190 CFM (7" round discharge) performance – HVI Certified.
- Accepts up to 75-watt light (bulb not included)
- Dishwasher-safe aluminum grease filter.
- Includes 3 $\frac{3}{4}$ " x 10" damper/adaptor and 7" round adapter.

- 7" round damper optional.
- BP87 dampers sold separately.

F40000 Specifications

| VOLTS | AMPS | SONES | CFM | DUCT |
|-------|------|-------|-----|-------------------------|
| 120 | 2.5 | 6.5 | 160 | 3 $\frac{3}{4}$ " x 10" |
| | | 6.5 | 190 | OR 7" RD |



4-Way Convertible

Optional Accessories

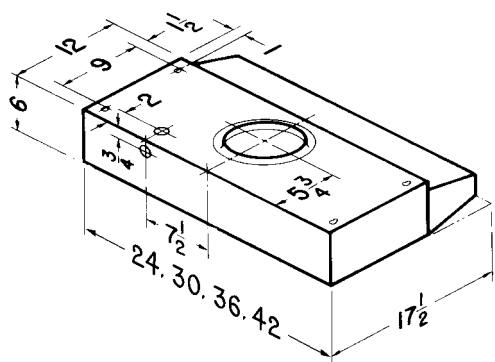
| WIDTH | WHITE | BISQUE/BISCUIT | ALMOND | STAINLESS | BLACK | WHITE | BISQUE/BISCUIT | NON-DUCTED | 7" ROUND |
|-------|---------------|----------------|---------------|-----------|---------|---------------|----------------|------------|----------|
| | MONOCHROMATIC | MONOCHROMATIC | MONOCHROMATIC | STEEL | | MONOCHROMATIC | MONOCHROMATIC | FILTER | DAMPER |
| 24" | F402401 | F402402 | F402408 | F402404 | F402423 | F402411 | F402422 | 41F | BP87 |
| 30" | F403001 | F403002 | F403008 | F403004 | F403023 | F403011 | F403022 | 41F | BP87 |
| 36" | F403601 | F403602 | F403608 | F403604 | F403623 | F403611 | F403622 | 41F | BP87 |
| 42" | F404201 | F404202 | F404208 | F404204 | F404223 | F404211 | F404222 | 41F | BP87 |





Broan 42000/40000/37000

Made to exacting standards. Broan range hoods provide the high quality you expect and the value you demand.



42000 Specifications

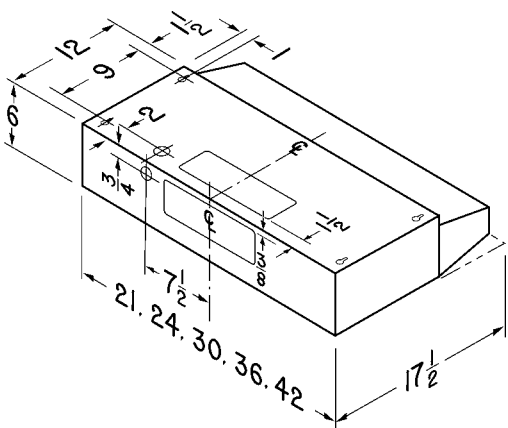
| VOLTS | AMPS | SONES | CFM | DUCT |
|-------|------|-------|-----|-------|
| 120 | 2.5 | 6 | 190 | 7" RD |

42000 Series

- Installs as 7" round ducted only.
- 190 CFM, 6.0 sone (vertical discharge) performance.
- Dishwasher-safe aluminum grease filter.
- Accepts up to 75-watt light (bulb sold separately).
- Built-in 7" adapter included.
- BP87 damper sold separately.

42000 Series 7" Round Ducted

| WIDTH | | | | | | Optional Accessory |
|-------|---------------------|----------------|--------|-----------------|--------|--------------------|
| | WHITE MONOCHROMATIC | BISQUE/BISCUIT | ALMOND | STAINLESS STEEL | BLACK | 7" ROUND DAMPER |
| 24" | 422401 | 422402 | 422408 | 422404 | — | BP87 |
| 30" | 423001 | 423002 | 423008 | 423004 | 423023 | BP87 |
| 36" | 423601 | 423602 | 423608 | 423604 | 423623 | BP87 |
| 42" | 424201 | 424202 | 424208 | 424204 | — | BP87 |



40000 Specifications

| VOLTS | AMPS | SONES | CFM | DUCT |
|-------|------|-------|-----|--------------|
| 120 | 2.0 | 6.5 | 160 | 3 1/4" x 10" |

40000 Series

- Installs as 3 1/4" x 10" ducted only.
- 160 CFM, 6.5 sone (vertical or horizontal discharge) performance.
- Dishwasher-safe aluminum grease filter.
- Accepts up to 75-watt light (bulb sold separately).
- Duct connector with built-in damper included.

40000 Series 3 1/4" x 10" Ducted

| WIDTH | | | | | |
|-------|---------------------|----------------|--------|-----------------|--------|
| | WHITE MONOCHROMATIC | BISQUE/BISCUIT | ALMOND | STAINLESS STEEL | BLACK |
| 21" | 402101 | 402102 | 402108 | — | — |
| 24" | 402401 | 402402 | 402408 | 402404 | — |
| 30" | 403001 | 403002 | 403008 | 403004 | 403023 |
| 36" | 403601 | 403602 | 403608 | 403604 | 403623 |
| 42" | 404201 | 404202 | 404208 | — | — |

37000 Series 6" Shell Only (Utilizes 40000 Series shell, but contains no fan, light or switch knock-outs)

| WIDTH | | | | |
|-------|--------|----------------|--------|-----------------|
| | WHITE | BISQUE/BISCUIT | ALMOND | STAINLESS STEEL |
| 24" | 372401 | — | 372408 | — |
| 30" | 373001 | 373002 | 373008 | 373004 |
| 36" | 373601 | — | — | 373604 |

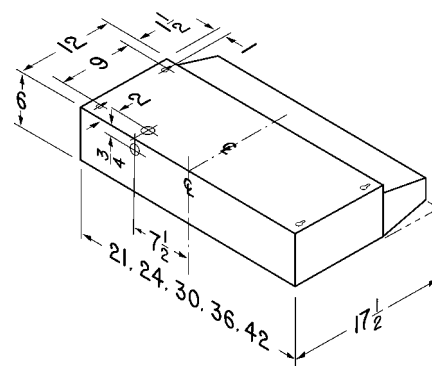
Note: The 37000 Series has no fan, light, switches, or knock-outs for electrical or ducting.



Broan 41000 (Non-Ducted Only)

Made to exacting standards. Broan range hoods provide the high quality you expect and the value you demand.

- Installs as non-ducted only with charcoal filter.
- Accepts up to 75-watt light (bulb sold separately).



Range Hood Specifications (Non-Ducted Only) Optional Accessory

| WIDTH | WHITE MONOCHROMATIC | BISQUE/BISCUIT | ALMOND | STAINLESS STEEL | BLACK | CHARCOAL FILTER |
|-------|---------------------|----------------|--------|-----------------|--------|-----------------|
| 21" | 412101 | 412102 | 412108 | — | 412123 | 41F |
| 24" | 412401 | 412402 | 412408 | 412404 | — | 41F |
| 30" | 413001 | 413002 | 413008 | 413004 | 413023 | 41F |
| 36" | 413601 | 413602 | 413608 | 413604 | 413623 | 41F |
| 42" | 414201 | 414202 | 414208 | 414204 | — | 41F |

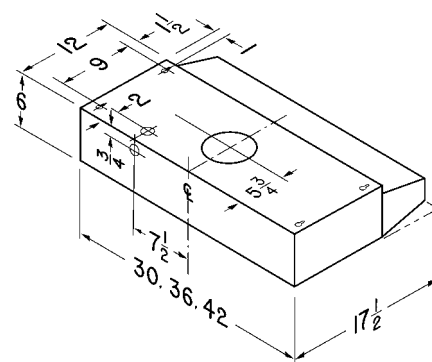
| VOLTS | AMPS | SONES | CFM | DUCT |
|-------|------|-------|-----|------------|
| 120 | 2.0 | N/A | N/A | Non-Ducted |



Broan 52000

Economy Series. Designed to meet the needs of manufactured housing.

- Installs as 5" round (vertical) ducted only.
- Two-speed fan control.
- Accepts up to 75-watt bulb (bulb not included).
- Requires P85 damper/adaptor (purchased separately).
- Washable aluminum filter.
- Mitered sides and hemmed bottom for safety and good looks.
- 5" round damper optional.



Range Hood Specifications Optional Accessory

| WIDTH | WHITE MONOCHROMATIC | BISQUE/BISCUIT | ALMOND | DAMPER/ADAPTER |
|-------|---------------------|----------------|--------|----------------|
| 30" | 523001 | 523002 | 523008 | P85 |
| 36" | 523601 | — | — | P85 |
| 42" | 524201 | — | — | P85 |

| VOLTS | AMPS | SONES | CFM | DUCT |
|-------|------|-------|-----|-------|
| 120 | 2 | 8.0 | 100 | 5" RD |



Broan Accessories



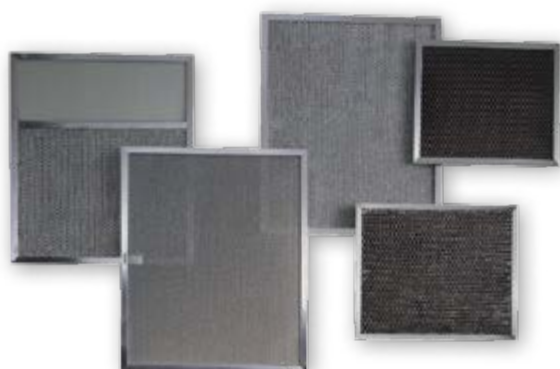
Broan Backsplashes

Help keep your kitchen looking like new with a metal backsplash.

- Provides easy clean-up of cooking splatter.
- Durable finish.
- Attractive, appliance-matching colors:
Reversible White/Almond, Reversible Bisque (Biscuit)/Black.
- Aluminum or 24-gauge stainless steel.
- Available in 24", 30", 36" or 42" widths; all are 24" high.
- Installs easily with four screws.

Backsplash Options

| WIDTH | REVERSIBLE WHITE/ALMOND | STAINLESS STEEL | REVERSIBLE BISQUE (BISCUIT)/BLACK |
|-------|-------------------------|-----------------|-----------------------------------|
| 24" | SP240108 | SP2404 | SP240223 |
| 30" | SP300108 | SP3004 | SP300223 |
| 36" | SP360108 | SP3604 | SP360223 |
| 42" | SP420108 | SP4204 | SP420223 |




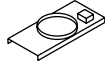
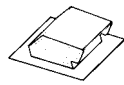


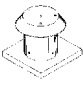

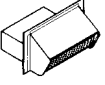
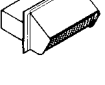




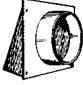
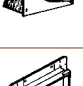
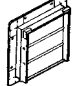





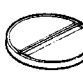


Retail Replacement Filter Packs



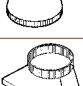



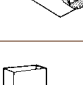
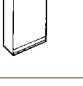


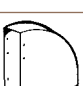
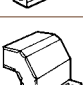



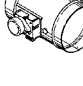


The most popular and commonly used filters are available in consumer-friendly packs. Broan filters are made from the highest quality materials to provide the longest life possible and keep your range hood operating at peak performance. Broan also provides replacement filters for many other brands.

Non-ducted filters should be replaced every 3–6 months or more often if cooking style generates extra grease.

| MODEL | DESCRIPTION | TYPE | FITS SERIES |
|---------------|---|------------------------------------|---|
| BPAPFA | Duct Filter Set (qty 3) | Aluminum | APE, AP1 |
| BPPF30 | Non-ducted Filter Set (qty 2) for 30" EVOLUTION™ | Clean Sense™ Charcoal w/ Indicator | QP1, QP2, QP3 |
| BPPF36 | Non-ducted Filter Set (qty 2) for 36" EVOLUTION™ | Clean Sense™ Charcoal w/ Indicator | QP1, QP2, QP3 |
| BPPF42 | Non-ducted Filter Set (qty 2) for 42" EVOLUTION™ | Clean Sense™ Charcoal w/ Indicator | QP1, QP2, QP3 |
| BPPFA30 | Ducted Filter Set (qty 2) for 30" EVOLUTION™ 1 | Aluminum | QP1 |
| BPPFA36 | Ducted Filter Set (qty 2) for 36" EVOLUTION™ 1 | Aluminum | QP1 |
| BPPFA42 | Ducted Filter Set (qty 2) for 42" EVOLUTION™ 1 | Aluminum | QP1 |
| BPP2FA30 | Ducted Filter Set (qty 2) for 30" EVOLUTION™ 2 | Aluminum | QP2 |
| BPP2FA36 | Ducted Filter Set (qty 2) for 36" EVOLUTION™ 2 | Aluminum | QP2 |
| BPP2FA42 | Ducted Filter Set (qty 2) for 42" EVOLUTION™ 2 | Aluminum | QP2 |
| BPP3FA30 | Ducted Filter Set (qty 2) for 30" EVOLUTION™ 3, 4 | Aluminum | QP3, QP4 |
| BPP3FA36 | Ducted Filter Set (qty 2) for 36" EVOLUTION™ 3, 4 | Aluminum | QP3, QP4 |
| BPP3FA42 | Ducted Filter Set (qty 2) for 42" EVOLUTION™ 3, 4 | Aluminum | QP3, QP4 |
| BPQDE30 | Ducted Filter Set (qty 3) for 30" QDE Series | Aluminum | QDE |
| BPRPFA | Ducted Filter Set (qty 3) | Aluminum | RP1 |
| BPSF30 | Non-Ducted Filter Set (qty 2) for 30" Allure | Clean Sense™ Charcoal w/ Indicator | QS1, QS2, QS3 |
| BPSF36 | Non-Ducted Filter Set (qty 2) for 36" Allure | Clean Sense™ Charcoal w/ Indicator | QS1, QS2, QS3 |
| BPSF42 | Non-Ducted Filter Set (qty 2) for 42" Allure | Clean Sense™ Charcoal w/ Indicator | QS1, QS2, QS3 |
| BPS1FA30 | Ducted Filter Set (qty 2) for 30" Allure I | Aluminum | QS1 |
| BPS1FA36 | Ducted Filter Set (qty 2) for 36" Allure I | Aluminum | QS1 |
| BPS2FA30 | Ducted Filter Set (qty 2) for 30" Allure II | Aluminum | QS2 |
| BPS2FA36 | Ducted Filter Set (qty 2) for 36" Allure II | Aluminum | QS2 |
| BPS3FA30 | Ducted Filter Set (qty 2) for 30" Allure III | Aluminum | QS3 |
| BPS3FA36 | Ducted Filter Set (qty 2) for 36" Allure III | Aluminum | QS3 |
| BPQTF | Non-Ducted Filter | Charcoal | QT20000, QML |
| BPQTAF | Ducted Filter | Aluminum | QT20000, QML |
| 88F | Non-Ducted Filter | Charcoal | 88000 |
| 76F | Non-Ducted Filter | Charcoal | 76000, 75000 |
| 41F | Non-Ducted Filter | Charcoal | 11000, 41000, F40000, 46000 |
| BP29 | Ducted Filter | Aluminum | 11000, 40000, F40000, 42000, 46000, 52000 |
| BP58 | Non-Ducted Replacement Pack (qty 3) | Charcoal pad | 43000 |
| BP57 | Ducted Filter with Charcoal Pad | Aluminum with Light Lens | 43000 |
| RBFIP33 | Baffle Filter Kit for RMIP33 | Stainless Steel | RMIP33 |
| RBFIP45 | Baffle Filter Kit for RMIP45 | Stainless Steel | RMIP45 |
| FILTERE56 | Non-ducted Filter | Charcoal | E159, EW58, EW56 |
| FILTEREB40 | Non-Ducted Filter, Broan Elite | Charcoal | RM50000, RMP17004 |
| FILTERESQUARE | Non-Ducted Filter, Broan Elite | Charcoal | RM51000, RM52000, E55000, E54000, RM53000 |
| ROUNDFILTER | Non-Ducted Filter, Broan Elite | Charcoal | 61000, E60000, E64000 |

Ducting Installation Accessories

| | Stock No. | |
|---|-------------------------------|--|
|  | 35 | Wall Hanging Kit—for mounting hoods to wall when not hung from overhead cabinets. Designed for use with 88,000 46,000 42,000 41,000 40,000 series. |
| AC Cord Kit | HCK44 SHCK44 | HCK44 (10-pack) Electric cord connections kit (Single-pack) Electric cord connections kit |
|  | 332KR | Rough-In Kit, 10" round duct. |
|  | 634 | Paintable roof cap with backdraft damper and bird screen; 3/4" x 10" or up to 8" round duct. Black finish. |
|  | 644 | Aluminum roof cap with backdraft damper and bird screen; 3/4" x 10" or up to 8" round duct. Natural finish. |
|  | 437 | High-capacity roof cap—up to 1200 CFM exhaust. |
|  | 611 | Aluminum roof cap for flat roofs, 8" round duct. |
|  | 612 | Aluminum roof cap for flat roofs, 10" round duct. |
|  | 639 | Paintable wall cap with backdraft damper and bird screen; 3/4" x 10" duct. Black finish. |
|  | WC638 | Paintable wall cap with backdraft damper and bird screen; 3/4" x 14" duct. Black finish. |
|  | 649 | Aluminum wall cap with backdraft damper and bird screen; 3/4" x 10" duct. Natural finish. |
|  | 641 | Aluminum wall cap for 6" round duct, with backdraft damper and bird screen. |
|  | 641FA | Aluminum fresh air inlet wall cap for 6" round duct. |
|  | 647 | Aluminum wall cap for 7" round duct, with damper and bird screen. |
|  | 610FA | 10" Aluminum Fresh air inlet. |
|  | 643 | Aluminum wall cap; 8" round duct with damper. |
|  | 643FA | Aluminum fresh air inlet wall cap for 8" round duct. |
|  | 441 | Wall cap with gravity damper; 13 1/8" sq. fits 10" round duct. |
|  | 457K | Horizontal twin duet kit, for direct horizontal discharge of RM326H Internal blower. |
|  | P85 | 5" vertical discharge damper. |
|  | BP87 | 7" vertical discharge damper. |
|  | BP87Q | 7" round discharge damper. |
|  | 97 | 7" spring-loaded, In-Line damper. |
|  | 438 | 8" round section with In-Line damper. |
|  | 421 | 10" vertical discharge In-Line damper. |

| | Stock No. | |
|---|---------------|---|
|  | 411 | 3/4" x 10" to 6" round transition. |
|  | 412H | 3/4" x 10" to 7" round transition. |
|  | T460 | 3/4" x 14" to 7" round transition. |
|  | 413 | 3/4" x 10" to 8" round transition. |
|  | 459 | 3/4" x 14" to 8" round transition. |
|  | T462 | 3/4" x 14" to 6" round transition. |
|  | T461 | 3/4" x 14" to 3/4" x 10" transition. |
|  | 414 | 8" to 10" expander. |
|  | T487 | 8" to 7" reducer. |
|  | 423 | Vertical transition; 4 1/2" x 18 1/2" to 10" round. |
|  | 424 | Rear transition; 4 1/2" x 18 1/2" to 10" round. |
|  | 427 | Thin wall horizontal transition; 4 1/2" x 18 1/2" to 10" round. |
|  | 453 | Horizontal left transition; 4 1/2" x 18 1/2" to 10" round (right-end boot). |
|  | 454 | Horizontal right transition; 4 1/2" x 18 1/2" to 10" round (left-end boot). |
|  | 889 | 3/4" x 10" duct; 2' section. |
|  | 406 | 6" round duct; 2' section. |
|  | 407 | 7" round duct; 2' section. |
|  | 408 | 8" round duct; 2' section. |
| | 410 | 10" round duct; 2' section. |
| | 428 | 3/4" x 10" vertical elbow. |
| | 429 | 3/4" x 10" horizontal elbow. |
| | 430 | Short eave elbow for 3/4" x 10" duct with backdraft damper and grill. |
| | 431 | Long eave elbow for 3/4" x 10" duct with backdraft damper and grill. |
| | 419 | 6" adjustable elbow (individual). |
| | 415 | 7" adjustable elbow (carton of four). |
| | 432 | 8" adjustable elbow (individual). |
| | 418 | 10" adjustable elbow (individual). |
| | MD6S | 6" Slave Make-Up Air Damper. |
| | MD8S | 8" Slave Make-Up Air Damper. |
| | MD10S | 10" Slave Make-Up Air Damper. |
| | MD6T | 6" Broan Make-Up Air Damper. |
| | MD8T | 8" Broan Make-Up Air Damper. |
| | MD10T | 10" Broan Make-Up Air Damper. |
| | MD6TU | 6" Universal Make-Up Air Damper. |
| | MD8TU | 8" Universal Make-Up Air Damper. |
| | MD10TU | 10" Universal Make-Up Air Damper. |

Make-up Air Dampers

Broan® Automatic Make-Up Air Dampers are the first to provide synchronized operation for kitchen, bath and whole-house ventilation products. Installation is simple and requires no special wiring. Intelligent design options ensure optimum performance in a variety of installations and applications. Highly effective and affordable, Broan Automatic Make-Up Air Dampers strike the perfect balance to keep you and your home breathing easy.



- Economical, ruggedly constructed galvanized motorized damper
- Can be controlled by more than one Broan ventilation product
- Damper opens automatically to replace the air being exhausted by ventilation fans or range hoods, and then closes tightly when ventilation fans are turned off
- Prevents excess air from entering the home during heating or cooling operation, reducing energy consumption
- Interlocked systems meet IRC code requirements for make-up air with range hoods
- Fresh air inlets are required—see the table below

MD6TU/MD8TU/MD10TU Universal Design

- Works with any Broan range hood over 300 CFM.
- Provides interlocked make-up air
- No direct wire connection required.
- Requires use of Broan fresh air inlets.

MD6T/MD8T/MD10T

- Works with Broan range hood models: EI59, EW56, EW58, E64, E60, QP4 and QP3.
- Requires direct wire to hood
- Requires use of Broan fresh air inlets.

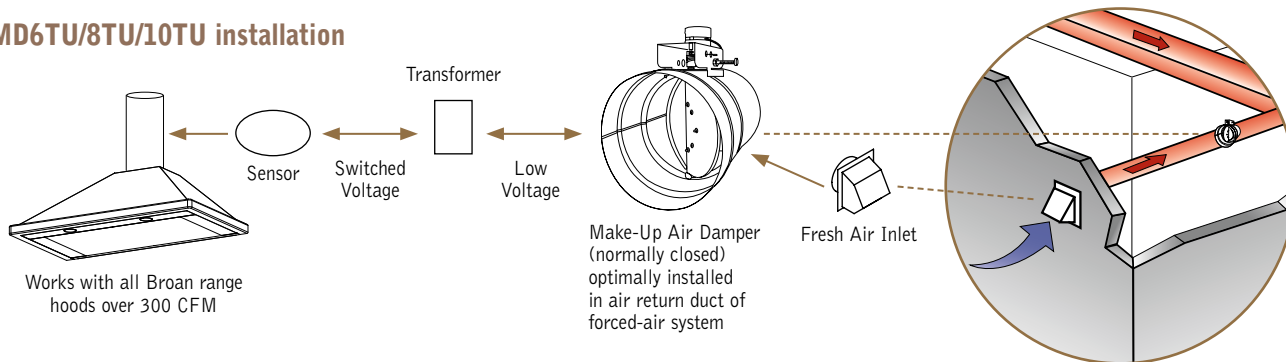
Fresh air inlets (required)

| DAMPER MODEL | DIAMETER | FRESH AIR INLET MODEL |
|----------------|----------|-----------------------|
| MD6TU / MD6T | 6" | 641FA |
| MD8TU / MD8T | 8" | 643FA |
| MD10TU / MD10T | 10" | 610FA |

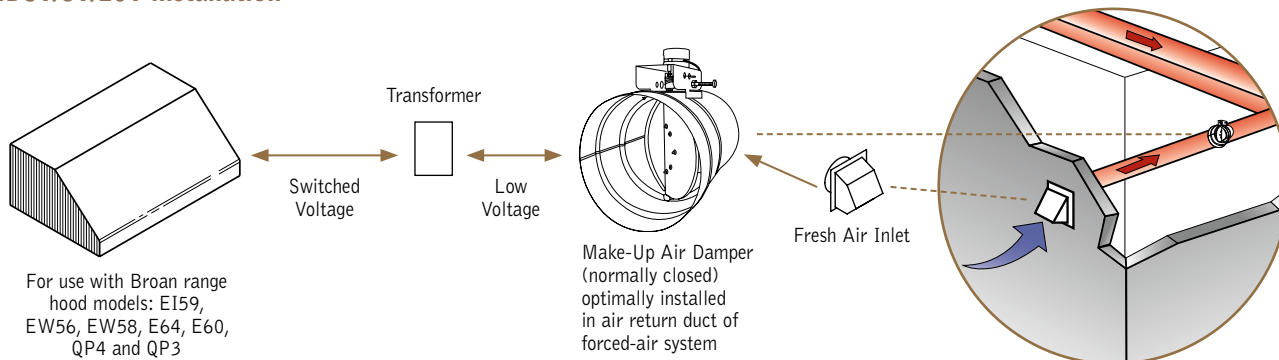
Online Range Hood Make-Up Air Specifying Tool guides the design of the right make-up air damper system for any home.

Try it at Broan.com/tools-landing-page.

MD6TU/8TU/10TU installation



MD6T/8T/10T installation



External, Exterior Blowers*

Our Exterior blowers offer you powerful ventilation performance at its very quietest, and something you won't find anywhere else—Broan quality.

- Reduce kitchen noise by locating your range hood blower outdoors.
- For use with our professional style Broan Elite E64000, E60000 and EX Series chimney hoods, downdrafts, RMPE Power Pack and RMIP Inserts.
- Ideal for custom hoods—use the 72W (6 amp variable speed) wall control for remote control of External blowers.
- The 332H is recommended for the Eclipse downdraft.
- Residential design fits unobtrusively on home exterior.
- Durable, weather-resistant, all-aluminum construction that mounts on the roof or outside wall.
- Safety screen keeps small animals and debris away from blower and motor.

Model 331H/332H

All Exterior blowers can be installed on the roof or to an outside wall for the ultimate in quiet, high performance kitchen ventilation.

Quietest sound level is achieved when the blower is mounted at least 10' from the hood location and incorporates a 90° elbow in the duct run.



331H (600 CFM)



335 (1200 CFM)



332H (900 CFM)



336 (1500 CFM)

External, In-Line Blowers* This quiet performance solution is a perfect alternative to Internal or Exterior blowers. Works with all Broan range hoods designed for use with External blowers.



HLB3 (280 CFM)
HLB6 (600 CFM)
HLB9 (800 CFM)
HLB11 (1100 CFM)



- Powerful and quiet, In-Line blowers are available in a range of CFM ratings to match your cooking preferences and ventilation requirements.
- Installs remotely in the interior of the home – not restricted by local exterior home codes or service concerns for roof-mounted exterior applications.
- 8-position mounting brackets, or suspends with special suspension chains (hanger kit included).
- Designed to work independently from Internal or Exterior blowers, this is not a boost blower—the HLB series needs no other blowers in the system.
- Specially designed resilient motor mounts and housing isolation mounts prevent vibration noise.
- Flexible duct design allows straight-through or right-angle connections with built-in damper.
- Includes 10" round ductwork transition(s).

Internal Blower*

Broan Elite Internal blowers provide high ventilation and durable construction to meet the needs of professional-style cooking appliances for the home.

P5 (460 CFM vertical)
P8 (850 CFM vertical)



- The P5 and P8 are designed for use with Broan Elite RMIP Inserts.
- All blowers are designed for quiet operation using the finest motors and balance wheels.
- Rough-In Kits are included to make the installation clean and simple.

*Broan internal and external blowers are designed and UL Listed for use with Broan products only. Use with other manufacturers' products cannot be recommended.

Broan range hoods can be used to comply with California's Title 24.

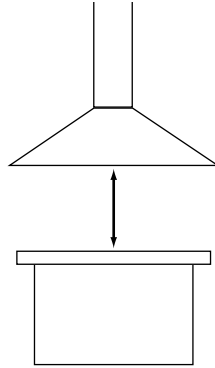
BROAN[®] Elite Installation and blower selection guidelines

1. Distance from cooking surface:

For optimal performance, the distance from the cooking surface to the bottom of the range hood should be between 24" to 30", unless otherwise noted. DO NOT install a Broan Elite range hood less than 24" above cooking surface.

To maintain hood performance at heights greater than the recommended range, use the following guidelines:

- For every 3" increase in installation height, add 100 CFM to the minimum exhaust requirement and/or a minimum of 3" to the hood/liner width (may require going to the next hood width).



2. Range hood width:

The hood should never be less than the width of the cooktop.

3. Required blower CFM based on cooktop BTU output.

- For gas cooktops UNDER 60,000 BTUs or electric, choose a blower with a minimum of 100 CFM per lineal foot of your cooktop width. For example, a 36" wide cooktop requires a blower with a minimum of 300 CFM.
- High heat cooking or aromatic foods may require additional CFM. Always check with the range manufacturer. NOTE: Increasing capture area by 3" on each side is also a recommended way to address this issue.

- As a means to estimate the approximate CFM requirement for gas cooktops OVER 60,000 BTUs, choose a blower with 1 CFM per 100 BTU of cooktop output. To quickly calculate this number, add the BTU output from all burners and drop the last two zeros. For example, if the total BTU output of the cooktop burners is 65,000 BTUs, choose a blower with at least 650 CFM.

4. Additional CFM needs for a Grill or Griddle:

If your cooktop has a grill or griddle, ADD 200 CFM to your estimated CFM needs as calculated in step 3. For example, if your cooktop BTU output requires a 650 CFM blower, add 200 CFM for a total of 850 CFM.

Installation Example:

A consumer purchases a cooktop with these specifications:

- Four burner, 36" cooktop
- Burner output is 60,000 BTU
- The cooktop features a grill
- Installation requirements call for the range hood to be 33" over the range (3" above recommended maximum height)

Blower CFM Option 1: (Using the guidelines above)

The blower must equal a minimum of 600 CFM (60000 BTU) + 200 CFM (for Grill requirement) + 100 CFM (for 3" of installation height) = 900 CFM

Blower CFM Option 2: (Using the guidelines above)

Select a range hood that is a minimum of 3" WIDER than the cooktop, a minimum 600 CFM (60000 BTU) + 200 CFM (for Grill requirement) = 800 CFM

Internal, In-Line and Exterior blower specifications table

| MODEL | MOUNTING | CFM | HVI | VOLTS | AMPS | ROUGH-IN DUCT | INLET/OUTLET | DIRECTION | MOTOR TYPE |
|---------|----------|------------|-----|-------|------|---------------|--------------------|-----------|--------------|
| P5 | Internal | 460V/500H | Y | 120 | 1.8 | 3¼" x 10" | — | V or H | — |
| P8 | Internal | 850V/900H | Y | 120 | 3.4 | 3¼" x 14" | — | V or H | — |
| 331H** | Exterior | 600 | Y | 120 | 2.3 | 10" Round | — | — | Single-Speed |
| 332H** | Exterior | 900 | Y | 120 | 5.8 | 10" Round | — | — | Single-Speed |
| 335** | Exterior | 1200 | Y | 120 | 3.0 | 10" Round | — | — | Single-Speed |
| 336** | Exterior | 1500 | Y | 120 | 3.8 | 10" Round | — | — | Single-Speed |
| HLB3**^ | In-Line | 280/260* | Y | 120 | 2.6 | — | 8" or 10"/8" Round | V or H | Single-Speed |
| HLB6** | In-Line | 600/600* | Y | 120 | 2.9 | — | 10"/10" Round | V or H | Single-Speed |
| HLB9** | In-Line | 800/700* | Y | 120 | 3.0 | — | 10"/10" Round | V or H | Single-Speed |
| HLB11** | In-Line | 1100/1000* | Y | 120 | 5.0 | — | 10"/10" Round | V or H | Single-Speed |

** Model 332KR Rough-In Kit required for installation with hood series E60000, E64000, RM60000 and RMIP (Model 421 10" In-Line damper recommended for Exterior blowers).

* Straight CFM/Right angled CFM (rated with transitions provided).

† Transitions provided with unit.

^ Not recommended for use with grill applications.



| | SERIES | CAT. PAGE | DESCRIPTION | FINISHES (may not be in all widths) | LIGHTING | CONTROL FEATURES | CONTROL TYPE | AIR-MOVER TYPE | WIDTH (inches) | MOUNT TYPE | |
|---------------------|------------------------|--------------------|---|---|---|--|--|---|---|----------------|---------------|
| | | | | | | | | | | | |
| UNDER CABINET HOODS | 15000 | 41 | Slide Out Hood | WW, BL, SS | 24" Fluorescent F20T12 | Variable speed Heat Sentry™ | Slide | Dual Centrifugal Blower | 30, 36 | Under Cabinet | |
| | 37000 | 45 | Range Hood Shell | WW, BT, AL, SS | na | na | na | na | 24, 30, 36 | Under Cabinet | |
| | 52000 | 46 | Mfg. Hsg. Range Hood | WW, BT, AL | Single 75W Incandescent | 2 speed | Rocker | Fan | 30 | Under Cabinet | |
| | 40000 | 45 | Range Hood | WW, BT, AL, SS, BL | Single 75W Incandescent | 2 speed | Rocker | Fan | 21, 24, 30, 36, 42 | Under Cabinet | |
| | F40000 | 44 | Range Hood | WH, BT, AL, SS, BL, WW, BC | Single 75W Incandescent | 2 speed | Rocker | Fan | 24, 30, 36, 42 | Under Cabinet | |
| | 41000 | 46 | Range Hood | WW, BT, AL, SS, BL | Single 75W Incandescent | 2 speed | Rocker | Fan | 21, 24, 30, 36, 42 | Under Cabinet | |
| | 42000 | 45 | Range Hood | WW, BT, AL, SS, BL | Single 75W Incandescent | 2 speed | Rocker | Fan | 24, 30, 36, 42 | Under Cabinet | |
| | 43000 | 44 | Range Hood | WW, BC, AA, SS, BL | Enclosed Single 75W Incandescent | 2 speed | Rocker | Fan | 30, 36 | Under Cabinet | |
| | 46000 | 43 | Range Hood | WH, BT, AL, SS, BL, WW | Single 75W Incandescent | Variable speed Hi/Low light | Rotary | Fan | 24, 30, 36, 42 | Under Cabinet | |
| | QML | 42 | Range Hood | WW, SS, BL | Halogen Dual 35W MR16 GU10 | 2 speed | Rocker | 8" Axial Blade | 30" | Under Cabinet | |
| | QT20000 | 42 | Range Hood | WW, BC, AA, SS, BL | Enclosed Dual 40W A15 | Variable speed Hi/Low light | Rotary | 8" Axial Blade | 30, 36, 42 | Under Cabinet | |
| | 88000 | 40 | Range Hood | WH, BT, AL, SS, BL, WW | Enclosed Dual 75W Incandescent | Variable speed Hi/Low light | Slide | Dual Centrifugal Blower | 30, 33, 36, 39, 42, 48 | Under Cabinet | |
| | 89000 | 40 | Range Hood | WH, AL, SS, BL, WW | Enclosed Dual 75W Incandescent | Variable speed Hi/Low light | Slide | Dual Centrifugal Blower | 30, 33, 36, 39, 42, 48 | Under Cabinet | |
| | AP1/RP1 | 39 | Range Hood | SS, BL, WW | Halogen Dual 50W MR16 GU10 | Variable speed Heat Sentry™ Two-Level Lights | Rotary Rocker | Centrifugal Blower | 30, 36 | Under Cabinet | |
| | QS1 (Allure I) | 36, 37 | Range Hood | WW, BC, AA, SS, BL | Halogen Dual 50W PAR20 | 2 speed w/ ON indicator Hi/ Low light | Rocker | 10" Axial Blade | 30, 36, 42 | Under Cabinet | |
| | QS2 (Allure II) | 36, 37 | Range Hood | WW, BC, AA, SS, BL | Halogen Dual 50W PAR20 | 3 speed w/ LED indicator Hi/ Med/Low light Heat Sentry™ | Electronic Push | Centrifugal Blower | 30, 36, 42 | Under Cabinet | |
| | QS3 (Allure III) | 36, 37 | Range Hood | WW, BC, AA, SS, BL | Halogen Dual 50W PAR20 | 3 speed + Boost Delay-off Filter Indicator Hi/Med/Low light Advanced Heat Sentry™ | Electronic Push | Centrifugal Blower | 30, 36, 42 | Under Cabinet | |
| | QP1 (Evolution™ 1) | 35 | Range Hood | WW, SS, BL | Halogen Quad 35W MR16 GU10 | 2 speed + Boost Hi/Low light | Rocker | Centrifugal Blower | 30, 36 | Under Cabinet | |
| | 42" QP1 (Evolution™ 1) | 35 | Range Hood | WW, SS, BL | Halogen Quad 35W MR16 GU10 | 2 speed + Boost Hi/Low light | Rocker | Centrifugal Blower | 42 | Under Cabinet | |
| | QP2 (Evolution™ 2) | 35 | Range Hood | WW, BC, SS, BL | Halogen Quad 50W MR16 GU10 | 3 speed w/ LED indicator Hi/ Med/Low light Advanced Heat Sentry™ | Soft Touch Electronic Push | Centrifugal Blower | 30, 36, 42 | Under Cabinet | |
| | QP3 (Evolution™ 3) | 34 | Range Hood | WW, SS, BL | Halogen Quad 50W MR16 GU10 | 3 speed + Boost Delay-off Filter Indicator 4 setting light/clock/timer Advanced Heat Sentry™ | Advanced Electronic Push w/ Digital Display Optional Remote Control | Centrifugal Blower with Makeup Air Damper Interlock | 30, 36, 42 | Under Cabinet | |
| | HIGH PERFORMANCE HOODS | QP4 (Evolution™ 4) | 33 | Range Hood | SS | Halogen Quad 50W MR16 GU10 | 3 speed + Boost Delay-off Filter Indicator 4 setting light/clock/timer Advanced Heat Sentry™ | Advanced Electronic Push w/ Digital Display Optional Remote Control | Centrifugal Blower with Makeup Air Damper Interlock | 30, 36, 42 | Under Cabinet |
| | | E661 | 32 | Range Hood | SS, WH, BL 42" SS only | Dual 50W MR16 GU10 | 3 speed+boost, Delay-off, Heat Sentry™ | Electronic Push | High flow wheel | 30, 36, 42 | Under Cabinet |
| | | E60000 | 28, 29 | Professional Style Hood Choice of Internal & External Blowers | SS | Halogen 50W Lamps 2/3 MR16 GU10 | Variable speed Heat Sentry™ Power-on LED Indicator Hi/Lo Light | Rotary | Centrifugal Blower | 30, 36, 42, 48 | Wall |
| E64000 | | 26, 27 | Professional Style Hood Choice of Internal & External Blowers | SS | Halogen 50W Lamps 2/3 MR16 GU10 | Variable speed Heat Sentry™ Power-on LED Indicator Hi/Lo Light | Rotary | Centrifugal Blower | 30, 36, 42, 48 | Under Cabinet | |
| EPD61 | | 30, 31 | Outdoor Range Hood | SS | Halogen Dual or Tri 50W MR16 GU10 | 3 speed | Rotary | Dual Centrifugal Blower | 36, 48 | Wall | |
| ENERGY STAR | ENERGY STAR APE | 24, 25 | Range Hood | SS | Single compact 26W fluorescent with 4W incandescent GX24Q-3 | Variable speed Heat Sentry™ Two-Level Lights | Rotary Rocker | Centrifugal Blower | 30 | Under Cabinet | |
| | ENERGY STAR QDE | 24, 25 | Range Hood | SS, WW | Dual compact 13W fluorescent bulbs G24Q-1 | 2 speed | Rocker | Centrifugal Blower | 30 | Under Cabinet | |
| | ENERGY STAR QSE | 24, 25 | Range Hood | SS, BL, WW | Single compact 26W fluorescent with 4W incandescent GX24Q-3 | 2 speed w/ ON indicator Hi/ Low light | Rocker | 10" Axial Blade | 30 | Under Cabinet | |
| | ENERGY STAR PME300 | 23 | Power Module | Silver | Dual compact 13W fluorescent bulbs G24Q-1 | 3 speed | Slide | Centrifugal Blower | 20-½ | Built-In | |
| | ENERGY STAR RME50000 | 23 | Chimney Hood | SS | Dual compact 13W fluorescent bulbs G24Q-1 | Multi-speed Heat Sentry™ | Slide | Centrifugal Blower | 30 | Wall | |

* Mounting Height is measured from the top of the cooktop to the bottom of the Hood. **Except for QS and QP Series which is measured from the top of the hood to the top of the cooktop.**

** Visible height of Chimney when in the raised position.

*** Minimum Height is 24" when using optional RMP series backsplash.

† SS=430 Stainless Steel, BL=Black on Black, AL=Almond w/Black Trim, AA=Almond on Almond, BT=Bisque/Biscuit w/Black Trim, BC=Bisque/Biscuit on Bisque/Biscuit, WW=White on White, WH=White w/Black Trim.

†† (Normal Setting).

Note: "Bisque/Biscuit" is a new color name for "Biscuit." The actual color remains unchanged.

| MOUNTING HEIGHT* | VISIBLE SHELL HEIGHT (inches) | CEILING HEIGHT MAX | BULB INCLUDED | DUCT | FILTERS INCLUDED | CFM/SONES VERT. RECT. | CFM/SONES HORIZ. RECT. | CFM/SONES VERT. ROUND | HVI CERTIFIED |
|------------------------------------|-------------------------------|--------------------|---------------|---|---|--|--|--|---------------|
| 18"-24" | 1 | na | no | 3-1/4" x 10" (V) | MicroFoam | 300/4.5 | — | — | Y |
| 18"-24" | 6 | na | na | Shell only | na | — | — | — | — |
| 18"-24" | 6 | na | no | 5" round (V) | Aluminum | — | — | 100/8.0 | Y |
| 18"-24" | 6 | na | no | 3-1/4" x 10" (V, H) | Aluminum | 160/6.5 | 160/6.5 | — | Y |
| 18"-24" | 6 | na | no | 3-1/4" x 10" (V, H) 7" round (V) Non-ducted | Aluminum | 160/6.5 | 160/6.5 | 190/6.5 | Y |
| 18"-24" | 6 | na | no | Non-ducted | Charcoal | — | — | — | — |
| 18"-24" | 6 | na | no | 7" round (V) | Aluminum | — | — | 190/6.0 | Y |
| 18"-24" | 6 | na | no | 3-1/4" x 10" (V, H) 7" round (V) Non-ducted | Aluminum w/ Light Lens | 190/7.0 | 160/7.0 | 220/8.0 | Y |
| 18"-24" | 6 | na | no | 3-1/4" x 10" (V, H) 7" round (V) Non-ducted | Aluminum | 190/7.5 | 190/7.5 | 220/7.5 | Y |
| 18"-24" | 6 | na | no | 3-1/4" x 10" (V, H) 7" round (V) Non-ducted | Aluminum | 200/5.0 (130/2.0) | 190/4.5 (110/1.5) | 250/9.5 (120/2.0) | Y |
| 18"-24" | 6 | na | no | 3-1/4" x 10" (V, H) 7" round (V) Non-ducted | Aluminum | 200/4.5 | 170/4.5 | 220/4.5 | Y |
| 18"-24" | 9 | na | no | 3-1/4" x 10" (V, H) Non-ducted | Aluminum | 360/5.5 | 350/6.0 | — | Y |
| 18"-24" | 9 | na | no | 3-1/4" x 10" (V, H) | Aluminum | 460/6.0 | 440/7.0 | — | Y |
| 18"-24" | 9 | na | no | 3-1/4" x 10" (V, H) | MicroMesh with Antimicrobial Protection MicroMesh Standard Aluminum | 440/7.0 (120/0.5) | 440/7.0 (120/0.5) | — | Y |
| 24"-30" see note* | 7-1/4" | na | no | 3-1/4" x 10" (V, H) 7" round (V) Non-ducted | Aluminum | 210/5.0 (110/1.5)** | 220/5.0 (110/1.5)** | 230/5.0 (120/1.5)** | Y |
| 24"-30" see note* | 7-1/4" | na | no | 3-1/4" x 10" (V, H) 7" round (V) Non-ducted | MicroMesh Aluminum | 280/5.5 (110/1.0)** | 300/4.5 (100/0.9)** | 280/5.0 (110/0.8)** | Y |
| 24"-30" see note* | 7-1/4" | na | no | 3-1/4" x 10" (V, H) 7" round (V) Non-ducted | Professional Aluminum | 280/5.5 (110/0.3)** Boost 380 | 300/4.5 (100/0.4)** Boost 430 | 270/5.5 (100/0.4)** Boost 350 | Y |
| 24"-30" see note* | 6-3/4" | na | no | 3-1/4" x 10" (V, H) 7" round (V) Non-ducted | Mid-mesh Aluminum with Antimicrobial Protection | 290/5.0 (120/0.8) | 300/5.0 (120/0.8) | 250/5.0 (120/0.8) | Y |
| 24"-30" see note* | 7-1/4" | na | no | 3-1/4" x 10" (V, H) 7" round (V) Non-ducted | Mid-mesh Aluminum with Antimicrobial Protection | 280/5.0 (100/0.8) | 300/5.0 (100/0.8) | 260/5.5 (90/0.8) | Y |
| 24"-30" see note* | 7-1/4" | na | yes | 3-1/4" x 10" (V, H) 7" round (V) Non-ducted | Aluminum MicroMesh with Antimicrobial Protection | High 310/6.0 Med. 220/2.5 Low 100/0.6 | High 350/5.0 Med. 240/2.5 Low 100/0.6 | High 280/6.0 Med. 200/2.5 Low 100/0.6 | Y |
| 24"-30" see note* | 7-1/4" | na | yes | 3-1/4" x 10" (V, H) 7" round (V) Non-ducted | Aluminum Premium Mesh with Antimicrobial Protection | Boost 390/7.5 High 320/5.5 Med. 210/2.0 Low 100/<0.3 | Boost 450/7.0 High 470/4.5 Med. 230/1.5 Low 100/<0.3 | Boost 340/7.0 High 360/4.5 Med. 200/2.0 Low 100/<0.3 | Y |
| 30"-36" see note* | 7-1/4" | na | yes | 3-1/4" x 14" (V, H) 7" round (V) | Premium Mesh with Antimicrobial Protection | Boost 570/7.0 High 430/4.5 Med. 280/1.5 Low 160/<0.3 | Boost 630/7.5 High 470/4.5 Med. 290/1.5 Low 150/<0.3 | Boost 460/7.0 High 360/4.5 Med. 230/1.5 Low 130/<0.3 | Y |
| 24"-30" | 5-3/8" | na | no | 3-1/4" x 14" (V, H) | MicroMesh Aluminum | 120/0.4 290/2.5 550/8.5 | 130/<0.3 310/2.5 600/8.5 | — | Y |
| 24"-30" | 18 | 8' | no | Internal 3-1/2" x 10" (V, H) or 4-1/2" x 18-1/2" (V, H) External 10" round (V, H) | SS Baffle | 600/13 (150/1.5) 1200/14.5 (350/2) External 280-1500 | 600/13 (150/1.5) 1200/14.5 (350/2) External 280-1500 | — | Y |
| 20"-30" electric*** 24"-30" gas | 10 | na | no | Internal 3-1/2" x 10" (V, H) or 4-1/2" x 18-1/2" (V, H) External 10" round (V, H) | SS Baffle | 600/13 (150/1.5) 1200/14.5 (350/2) External 280-1500 | 600/13 (150/1.5) 1200/14.5 (350/2) External 280-1500 | — | Y |
| 24"-30" | 18 | 10' | yes | 10" round (V) | SS Baffle | — | — | 1100/11.0 | Y |
| 20"-30" electric 24"-36" gas | 9 | na | yes | 3-1/4" x 10" (V, H) | MicroMesh Standard Aluminum | 440/7.0 (200/0.7) | 440/7.0 (200/0.9) | — | Y |
| 18"-24" | 4-3/8" | na | yes | 3-1/4" x 10" (V, H) | Dishwasher-safe Aluminum | 250/6.0 (120/1.1) | 290/5.5 (130/0.8) | — | Y |
| 24"-30" see note* | 7-1/4" | na | yes | 3-1/4" x 10" (V, H) 7" round (V) | Aluminum | 210/5.5 (130/2.0)** | 210/5.0 (110/1.5)** | 220/5.5 (130/2.0)** | Y |
| 24"-30" | 3-3/8" | na | yes | 6" round (V) | Aluminum | — | — | 290/5.0 (130/0.5) | Y |
| 24"-30" | 11-1/16" | 8'-9" Opt. 10' | yes | 6" round (V) | Aluminum | — | — | 290/5.5 (130/0.5) | Y |



HVI-2100 CERTIFICATION

Broan range hoods are tested and certified by the Home Ventilating Institute. This is your assurance that each Broan unit has been tested and found to consistently deliver the air and sound performance specified.

■ Refers to ENERGY STAR Homes V3, HVAC System Quality Installation Rater Checklist items 8.1 and 9.1.

Broan range hoods can be used to comply with California's Title 24.

| | SERIES | CAT. PAGE | DESCRIPTION | FINISHES (may not be in all widths) | LIGHTING | CONTROL FEATURES | CONTROL TYPE | AIR-MOVER TYPE | WIDTH (inches) | MOUNT TYPE |
|------------------------------|---------|-----------|---------------------------------------|--|--------------------------------|---|---------------------------------|--|----------------|----------------------|
| POWER PACKS AND POWER MODELS | PM250 | 20, 21 | Power Module | Silver | Enclosed Dual 40W Candelabra | 2 speed | Rocker | Fan | 20-½ | Built-In |
| | PM390 | 20, 21 | Power Module | Silver | Enclosed Dual 40W Candelabra | 3 speed | Slide | Centrifugal Blower | 20-½ | Built-In |
| | PM500SS | 20, 21 | Power Pack | SS | Halogen Dual 20W JC/G4 | 3 speed | Pushbutton | Centrifugal Blower | 20-½ | Built-In |
| | 103023 | 20, 21 | Custom Hood Kit | BL | 24" Fluorescent | Variable speed Heat Sentry™ | Rotary | Dual Centrifugal Blower | 30-42 | Built-In |
| | RMP1 | 18, 19 | Power Pack | SS | Halogen Dual 50W MR16 GU10 | Variable speed Heat Sentry™ | Slide | Centrifugal Blower | 27-¾ | Built-In |
| | RMPE | 18, 19 | Power Pack External Blower | SS | Halogen Dual 50W MR16 GU10 | Variable speed Heat Sentry™ | Slide | Centrifugal Blower | 27-¾ | Built-In |
| DOWNDRAFTS | RMIP | 18, 19 | Pro-Style Insert | SS | Halogen Dual 50W PAR20 | Variable speed Heat Sentry™ Two-Level Lights | Rotary | Centrifugal Blower | 32-¾, 44-¾ | Built-In |
| | 27000 | 17 | Downdraft | SS, (WH, BT, BL) | na | Variable speed | Rotary | Centrifugal Blower | 30, 36 | Under Counter |
| | 28000 | 17 | Downdraft External Blower | SS, (WH, BT, BL) | na | Variable speed | Rotary | Centrifugal Blower | 30, 36 | Under Counter |
| | RMDD | 16 | Broan Elite Downdraft | SS | na | Variable speed | Rotary | Centrifugal Blower | 30, 36, 48 | Under Counter |
| CHIMNEY HOODS | RMDDEX | 16 | Broan Elite Downdraft External Blower | SS | na | Variable speed | Rotary | Centrifugal Blower | 30, 36, 48 | Under Counter |
| | RM50000 | 14, 15 | Chimney Hood | SS, WH, BL | Incandescent Dual 40W | Multi-speed Heat Sentry™ | Slide | Centrifugal Blower | 30, 35-¾ | Wall |
| | RM51000 | 14, 15 | Chimney Hood | SS | Halogen Dual 20W JC/G4 | Multi-speed Heat Sentry™ | Slide | Centrifugal Blower | 35-¾ | Wall |
| | RM52000 | 14, 15 | Chimney Hood | SS | Halogen Dual 20W JC/G4 | Multi-speed Heat Sentry™ | Slide | Centrifugal Blower | 30, 36, 42 | Wall |
| | RM53000 | 12, 13 | Chimney Hood | SS | Halogen Dual 20W JC/G4 | Multi-speed Heat Sentry™ | Slide | Centrifugal Blower | 30, 36, 42 | Wall |
| | E54000 | 10 | Island Chimney Hood | SS | Halogen Quad 20W JC/G4 | Multi-speed Heat Sentry™ | Slide | Centrifugal Blower | 35-¾ x 27-¾ | Ceiling |
| | EW56 | 12, 13 | Chimney Hood | SS | Halogen Dual 35W MR16 GU10 | 3-speed, Delay-off, Filter indicator, 3-setting light, Heat Sentry™ | Electronic Push Optional Remote | Centrifugal Blower w/ Make-up Air Damper Interlock | 30, 35-¾ | Wall |
| | EW58 | 12, 13 | Chimney Hood | SS | Halogen Dual 35W MR16 GU10 | 3-speed, Delay-off, Filter indicator, 3-setting light, Heat Sentry™ | Electronic Push Optional Remote | Centrifugal Blower w/ Make-up Air Damper Interlock | 30, 36 | Wall |
| | E159 | 9 | Chimney Hood | SS | Halogen Quad 35W MR16 GU10 | 3-speed, Delay-off, Filter indicator, 3-setting light, Heat Sentry™ | Electronic Push Optional Remote | Centrifugal Blower w/ Make-up Air Damper Interlock | 35-¾ x 25-¾ | Ceiling |
| | 61000 | 10 | Chimney Hood | SS | Halogen Dual 20W JC/G4 | 3 speed Heat Sentry™ | Slide | Centrifugal Blower | 30, 35-¾, 48 | Wall |
| | 61000EX | 10 | Chimney Hood External Blowers | SS | Halogen Dual or Quad 20W JC/G4 | Variable Heat Sentry™ | Slide | Centrifugal Blower | 35-¾, 48 | Wall |
| | 63000 | 9 | Island Chimney Hood | SS | Halogen Four 20W JC/G4 | 3 speed Heat Sentry™ | Slide | Dual Centrifugal Blower | 39-¾ x 27-¾ | Ceiling |
| | 63000EX | 9 | Island Chimney Hood External Blowers | SS | Halogen Dual or Quad 20W JC/G4 | Variable Heat Sentry™ | Slide | Centrifugal Blower | 39-¾ x 27-¾ | Ceiling |
| | RM65000 | 11 | Chimney Hood | SS | Halogen Dual 20W MR16 GU10 | Variable speed, Delay-off, Filter Indicator Heat Sentry™ | Electronic Push | Centrifugal Blower | 35-¾ | Wall |
| BLOWERS | P5 | 50, 51 | Internal Blower for and RMIP | na | na | na | na | Centrifugal Blower | na | Internal to Hood |
| | P8 | 50, 51 | Internal Blower for and RMIP | na | na | na | na | Dual Centrifugal Blower | na | Internal to Hood |
| | 331H | 50, 51 | †††Exterior Blower | na | na | na | na | Centrifugal Blower | na | Roof or Outside Wall |
| | 332H | 50, 51 | †††Exterior Blower including 28000 | na | na | na | na | Centrifugal Blower | na | Roof or Outside Wall |
| | 335 | 50, 51 | †††Exterior Blower | na | na | na | na | Centrifugal Blower | na | Roof or Outside Wall |
| | 336 | 50, 51 | †††Exterior Blower | na | na | na | na | Centrifugal Blower | na | Roof or Outside Wall |
| | HLB3 | 50, 51 | †††In-Line Blower | na | na | na | na | Centrifugal Blower | na | Attached to Framing |
| | HLB6 | 50, 51 | †††In-Line Blower | na | na | na | na | Centrifugal Blower | na | Attached to Framing |
| | HLB9 | 50, 51 | †††In-Line Blower | na | na | na | na | Centrifugal Blower | na | Attached to Framing |
| | HLB11 | 50, 51 | †††In-Line Blower | na | na | na | na | Centrifugal Blower | na | Attached to Framing |

* Mounting Height is measured from the top of the cooktop to the bottom of the Hood. **Except for QS and QP Series which is measured from the top of the hood to the top of the cooktop.**

** Visible height of Chimney when in the raised position.

*** Minimum Height is 24" when using optional RMP series backsplash.

† SS=430 Stainless Steel, BL=Black on Black, AL=Almond w/Black Trim, AA=Almond on Almond, BT=Bisque/Biscuit w/Black Trim, BC=Bisque/Biscuit on Bisque/Biscuit, WW=White on White, WH=White w/Black Trim.

††† External blower for E60000, E64000, 61000EX, 63000EX, RMPE, RMIP, RMDDEX and E66000 Series.

†††† RMIP Series require 332KR Rough-In Kit when used with Exterior or In-Line blowers.

‡ Performance ratings assume use of 10" round transition provided with blowers. Note: "Bisque/Biscuit" is a new color name for "Biscuit." The actual color remains unchanged.

| MOUNTING HEIGHT* | VISIBLE SHELL HEIGHT (inches) | CEILING HEIGHT MAX | BULB INCLUDED | DUCT | FILTERS INCLUDED | CFM/SONES VERT. RECT. | CFM/SONES HORIZ. RECT. | CFM/SONES VERT. ROUND | HVI CERTIFIED |
|------------------|-------------------------------|--------------------|---------------|--|------------------------|---------------------------|------------------------|---|---------------|
| 24"-30" | Flush | na | no | 7" round (V) Non-ducted kit 356NDK | Aluminum w/ Light Lens | — | — | 250/8.0 | Y |
| 24"-30" | Flush | na | no | 6" round (V) Non-ducted kit 357NDK | Aluminum w/ Light Lens | — | — | 390/6.0 | Y |
| 22"-30" | Flush | na | yes | 6" round (V) Non-ducted kit 359NDK | Aluminum | — | — | 500/9.0 | Y |
| 18"-24" | 4 | na | no | 3-3/4" x 10" (V) | Aluminum | 360/5.0 | — | — | Y |
| 24"-30" | Flush | na | yes | 6" round (V) | Aluminum | — | — | 400/9.0 | Y |
| 25"-30" | Flush | na | yes | 8" round (V) | Aluminum | — | — | 280 to 1500 See Exterior or In-Line Blowers | Y |
| 28"-34" | Flush | na | no | See Selected Blower: Page 50, 51†††† | SS & Aluminum | 460 to 850 See Md# P5, P8 | — | — | Y |
| na | 7** | na | na | 3-3/4" x 10" (V, H) | Aluminum | 500/na | 500/na | — | Y |
| na | 7** | na | na | 3-3/4" x 10" (V) | Aluminum | — | — | 280 to 1100: See Md# 332H, or In-Line Blowers | Y |
| na | 9.5 | na | na | 3-3/4" x 10" | Stainless Steel | 500/na | — | — | Y |
| na | 9.5 | na | na | 3-3/4" x 14" | Stainless Steel | — | — | 280 to 1500 See Exterior or In-Line Blowers | Y |
| 24"-30" | 11-1/16 | 8'-9" Opt. 10' | yes | 6" round (V) Non-ducted | Aluminum | — | — | 290/6.5 | Y |
| 24"-30" | 5-1/16 | 8'-9" Opt. 10' | yes | 6" round (V) Non-ducted | Aluminum | — | — | 370/7.0 | Y |
| 24"-30" | 5-1/16 | 8'-9" Opt. 10' | yes | 6" round (V) Non-ducted | Aluminum | — | — | 370/7.0 | Y |
| 24"-30" | 3-3/8 | 8'-9" Opt. 10' | yes | 6" round (V) Non-ducted | Aluminum | — | — | 370/7.0 | Y |
| 24"-30" | 3-7/8 | 8'-9" Opt. 10' | yes | 6" round (V) Non-ducted | Aluminum | — | — | 480/9.5 | Y |
| 24"-36" | | 8'-9" Opt. 10' | yes | 6" round (V) Non-ducted | Aluminum | — | — | 500/10.5 (200/2.5) | Y |
| 24"-36" | | 8'-9" Opt. 10' | yes | 6" round (V) Non-ducted | Aluminum | — | — | 500/10.5 (200/2.5) | Y |
| 24"-36" | | 8'-9" Opt. 10' | yes | 6" round (V) Non-ducted | Aluminum | — | — | 500/10.5 (200/2.5) | Y |
| 24"-30" | 9-3/8 | 8'-9" | yes | 6" round (V) 30" & 35-1/2" Width 8" round (V) 48" Width Non-ducted | Stainless Steel | — | — | 450/19.0 900/19.5 | Y |
| 24"-30" | 9-3/8 | 8'-9" | yes | 8" round (V) | Stainless Steel | — | — | 280 to 1500 See External or In-Line Blowers | Y |
| 24"-30" | 10-3/4 | 8'-9" | yes | 8" round (V) | Stainless Steel | — | — | 900/9.5 | Y |
| 24"-30" | 10-3/4 | 8'-9" Opt. 10' | yes | 8" round (V) | Stainless Steel | — | — | 280 to 1500 See External or In-Line Blowers | Y |
| 24"-30" | 11-13/16 | 8'-9" | yes | 6" round (V) | Aluminum | — | — | 450/9.0 | Y |
| na | na | na | na | 3-3/4" x 10" (V, H) | na | 460/10.5 | 500/10 | — | Y |
| na | na | na | na | 3-3/4" x 14" (V, H) | na | 850/10.5 | 900/10 | — | Y |
| na | na | na | na | 10" round | na | — | — | 600/na | Y |
| na | na | na | na | 10" round | na | — | — | 900/na | Y |
| na | na | na | na | 10" round | na | — | — | 1200/na | Y |
| na | na | na | na | 10" round | na | — | — | 1500/na | Y |
| na | na | na | na | Inlet 8" or 10" round Outlet 8" round | na | — | — | S280(H)/ S260(V) | Y |
| na | na | na | na | Inlet 10" round Outlet 10" round | na | — | — | S600(H)/ S600(V) | Y |
| na | na | na | na | Inlet 10" round Outlet 10" round | na | — | — | S800(H)/ S700(V) | Y |
| na | na | na | na | Inlet 10" round Outlet 10" round | na | — | — | S1100(H)/ S1000(V) | Y |



HVI-2100 CERTIFICATION

Broan range hoods are tested and certified by the Home Ventilating Institute. This is your assurance that each Broan unit has been tested and found to consistently deliver the air and sound performance specified.

■ Refers to ENERGY STAR Homes V3, HVAC System Quality Installation Rater Checklist items 8.1 and 9.1.

Broan range hoods can be used to comply with California's Title 24.