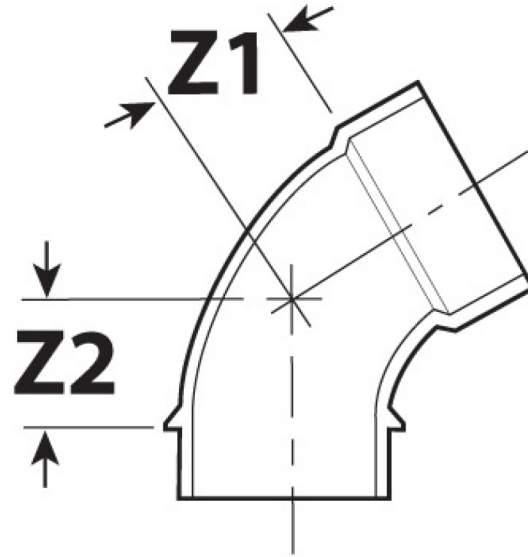


Submittal Sheet

Part Description:
2" ABS DWV 45 Degree or 1/8 Long Turn Street Bend or Elbow Spigot X H



ASTM



MASS.
APPROVED

Part UPC	Colour	Size (inches)	Ctn Qty	Ctn Bar Code	Ctn. Wt (Kgs)	Ctn. Wt (lbs)	Skid Cubic (m)	Skid Cubic (ft)	Ctns/Skid
662671100924	BLACK	2X2	50	10662671100921	4.80	10.56	1.65	58.33	36

Dimensions (inches)

Z1	Z2
1.44	1.44