

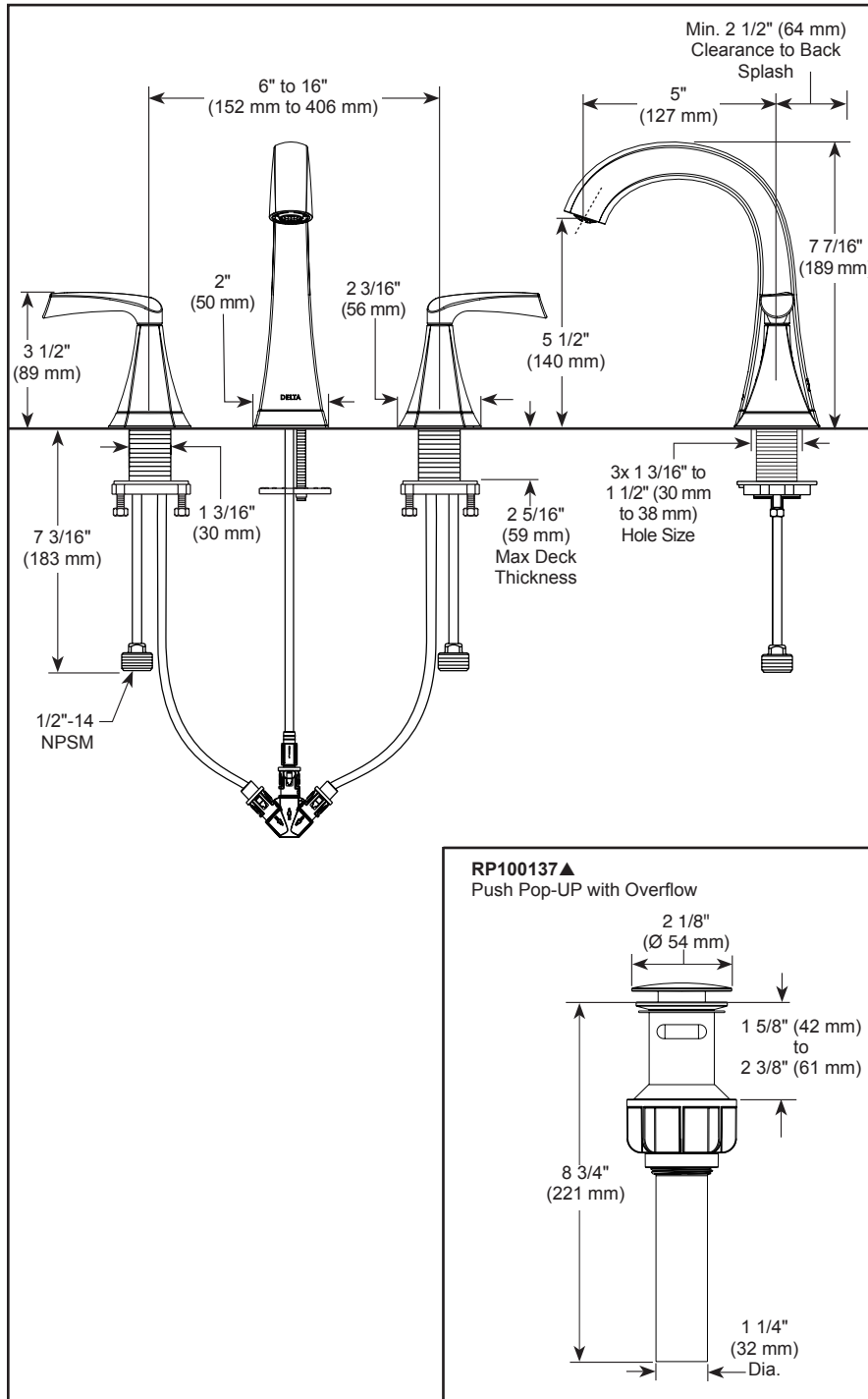
see what Delta can do™

BATHROOM FAUCET

- Pierce™ Collection
- Two Handle Deck Mount

Submitted Model No.: _____

Specific Features: _____



STANDARD SPECIFICATIONS

- Max flow rate 1.2 gpm @ 60 psi, 4.5 L/min @ 414 kPa
- Three hole mount
- Hot and cold stems are interchangeable
- 1/4 turn handle stops
- 1/4" O.D. copper supply lines
- Control mechanism is a rotating cylinder type with stainless steel plate and 90° rotation, with replaceable non-metallic seats
- Models have drain with pop-up type fitting with plated flange and stopper

WARRANTY

- Parts and Finish - Lifetime limited warranty; or for commercial purchasers, 10 years for multi-family residential (apartments and condominiums) and 5 years for all other commercial uses, in each case from the date of purchase.
- Electronic Parts and Batteries (if applicable) - 5 years from the date of purchase; or for commercial purchasers, 1 year from the date of purchase. No warranty is provided on batteries.



COMPLIES WITH:

- ASME A112.18.1 / CSA B125.1
- ASME A112.18.2 / CSA B125.2



Indicates compliance to ICC / ANSI A117.1 - Valve control only

- EPA WaterSense®

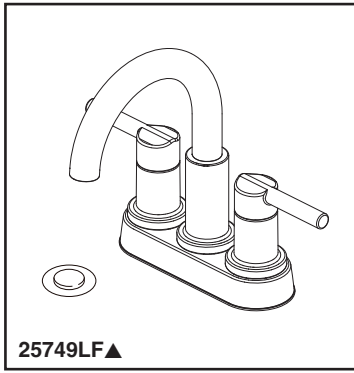
▲ Designate proper finish suffix

Delta reserves the right (1) to make changes in specifications and materials, and (2) to change or discontinue models, both without notice or obligation. Dimensions are for reference only. See full-line price book or www.deltafaucet.com for finish options and product availability.

DSP-L-35899LF Rev. C

Delta Faucet Company

55 E. 111th Street, Indianapolis, IN 46280
350 South Edgeware Road, St. Thomas, ON N5P 4L1
© 2023 Delta Faucet Company



see what Delta can do™

BATHROOM FAUCET

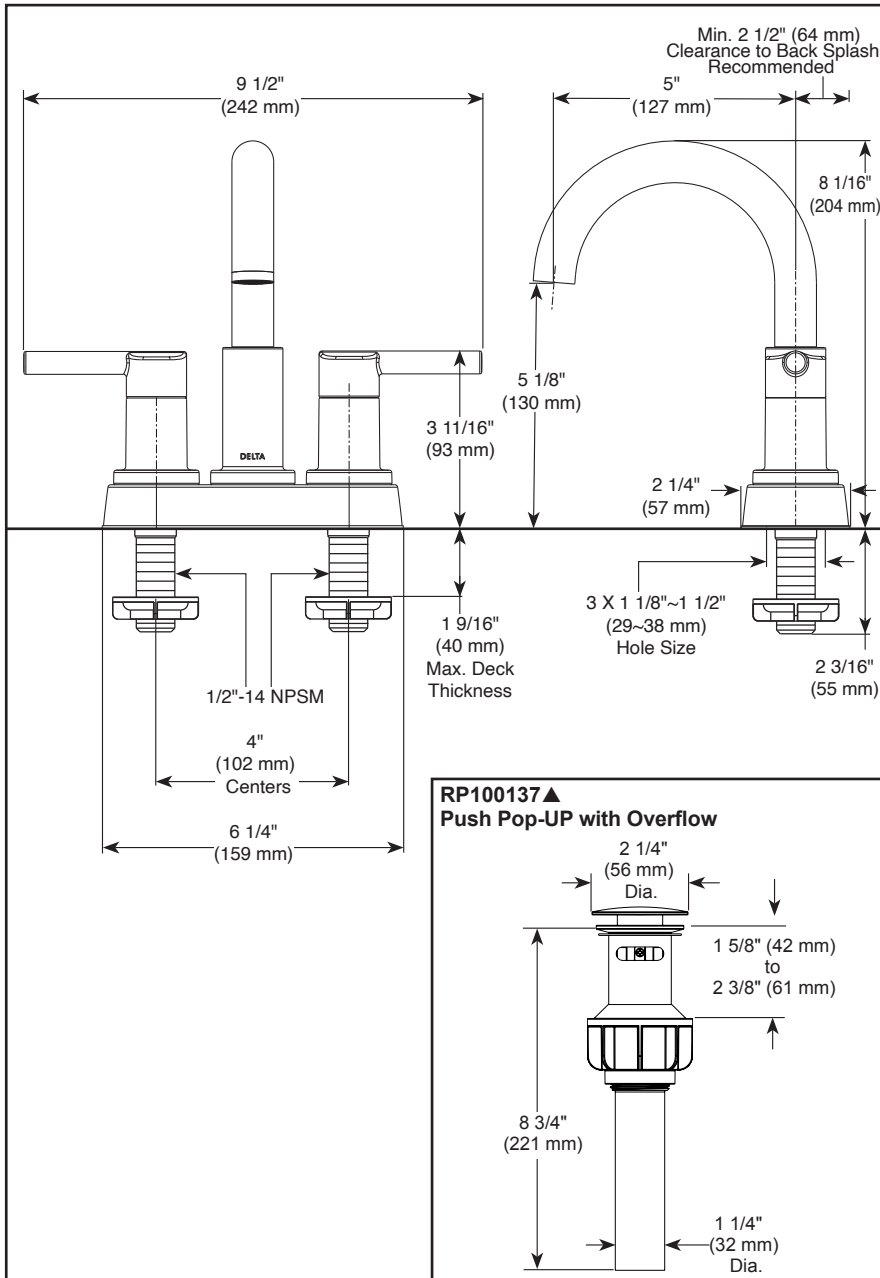
- Nicoli® Collection
- Two Handle Deck Mount

STANDARD SPECIFICATIONS:

- Max flow rate 1.2 gpm @ 60 psi, 4.5 L/min @ 414 kPa.
- Three hole mount
- Hot and cold stems are interchangeable
- All operating parts are replaceable from the top
- 1/4 turn handle stops
- Control mechanism is a rotating cylinder type with stainless steel plate and 90° rotation, with replaceable non-metallic seats.
- 1/2"-14 NPSM threaded male inlet shanks
- Model has plastic push pop-up with overflow
- Note: Standard mounting thickness can be extended by 1" (25mm) with RP76691

WARRANTY

- Parts and Finish - Lifetime limited warranty; or for commercial purchasers, 10 years for multi-family residential (apartments and condominiums) and 5 years for all other commercial uses, in each case from the date the product is received by the original purchaser or their authorized representative (installation contractor, etc.).
- Electronic Parts and Batteries (if applicable) - 5 years from the date the product is received by the original purchaser or their authorized representative (installation contractor, etc.); or for commercial purchasers, 1 year from the date the product is received by the original purchaser or their authorized representative (installation contractor, etc.). No warranty is provided on batteries.
- Please go to www.deltafaucet.com for the complete details of our limited warranty.



COMPLIES WITH:

- ASME A112.18.1 / CSA B125.1
- ASME A112.18.2 / CSA B125.2
- ♿ Indicates compliance to ICC/ANSI A117.1- Valve control only
- EPA WaterSense®

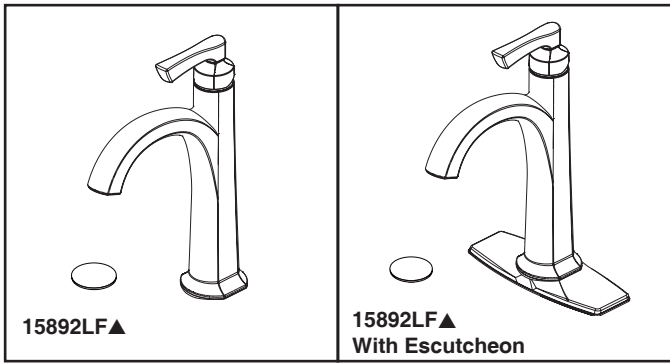
▲ Designate proper finish suffix

Delta reserves the right (1) to make changes in specifications and materials, and (2) to change or discontinue models, both without notice or obligation. Dimensions are for reference only. See current full-line price book or www.deltafaucet.com for finish options and product availability.

DSP-L-25749LF Rev. A

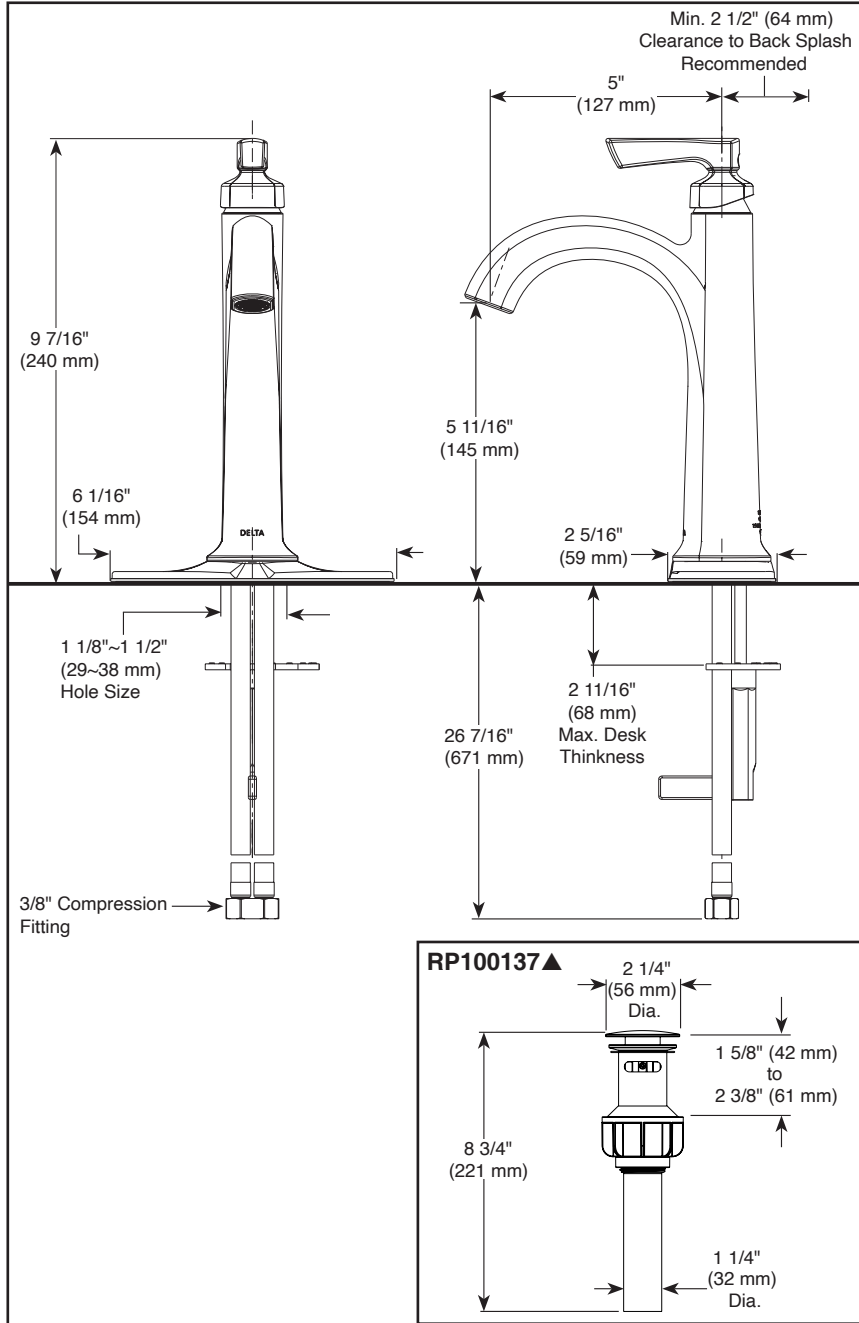
Delta Faucet Company

55 E. 111th Street, Indianapolis, IN 46280
350 South Edgeware Road, St. Thomas, ON N5P 4L1
© 2024 Delta Faucet Company



Submitted Model No.: _____

Specific Features: _____



▲ Designate proper finish suffix

Delta reserves the right (1) to make changes in specifications and materials, and (2) to change or discontinue models, both without notice or obligation. Dimensions are for reference only. See current full-line price book or www.deltafaucet.com for finish options and product availability.

DSP-L-15892LF Rev. A



see what Delta can do™

BATHROOM FAUCET

- Arcadia™ Collection
- Single Handle Deck Mount

STANDARD SPECIFICATIONS:

- Maximum flow rate 1.2 gpm @ 60 psi, 4.5 L/min @ 414 kPa.
- Solid metal cast body.
- One or three hole mount (escutcheon optional, included).
- Polymer braided flexible supply hose with 3/8" compression fitting thread connection.
- Control mechanism is replaceable cartridge with ceramic plates.
- Models have push pop-up with over flow.

WARRANTY

- Parts and Finish - Lifetime limited warranty; or for commercial purchasers, 10 years for multi-family residential (apartments and condominiums) and 5 years for all other commercial uses, in each case from the date of purchase.
- Electronic Parts and Batteries (if applicable) - 5 years from the date of purchase; or for commercial purchasers, 1 year from the date of purchase. No warranty is provided on batteries.



COMPLIES WITH:

- ASME A112.18.1 / CSA B125.1
- ASME A112.18.2 / CSA B125.2

 Indicates compliance to ICC / ANSI A117.1

- EPA WaterSense®

Delta Faucet Company

55 E. 111th Street, Indianapolis, Indiana 46280
 350 South Edgeware Road, St. Thomas, Ontario Canada N5P 4L1
 © 2022 Delta Faucet Company