

SIMPSON

Dura-Vent

Applications

DuraPlus Chimney is a triple-wall chimney for appliances requiring a UL103 HT chimney system, such as wood stoves, fireplaces, furnaces, boilers, stoves, ranges, water heaters, or other appliances fueled by wood, oil, coal, or gas.

Materials and Construction

.016" 430 stainless steel outer wall or .018" galvanized steel outer wall.
.018" aluminized steel intermediate liner.
.016" 430 stainless steel inner liner. Two insulating layers (ceramic blanket plus air space). Locks tightly with a precision twist-lock connection.

Clearances

2" clearance to combustibles.

Diameters

6", 7", and 8"

Listings

UL Listed to UL103 HT requirements (MH7399)

Limited-Lifetime Warranty

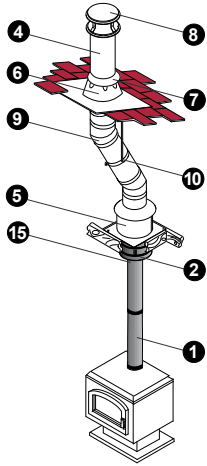


DuraPlus

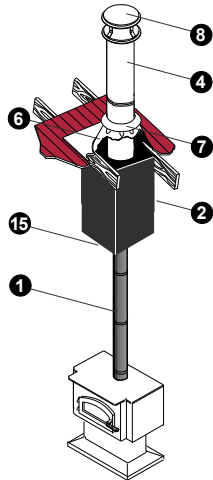
DuraPlus is designed to stay cool on the outside, to provide a hot draft on the inside, to boost stove efficiency, and to provide for a fire-safe design that protects both the chimney and the building. This triple-wall chimney features two insulating layers (ceramic blanket, plus air space). The ceramic blanket insulation is held secure in position, eliminating hot spots common with loose-fill type insulations. In the event of a creosote fire, the compressible blanket insulation permits the chimney liner to expand outward in a radial direction.



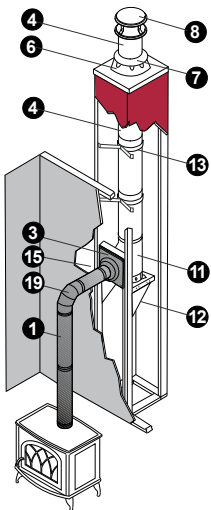
Typical Installations



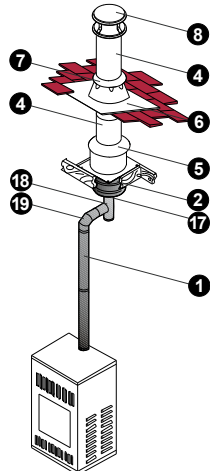
Attic Offset



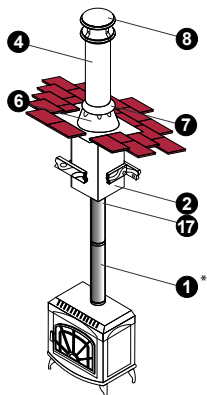
Cathedral Ceiling Roof Support



Through-the-Wall



Oil Furnace

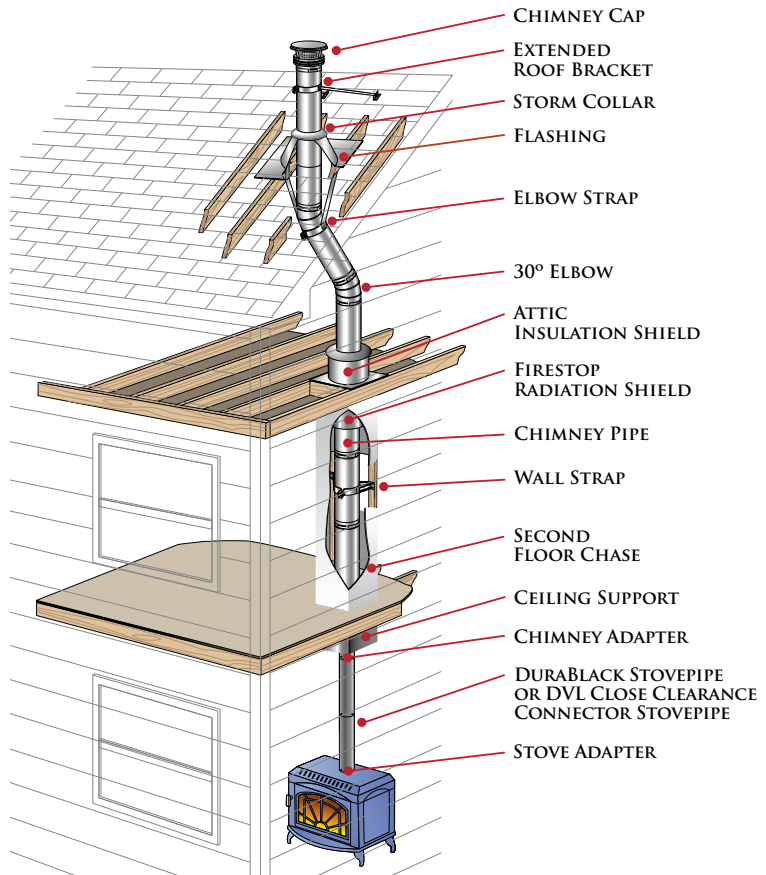


Manufactured Home
*DVL stovepipe required for this installation

Installation Key

1	DVL or DuraBlack Stovepipe	11	Tee with Cap
2	Ceiling Support Box	12	Tee Support Bracket
3	Wall Thimble	13	Wall Strap
4	DuraPlus Chimney	14	Firestop Radiation Shield
5	Attic Insulation Shield	15	Snap Lock Adapter, DVL/DuraBlack Chimney Adapter, DuraBlack Slip Connector
6	Roof Flashing	16	Extended Roof Bracket
7	Storm Collar	17	DVL or DuraBlack Chimney Adapter
8	Chimney Cap	18	DVL or DuraBlack Tee
9	Elbow	19	DVL or DuraBlack Elbow
10	Elbow Strap		

- Refer to our Typical Venting Installation drawings to select the appropriate component parts for your installation.
- A DVL/DuraBlack Chimney Adapter or DuraBlack Slip Connector must be used when connecting DVL or DuraBlack stovepipe to a Ceiling Support, Wall Thimble or Finishing Collar. A Snap-Lock Adapter must be used when attaching snap-lock stovepipe to DuraPlus.
- A Wall Thimble must be installed with an appropriate section of chimney pipe for all horizontal through-the-wall installations. To accommodate thicker walls use a Wall Thimble Extension
- An Attic Insulation Shield must be used in all installations that pass through an attic, regardless of whether the attic is insulated or not. If chimney is enclosed in a chase in the attic space, an attic insulation shield is not required.
- A Firestop Radiation Shield must be used when a chimney passes through a floor or ceiling without a ceiling support.



Planning Your Installation

- | | |
|---|---|
| 1 | First, you must find the fixed position of chimney's centerline from the stove collar up through the ceiling) and the roof. Start by dropping a plumb line from the ceiling to center of stove collar. (Keep in mind that your stove should be placed so the chimney will be centered between joists.) Repeat this procedure to find out where the chimney will penetrate attic floor and roof. |
| 2 | After selecting the location for stove, determine the height from the bottom of the support box to the high point of the roof where the chimney will exit through the roof. |
| 3 | Add at least 3' to this dimension to allow chimney to terminate at least 3' above the roof and at least 2' higher than any portion of the structure within 10'. This satisfies building code requirements and allows for proper draft performance. Chimney can be higher than required, but not lower. |
| 4 | After determining a proper height, see pipe selection chart. |

How Size and Height Affect Stove Performance

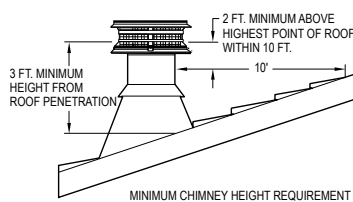


Figure 1

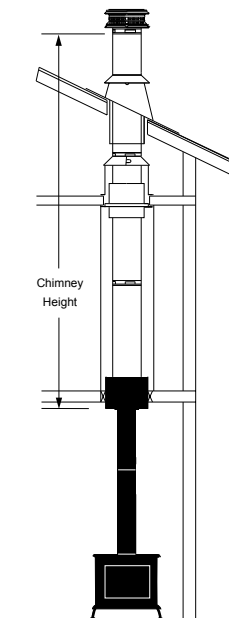


Figure 2

Fast warm-up is an important DuraPlus feature, but it is not the only thing that controls chimney efficiency; chimney size, height, and stovepipe are important too. See Figures 1 & 2.

The size of your chimney must match the size of the stove collar because that is the flue size for which your stove is designed and tested. An oversized chimney pulls too much heat into the chimney. An undersized chimney creates too little draft and a smoky burn. Chimney height is also important. If your chimney is too short to create a stable draft, you get a sluggish burn. Wet wood can also cause sluggish burns. A very tall chimney may cause over drafting, which can usually be controlled by the stove damper. If not, special dampers are available.

DuraPlus Basic Kit



Includes: Snap-Lock Adapter, 11" Square Ceiling Support Box w/ Trim, Adjustable Flashing 0/12-6/12, Chimney Cap, Storm Collar, and Attic Insulation Shield. Only available in 6" diameter.

SIZE	6"
STOCK #	9085

DuraPlus Manufactured Home Kit



Includes: DVL/DuraBlack Adapter, 24" Square Ceiling Support Box w/ Trim, Adjustable Flashing 0/12-6/12, Chimney Cap, Storm Collar, and 24" DuraPlus Chimney Pipe. Only available in 6" diameter.

SIZE	6"
STOCK #	9086

DuraPlus Through-The-Wall Kit



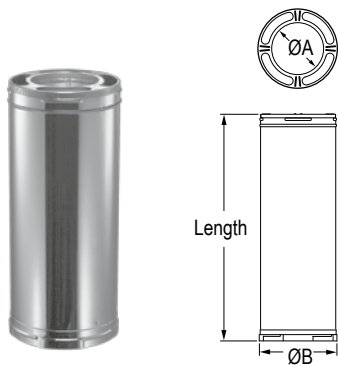
Includes: Snap-Lock Adapter, 9" Chimney Pipe, Wall Thimble, Tee w/ Cap, (2) Adjustable Wall Strap, Tee Support Bracket, and Chimney Cap. Only available in 6" diameter.

SIZE	6"
STOCK #	9088

Pipe Selection Chart

Installed Chimney Height	Chimney Sections Used			Installed Chimney Height	Chimney Sections Used		
	12"	24"	36"		12"	24"	36"
1'	1			24'-3"	1		
2'		1		25'-3"		1	
3'			1	26'-3"			1
4'				27'-3"			
4'-10 1/2"	1			28'-1 1/2"	1		
5'-10 1/2"		1		29'-1 1/2"		1	
6'-10 1/2"			1	30'-1 1/2"			1
7'-10 1/2"				31'-1 1/2"			
8'-9"	1			32'	1		
9'-9"		1		33'		1	
10'-9"			1	34'			1
11'-9"				35'			
12'-7 1/2"	1			35'-10 1/2"	1		
13'-7 1/2"		1		36'-10 1/2"		1	
14'-7 1/2"			1	37'-10 1/2"			1
15'-7 1/2"				38'-10 1/2"			
16'-6"	1			39'-9"	1		
17'-6"		1		40'-9"		1	
18'-6"			1	41'-9"			1
19'-6"				42'-9"			
20'-4 1/2"	1			43'-7 1/2"	1		
21'-4 1/2"		1		44'-7 1/2"		1	
22'-4 1/2"			1	45'-7 1/2"			1
23'-4 1/2"				46'-7 1/2"			

Chimney Pipe

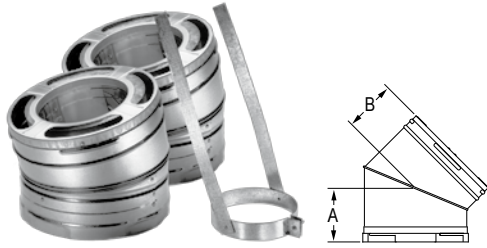


DuraPlus Chimney pipe in 6", 9", and 12" lengths have a 1" insulating blanket; 24" and 36" lengths are 1/2". To calculate the installed length of DuraPlus pipe lengths, subtract 1 1/2" from each length of chimney pipe.

NEW DuraPlus pipe lengths are now available with additional protective carton foam for shipping. Available items have stock #'s with (CF).

SIZE	6"	7"	8"
A	6"	7"	8"
B	10"	11"	12"
6" LENGTH	9006	9106	9206
9" LENGTH	9019	9119	9219
12" LENGTH	9014	9114	9214
24" LENGTH	9021	9121	9221
24" LENGTH	--	--	9221CF
24" LENGTH STAINLESS STEEL	9021SS	9121SS	9221SS
24" LENGTH STAINLESS STEEL	--	--	9221SSCF
36" LENGTH	9017	9117	9217
36" LENGTH	9017CF	--	9217CF
36" LENGTH STAINLESS STEEL	9017SS	9117SS	9217SS
36" LENGTH STAINLESS STEEL	9017SSCF	--	9217SSCF

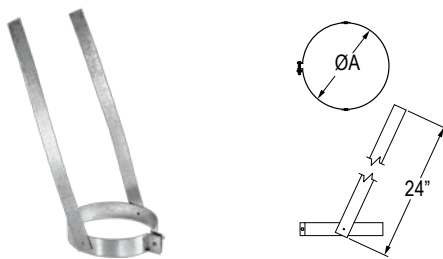
Elbow Kit



Kit includes: (2) Elbows and one Elbow Strap. Use elbows to offset obstructions such as rafters, ridgepoles or joists. 6", 7", and 8" DuraPlus may have two pairs of elbows if needed. Offsets greater than 30° are not allowed. Elbows are not adjustable. DuraPlus elbows have a 1" insulating blanket. See chart for approved offset distance. Elbows sold in pairs. Chimney must vent vertically. Stock #'s with (SS) are stainless steel.

SIZE	STOCK #	A	B
15° ELBOW			
6"	9064KIT	4"	2 1/4"
6"	9064SSKIT	4"	2 1/4"
7"	9164KIT	4 1/4"	2 5/8"
7"	9164SSKIT	4 1/4"	2 5/8"
8"	9264KIT	4 1/4"	2 3/4"
8"	9264SSKIT	4 1/4"	2 3/4"
30° ELBOW			
6"	9066KIT	4 1/2"	3 1/4"
6"	9066SSKIT	4 1/2"	3 1/4"
7"	9166KIT	4 5/8"	3 1/4"
7"	9166SSKIT	4 5/8"	3 1/4"
8"	9266KIT	5"	3 1/4"
8"	9266SSKIT	5"	3 1/4"

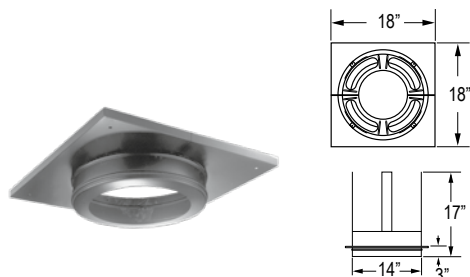
Elbow Strap



Use between two elbows to support the weight of the chimney.

SIZE:	6"	7"	8"
A	10"	11"	12"
STOCK #	9060	9160	9260

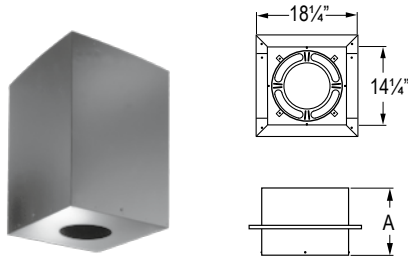
Round Ceiling Support



Use for flat ceiling installation. Round Ceiling Support is painted black. Includes square trim and DVL/DuraBlack Chimney Adapter. Supports up to 40' of DuraPlus. Starter Section built in.

SIZE:	6"	7"	8"
STOCK #	9045N	9145N	9245N

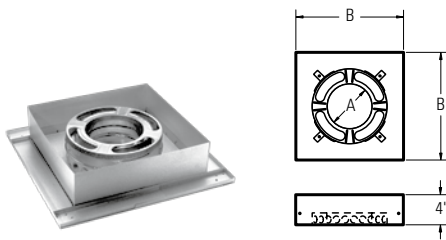
Square Ceiling Support Box



Use with flat, vaulted, or cathedral ceilings. Square Ceiling Support Box is painted black. Includes square trim and DVL/DuraBlack Chimney Adapter. Refer to Vaulted Ceiling Pitch table to determine size of support box needed. Supports up to 40' of DuraPlus Chimney. Starter Section built in.

SIZE	STOCK #	A	VAULTED CEILING PITCH		
			DURABLACK	DVL	USE
6"	9048AN	11"	0/12 - 4/12	0/12 - 6/12	11" Support box
6"	9048BN	24"			
6"	9048DN	36"	5/12 - 9/12	7/12 - 13/12	24" Support box
7"	9148AN	11"	10/12 - 14/12	14/12 - 20/12	36" Support box
7"	9148BN	24"			
7"	9148DN	36"	POLISHED BRASS DESIGNER TRIM KIT		
	9901		Use w/ 11" Support Box		
	9901B		Use w/ 24" Support Box		
	9901D		Use w/ 36" Support Box		
8"	9248AN	11"			
8"	9248BN	24"			
8"	9248DN	36"			

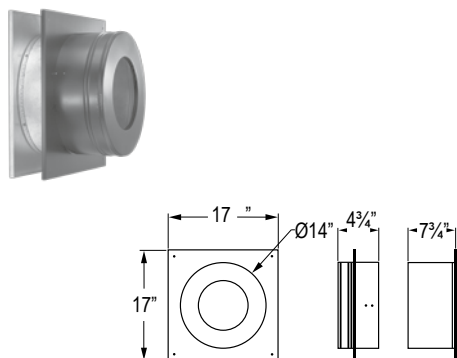
Flat Ceiling Support Box



Flat Ceiling Support Boxes are not painted. Can be painted with high temperature paint. Designed for installation in flat ceilings only. Two inch wide trim is included. Supports up to 35' of DuraPlus Chimney. Starter Section built in.

SIZE	STOCK #	A	B
6"	9047N	6 1/4"	14 1/4"
7"	9147N	7 1/4"	14 1/4"
8"	9247N	8 1/4"	14 1/4"

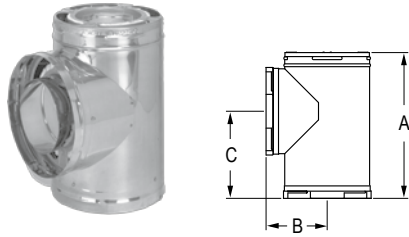
Wall Thimble



The Wall Thimble adjusts from 4 3/4" to 7 3/4" and fits between standard wall studs. The telescoping pieces can be separated, and a field fabricated extension installed, to accommodate thicker walls. The interior trim ring is painted black. The Wall Thimble must be installed with an appropriate length of chimney pipe through the wall horizontally.

SIZE:	STOCK #	WHEN USING A WALL THIMBLE	
		WALL THICKNESS	Install pipe section
6"	9043N		
7"	9143N	4 1/2"	6" section
8"	9243N	4 1/2" - 5 1/2"	9" section
STAINLESS STEEL		5 1/2" - 6 1/2"	12" sections
6"	9043SS	8 1/2" - 13"	(2) 9" section
7"	9143SS		
8"	9243SS		

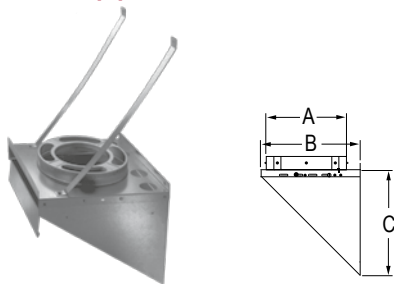
Tee with Cap



Use for through-the-wall chimney installations. The tee clean-out cap is removable for easy chimney cleaning or inspection. Wall Straps, a Wall Thimble, and a Tee Support must be installed with the Tee as directed. DuraPlus tees have 1" insulating blanket. Ventilation for chimney must be drawn from outdoors.

SIZE:	6"	8"
A	6"	8"
B	10"	12"
STOCK #	9011	9211

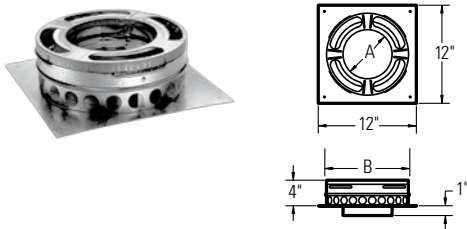
Tee Support Bracket



Used to support the Tee; suspended from a wall. Supports up to 35' of DuraPlus Chimney. Starter Section built in.

SIZE:	STOCK #	A	B	C
6"	9072	10"	14"	12"
7"	9172	11"	15"	13"
8"	9272	12"	16"	14"
STAINLESS STEEL				
6"	9072SS	10"	14"	12"
7"	9172SS	11"	15"	13"
8"	9272SS	12"	16"	14"

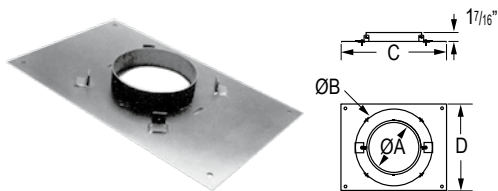
Base Plate



Zero-clearance fireplace adapter. The Base Plate is to be used on a zero-clearance fireplace when using DuraPlus directly off the unit. Starter Section built in.

SIZE:	STOCK #	A	B
6"	9001	6"	10"
7"	9101	7"	11"
8"	9201	8"	12"

Transition Anchor Plate

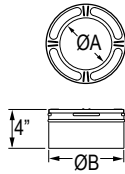


Use Transition Anchor Plate with DuraPlus when extending or converting from DuraLiner to DuraPlus in chimney restoration. Use with Slip Connector and Hanger.

SIZE:	STOCK #	A	B	C	D
6"	9040A	6 1/16"	10 3/8"	17"	14"
6"	9040B	6 1/16"	10 3/8"	17"	17"
6"	9040C	6 1/16"	10 3/8"	21"	13"
6"	9040D	6 1/16"	10 3/8"	21"	17"
8"	9240A	8 1/16"	12 3/8"	17"	14"
8"	9240B	8 1/16"	12 3/8"	17"	17"
8"	9240C	8 1/16"	12 3/8"	21"	13"
8"	9240D	8 1/16"	12 3/8"	21"	17"

Starter Section

NEW

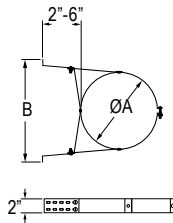


DuraPlus Starter Section is only needed when converting from DuraLiner to DuraPlus and the DuraPlus Chimney is going to be enclosed in a chase.

SIZE:	6"	8"
A	6"	8"
B	10"	12"
STOCK #	9011	9211

Adjustable Wall Strap

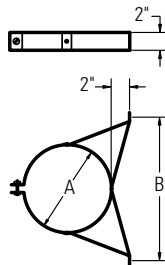
NEW



Use in interior or exterior installations to support and stabilize the chimney while assuring a 2" clearance. Wall straps are required every 4' on exterior of building. Adjusts 2"-6" from wall.

SIZE:	STOCK #	A	B
6"	9069	10"	16 1/8"
7"	9169	11"	17 1/8"
8"	9269	12"	18 1/8"

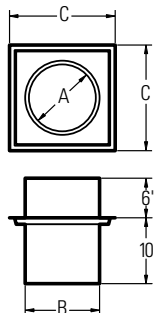
Wall Strap



For use in interior or exterior installations to support and stabilize the chimney while assuring a 2" clearance. Wall straps are required every four feet on exterior of building only.

SIZE:	STOCK #	A	B
6"	9068	10"	16"
7"	9168	11"	16"
8"	9268	12"	16"
STAINLESS STEEL			
6"	9068SS	10"	16"
7"	9168SS	11"	16"
8"	9268SS	12"	16"

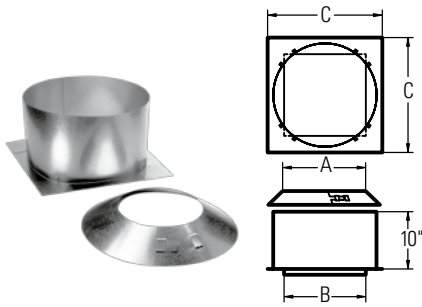
Firestop Radiation Shield



Use in ceiling/floor penetrations other than those that include the ceiling support. Not required when passing through the roof.

SIZE:	STOCK #	A	B	C
6"	9044	10 3/16"	10 7/8"	16 1/2"
7"	9144	11 3/16"	11 7/8"	16 1/2"
8"	9244	12 3/16"	12 7/8"	16 1/2"

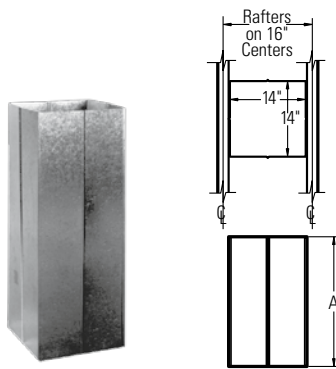
Attic Insulation Shield



Attic Insulation Shields consist of two parts: collar and base. This universal Attic Insulation Shield must be used in all installations that pass through an attic to prevent insulation and debris from accumulating near the chimney, unless chimney is enclosed through attic.

SIZE:	STOCK #	A	B	C
6" - 8"	9946	10", 11", 12"	14 1/4"	20"

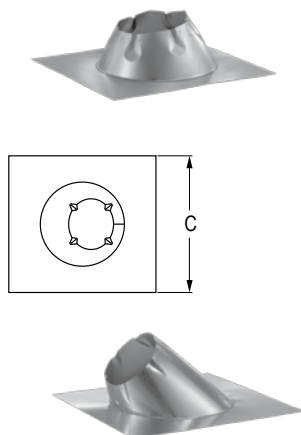
Close Clearance Shield



Close Clearance Shield is used in installations where an 8" Simpson Dura-Vent chimney system passes through a roof opening with less than the normal 2" minimum clearance to roof trusses or rafters. Chimney pipe must be centered within Close Clearance Shield.

SIZE:	STOCK #	A
6" - 8"	9980A	3'
6" - 8"	9980B	4'
6" - 8"	9980C	5'

Roof Flashing



Use the proper flashing based on the pitch of the roof. Note: a 6/12 pitch has a vertical rise of 6" over a horizontal distance of 12". Steep Roof Flashings are available to accommodate pitches up to 24/12.

SIZE:		6"	7"	8"
FLAT ROOF	A	10 3/4"	10 3/4"	11"
	B	10 1/2"	11 3/4"	12 3/4"
	C	26"	29 1/2"	29 1/2"
	D	26"	29 1/2"	29 1/2"
	STOCK #	9051V	9151V	9251V
0/12-6/12 PITCH	A	6"	6"	6"
	B	10 3/4"	11 3/4"	12 3/4"
	C	26"	26"	26"
	D	28"	28"	28"
0/12-6/12	STOCK #	9049V	9149V	9249V
7/12-12/12	STOCK #	9050V	9150V	9250V
13/12-18/12	STOCK #	9081V	9181V	9281V
19/12-24/12	STOCK #	9052V	9152V	9252V

DSA Roof Flashings

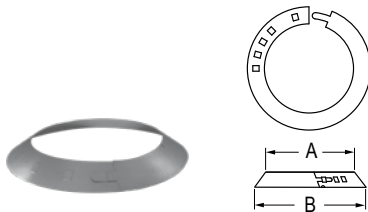
NEW



For use with metal or tile roofs. Available in sizes 6"-8", in Adjustable and Flat Roof (shown) styles. Made with Dead Soft Aluminum.

SIZE:	6"	8"
ADJUSTABLE	C9049DSA	C9249DSA
FLAT ROOF	C9051 DSA	C9251DSA

Storm Collar

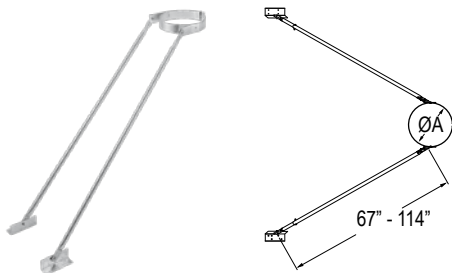


Use in conjunction with a DuraPlus Flashing to create a weather proof penetration through a roof deck.

SIZE:	6"	7"	8"
A	10"	11"	12"
B	13"	14"	15"
STOCK #	9959		

Extended Roof Bracket

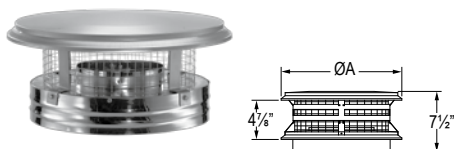
NEW DESIGN



Use to support the chimney when it extends more than 4' above the roof.

SIZE:	6"	7"	8"
A	10"	11"	12"
STOCK #	9061	9161	9261

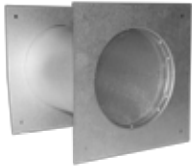
Chimney Cap with Storm Collar



Chimney Cap includes a spark arrestor screen and a Storm Collar.

SIZE:	6"	7"	8"
A	11"	15"	15"
STOCK #	9084	9184	9284

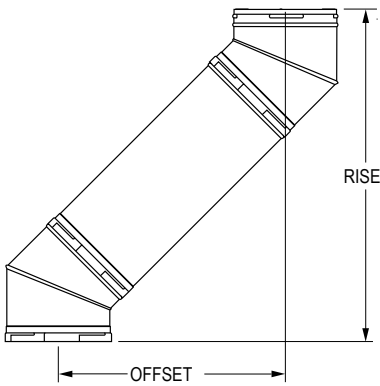
Chase Air Intake with Rodent Guard



Allows required ventilation air into chase. Screen keeps out rodents.

SIZE:	6"
STOCK #	1468

Offset Chart



SIZE:		6" DIAMETER		7" DIAMETER		8" DIAMETER	
Elbow Degrees	Chimney Section	Offset Inches	Rise Inches	Offset Inches	Rise Inches	Offset Inches	Rise Inches
15°	0"	1 1/2"	12"	1 3/4"	13 1/2"	1 3/4"	13 1/2"
15°	12"	4 1/4"	23 1/2"	4 1/4"	20 1/2"	4 1/4"	23 1/2"
15°	24"	7 1/2"	34"	7 3/4"	35 1/2"	6 3/4"	35 1/2"
15°	36"	10 1/2"	45 1/2"	10 3/4"	46 3/4"	9 1/2"	47"
15°	48"	13 1/4"	55 1/2"	13 1/2"	57"	12"	57 1/4"
30°	0"	3 3/4"	14 1/4"	3 3/4"	14 1/4"	3 3/4"	14 3/4"
30°	12"	9"	24"	9"	24"	9"	24"
30°	24"	15"	33 3/4"	15"	33 1/4"	14 3/4"	34 1/4"
30°	36"	21"	44"	21"	43 1/2"	20 1/2"	44 3/4"
30°	48"	26 1/4"	53"	26"	52 1/2"	25 1/2"	53 3/4"
45°	0"	7 5/8"	19 7/8"	7 5/8"	19 7/8"	7 5/8"	19 7/8"
45°	12"	16"	28 1/4"	16"	28 1/4"	16"	28 1/4"
45°	24"	24 1/2"	36 7/8"	24 1/2"	36 7/8"	24 1/2"	36 7/8"
45°	36"	33"	45 1/4"	33"	45 1/4"	33"	45 1/4"
45°	48"	41 1/2"	53 3/4"	41 1/2"	53 3/4"	41 1/2"	53 3/4"

