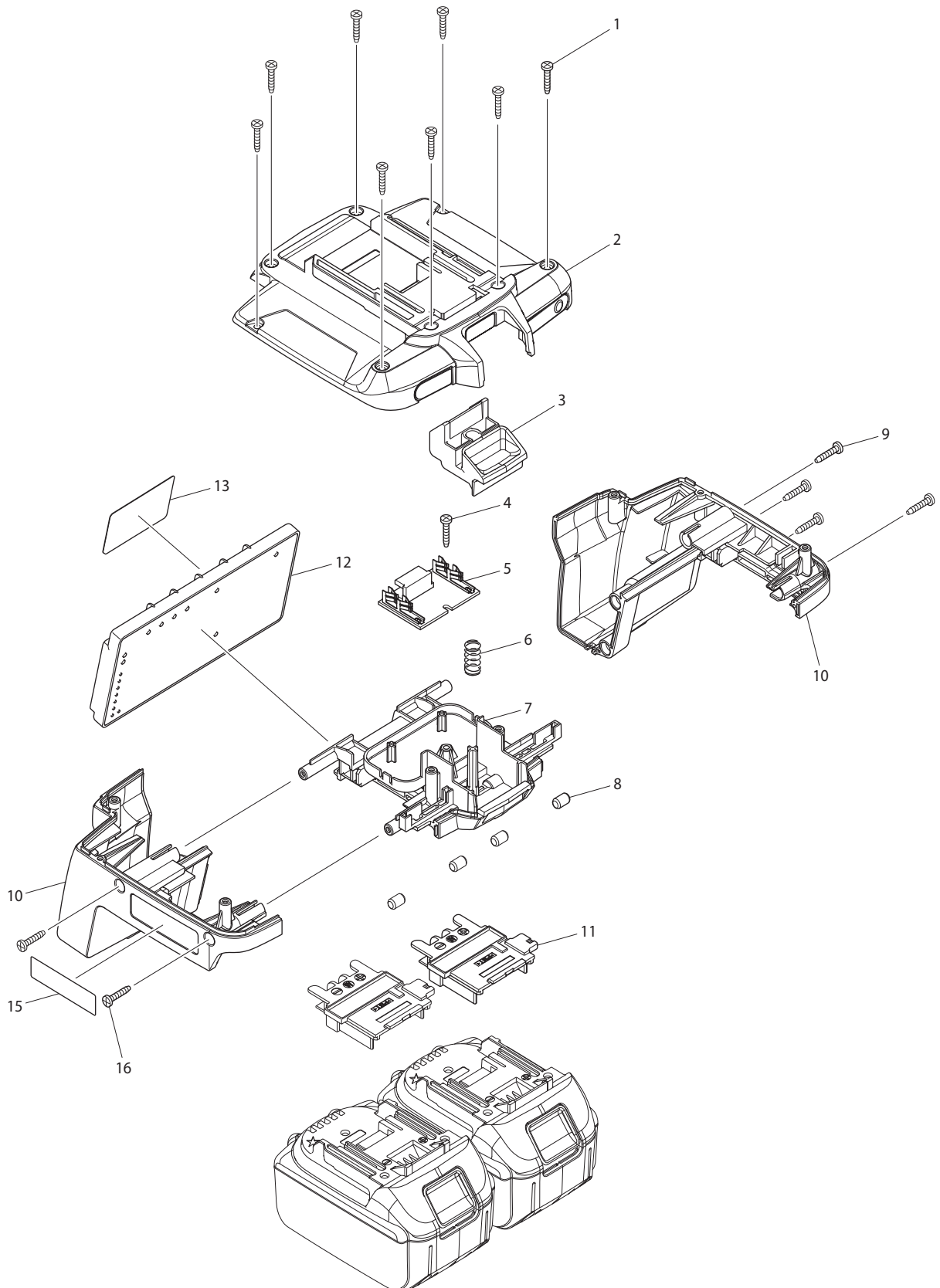




02 - 2014

196813-6

BATTERY CONVERTER BCV03 - DIRECT CONNECT STYLE -



Item No.	Type	Sub	Part No.	Description	Qty	Unit
1			266130-9	TAPPING SCREW BIND PT 3X16	8	PC.
2			141392-9	TOP COVER COMPLETE	1	PC.
		INC.	890758-7	CAUTION LABEL (EN FR SP)	1	PC.
3			453383-1	HOOK	1	PC.
4			266130-9	TAPPING SCREW BIND PT 3X16	1	PC.
5			620071-7	TERMINAL BOARD COMPLETE	1	PC.
6			234121-8	COMPRESSEION SPRING 8	1	PC.
7			453379-2	CENTER CASE	1	PC.
8			263005-3	RUBBER PIN 6	4	PC.
9			266130-9	TAPPING SCREW BIND PT 3X16	4	PC.
10			187415-9	SIDE COVER SET	1	SET
		INC.		Item No. 15		
11			643899-6	TERMINAL	2	PC.
12			620307-4	ADAPTER CIRCUIT	1	PC.
13			815R42-7	NAME PLATE F/BCV03	1	PC.
15			819232-6	MAKITA LOGO LABEL	1	PC.
16			266130-9	TAPPING SCREW BIND PT 3X16	2	PC.
C01			876134-9	CARTON F/BCV03	1	PC.
100			654510-5	INSULATED CONNECTOR 5.5-SD	3	PC.
<u>ACCESSORIES</u>						
A01			-----	18V LI-ION BATTERY		
				*BL1815 cannot be used with BCV03		
A02			196006-5	BATTERY GUARD SET	1	PC.