



# SERVICE PARTS LIST

**BULLETIN NO.**  
**54-26-2900**

SPECIFY CATALOG NO. AND SERIAL NO. WHEN ORDERING PARTS		REVISED BULLETIN	DATE
<b>M18 FUEL™ 1/2" SQUARE IMPACT WRENCH with friction ring</b>			July 2023
CATALOG NO.	<b>2666-20</b>	STARTING SERIAL NO.	<b>N78A</b>
		WIRING INSTRUCTION <b>See Page 2</b>	

**EXAMPLE:**  
Component Parts (Small #) Are Included  
When Ordering The Assembly (Large #).

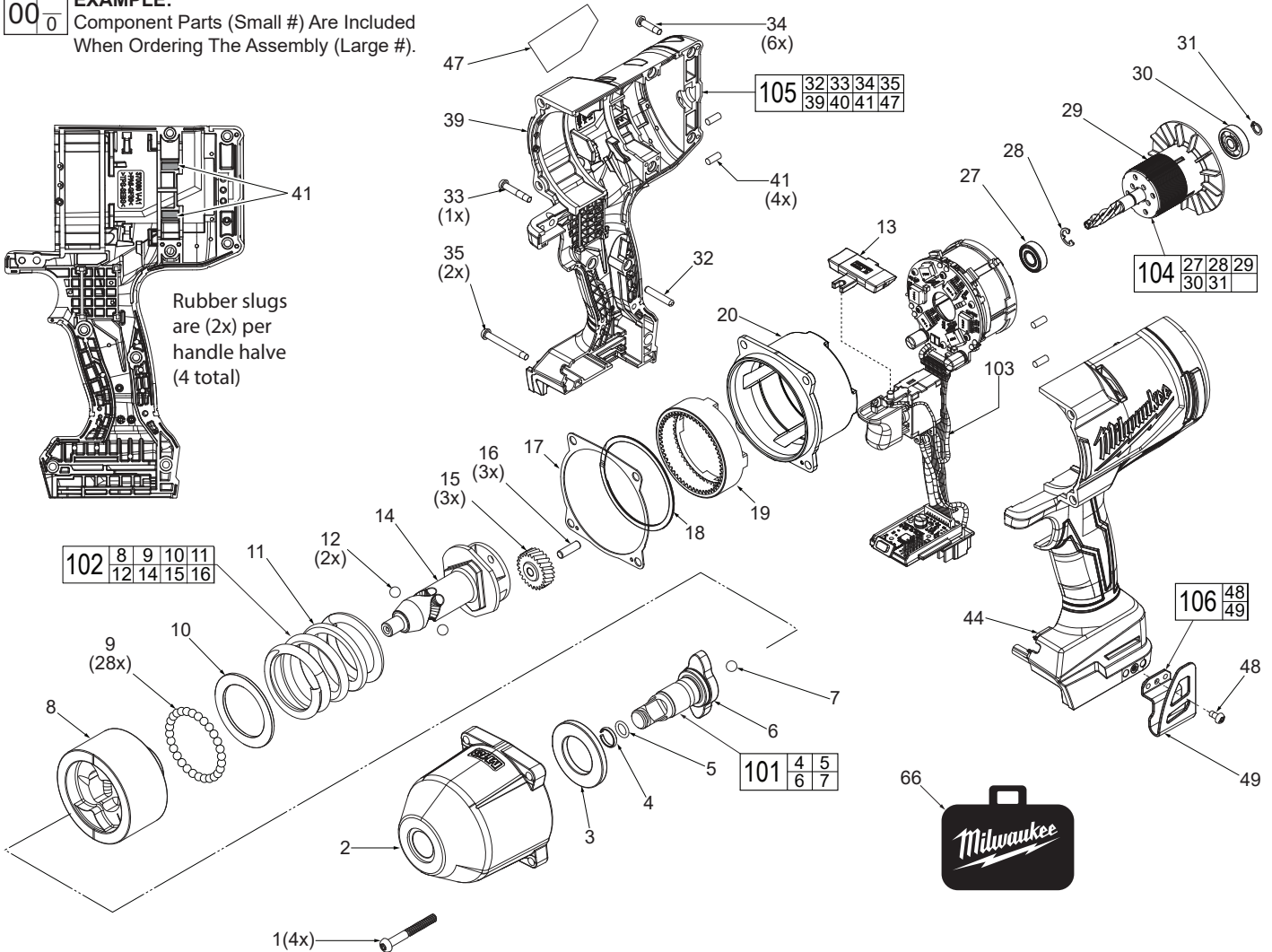
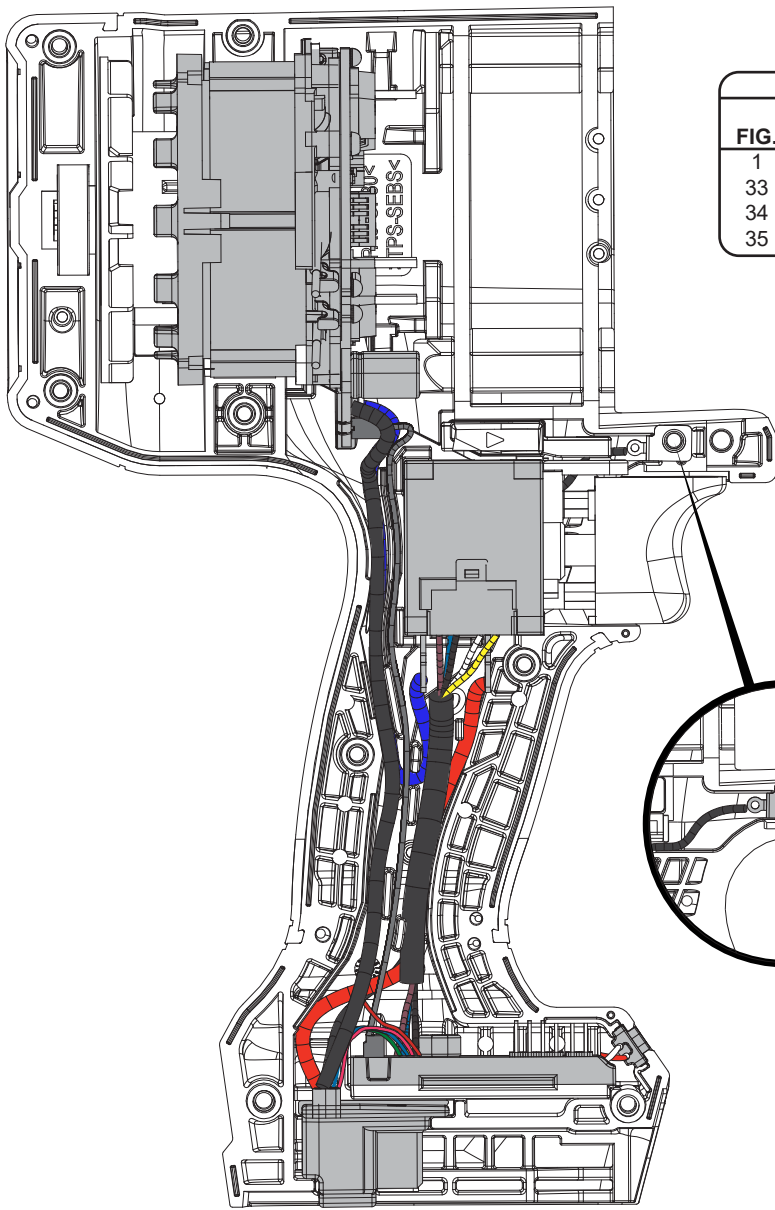


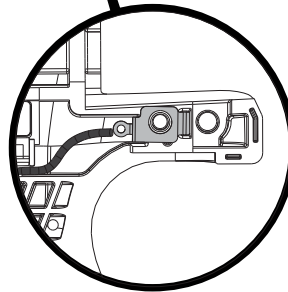
FIG.	PART NO.	DESCRIPTION OF PART	NO. REQ.	FIG.	PART NO.	DESCRIPTION OF PART	NO. REQ.
1	05-81-0002	M5 x 42mm Pan Hd. ST T-25 Screw	(4)	28	34-60-0011	Retaining Ring	(1)
2	14-30-2860	Front Housing Assembly with Bushing	(1)	29	-----	Rotor	(1)
3	45-88-9085	Front Housing Washer	(1)	30	-----	Ball Bearing	(1)
4	44-90-4530	Friction Ring	(1)	31	-----	Retaining Ring	(4)
5	34-40-0900	O-Ring	(1)	32	06-65-0465	Pin	(1)
6	-----	1/2" Square Anvil	(1)	33	06-82-4001	M4 x 22mm Pan Hd. ST T-20 Screw	(1)
7	02-02-0251	6.6mm Steel Ball	(1)	34	06-82-4003	M4 x 16mm Pan Hd. ST T-20 Screw	(6)
8	-----	Hammer	(1)	35	06-82-4002	M4 x 35mm Pan Hd. ST T-20 Screw	(2)
9	-----	3/16" Steel Ball	(28)	39	-----	Housing Cover	(1)
10	-----	Washer	(1)	40	-----	Housing Support	(1)
11	-----	Hammer Spring	(1)	41	45-30-0255	Rubber Slug	(4)
12	-----	6.6mm Steel Ball	(2)	47	12-20-9925	Service Nameplate	(1)
13	45-24-9005	Forward / Reverse Shuttle	(1)	48	06-82-2500	6-32 x 7mm Pan Hd T-15 Screw	(1)
14	-----	Camshaft	(1)	49	42-70-5151	Belt Hook	(1)
15	32-62-2684	Planet Gear	(3)	66	42-55-2820	Carrying Case	(1)
16	44-60-1960	Planet Gear Pin	(3)	101	42-06-7130	1/2" Square Anvil Assy. w/Friction Ring	(1)
17	43-44-8490	Gasket	(1)	102	14-46-9855	Impacting Assembly	(1)
18	34-60-5002	Retaining Ring	(1)	103	14-20-9310	Electronics Assembly	(1)
19	32-65-0375	Ring Gear	(1)	104	16-01-6025	Rotor/End Cap Assembly	(1)
20	44-66-7265	Rear Gear Case	(1)	105	31-44-7155	Housing Assembly	(1)
27	02-04-7210	Ball Bearing	(1)	106	42-70-0950	Belt Clip Service Kit	(1)



**SCREW TORQUE SPECIFICATIONS**

FIG.	PART NO.	WHERE USED	SEAT TORQUE	
			(KG/CM)	(IN/LBS)
1	05-81-0002	Front Housing	40±4	35±4
33	06-82-4001	Housing Cover	16±2	14±2
34	06-82-4003	Housing Cover	16±2	14±2
35	06-82-4002	Housing Cover	16±2	14±2

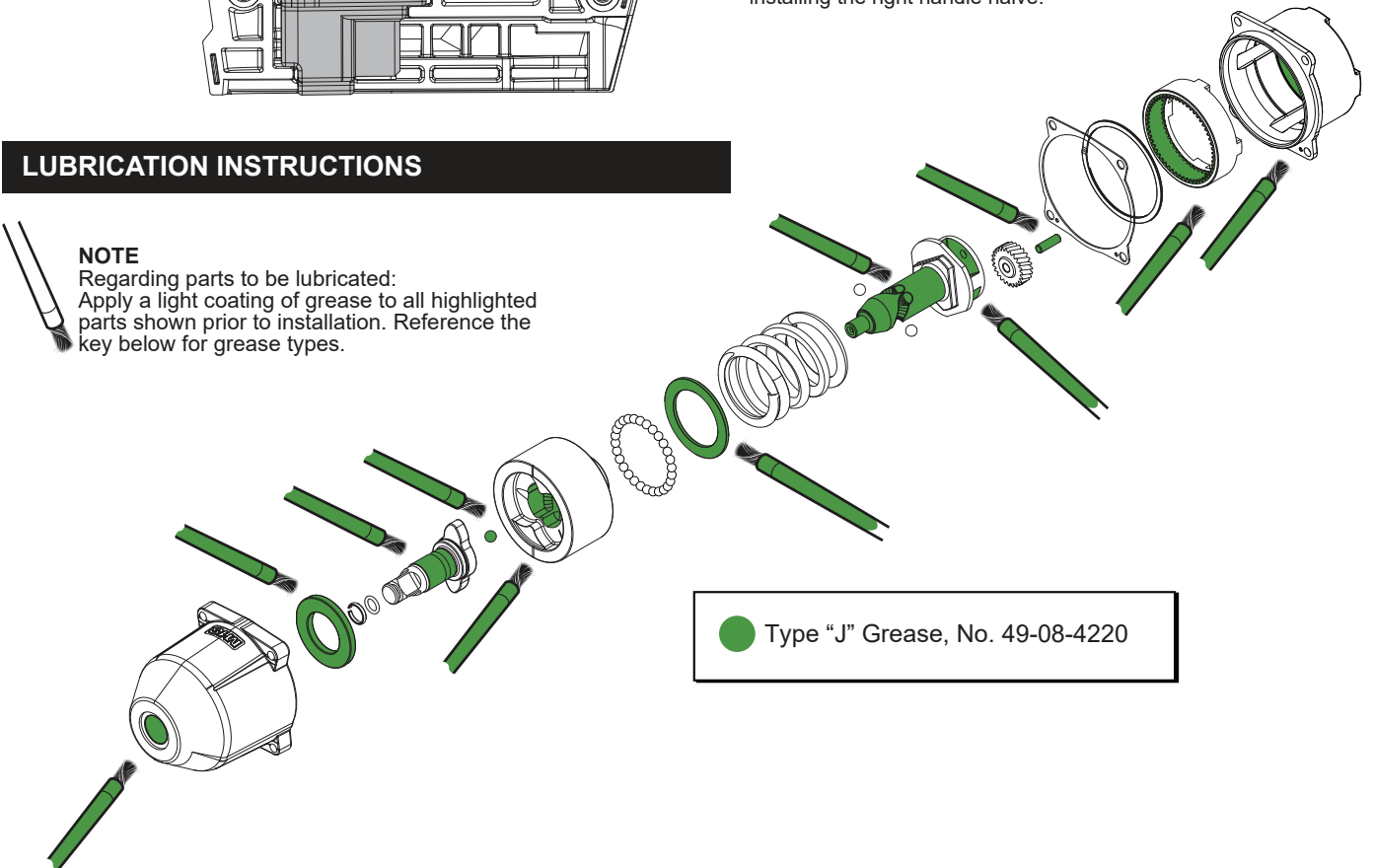
High voltage ground wire shown here with switch removed to illustrate the placement of the ground terminal and the routing of the wire in the left housing half. Be sure terminal is fully seated and wire is pressed down into the wire channel.



Be sure that all wires of the electronics assembly are routed as shown, being careful to push down completely into wire traps. Be sure that the switch, PCBA, battery connector block, LED, stator and speed switch assembly are fully seated prior to installing the right handle half.

**LUBRICATION INSTRUCTIONS**

**NOTE**  
 Regarding parts to be lubricated:  
 Apply a light coating of grease to all highlighted parts shown prior to installation. Reference the key below for grease types.



● Type "J" Grease, No. 49-08-4220