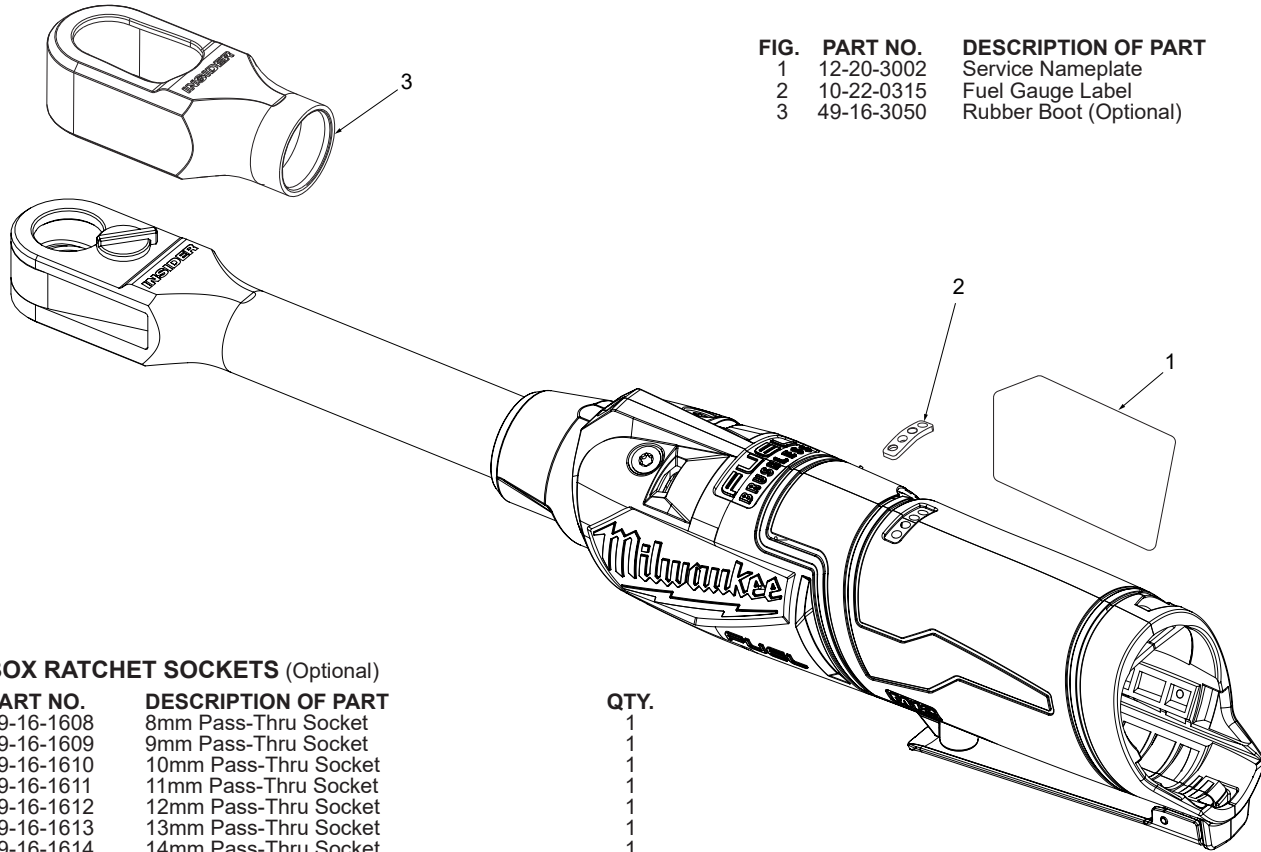




SERVICE PARTS LIST

BULLETIN NO.
54-00-3050

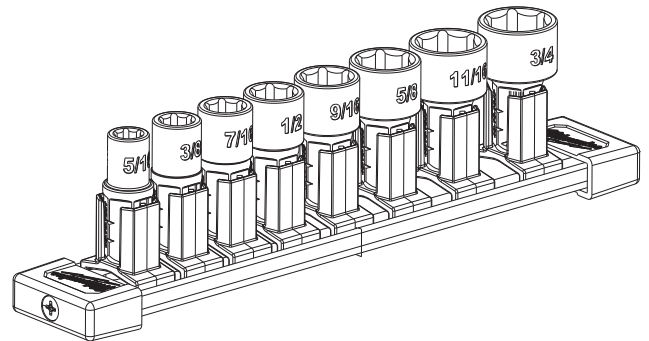
| SPECIFY CATALOG NO. AND SERIAL NO. WHEN ORDERING PARTS | | REVISED BULLETIN | DATE |
|--------------------------------------------------------|----------------|----------------------|-------------|
| M12 FUEL™ INSIDER™ Extended Reach Box Ratchet | | | Nov. 2023 |
| CATALOG NO. | 3050-20 | SERIAL NUMBER | N77A |
| WIRING INSTRUCTION | | | |



| FIG. | PART NO. | DESCRIPTION OF PART | NO. REQ. |
|------|------------|------------------------|----------|
| 1 | 12-20-3002 | Service Nameplate | (1) |
| 2 | 10-22-0315 | Fuel Gauge Label | (1) |
| 3 | 49-16-3050 | Rubber Boot (Optional) | (1) |

BOX RATCHET SOCKETS (Optional)

| PART NO. | DESCRIPTION OF PART | QTY. |
|------------|----------------------------------------|------|
| 49-16-1608 | 8mm Pass-Thru Socket | 1 |
| 49-16-1609 | 9mm Pass-Thru Socket | 1 |
| 49-16-1610 | 10mm Pass-Thru Socket | 1 |
| 49-16-1611 | 11mm Pass-Thru Socket | 1 |
| 49-16-1612 | 12mm Pass-Thru Socket | 1 |
| 49-16-1613 | 13mm Pass-Thru Socket | 1 |
| 49-16-1614 | 14mm Pass-Thru Socket | 1 |
| 49-16-1615 | 15mm Pass-Thru Socket | 1 |
| 49-16-1616 | 16mm Socket | 1 |
| 49-16-1617 | 17mm Socket | 1 |
| 49-16-1618 | 18mm Socket | 1 |
| 49-16-1619 | 19mm Socket | 1 |
| 49-16-1621 | 21mm Socket | 1 |
| 49-16-1641 | 5/16" Pass-Thru Socket | 1 |
| 49-16-1642 | 3/8" Pass-Thru Socket | 1 |
| 49-16-1643 | 7/16" Pass-Thru Socket | 1 |
| 49-16-1644 | 1/2" Pass-Thru Socket | 1 |
| 49-16-1645 | 9/16" Pass-Thru Socket | 1 |
| 49-16-1646 | 5/8" Socket | 1 |
| 49-16-1647 | 11/16" Socket | 1 |
| 49-16-1648 | 3/4" Socket | 1 |
| 49-16-1640 | SAE Pass-Thru Socket Set (shown above) | 1 |
| 49-16-1660 | 1/4" Anvil Adapter | 1 |
| 49-16-1661 | 3/8" Anvil Adapter | 1 |
| 49-16-1662 | 1/2" Anvil Adapter | 1 |
| 49-16-1663 | 1/4" Hex Adapter | 1 |



Please contact 1.800.SAWDUST (1.800.729.3878) to initiate service or check status of a service ticket. You can also return it directly to a Milwaukee factory Service Center or through E-Service.

Send your tool using E-Service at www.milwaukeetool.com/e-service. A copy of the proof of purchase should be included with any returned product. Disassembly is not recommended and could void the warranty.