

Installation Manual

NORITZ AMERICA
CORPORATION

CONDENSING TANKLESS GAS WATER HEATER

EZ111DV (GQ-C3259WX-FF US)
EZ98DV (GQ-C2859WX-FF US)

Potential dangers from accidents during installation and use are divided into the following three categories. Closely observe these warnings, they are critical to your safety.



DANGER

DANGER indicates an imminently hazardous situation which, if not avoided, will result in death or serious injury.



WARNING

WARNING indicates a potentially hazardous situation which, if not avoided, could result in death or serious injury.



CAUTION

CAUTION indicates a potentially hazardous situation which, if not avoided, may result in minor or moderate injury.

WARNING: If the information in this manual is not followed exactly, a fire or explosion may result causing property damage, personal injury or death.



Prohibited



Disconnect
Power



Ground



Be sure to do



CAUTION

Requests to Installers

- In order to use the water heater safely, read this installation manual carefully, and follow the installation instructions.
- Failures and damage caused by erroneous work or work not as instructed in this manual are not covered by the warranty.
- Check that the installation was done properly in accordance with this Installation Manual upon completion.
- After completing installation, please either place this Installation Manual in a plastic pouch and attach it to the side of the water heater (or the inside of the pipe cover or recess box if applicable), or hand it to the customer to retain for future reference. Also, be sure to fill in all of the required items on the warranty and to hand the warranty to the customer along with the Owner's Guide.



FOR USE IN RESIDENTIAL OR MANUFACTURED HOME APPLICATIONS.
Installation must conform with local codes, or in the absence of local codes, the National Fuel Gas Code, ANSI Z223.1/NFPA 54-latest edition and/or the Natural Gas and Propane Installation Code CSA B149.1 - latest edition.



Low NOx Approved by SCAQMD
14 ng/J or 20 ppm
(Natural Gas Only)

When applicable, installation must conform with the Manufactured Home Construction and Safety Standard, Title 24 CFR, Part 3280 or the Canadian Standard CAN/CSA-Z240 MH Mobile Homes, Series M86.



Noritz America reserves the right to discontinue, or change at any time, the designs and/or specifications of its products without notice.

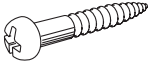
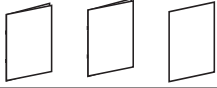
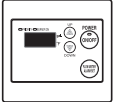

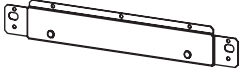
SBB80TB-1
Rev. 05/17



SBB80TB



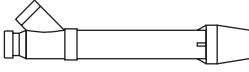

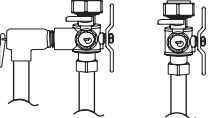

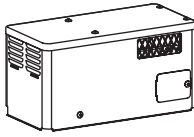
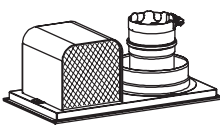
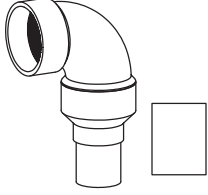
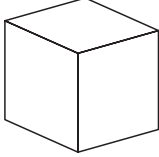
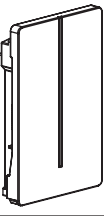


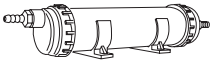
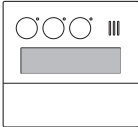
1. Included Accessories

The following accessories are included with the unit. Check for any missing items before starting installation.

Part	Shape	Q'ty	Part	Shape	Q'ty
Anchoring Screw		7	Owner's Guide, Warranty, Installation Manual (this document)		1 each
Remote Controller (See p. 44)		1	Remote Controller Cord (6ft (2m))		1
Wall Mounting Bracket		1			

2. Optional Accessories

The accessories listed below are not included with the units, but may be necessary for installation.

Part	Shape	Q'ty	Part	Shape	Q'ty
Quick Connect Cord (QC-2)		1	Remote Controller Cord (26ft (8m))		1
PVC Concentric Termination 2"(50mm) : PVC-2CT 3"(75mm) : PVC-3CT		1	Bird Screen for 3" (75mm) PVC VT3-PVCS		2
Isolation Valves* (includes pressure relief valve)		1 each	Bird Screen for 2"(50mm) PVC VT2-PVCS		2
Outdoor Vent Cap (VC-6)		1	Flex Vent 2" Conversion Kit (EZ2-CK)		1
2" SV Conversion Kit (SV-CK-2) (• 90° Elbow (With Inlet Screen) • 2"x3" Increaser coupling • 2" Pipe • Installation Manual (Check List))		1 each	Flex Vent 2" Kit 25 Feet** (EZ2FVK-1) Flex Vent 2" Kit 35 Feet** (EZ2FVK-2)		1
Noritz Connect Wireless Adapter NWC-ADAPTER (NAW-1 US)		1	3"(75mm) Horizontal Hood Termination (PVT-HL)		2
Plastic Rain Cap*** (PRC-1)		1	Neutralizer (NC-1) (For 1 water heater)		1
Remote Controller (RC-9018M)		1			

Note: Additional vent pieces are available; consult the latest product catalogue for details.

* Isolation valves are necessary for flushing the Heat Exchanger. They allow for easy flushing of the system.

** During the installation of Flex Vent 2" Kit (EZ2FVK-1 and EZ2FVK-2), ambient temperatures must be greater than 40 °F (5 °C). Afterwards, installation site ambient temperature must be greater than -4 °F (-20 °C). Flex vent pipe breakage may occur if these temperature requirements are not observed.

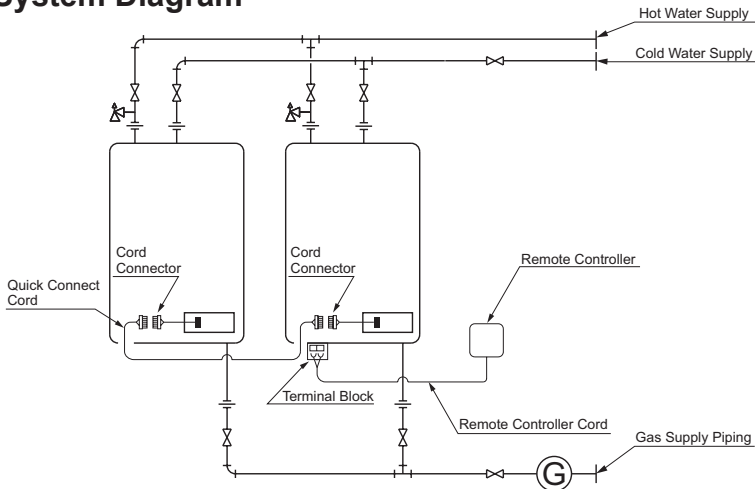
*** Not approved for use in Canada.

3. Quick Connect Multi System Installation

- The Quick Connect Multi System allows the installation of two units together utilizing only the Quick Connect Cord.

The Quick Connect Cord is 6 ft.(2m) long. Install the units 3-18" (75-457mm) apart from each other to ensure the cord will be able to reach between the units. (See Typical Plumbing diagram). (If the distance between the two units is too great, not only will the cord not be able to reach, but the water temperature may also become unstable because of the difference in pipe length between the two units).

System Diagram

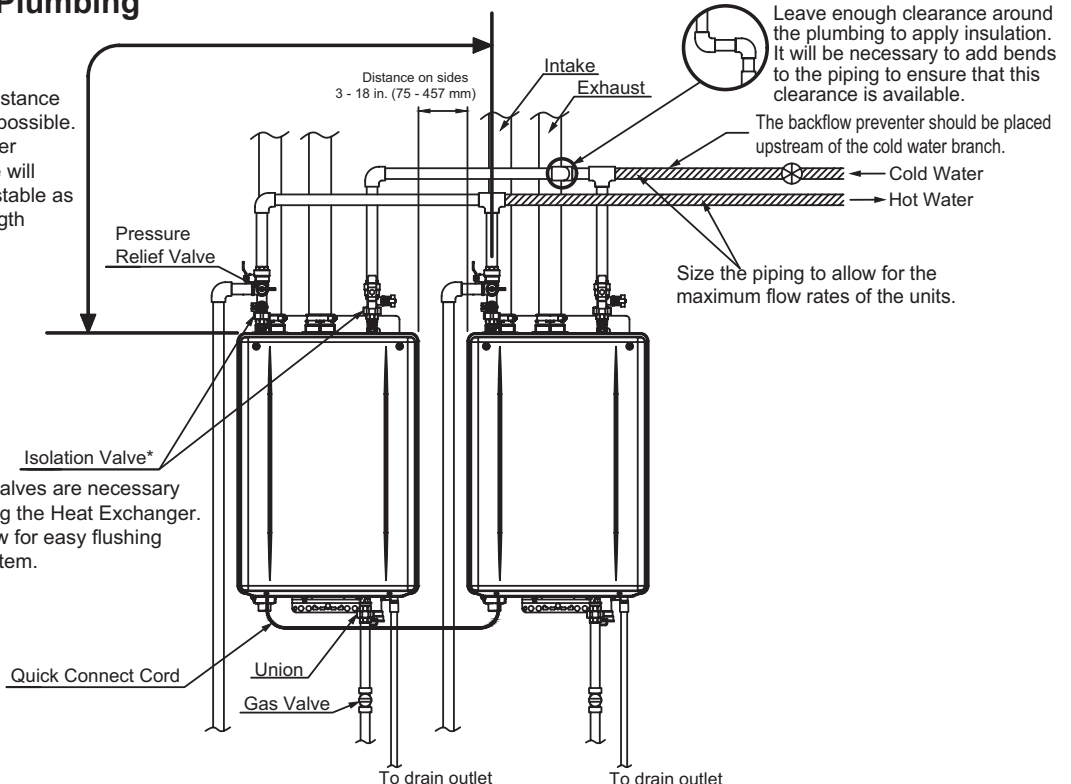


* When connecting two units, use only a single remote controller.

Note: Connect the remote controller to only one of the units. Units must be same model in order to quick connect.

Typical Plumbing

Make this distance as short as possible. The hot water temperature will become unstable as the pipe length increases.



* Isolation valves are necessary for flushing the Heat Exchanger. They allow for easy flushing of the system.

- Insulate the hot water piping to prevent heat loss. Insulate and apply heating materials to the cold water supply piping to prevent heat loss and freezing of pipes when exposed to excessively cold temperatures.

4. Before Installation

DANGER

Checkup

- Check the fixing brackets and vent pipe yearly for damage or wear. Replace if necessary.

WARNING

Precautions on Vent Pipe Replacement

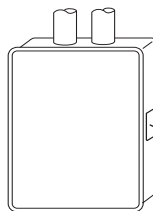
- The vent system will almost certainly need to be replaced when this appliance is being installed. Only use vent materials that are specified in this Installation Manual for use on this appliance. Refer to the "Venting the Water Heater" section for details. If PVC, CPVC, or Category IV listed pipe is already installed, check for punctures, cracks, or blockages and consult with the vent pipe manufacturer before reusing. If the flexible polypropylene pipe is already installed, replace to the new flexible polypropylene pipe. Improper venting may result in fires, property damage or exposure to Carbon Monoxide.

Snow Precaution

- If this product will be installed in an area where snow is known to accumulate, protect the vent termination from blockage by snow drifts or damage from snow falling off of roofs.

Check the Gas

- Check that the rating plate indicates the correct type of gas.
- Check that the gas supply line is sized for 199,900 or 180,000 Btuh.
199,900 Btuh : EZ111DV(GQ-C3259WX-FF US)
180,000 Btuh : EZ98DV(GQ-C2859WX-FF US)



e.g. EZ111DV(GQ-C3259WX-FF US)

Model (Modèle) : EZ111DV(GQ-C3259WX-FF US)	: Natural Gas (Gaz Naturel)
Type of Gas (Type de gaz)	: Max. 199,900 Btuh - Min. 18,000 Btuh
Input Rating (Débit calorifique)	: 237 Gal/h (897 l/h)
Recovery Rating (Capacité de recouvrement)	: Min. 3.5 °W.C. - Max. 10.5 °W.C.
Initial Charge (Chargement initial)	

Check the Power

- The power supply required is 120VAC, at 60Hz.
Using the incorrect voltage may result in fire or electric shock.

Use Extreme Caution if Using With a Solar Pre-Heater

- Using this unit with a solar pre-heater can lead to unpredictable output temperatures and possibly scalding. If absolutely necessary, use mixing valves to ensure output temperatures do not get to scalding levels. Do not use a solar pre-heater with the quick-connect multi-system.

Precautions for Mobile Home Installation

- Verify that the gas supply type matches the gas type listed on the rating plate. If a gas conversion must be done, follow the instructions listed in the gas conversion kit manual.
- If this product will be installed indoors, usage of the SV conversion kit (SV-CK-2) and Flex Vent 2" Conversion Kit (EZ2-CK) are prohibited. Make sure to follow all clearance and venting requirements outlined in this manual.

CAUTION

Do Not Use Equipment for Purposes Other Than Those Specified

- Do not use for other than increasing the temperature of the water supply, as unexpected accidents may occur as a result.

Check Water Supply Quality

- If the water supply is in excess of 12 grains per gallon (200 mg/L) of hardness, acidic or otherwise impure, treat the water with approved methods in order to ensure full warranty coverage.

5. Choosing Installation Site

- * Locate the appliance in an area where leakage from the unit or connections will not result in damage to the area adjacent to the appliance or to the lower floors of the structure. When such installation locations cannot be avoided, a suitable drain pan, adequately drained, must be installed under the appliance. The pan must not restrict combustion air flow.
- * As with any water heating appliance, the potential for leakage at some time in the life of the product does exist. The manufacturer will not be responsible for any water damage that may occur.

DANGER

- Locate the vent terminal so that there are no obstacles around the termination and so that exhaust can't accumulate. Do not enclose the termination with corrugated metal or other materials.

WARNING

- Avoid places where fires are common, such as those where gasoline, benzene and adhesives are handled, or places in which corrosive gases (ammonia, chlorine, sulfur, ethylene compounds, acids) are present.
Using the incorrect voltage may result in fire or cracking.

- Avoid installation in places where dust or debris will accumulate.
Dust may accumulate and reduce the performance of the unit's fan.
This can result in incomplete combustion.

- Avoid installation in places where special chemical agents (e.g., hair spray or spray detergent) are used.
Ignition failures and malfunction may occur as a result.

- Carbon Monoxide Poisoning Hazard. Do not install this water heater in a recreational vehicle or on a boat.

- The manufacturer does not recommend installing the water heater in an attic due to safety issues.

If you install the water heater in an attic:

- Make sure the unit will have enough combustion air and proper ventilation.
- Keep the area around the water heater clean. Dust may accumulate and reduce the performance of the unit's fan. This can result in incomplete combustion.
- Place the unit for easy access for service and maintenance.
- A drain pan, or other means of protection against water damage, is required to be installed under the water heater in case of leaks.

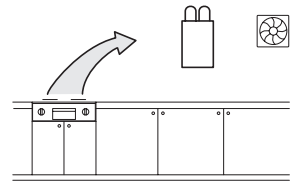


⚠ CAUTION

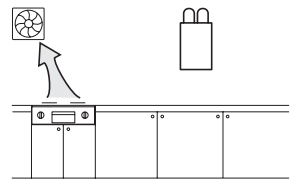
- Install the water heater in a location where it is free from obstacles and stagnant air.
- Consult with the customer concerning the location of installation.
- Do not install the water heater near staircases or emergency exits.
- Install the water heater in an area that allows for the proper clearances to combustible and non-combustible construction. Consult the rating plate on the appliance for proper clearances.
- Do not install the water heater in a place where it may be threatened by falling objects, such as under shelves.
- The water heater must be installed in a place where supply and exhaust pipes can be installed as directed.
- Do not install the water heater where the exhaust will blow on outer walls or material not resistant to heat. Also consider the surrounding trees and animals.
The heat and moisture from the water heater may cause discoloration of walls and resinous materials, or corrosion of aluminum materials.
- Do not locate the vent termination directed towards a window or any other structure which has glass or wired glass facing the termination.
- Avoid installation where the unit will be exposed to excessive winds.
- Avoid installation above gas ranges or stoves.
- Avoid installation between the kitchen fan and stove. If oily fumes or a large amount of steam are present in the installation location, take measures to prevent the fumes and steam from entering in the equipment.
- Install in a location where the exhaust gas flow will not be affected by fans or range hoods.
- Take care that noise and exhaust gas will not affect neighbors. Avoid installation on common walls as the unit will make some operational noises while it is running.
- Before installing, make sure that the exhaust flue termination will have the proper clearances according to the National Fuel Gas Code (ANSI Z223.1-latest edition) or the Natural Gas and Propane Installation Code (CSA B149.1).



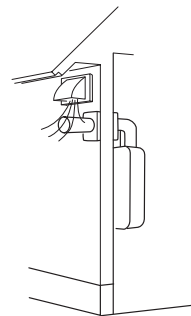
Prohibited



Be sure to do



Prohibited



State of California: The water heater must be braced, anchored or strapped to avoid moving during an earthquake. Contact local utilities for code requirements in your area or call: 1-866-766-7489 and request instructions.

The Commonwealth of Massachusetts:

- 1) This water heater can only be used in outdoor applications if the usage is restricted to summertime usage exclusively.
- 2) The water heater can be used for hot water only and not in a combination of domestic and space heating.

For Venting Manufacturers Requirements, see websites listed below:

Noritz N-Vent

www.noritz.com

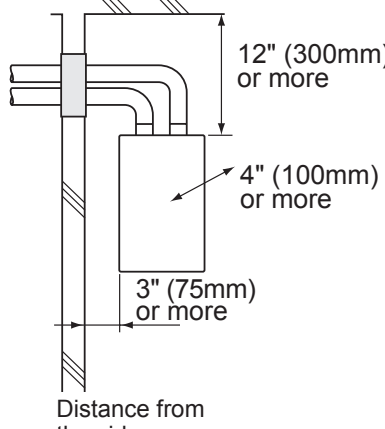
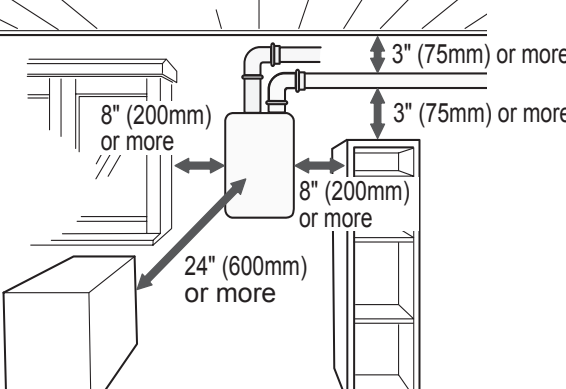
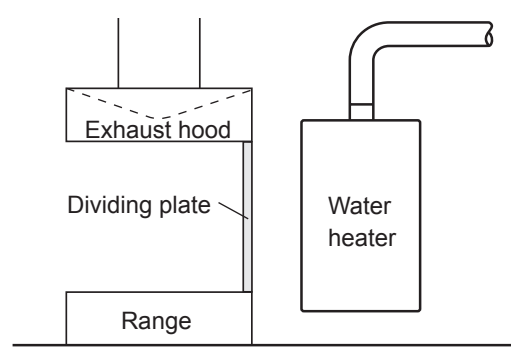
6. Installation Clearances

⚠ WARNING

Before installing, check for the following:

Install in accordance with relevant building and mechanical codes, as well as any local, state or national regulations, or in the absence of local and state codes, to the National Fuel Gas Code ANSI Z223.1/NFPA 54 – latest edition. In Canada, see the Natural Gas and Propane Installation Code CSA B149.1 - latest edition for detailed requirements.

Indoor Installation

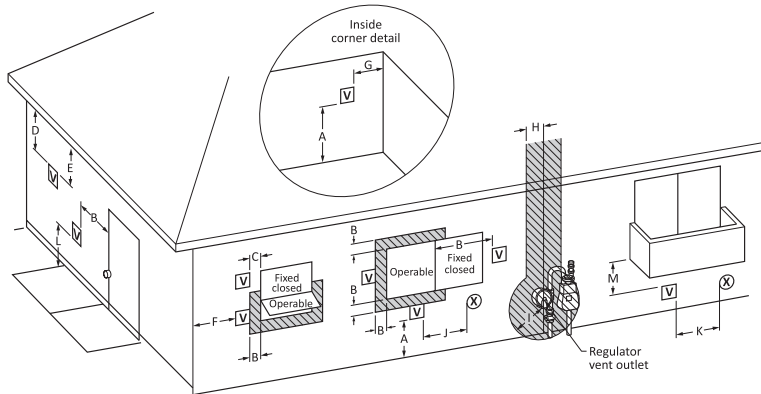
Item	Check	Illustration
Distance from combustibles	<ul style="list-style-type: none"> Maintain the following clearances from both combustible and non-combustible materials. 	 <p>12" (300mm) or more</p> <p>4" (100mm) or more</p> <p>3" (75mm) or more</p> <p>Distance from the side</p>
Securing of space for repair/inspection	<p>In order to facilitate inspection and repair it is recommended to leave:</p> <ul style="list-style-type: none"> 8" (200mm) or more on either side of the unit. 24" (600mm) or more in front of the unit. 3" (75mm) or more above and below the vent pipe. 	 <p>8" (200mm) or more</p> <p>24" (600mm) or more</p> <p>3" (75mm) or more</p> <p>3" (75mm) or more</p>
Cooking Equipment	<p><When the indoor air supply></p> <ul style="list-style-type: none"> If the unit will be installed in the vicinity of a permanent kitchen range or stove that has the possibility of generating steam that contains fats or oils, use a dividing plate or other measure to ensure that the unit is not exposed to air containing such impurities. <p>* The dividing plate should be of non-combustible material of a width greater than the water heater.</p>	 <p>Exhaust hood</p> <p>Dividing plate</p> <p>Range</p> <p>Water heater</p>

Outdoor Installation

Item	Check	Illustration
Required Clearances From Heater	<ul style="list-style-type: none"> Maintain the following clearance from both combustible and non-combustible materials. 	
Surrounding the area of installation	<ul style="list-style-type: none"> When installing the unit in a common side corridor, provide a clearance of 47" (1,190mm) or more in front of the unit. Set the bottom edge of the exhaust port about 84" (2,130mm) from the corridor floor. When installing the unit on a balcony, etc., secure an evacuation route of 24" (600mm) or more in width. Provide clearance of 24" (600mm) or more in front of the unit to facilitate inspection and repair. Do not install the unit in a location where the unit is out of reach, such as the wall of the second floor. 	

Clearance Requirements from Vent Terminations to Building Openings <When supplying combustion air from the outdoors (Direct Vent)>

* All clearance requirements are in accordance with ANSI Z21.10.3 and the National Fuel Gas Code, ANSI Z223.1 and in Canada, in accordance with the Natural Gas and Propane Installation Code CSA B149.1.



- Vent Terminal
- Air Supply Inlet
- Area Where Terminal is Not Permitted

Ref	Description	Canadian Direct Vent Installations ¹	US Direct Vent Installations ²
A=	Clearance above grade, veranda, porch, deck, or balcony	12 in (30 cm)	12 in (30 cm)
B=	Clearance to window or door that may be opened	6 in (15 cm) for appliances ≤ 10,000 Btuh (3kW), 12 in (30 cm) for appliances > 10,000 Btuh (3kW) and ≤ 100,000 Btuh (30 kW), 36 in (91 cm) for appliances > 100,000 Btuh (30 kW)	6 in (15 cm) for appliances ≤ 10,000 Btuh (3kW), 9 in (23 cm) for appliances > 10,000 Btuh (3kW) and ≤ 50,000 Btuh (15 kW), 12 in (30 cm) for appliances > 50,000 Btuh (15 kW)
C=	Clearance to permanently closed window	*	*
D=	Vertical clearance to ventilated soffit located above the terminal within a horizontal distance of 2 feet (61 cm) from the center line of the terminal	*	*
E=	Clearance to unventilated soffit	*	*
F=	Clearance to outside corner	*	*
G=	Clearance to inside corner	*	*
H=	Clearance to each side of center line extended above meter/regulator assembly	*	*
I=	Clearance to service regulator vent outlet	Above a regulator within 3 ft (91 cm) horizontally of the vertical center line of the regulator vent outlet to a maximum vertical distance of 15 ft (4.5 m)	*
J=	Clearance to nonmechanical air supply inlet to building or the combustion air inlet to any other appliance	6 in (15 cm) for appliances ≤ 10,000 Btuh (3kW), 12 in (30 cm) for appliances > 10,000 Btuh (3kW) and ≤ 100,000 Btuh (30 kW), 36 in (91 cm) for appliances > 100,000 Btuh (30 kW)	6 in (15 cm) for appliances ≤ 10,000 Btuh (3kW), 9 in (23 cm) for appliances > 10,000 Btuh (3kW) and ≤ 50,000 Btuh (15 kW), 12 in (30 cm) for appliances > 50,000 Btuh (15 kW)
K=	Clearance to a mechanical air supply inlet	6 ft (1.83 m)	3 ft (91 cm) above if within 10 ft (3 m) horizontally
L=	Clearance above paved sidewalk or paved driveway located on public property	7 ft (2.13 m)†	*
M=	Clearance under veranda, porch, deck, or balcony	12 in (30 cm)‡	*

¹ In accordance with the current CSA B149.1 Natural Gas and Propane Installation Code

² In accordance with the current ANSI Z223.1 / NFPA 54 National Fuel Gas Code

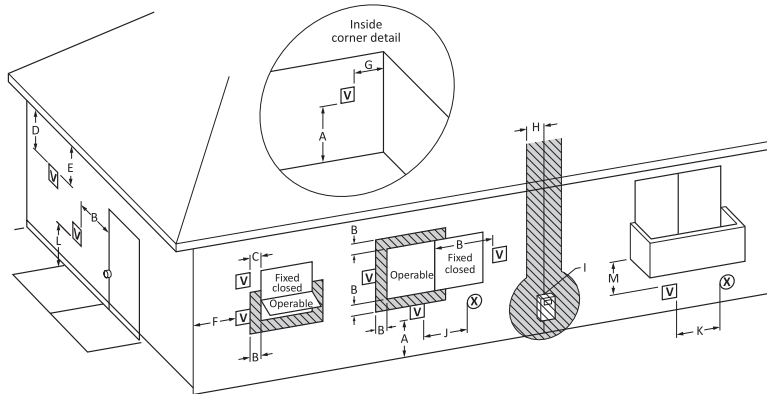
† A vent shall not terminate directly above a sidewalk or paved driveway that is located between two single family dwellings and serves both dwellings.

‡ Permitted only if veranda, porch, deck, or balcony is fully open on a minimum of two sides beneath the floor.

* Clearance in accordance with local installation codes and the requirements of the gas supplier. Clearance to opposite wall is 24 inches (60 cm).

Clearance Requirements from Vent Terminations to Building Openings <Other than Direct Vent>

* All clearance requirements are in accordance with ANSI Z21.10.3 and the National Fuel Gas Code, ANSI Z223.1 and in Canada, in accordance with the Natural Gas and Propane Installation Code CSA B149.1.



Ref	Description	Canadian Non-Direct Vent Installation ¹	US Non-Direct Vent Installation ²
A=	Clearance above grade, veranda, porch, deck, or balcony	12 in (30 cm)	12 in (30 cm)
B=	Clearance to window or door that may be opened	6 in (15 cm) for appliances ≤ 10,000 Btuh (3kW), 12 in (30 cm) for appliances > 10,000 Btuh (3kW) and ≤ 100,000 Btuh (30 kW), 36 in (91 cm) for appliances > 100,000 Btuh (30 kW)	4 ft (1.2 m) below or to side of opening; 1 ft (300 mm) above opening
C=	Clearance to permanently closed window	*	*
D=	Vertical clearance to ventilated soffit located above the terminal within a horizontal distance of 2 feet (61 cm) from the center line of the terminal	*	*
E=	Clearance to unventilated soffit	*	*
F=	Clearance to outside corner	*	*
G=	Clearance to inside corner	*	*
H=	Clearance to each side of center line extended above meter/regulator assembly	*	*
I=	Clearance to service regulator vent outlet	Above a regulator within 3 ft (91 cm) horizontally of the vertical center line of the regulator vent outlet to a maximum vertical distance of 15 ft (4.5 m)	*
J=	Clearance to nonmechanical air supply inlet to building or the combustion air inlet to any other appliance	6 in (15 cm) for appliances ≤ 10,000 Btuh (3kW), 12 in (30 cm) for appliances > 10,000 Btuh (3kW) and ≤ 100,000 Btuh (30 kW), 36 in (91 cm) for appliances > 100,000 Btuh (30 kW)	4 ft (1.2 m) below or to side of opening; 1 ft (300 mm) above opening
K=	Clearance to a mechanical air supply inlet	6 ft (1.83 m)	3 ft (91 cm) above if within 10 ft (3 m) horizontally
L=	Clearance above paved sidewalk or paved driveway located on public property	7 ft (2.13 m)†	*
M=	Clearance under veranda, porch, deck, or balcony	12 in (30 cm)‡	*

¹ In accordance with the current CSA B149.1 Natural Gas and Propane Installation Code

² In accordance with the current ANSI Z223.1 / NFPA 54 National Fuel Gas Code

† A vent shall not terminate directly above a sidewalk or paved driveway that is located between two single family dwellings and serves both dwellings.

‡ Permitted only if veranda, porch, deck, or balcony is fully open on a minimum of two sides beneath the floor.

* Clearance in accordance with local installation codes and the requirements of the gas supplier. Clearance to opposite wall is 24 inches (60 cm).

7. Installation



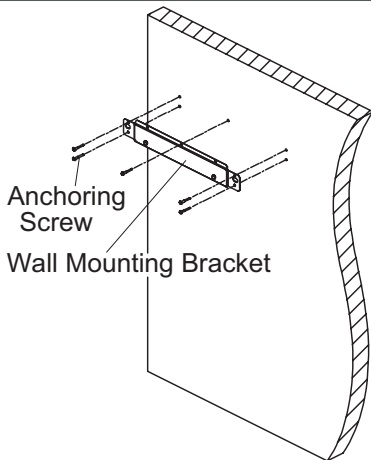
Be sure to do

- The weight of the device will be applied to the wall. If the strength of the wall is not sufficient, reinforcement must be done to prevent the transfer of vibration.
- Do not drop or apply unnecessary force to the device when installing. Internal parts may be damaged and may become highly dangerous.
- Install the unit on a vertical wall and ensure that it is level.

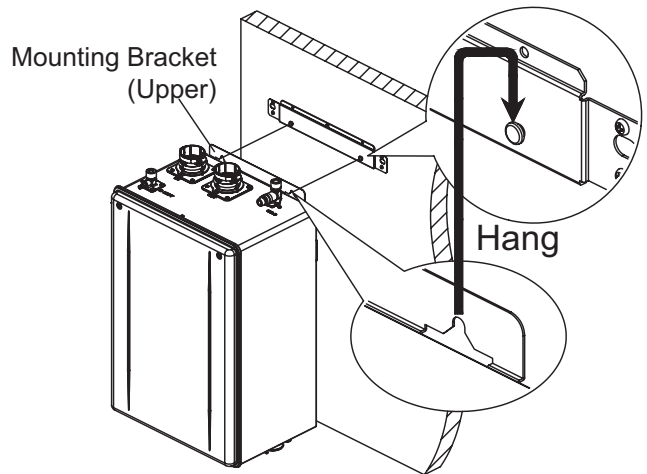
Mounting the Water Heater to the wall

CAUTION

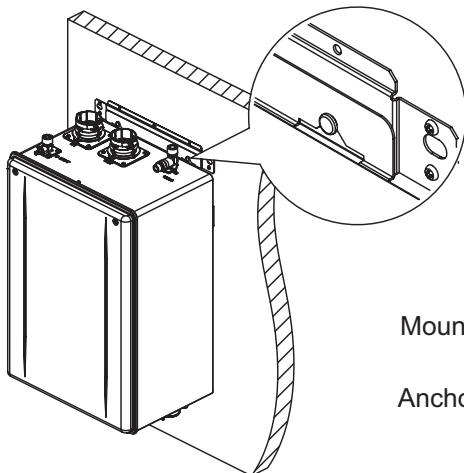
- When installing with bare hands, take caution to not inflict injury.
- Be careful not to hit electrical wiring, gas, or water piping while drilling holes.



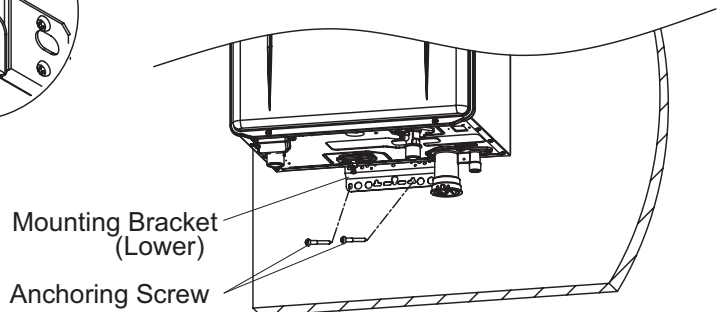
1. Drill holes for the Wall Mounting Bracket. Affix the Wall Mounting Bracket securely to the wall by 5 screws. Ensure that it is leveled, and it can support the weight of the water heater.



- 2-1. Hang the water heater on the Wall Mounting Bracket.

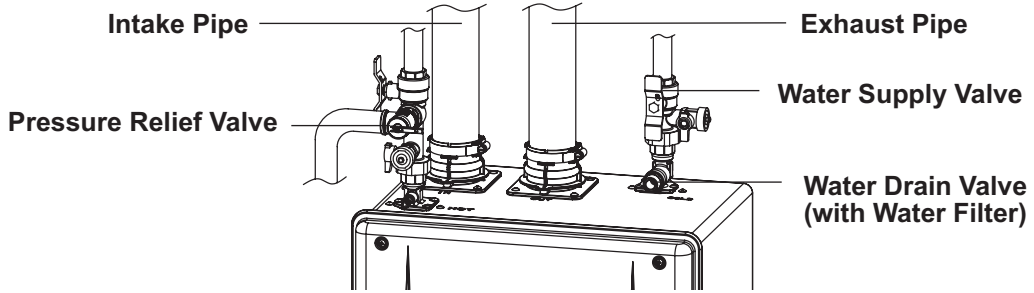


- 2-2. Hang the water heater on the Wall Mounting Bracket.



3. Affix the Mounting Bracket (Lower) to the wall by 2 screws.

Typical plumbing (Direction of the isolation valve)

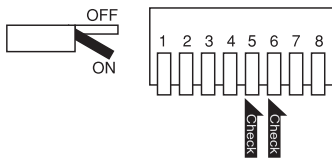


Elevation Adjustment Above 2,000ft

- Adjust the dip switches as illustrated in the table to the below if this water heater is installed at an altitude of 2000 ft. (610m) or higher.
- Disconnect power to the water heater before changing the dip switches. Failure to perform this step will result in a "73" code displayed on the remote controller and a cease in operation. If this occurs, disconnect, then reconnect power to the water heater to reset the system.

Note : Please refer to page 28 for the location of the dip switch bank.

* Do not change any other dip switches.



High Elevation Adjustment	Dip Switches	
	#5	#6
0 - 2,000 ft (0 - 610m)	○	○
2,001 - 4,000 ft (611 - 1,220m)	●	○
4,001 - 7,000 ft (1,221 - 2,135m)	○	●
7,001 - 10,000 ft (2,136 - 3,050m)	●	●

ON= ● OFF= ○

Filling the condensate container with water

The condensate container can be filled before connecting the vent pipe.

Filling the condensate container before vent pipe installation.

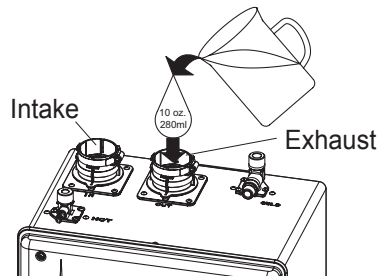


DANGER

Prior to initial start up, make sure that you fill the condensate container with water. This is to prevent dangerous exhaust gases from entering the building. Failure to fill the condensate container could result in severe personal injury or death.

Please follow one of the procedures described below to ensure that the condensate container is filled with water.

- 1) Fill the condensate container by pouring approx. 10 oz.(280ml) of water into the exhaust accessory on the top of the appliance as illustrated below.



Or, if the vent pipe has already been installed:

- 2) After installing the drain pipe, make sure that the area around the appliance is well ventilated; open a window or a door if necessary.

Then, operate the unit and verify that condensate is coming out of the drain pipe.

(During normal use of the water heater, condensate will begin to discharge from the drain pipe within 15 minutes of use. However, depending on the season and/or installation site conditions, it may take longer.)

8. Venting the Water Heater

⚠️ WARNING



Be sure to do

CARBON MONOXIDE POISONING

Follow all vent system requirements in accordance with relevant local or state regulation, or, in the absence of local or state code, in the U.S. to the National Fuel Gas Code ANSI Z233.1/NFPA 54 – latest edition, and in Canada, in accordance with the Natural Gas and Propane Installation Code CSA B149.1 – latest edition.

Indoor Installation when using PVC/CPVC/PP material

General Requirements

- This is a Category IV appliance. Only vent materials approved for use with Category IV appliances should be used.
- Under normal conditions, this appliance will not produce an exhaust flue temperature in excess of 149°F (65°C) and schedule 40 PVC pipe may be used as the vent material. If required by local code, use schedule 40/80 CPVC or PP. Refer to page 16 for additional requirements.
- Make sure the vent system is gas tight and will not leak.
- Support the vent pipe with hangers at regular intervals as specified by these instructions or the instructions of the vent manufacturer.
- This appliance is suitable for Common Vent System. To make a Common Vent System, optional accessories are required. Contact Noritz America at <http://support.noritz.com/> or 1-866-766-7489 for details.
- The total vent length including horizontal & vertical vent runs should be no less than 3' (0.9m).
- Do not store hazardous or flammable substances near the vent termination and check that the termination is not blocked in any way.
- Steam or condensed water may come out from the vent termination. Select the location for the termination so as to prevent injury or property damage.
- If snow is expected to accumulate, take care the end of the pipe is not covered with snow or hit by falling lumps of snow.

Maximum Vent Lengths

- This appliance has been designed to be vented with either 2" (50mm) or 3" (75mm) PVC, CPVC or PP pipe.

Do not exceed the following maximum vent lengths:

Pipe diameter	2" (50mm)	3" (75mm)
No. of Elbows	Max. Straight Vent Length*	
8	N/A	60' (18.0m)
7	N/A	63' (18.9m)
6	12' (3.6m)	69' (20.7m)
5	18' (5.4m)	75' (22.5m)
4	27' (8.1m)	78' (23.4m)
3	36' (10.8m)	84' (25.2m)
2	42' (12.6m)	90' (27.0m)
1	51' (15.3m)	93' (27.9m)

* Not including the termination

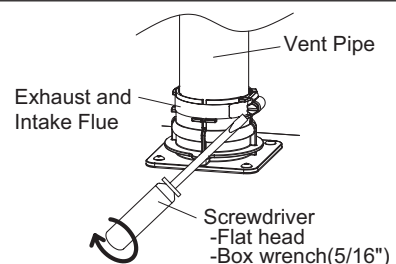
Refer to pages 20 for max. vent lengths
When using PVC Concentric Termination.

Clearances

PVC, CPVC or PP has been approved for use on this appliance with zero clearance to combustibles.

How to tighten the Vent Pipe

1. Continue to insert the Vent Pipe until it reaches to the base of the unit Exhaust and Intake Flue. (The Vent Pipe will be inserted approximately 2.3"(60mm).)
2. Secure the Vent Pipe by tightening the band using a screwdriver
(The tightening torque shall be between 16 and 20 in lb.)



Maximum Vent Length Adjustment Dip switches

The unit can be adjusted to accommodate longer vent runs; refer to the below table to find the maximum vent length based on the number of elbows. Adjust the dip switches according to the vent condition noted in the tables below.

Note: By default, the unit has been set to the "① short length using 2" (50mm) pipe" condition. When adjusting the dip switches for longer vent runs, the BTUH input of the appliance will be reduced by up to 9%.

<Maximum Vent Length Configurations>

● 2" Pipe

Vent length*			Elbows							
ft	m	Number of pieces**	0	1	2	3	4	5	6	
3	0.9	1								
6	1.8	2		①						
9	2.7	3			①					
12	3.6	4				①				
15	4.5	5					①			
18	5.4	6						①		
21	6.3	7							①	
24	7.2	8					②			
27	8.1	9						②		
30	9.0	10							②	
33	9.9	11								
36	10.8	12								
39	11.7	13								
42	12.6	14								
45	13.5	15								
48	14.4	16								
51	15.3	17								
54	16.2	18								
57	17.1	19								
60	18.0	20								

* Not including the termination.

** Table assumes straight vent pieces are 3' (0.9m) each. Shorter or longer vent pieces may also be used up to the maximum allowed vent length.

● 3" Pipe

Vent length*			Elbows									
ft	m	Number of pieces**	0	1	2	3	4	5	6	7	8	
3	0.9	1										
6	1.8	2										
9	2.7	3										
12	3.6	4										
15	4.5	5										
18	5.4	6					③					
21	6.3	7										
24	7.2	8										
27	8.1	9										
30	9.0	10										
33	9.9	11										
36	10.8	12										
39	11.7	13										
42	12.6	14										
45	13.5	15										
48	14.4	16										
51	15.3	17										
54	16.2	18										
57	17.1	19						④				
60	18.0	20										
63	18.9	21										
66	19.8	22										
69	20.7	23										
72	21.6	24										
75	22.5	25										
78	23.4	26										
81	24.3	27										
84	25.2	28										
87	26.1	29										
90	27.0	30										
93	27.9	31										
96	28.8	32										
99	29.7	33										
100	30.0	34										

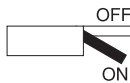
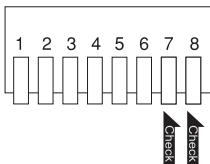
* Not including the termination.

** Table assumes straight vent pieces are 3' (0.9m) each. Shorter or longer vent pieces may also be used up to the maximum allowed vent length.

[Dip Switch Adjustment]

Vent length condition	Dip switches	
	#7	#8
① Short length using 2" (50mm) pipe	<input type="radio"/>	<input type="radio"/>
② Long length using 2" (50mm) pipe	<input checked="" type="radio"/>	<input type="radio"/>
③ Short length using 3" (75mm) pipe	<input type="radio"/>	<input checked="" type="radio"/>
④ Long length using 3" (75mm) pipe	<input checked="" type="radio"/>	<input checked="" type="radio"/>

ON = ● OFF = ○




- Do not change any other dip switches.
- Please refer to page 28 for the location of the dip switch bank.

[Vent length example]

Using 2"(50mm) pipe, Vent length = 42 ft. (12.6m) and Two 90° elbows
→ Set at "② long length using 2" (50mm) pipe" condition.

- Disconnect power to the water heater before changing the dip switches. Failure to perform this step will result in a "73" code displayed on the remote controller and a cease in operation. If this occurs, disconnect, then reconnect power to the water heater to reset the system.



The power must be unplugged when adjusting the dip switches to switch the airflow amount.

Venting With PVC, CPVC or PP

This appliance can be vented with non cellular core plastic pipe materials as specified in the below table. Vent installations in Canada which utilize plastic vent systems must comply with ULC S636.

Item	Material	United States	Canada
Exhaust Vent/Air Intake	Schedule 40 PVC	ANSI/ASTM D1785	CSA B137.3
	PVC-DWV	ANSI/ASTM D2665	CSA B181.2
	Schedule 40 CPVC	ANSI/ASTM F441	CSA B137.3
	Polypropylene*	Centrotherm-InnoFule®, DuraVent-Polypro® (certified ULC 636S)	
Pipe Cement/Primer	PVC	ANSI/ASTM D2564	ULC S636 Certified Materials Only
	CPVC	ANSI/ASTM F493	
Note: Use of cellular core PVC (ASTM F891), cellular core CPVC, or Radel® (polyphenylsulfone) in non-metallic venting system is prohibited.			


* Polypropylene : Only listed manufacture specified vent parts may be used for this appliance. Refer to the manufacture's literature for detailed information.

Approved Vent Manufacture	Parts#
Centrotherm - InnoFlue® PP	Single Wall Pipe (2"/3") : ISVL02xx(UV) / 03xx(UV), ISEP02xx / 03xx, ISIA0203 Elbow : ISELL0287(UV) / 0387(UV), ISELL0245 / 0345 Termination** : ISELL0287UV / 0387UV, ISTT0220 / 0320 Bird Screen : IASPP02/03

** Applicable vent termination are "90 degree elbow" or "Tee type". Concentric vent termination of polypropylene are prohibited.

PVC / CPVC / PP Installation Instructions

- Use only solid PVC / CPVC (schedule 40) or PP pipe. Cellular foam core piping is not allowed.
- Covering non-metallic vent pipe and fittings with thermal insulation is prohibited.
- 2" or 3" schedule 80 pipe may also be used on this appliance, however the BTUH input of the appliance will be reduced by up to 9%.
- In Canada, plastic vent systems must be certified to ULC S636. The components of the certified vent system must not be interchanged with other vent systems or unlisted pipe/fittings.
- In Canada, specified primers and glues of the ULC S636 certified vent system must be from a single system manufacturer and not intermixed with other system manufacturer's vent system parts.
- Follow all general venting guidelines as outlined on this page.
- PVC, CPVC or PP pipe has been approved for use on this appliance with zero clearance to combustibles.
- The pipe shall be installed so that the first 3' (0.9m) of pipe from the appliance flue outlet is readily accessible for visual inspection.
- When preparing and assembling the pipe, follow instructions as provided by the pipe manufacturer. In general, the following practices must be observed:
 - o Squarely cut all pieces of pipe.
 - o Remove all burs and debris from joints and fittings.
 - o All joints must be properly cleaned, primed, and cemented. Use only cement and primer approved for use with the pipe material as outlined in the above table.



WARNING

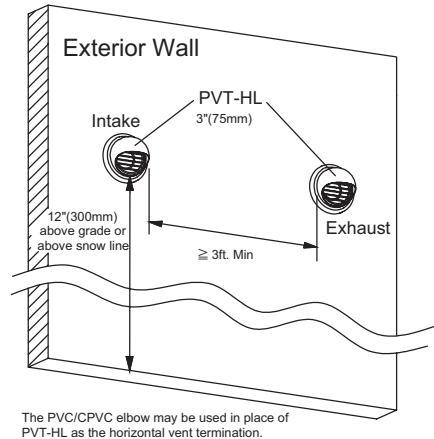
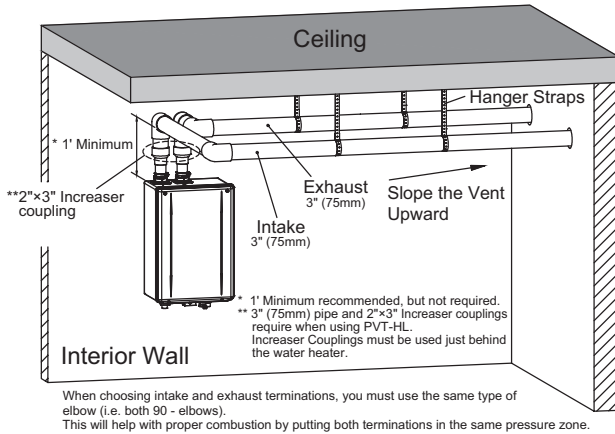
CARBON MONOXIDE POISONING
Failure to properly seal the vent system could cause flue products to enter the living space.

- All piping must be fully supported. Use pipe hangers at a minimum of 3' (0.9m) intervals. Do not use the water heater to support the vent piping.
- When attaching the piping to the water heater, use the appropriate primer and cement to ensure a proper seal.
- A bird screen must be installed on the vent terminations to prevent debris or animals from entering the piping. These screens are not supplied with the water heater and must be purchased separately,

Vent Material	Bird Screen Parts #
2" (50mm)/3"(50mm) PVC or CPVC	VT2-PVCS / VT3-PVCS
Centrotherm - 2"(50mm)/3"(75mm) PP	IASPP02 / IASPP03

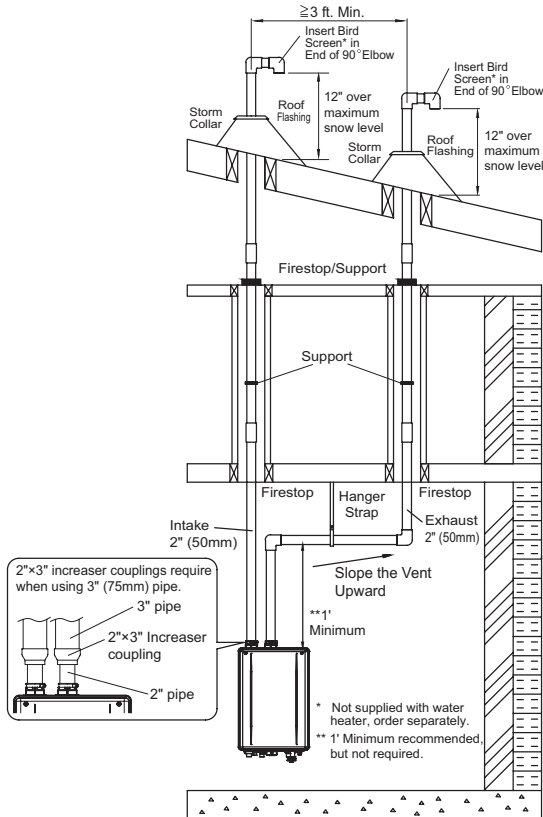
Vent Pipe Installation

Horizontal Vent Termination - PVC/CPVC Material Only (when using PVT-HL termination)



- Make sure to keep a distance of 3' (0.9m) or wider between the intake and exhaust when installing the vent piping. If 3' (0.9m) distance between Intake and Exhaust cannot be ensured, the installation can be carried out only in the installation method shown in page 18.
- Terminate at least 12" (300mm) above grade or above snow line.
- Slope the horizontal vent 1/4" upwards for every 12" (300mm) toward the termination.
- Use a condensation drain if necessary.
- In the Commonwealth of Massachusetts a carbon monoxide detector is required for all side wall horizontally vented gas fuel equipment. Please refer to Technical Bulletin TB 010606 for full installation instructions.

Vertical Vent Termination - PVC, CPVC or PP Material

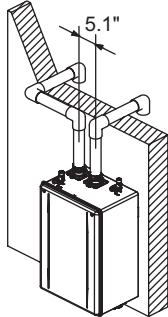


- As illustrated on the left, make sure to keep a distance of 3' (0.9m) or wider between the intake and exhaust when installing the vent piping.
- Terminate at least 3' (0.9m) from the combustion air intake of any appliance and any other building opening.
- Enclose exterior vent systems below the roof line to limit condensation and protect against mechanical failure.
- When the vent penetrates a floor or ceiling and is not running in a fire rated shaft, a firestop and support is required.
- When the vent termination is located not less than 8' (2.4m) from a vertical wall or similar obstruction, terminate above the roof at least 2' (0.6m), but not more than 6' (1.87m), in accordance with the National Fuel Gas Code ANSI Z223.1/NFPA 54 or Natural Gas and Propane Installation Code CSA B149.1.
- Provide vertical support every 3' (0.9m) or as required by the vent pipe manufacturer's instructions.
- A short horizontal section is recommended to prevent debris from falling into the water heater.
- When using a horizontal section, slope the horizontal vent 1/4" upwards for every 12" (300mm) toward the termination to drain condensate.
- When using 3" (75mm) pipe, it will be necessary to use 2" (50mm) x 3" (75mm) increaser couplings and a short section 2" (50mm) pipe to connect the Exhaust and Intake Flue of the Water Heater. Use maximum 6" (150mm) section of pipe to make the connection between the increaser couplings and the Exhaust and Intake Flue of the Water Heater.

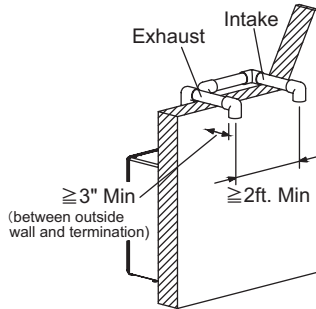
Vent Pipe Installation

Alternate Horizontal Vent Termination- PVC, CPVC or PP Material

- * When 3' (0.9m) distance between Intake and Exhaust cannot be ensured.
- * Can not use Hood termination (PVT-HL)
- * Insert the bird screen. 90° elbow vertical setting (downward).
- * Ensure at least 3ft (0.9m) or more distance between the near edge of the air intake pipe or exhaust pipe to the inside corner of a wall.
- * Intake and exhaust should face the same direction. Intake and exhaust should keep the same pressure zone.

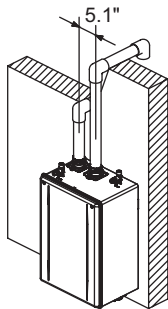


Interior View

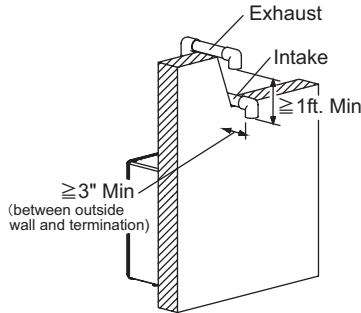


Exterior View

- Ensure at least 2ft (0.6m) or more distance between intake pipe and exhaust pipe. The distance is measured at inside of pipe to inner dimension.

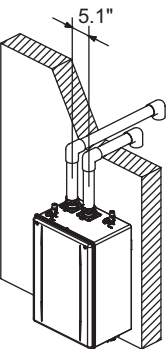


Interior View

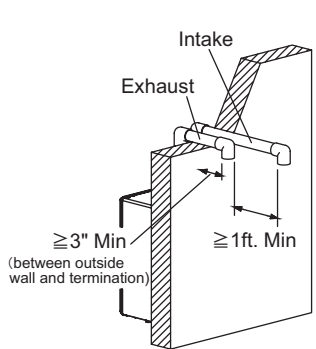


Exterior View

- Upper side is exhaust, lower side is intake. The reverse orientation is not allowed.
- Ensure at least 1ft (0.3m) or more distance between intake pipe and exhaust pipe. The distance is measured at the outlets of intake port (terminal) and exhaust port (terminal).



Interior View



Exterior View

- The side distant from wall is intake, the side near the wall is exhaust. The reverse orientation is not allowed.
- Ensure at least 1ft (0.3m) or more distance between intake pipe and exhaust pipe. The distance is measured at inside of pipe to inner dimension.



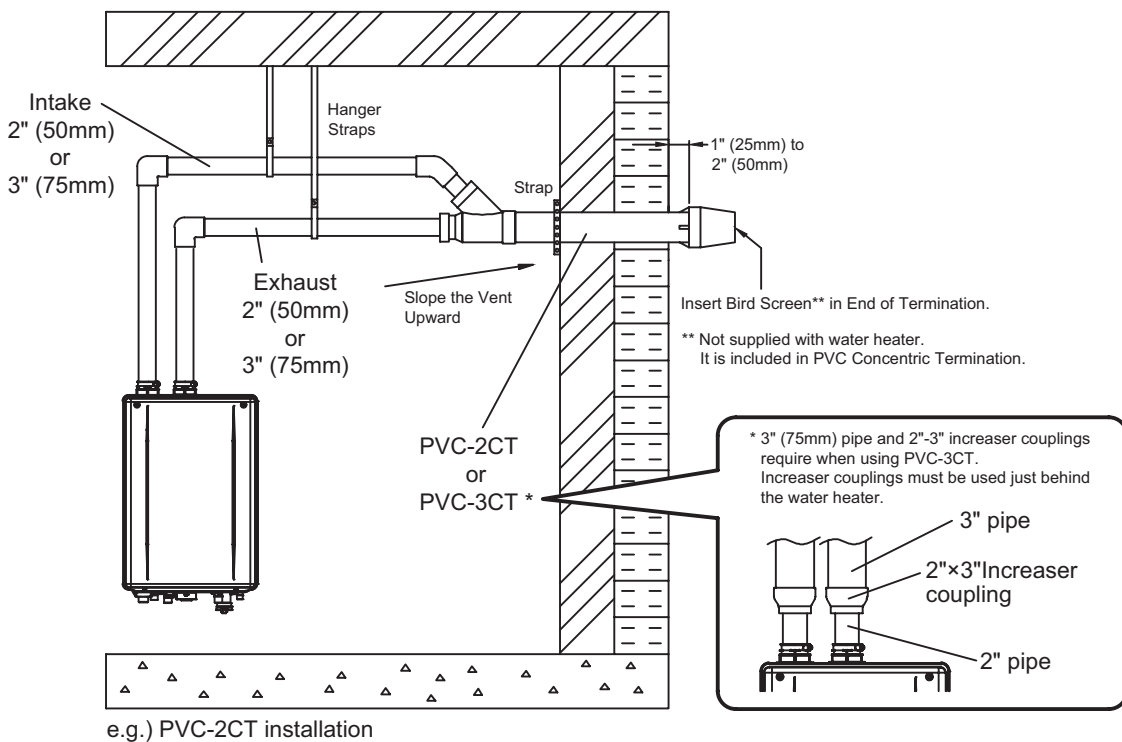
WARNING

- If the distance between the air inlet and exhaust vent terminations is too short, the water heater will draw in the exhaust gases through the intake. There is a risk of inadequate combustion air for the water heater, increasing Carbon Monoxide (CO) emissions and noise due to vibration.
- Termination elbows must be oriented vertically, pointing directly downward. Attempts to prevent exhaust air from entering the air inlet by angling termination elbows in directions other than directly downward will increase the risk of freezing.
- Reversing the air intake and exhaust pipes is not allowed. Carbon Monoxide (CO) emissions and noise due to vibration will increase.

PVC Concentric Termination- PVC/CPVC Materials Only

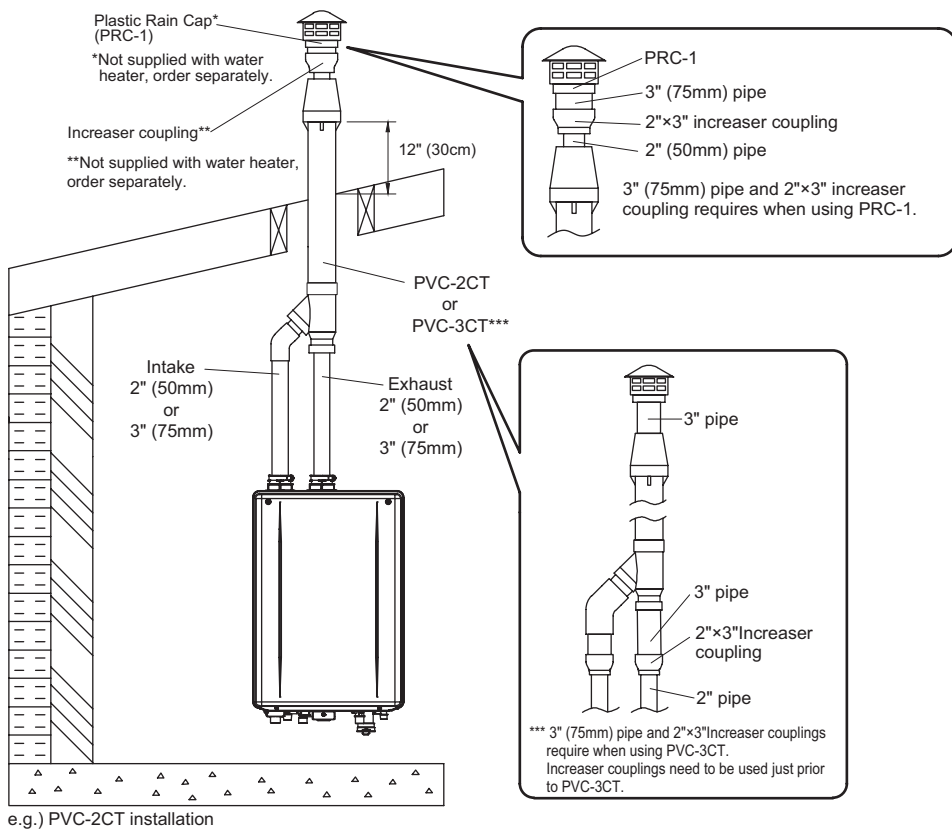
- The concentric termination may be shortened, but not lengthened from its original factory supplied length.
- 2" (50mm) or 3" (75mm) PVC or CPVC pipe may be used with the concentric termination. Maintain the same vent pipe diameter from the water heater flue to the termination.
- Do not exceed the maximum vent lengths as shown on next page 20.
- When using 3" (75mm) pipe, it will be necessary to use 2" (50mm) x 3" (75mm) increaser couplings and a short section 2" (50mm) pipe to connect the Exhaust and Intake Flue of the Water Heater. Use maximum 6" (150mm) section of pipe to make the connection between the increaser couplings and the Exhaust and Intake Flue of the Water Heater.
- There must be a 1" (25mm) to 2" (50mm) clearance between the outside wall and the air intake section of the termination as illustrated below.
- Install a securing strap to prevent movement of the termination.
- Terminate at least 12" (300mm) above grade or above snow line.
- For vertical installation, terminate at least 3' (0.9m) from the combustion air intake of any appliance and any other building opening.
- Slope the horizontal vent 1/4" upwards for every 12" (300mm) toward the termination.
- Use a condensation drain if necessary.
- In the Commonwealth of Massachusetts a carbon monoxide detector is required for all side wall horizontally vented gas fuel equipment. Please refer to Technical Bulletin TB 010606 for full installation instructions

Horizontal



Continue to next page

Vertical



< Maximum Vent length when using PVC-2CT or PVC-3CT >

● 2" Pipe

Vent length*			Elbows							
ft	m	Number of pieces**	0	1	2	3	4	5	6	
3	0.9	1								
6	1.8	2								
9	2.7	3		①						
12	3.6	4								
15	4.5	5								
18	5.4	6								
21	6.3	7								
24	7.2	8								
27	8.1	9								
30	9.0	10								
33	9.9	11								
36	10.8	12								
39	11.7	13								
42	12.6	14								
45	13.5	15								
48	14.4	16								
51	15.3	17								
54	16.2	18								
57	17.1	19								
60	18.0	20								

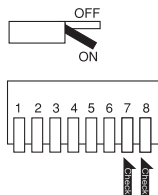
* Not including the termination.

** Table assumes straight vent pieces are 3' (0.9m) each. Shorter or longer vent pieces may also be used up to the maximum allowed vent length.

[Dip Switch Adjustment]

Vent length condition	Dip switches	
	#7	#8
① Short length using 2" (50mm) pipe	○	○
② Long length using 2" (50mm) pipe	●	○
③ Short length using 3" (75mm) pipe	○	●
④ Long length using 3" (75mm) pipe	●	●

ON = ● OFF = ○



● 3" Pipe

Vent length*			Elbows								
ft	m	Number of pieces**	0	1	2	3	4	5	6	7	8
3	0.9	1									
6	1.8	2									
9	2.7	3									
12	3.6	4									
15	4.5	5									
18	5.4	6									
21	6.3	7									
24	7.2	8									
27	8.1	9									
30	9.0	10									
33	9.9	11									
36	10.8	12									
39	11.7	13									
42	12.6	14									
45	13.5	15									
48	14.4	16									
51	15.3	17									
54	16.2	18									
57	17.1	19									
60	18.0	20									
63	18.9	21									
66	19.8	22									
69	20.7	23									
72	21.6	24									
75	22.5	25									
78	23.4	26									
81	24.3	27									
84	25.2	28									
87	26.1	29									
90	27.0	30									
93	27.9	31									
96	28.8	32									
99	29.7	33									
100	30.0	34									

* Not including the termination.

** Table assumes straight vent pieces are 3' (0.9m) each. Shorter or longer vent pieces may also be used up to the maximum allowed vent length.

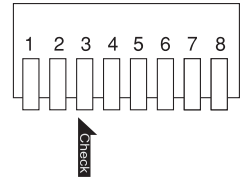
Vent Pipe Installation (When supplying combustion air from the indoors (SV, non-direct vent))

⚠ DANGER

When installing this water heater in an area with a large amount of lint such as a commercial Laundromat, direct-vent ("D-V") system must be used. The "-SV" configuration (using SV conversion kit) is prohibited. When installing this water heater in a mobile home, all combustion must be drawn directly from the outdoors. The "-SV" configuration (using SV conversion kit) is prohibited.

- Disconnect power and turn ON dip switch #3 if combustion air will be supplied from the indoors as illustrated to the right. Refer to page 28 for the location of the dip switch bank.
- SV Conversion kit SV-CK-2 is required for the air intake.
- Noritz recommends to install a Carbon Monoxide Alarm in installation site of the unit when supplying combustion air from the indoors.

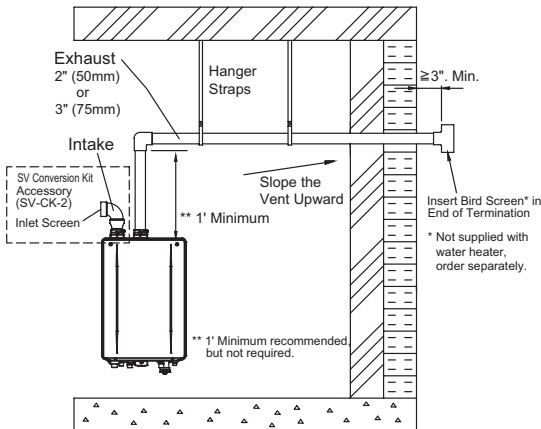
* Dip switch No.3 is turned on.



⚠ WARNING

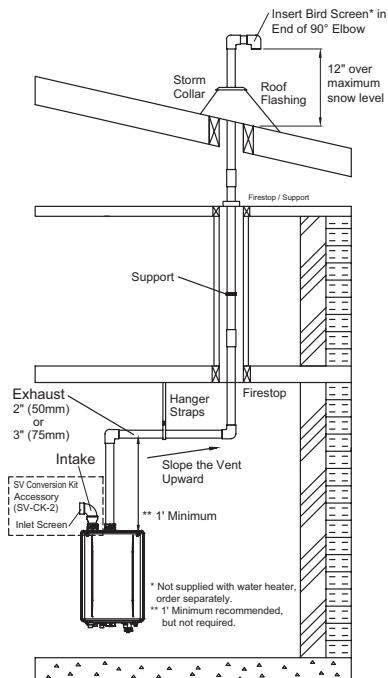
Failure to perform the above 2 steps could result in a fire or explosion causing property damage, personal injury or death. Refer to the instructions provided with the conversion kit for additional details.

Horizontal Vent Termination



- A tee, the PVT-HL termination may be used for the vent termination. It is not necessary to use bird screens with the PVT-HL termination.
- Terminate at least 12" (300mm) above grade or above snow line.
- Slope the horizontal vent 1/4" upwards for every 12" (300mm) toward the termination.
- Use a condensation drain if necessary.
- In the Commonwealth of Massachusetts a carbon monoxide detector is required for all side wall horizontally vented gas fuel equipment. Please refer to Technical Bulletin TB 010606 for full installation instructions.

Vertical Vent Termination



- Terminate at least 3' (0.9m) from the combustion air intake of any appliance and any other building opening.
- Enclose exterior vent systems below the roof line to limit condensation and protect against mechanical failure.
- When the vent penetrates a floor or ceiling and is not running in a fire rated shaft, a firestop and support is required.
- When the vent termination is located not less than 8' (2.4m) from a vertical wall or similar obstruction, terminate above the roof at least 2' (0.6m), but not more than 6' (1.87m), in accordance with the National Fuel Gas Code ANSI Z223.1/NFPA 54 or Natural Gas and Propane Installation Code CSA B149.1.
- Provide vertical support every 3' (0.9m) or as required by the vent pipe manufacturer's instructions.
- A short horizontal section is recommended to prevent debris from falling into the water heater.
- When using a horizontal section, slope the horizontal vent 1/4" upwards for every 12" (300mm) toward the termination to drain condensate.

Combustion Air

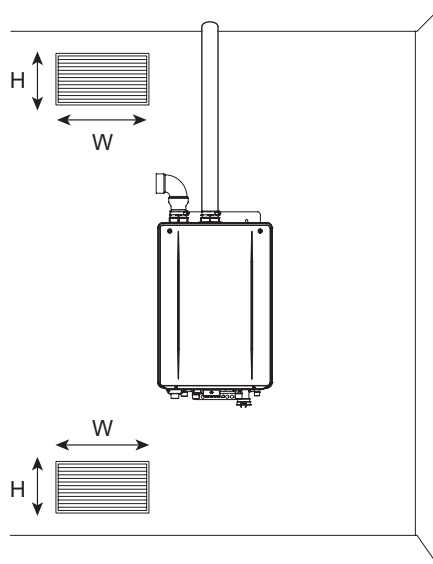
Supply combustion air to the units as per the National Fuel Gas Code, ANSI Z223.1-latest edition and in Canada, in accordance with the Natural Gas and Propane Installation Code CSA B149.1-latest edition.

Provide adequate combustion air so as to not create negative pressure within the building.

- Provide two permanent openings to allow circulation of combustion air.
- A minimum free area of each openings

Installation Unit	BTUH	Indoor make up air is provided	Outdoor make up air is provided	
			Direct or Vertical ducts	Horizontal ducts
EZ111DV (GQ-C3259WX-FF US)	199.9 kbtuh	200 in ² 20" (W) x 10" (H)	50 in ² 10" (W) x 5" (H)	100 in ² 20" (W) x 5" (H)
EZ98DV(GQ-C2859WX-FF US)	180 kbtuh	180 in ² 20" (W) x 9" (H)	45 in ² 10" (W) x 4 1/2" (H)	90 in ² 20" (W) x 4 1/2" (H)

- If the unit is installed in a mechanical closet, a minimum of permanent clearance of 4" or more in front of the unit is required. A 24" or more clearance is recommended in order to facilitate maintenance and repair.
- If combustion air will be provided through a duct, size the duct to provide as below.
 EZ111DV (GQ-C3259WX-FF US) : 70 cubic feet of fresh air per minute
 EZ98 (GQ-C2859WX-FF US) : 63 cubic feet of fresh air per minute
- If the unit is installed in a mobile home, outdoor air must be supplied. The usage of the "-SV" conversion kit is prohibited.



Openings supplying indoor air

Indoor Installation when using 2" flexible polypropylene

WARNING



Be sure to do

CARBON MONOXIDE POISONING

Follow all vent system requirements in accordance with relevant local or state regulation, or, in the absence of local or state code, in accordance with the National Fuel Gas Code ANSI Z223.1/NFPA 54 or Natural Gas and Propane Installation Code CSA B149.1.



Be sure to do

- During the installation of Flex Vent 2" Kit (EZ2FVK-1 and EZ2FVK-2), ambient temperatures must be greater than 40 °F (5 °C). Afterwards, installation site ambient temperature must be greater than -4 °F (-20 °C). Flex vent pipe breakage may occur if these temperature requirements are not observed.

Venting Installation Instructions (General Information)

Property damage, personal injury or death can result if these instructions are not followed. They are a guide for professional installers generally familiar with the installation and maintenance of heating equipment and related vent systems.

- Only listed manufacturer specified vent parts may be used for this equipment.

* Information regarding certified "Flexible vent pipe and connections".

① Flex Vent 2" Kit 25 feet(EZ2FVK-1) Dark gray

Standard(s)	ULC-S636-08 Standards for type BH Gas Venting Systems
Product	25Feet-Flex Pipe 2"-LE , Flex Vent 2" Rigid 45 Elbow Set - LE
Brand name	Living Engineering Co,Ltd.

② Flex Vent 2" Kit 35 feet(EZ2FVK-2) Light gray

Standard(s)	UL-1738 Standard for Safety for Venting Systems ULC-S636-08 Standards for type BH Gas Venting Systems
Product	PP Flexible 2", PP Single Wall Pipe 2"
Brand name	InnoFlue Flex - Centrotherm
Models	IFVL, IFSF, IANS, ISEL,

- Flex Vent 2" Kit may be used only in accordance with the installation manual included with the kit.
- Flex Vent 2" Kit can be installed at zero clearance to combustible materials.
- Appliances can be started up immediately after Flex Vent 2" Kit is installed and inspected.
- Flex Vent 2" Kit systems expand and contract slightly during heating cycles and must be installed following included instructions.
- Flex Vent 2" Kit cannot be painted.
- When installing N-Flex vent, pitch is required as detailed in Flex Vent 2" Kit installation manual.
- Do not intermingle any other venting material with allowable polypropylene venting mentioned.
- The BTUH input of the appliance will be reduced by up to 9% when maximum vent length.

WARNING

CARBON MONOXIDE POISONING

Failure to properly seal the vent system could cause flue products to enter the living space.

General Requirements

- Flex Vent 2" Conversion Kit (EZ2-CK) must be used when using 2" flexible polypropylene pipe for vent pipe installation. Refer to the instructions provided with Flex Vent 2" Conversion Kit for additional detail.
- Under normal conditions, this appliance will not produce an exhaust flue temperature in excess of 149°F. Refer to page 23 for additional requirements.
- Make sure the vent system is gas tight and will not leak.
- Do not common vent or connect more than one appliance to this venting system.
- The total vent length including vertical vent runs should be no less than 5' (1.5m).
- Do not store hazardous or flammable substances near the vent termination and check that the termination is not blocked in any way.
- Steam or condensed water may come out from the vent termination. Select the location for the termination so as to prevent injury or property damage.
- If snow is expected to accumulate, take care the end of the pipe is not covered with snow or hit by falling lumps of snow.

Maximum Vent Lengths



Be sure to do

- Maximum Vent Length varies according to Vent Kit model.
Check the Vent Kit model.

- This appliance has been designed to be vented with 2" flexible polypropylene pipe. Do not exceed the following maximum vent lengths:

	Vent Kit	Max. Straight Vent Length
①	Flex Vent 2" Kit 25 feet (EZ2FVK-1) Dark gray	25' (7.5m)
②	Flex Vent 2" Kit 35 feet (EZ2FVK-2) Light gray	35' (10.5m)

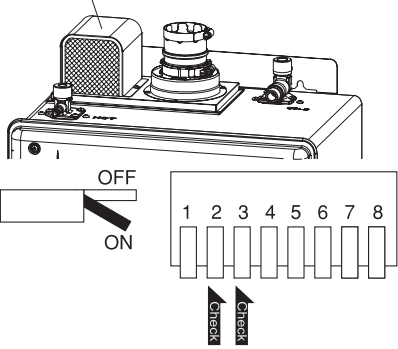
- * Max. number of 45 degree elbows : 2
 - Not including Rigid 45 Elbow Set included in this kit.
 - No 90° elbows
- * Max. Straight Vent Length numbers do not include termination.
- * Refer to Flex Vent 2" Kit installation manual for additional requirements.

Clearances

2" flexible polypropylene pipe has been approved for use on this appliance with zero clearance to combustibles.

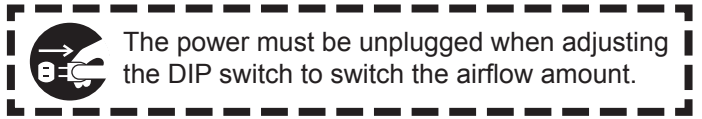
Installation of Flex Vent 2" Conversion Kit

Flex Vent 2" Conversion Kit (EZ2-CK)



Dip switches No.2 and 3 are turned on.

1. Secure the "Flex Vent 2" Conversion Kit" to top of the water heater*.
*Refer to the instructions provided with "Flex Vent 2" Conversion Kit" for additional detail.
(Note): Flex Vent 2" Conversion Kit must be installed in the proper direction as shown left.
2. Disconnect power and turn on dip switches No.2 and 3.
Refer to page 28 for the location of the dip switch bank.

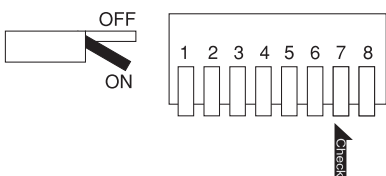


Maximum Vent Length Adjustment Dip switches when using 2" flexible polypropylene

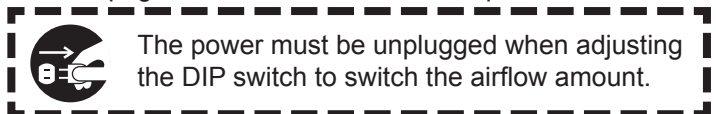
The unit can be adjusted to accommodate longer vent runs; refer to the below table to find the maximum vent length. Adjust the Dip switch according to the vent condition noted in the tables below.
Note: When adjusting the dip switches for longer vent runs, the BTUH input of the appliance will be reduced by up to 9%.

- Disconnect power to the water heater before changing the DIP switch. Failure to perform this step will result in a "73" code displayed on the remote controller and a cease in operation. If this occurs, disconnect, then reconnect power to the water heater to reset the system.

Color of flex pipe	Maximum Vent Length Configurations									
① Flex Vent 2" Kit 25 feet (EZ2FVK-1) Dark gray	[Maximum Vent Length Example] - Actual Vent Length = 13 ft. (3.9m) (with DIP switch set at "Short length" condition) - Actual Vent Length = 25 ft. (7.5m) (with DIP switch set at "Long length" condition) <table border="1" style="margin-top: 10px;"> <thead> <tr> <th></th> <th>DIP switch #7</th> <th>Vent Length</th> </tr> </thead> <tbody> <tr> <td>Short length</td> <td style="text-align: center;">○</td> <td>5' (1.5m) ~ 15' (4.5m)</td> </tr> <tr> <td>Long length</td> <td style="text-align: center;">●</td> <td>15' (4.5m) ~ 25' (7.5m)</td> </tr> </tbody> </table> <p style="text-align: right;">ON= ● OFF= ○</p>		DIP switch #7	Vent Length	Short length	○	5' (1.5m) ~ 15' (4.5m)	Long length	●	15' (4.5m) ~ 25' (7.5m)
	DIP switch #7	Vent Length								
Short length	○	5' (1.5m) ~ 15' (4.5m)								
Long length	●	15' (4.5m) ~ 25' (7.5m)								
② Flex Vent 2" Kit 35 feet (EZ2FVK-2) Light gray	[Maximum Vent Length Example] - Actual Vent Length = 18 ft. (5.4m) (with DIP switch set at "Short length" condition) - Actual Vent Length = 35 ft. (10.5m) (with DIP switch set at "Long length" condition) <table border="1" style="margin-top: 10px;"> <thead> <tr> <th></th> <th>DIP switch #7</th> <th>Vent Length</th> </tr> </thead> <tbody> <tr> <td>Short length</td> <td style="text-align: center;">○</td> <td>5' (1.5m) ~ 20' (6.0m)</td> </tr> <tr> <td>Long length</td> <td style="text-align: center;">●</td> <td>20' (6.0m) ~ 35' (10.5m)</td> </tr> </tbody> </table> <p style="text-align: right;">ON= ● OFF= ○</p>		DIP switch #7	Vent Length	Short length	○	5' (1.5m) ~ 20' (6.0m)	Long length	●	20' (6.0m) ~ 35' (10.5m)
	DIP switch #7	Vent Length								
Short length	○	5' (1.5m) ~ 20' (6.0m)								
Long length	●	20' (6.0m) ~ 35' (10.5m)								



Do not change any other dip switch.
Refer to page 28 for the location of the dip switchbank.

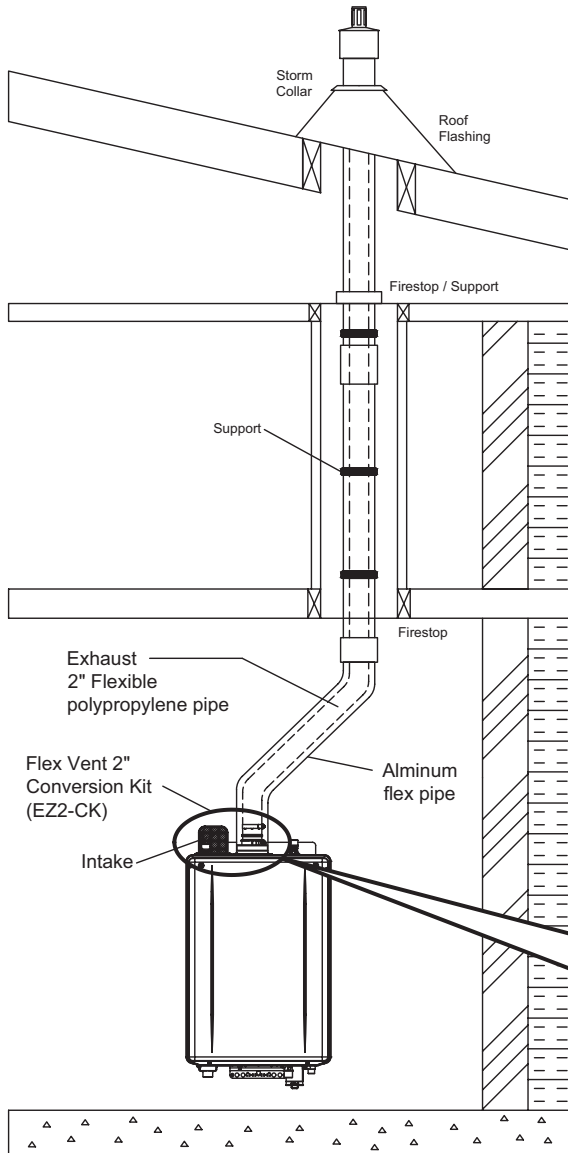




WARNING

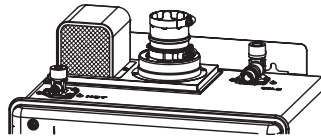
This unit is suitable only for vertical vent.

Vertical Vent Termination with Polypropylene N-Flex system



- Terminate at least 3' (0.9m) from the combustion air intake of any appliance and any other building opening.
- Enclose exterior vent systems below the roof line to limit condensation and protect against mechanical failure.
- When the vent penetrates a floor or ceiling and is not running in a fire rated shaft, a firestop and support is required.
- When the vent termination is located not less than 8' (2.4m) from a vertical wall or similar obstruction, terminate above the roof at least 2' (0.6m), but not more than 6' (1.87m), in accordance with the National Fuel Gas Code ANSI Z223.1/NFPA 54 or Natural Gas and Propane Installation Code CSA B149.1.
- The aluminum flex pipe serves as protection against damage.

< Flex Vent 2" Conversion Kit (EZ2-CK) >
Refer to the instructions provided with "Flex Vent 2"
Conversion Kit" for additional detail.



Combustion Air

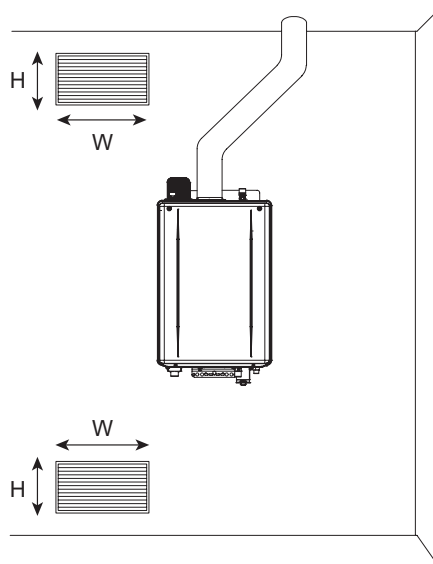
Supply combustion air to the units as per the National Fuel Gas Code, ANSI Z223.1-latest edition and in Canada, in accordance with the Natural Gas and Propane Installation Code CSA B149.1-latest edition.

Provide adequate combustion air so as to not create negative pressure within the building.

- Provide two permanent openings to allow circulation of combustion air.
- A minimum free area of each openings

Installation Unit	BTUH	Indoor make up air is provided	Outdoor make up air is provided	
			Direct or Vertical ducts	Horizontal ducts
EZ111DV (GQ-C3259WX-FF US)	199.9 kbtuh	200 in ² 20" (W) x 10" (H)	50 in ² 10" (W) x 5" (H)	100 in ² 20" (W) x 5" (H)
EZ98DV (GQ-C2859WX-FF US)	180 kbtuh	180 in ² 20" (W) x 9" (H)	45 in ² 10" (W) x 4 1/2" (H)	90 in ² 20" (W) x 4 1/2" (H)

- If the unit is installed in a mechanical closet, a minimum of permanent clearance of 4" or more in front of the unit is required. A 24" or more clearance is recommended in order to facilitate maintenance and repair.
- If combustion air will be provided through a duct, size the duct to provide as below.
 EZ111DV (GQ-C3259WX-FF US) : 70 cubic feet of fresh air per minute
 EZ98DV (GQ-C2859WX-FF US) : 63 cubic feet of fresh air per minute
- If the unit is installed in a mobile home, outdoor air must be supplied. The usage of the Flex Vent 2" Conversion Kit (EZ2-CK) is prohibited.

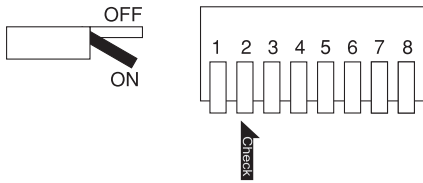


Openings supplying indoor air

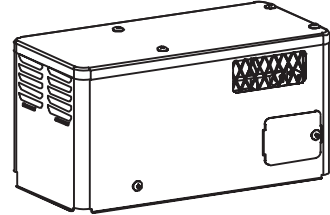
Outdoor Installation

- When installing this water heater outdoors, must be used "Outdoor Vent Cap (VC-6)".
- Disconnect power and then turn ON dip switch #2 if outdoor installation.
- Make sure the clearance of the water heater in accordance with page 9 (Outdoor Installation).

* Dip switch No.2 is turned on.



Outdoor Vent Cap (VC-6) for outdoor installation



Disconnect power to the water heater before changing the dip switches. Failure to perform this step will result in a "73" code displayed on the remote controller and a cease in operation. If this occurs, disconnect power to the water heater to reset the system.

Refer to the instructions provided with Outdoor Vent Cap for additional detail.



The power must be unplugged when adjusting the DIP switch to switch the airflow amount.

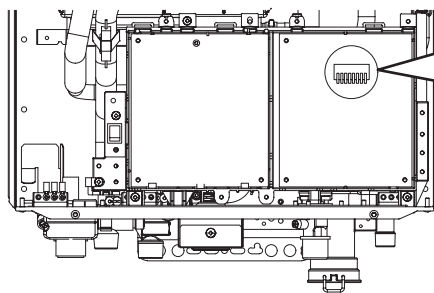
The location of Dip Switch Bank

• How to change the dip switches*

*The dip switch bank is placed on the circuit board.

1. Disconnect electrical power to the water heater before changing the dip switches**.
2. Open the front cover of the water heater (4 screws).
3. Adjust the dip switches. (See the illustration.)
4. Close the front cover of the water heater (4 screws).
5. Reconnect the electrical power to the water heater.

**Failure to perform this step will result a "73" code displayed on the remote controller and a cease in operation. If this occurs, disconnect, then reconnect electrical power to the water heater to reset the system.



9. Gas Piping

Follow the instructions from the gas supplier.

⚠ CAUTION

The guidelines and examples we have provided in this manual section are for reference only. The sizing and installation of the gas system for this water heater, as with any gas appliance, is the sole responsibility of the installer. The installer must be professionally trained to do such work and must always follow all local and national codes and regulations. Gas line sizing calculations must be performed for every installation. Please contact Noritz America at 866-766-7489 if you have any questions or concerns.

Gas Type

The gas type indicated on the water heater rating plate (NG or LP) must match the type of gas being supplied to the water heater.

Gas Conversions

If the gas type supplied does not match the gas type on the rating plate, contact your water heater supplier for a replacement unit with the proper gas type. If a gas type conversion must be made, there are conversion kits available for some models. [The conversion kit shall be installed by a qualified service agency in accordance with the manufacturer's instructions and all applicable codes and requirements of the authority having jurisdiction. The qualified service agency is responsible for the proper installation of this kit. Improper installation of this kit will void the warranty. Conversion kits will only be shipped directly to the Distributor or Agency performing the conversion.]

Meter

The gas meter must be sized properly for the water heater and other gas appliances to operate properly. Select a gas meter capable of supplying the entire btuh demand of all gas appliances in the building.

⚠ CAUTION

Regulators

Ensure that all gas regulators used are operating properly and providing gas pressures within the specified range of the water heater being installed. Excess gas inlet pressure may cause serious accidents.

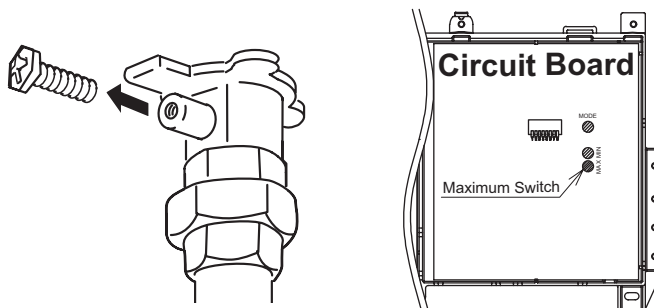
⚠ WARNING

Pressure

Check the gas supply pressure immediately upstream at a location provided by the gas company. Supplied gas pressure must be within the limits shown in the specifications section with all gas appliances operating. The inlet gas pressure must be within the range specified. This is for the purposes of input adjustment. Low gas pressure may cause a loss of flame or ignition failure at other appliances in the home, which may result in unburned gas in the home. Serious accidents such as fire or explosion may result.

Measuring Gas Pressure

In order to check the gas supply pressure to the unit, a tap is provided on the gas inlet. Remove the **9/32" hex head/Philips screw** from the tap, and connect a manometer using a silicon tube. Open up at least 2 fixtures and hold in the "Maximum Switch" on the circuit board. Please call Noritz for details.



WARNING

Pressure Test

The appliance and its gas connections must be leak tested before placing the appliance in operation. The appliance must be isolated from the gas supply piping system by closing its individual manual shutoff valve during any pressure testing of the gas supply piping system at test pressures equal to or less than ½ psig (3.5 kPa). We do not recommend pressure testing in excess of ½ psig (3.5kPa). If it must be done, the appliance and its individual shutoff valve must be completely disconnected from the gas supply piping system during the test process.

Pipe Sizing/Flexible Connectors

A gas shutoff valve must be installed on the supply line. Gas flex lines are not recommended unless the minimum inside diameter is ¾" or greater and the rated capacity of the connector is equal to or greater than the BTU capacity of the water heater. Gas piping shall be in accordance with local utility company requirements and/or in the absence of local codes, use the latest edition of National Fuel Gas Code (NFPA54GC), ANSI Z223.1. In Canada, use the latest edition of CSA B149.1, National Gas and Propane installation code. Size the gas line according to total btuh demand of the building and length from the meter or regulator so that the following supply pressures are available even at maximum demand.

Natural Gas Supply Pressure
Min 3.5" WC
Max 10.5" WC

LP Gas Supply Pressure
Min 8" WC
Max 14" WC

Reference Tools & Sample Calculations

CAUTION

The tables and samples below are for reference only. The professional sizing and installing the gas line should always run the appropriate calculations before all installations.

Which Table to Use

- For NG installations with the initial supply pressure at point of delivery (at the meter, for example) is less than 8" WC, use the 0.5" WC pressure drop table (Table 1).
- For NG installations with the initial supply pressure at point of delivery is greater than or equal to 8" WC, use the 3.0" pressure drop table (Table 2).
- For all LP installation use (Table 3)

The inlet pressure must be at least 5" WC for NG or 8" WC for LP for all appliances in the gas system. If the inlet gas pressure drops below 5" WC for NG or 8" WC for LP, the heater may continue to operate, but the other appliances in the house may experience flame loss or ignition failure, which can result in gas leakage into the home. Refer to the NFPA 54 for details.

Please contact Noritz for details. For corrugated stainless steel tubing (CSST) capacity tables, please consult with the manufacturer.

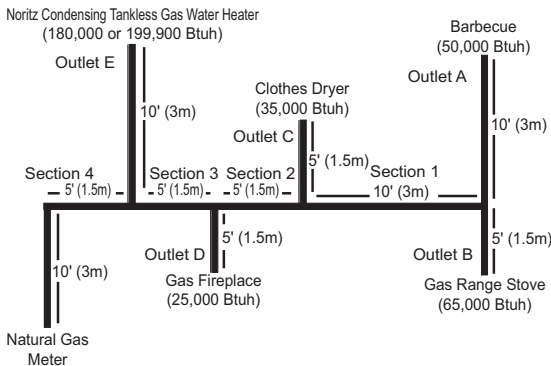
Table 1. For Less than 8" WC initial supply pressure

Maximum Natural Gas Delivery Capacity (0.5" Pressure Drop) [Schedule 40 Metallic Pipe]

Pipe Size	Length (including fittings)										
	10' (3m)	20' (6m)	30' (9m)	40' (12m)	50' (15m)	60' (18m)	70' (21m)	80' (24m)	90' (27m)	100' (30m)	125' (38m)
3/4"	360	247	199	170	151	137	126	117	110	104	92
1"	678	466	374	320	284	257	237	220	207	195	173
1 1/4"	1,390	957	768	657	583	528	486	452	424	400	355
1 1/2"	2,090	1,430	1,150	985	873	791	728	677	635	600	532
2"	4,020	2,760	2,220	1,900	1,680	1,520	1,400	1,300	1,220	1,160	1,020
2 1/2"	6,400	4,400	3,530	3,020	2,680	2,430	2,230	2,080	1,950	1,840	1,630
3"	11,300	7,780	6,250	5,350	4,740	4,290	3,950	3,670	3,450	3,260	2,890
4"	23,100	15,900	12,700	10,900	9,660	8,760	8,050	7,490	7,030	6,640	5,890

Values in Table are in Cubic Feet of Gas per Hour (0.60 Specific Gravity, 0.5" Pressure Drop, inlet pressure less than 2psi). Contact your gas supplier for BTU/Cubic Foot ratings. For simplification of your calculations, 1 Cubic Foot of Gas is approximately equivalent to 1000 BTU.

Sample Gas Line



Instructions

1. Size each outlet branch starting from the furthest using the Btuh required and the length from the meter.
2. Size each section of the main line using the length to the furthest outlet and the Btuh required by everything after that section.

Sample Calculation - (Using 0.5" WC Pressure Drop Table)

- Outlet A: 45' (13.5m) (Use 50' (15m)), 50,000 Btuh requires 1/2"
- Outlet B: 40' (12m), 65,000 Btuh requires 1/2"
- Section 1: 45' (13.5m) (Use 50' (15m)), 115,000 Btuh requires 3/4"
- Outlet C: 30' (9m), 35,000 Btuh requires 1/2"
- Section 2: 45' (13.5m) (Use 50' (15m)), 150,000 Btuh requires 3/4"
- Outlet D: 25' (7.5m) (Use 30' (9m)), 25,000 Btuh requires 1/2"
- Section 3: 45' (13.5m) (Use 50' (15m)), 175,000 Btuh requires 1"
- Outlet E: 25' (7.5m) (Use 30' (9m)), 180,000 or 199,900 Btuh requires 3/4"
- Section 4: 45' (13.5m) (Use 50' (15m)), 355,000 Btuh requires 1 1/4"

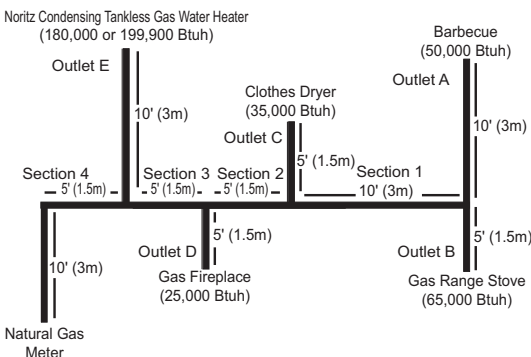
Table 2. For 8" WC – 10.5" WC initial supply pressure

Maximum Natural Gas Delivery Capacity (3.0" Pressure Drop) [Schedule 40 Metallic Pipe]

Pipe Size	Length (including fittings)										
	10' (3m)	20' (6m)	30' (9m)	40' (12m)	50' (15m)	60' (18m)	70' (21m)	80' (24m)	90' (27m)	100' (30m)	125' (38m)
1/2"	454	312	250	214	190	172	158	147	138	131	116
3/4"	949	652	524	448	397	360	331	308	289	273	242
1"	1,787	1,228	986	844	748	678	624	580	544	514	456
1 1/4"	3,669	2,522	2,025	1,733	1,536	1,392	1,280	1,191	1,118	1,056	936
1 1/2"	5,497	3,778	3,034	2,597	2,302	2,085	1,919	1,785	1,675	1,582	1,402
2"	10,588	7,277	5,844	5,001	4,433	4,016	3,695	3,437	3,225	3,046	2,700
2 1/2"	16,875	11,598	9,314	7,971	7,065	6,401	5,889	5,479	5,140	4,856	4,303
3"	29,832	20,503	16,465	14,092	12,489	11,316	10,411	9,685	9,087	8,584	7,608
4"	43678	30,020	24,107	20,632	18,286	16,569	15,243	14,181	13,305	12,568	11,139

Values in Table are in Cubic Feet of Gas per Hour (0.60 Specific Gravity, 3.0" Pressure Drop, 8.0" WC or greater supply pressure, inlet pressure less than 2psi). Contact your gas supplier for BTU/Cubic Foot ratings. For simplification of your calculations, 1 Cubic Foot of Gas is approximately equivalent to 1000 BTU.

Sample Gas Line



Instructions

1. Size each outlet branch starting from the furthest using the Btuh required and the length from the meter.
2. Size each section of the main line using the length to the furthest outlet and the Btuh required by everything after that section.

Sample Calculation (Using 3.0" WC Pressure Drop Table)

- Outlet A: 45' (13.5m) (Use 50' (15m)), 50,000 Btuh requires 1/2"
- Outlet B: 40' (12m), 65,000 Btuh requires 1/2"
- Section 1: 45' (13.5m) (Use 50' (15m)), 115,000 Btuh requires 1/2"
- Outlet C: 30' (9m), 35,000 Btuh requires 1/2"
- Section 2: 45' (13.5m) (Use 50' (15m)), 150,000 Btuh requires 1/2"
- Outlet D: 25' (7.5m) (Use 30' (9m)), 25,000 Btuh requires 1/2"
- Section 3: 45' (13.5m) (Use 50' (15m)), 175,000 Btuh requires 1/2"
- Outlet E: 25' (7.5m) (Use 30' (9m)), 180,000 or 199,900 Btuh requires 1/2"
- Section 4: 45' (13.5m) (Use 50' (15m)), 355,000 Btuh requires 3/4"

Table 3. Maximum Undiluted Propane (LP) Delivery Capacity in Thousands of BtuH (0.5" WC Pressure Drop) [Schedule 40 Metallic Pipe]

Pipe Size	Length (including fittings)											
	10' (3m)	20' (6m)	30' (9m)	40' (12m)	50' (15m)	60' (18m)	80' (24m)	100' (30m)	125' (38m)	150' (45m)	175' (53m)	200' (60m)
1/2"	291	200	160	137	122	110	101	94	89	84	74	67
3/4"	608	418	336	287	255	231	212	197	185	175	155	140
1"	1,150	787	632	541	480	434	400	372	349	330	292	265
1 1/4"	2,350	1,620	1,300	1,110	985	892	821	763	716	677	600	543
1 1/2"	3,520	2,420	1,940	1,660	1,480	1,340	1,230	1,140	1,070	1,010	899	814
2"	6,790	4,660	3,750	3,210	2,840	2,570	2,370	2,200	2,070	1,950	1,730	1,570

For reference only. Please consult gas pipe manufacturer for actual pipe capacities.



Final Check

When the installation is complete, verify that inlet gas pressure for the entire gas system does not drop below 5" WC for NG or 8" WC for LP at all appliances. This can be tested by turning on all gas burning appliances including the water heater, then check the inlet pressure at each appliance to verify all appliances are receiving a minimum of 5" WC for NG or 8" WC for LP. If all appliances are not receiving the minimum inlet pressure the gas piping system may need to be changed.

10. Water Piping

Installation and service must be performed by a qualified plumber. In the Commonwealth of Massachusetts, this product must be installed by a licensed plumber or gas fitter in accordance with the Massachusetts Plumbing and Fuel Gas Code 248 CMR Sections 2.00 and 5.00. Observe all applicable codes.

This appliance is suitable for combination potable water and space heating applications. It cannot be used for space heating applications only. Do not use this appliance if any part has been underwater. Immediately call a qualified service technician to inspect the appliance and replace any part of the control system and gas control which has been under water.

If the water heater is installed in a closed water supply system, such as one having a backflow preventer in the cold water supply line, means shall be provided to control thermal expansion. Contact the water supplier or a local plumbing inspector on how to control this situation.

A pressure relief valve must be installed near the hot water outlet that is rated in accordance with and complying with either The Standard for Relief Valves and Automatic Shutoff Devices for Hot Water Supply Systems, ANSI Z21.22, or The ANSI/ASME Boiler and Pressure Vessel Code, Section IV (Heating Boilers). This pressure relief valve must be capable of an hourly Btu rated temperature steam discharge of 199,900 Btuh. Multiple valves may be used. The pressure relief capacity must not exceed 150 psig. No valve shall be placed between the relief valve and the water heater. The relief valve must be installed such that the discharge will be conducted to a suitable place for disposal when relief occurs. No reducing coupling or other restriction may be installed in the discharge line. The discharge line must be installed to allow complete drainage of both the valve and the line. If this unit is installed with a separate storage vessel, the separate vessel must have its own temperature and pressure relief valve. This valve must also comply with The Standard for Relief Valves and Automatic Gas Shutoff Devices for Hot Water Supply Systems, ANSI Z21.22. (in the U.S. only). A temperature relief valve is not required, but if one is used, do not install the valve with the probe directly in the flow of water. This may cause unwarranted discharge of the valve.

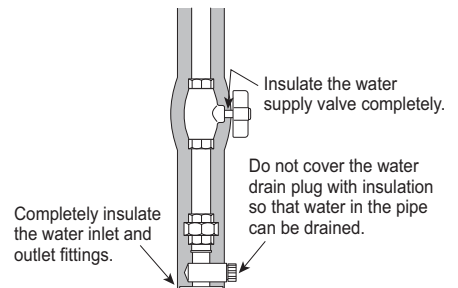
Piping and components connected to the water heater shall be suitable for use with potable water.

Toxic chemicals, such as those used for boiler treatment, shall not be introduced into the potable water.

A water heater used to supply potable water may not be connected to any heating system or components previously used with a nonpotable water heating appliance.

When water is required in one part of the system at a higher temperature than in the rest of the system, means such as a mixing valve shall be installed to temper the water to reduce the scald hazard.

- Flush water through the pipe to clean out metal powder, sand and dirt before connecting it.
- Perform the following insulation measures for prevention of freezing.
 - Take appropriate heat insulation measures (e.g., wrapping with heat insulation materials, using electric heaters) according to the climate of the region to prevent the pipe from freezing.
 - Make sure that there are no water leaks from the cold and hot water supply pipes, then insulate the pipes completely.
 - Be sure to also completely insulate the water supply valve and the cold and hot water connections on the water heater (refer to the figure on the right).
 - Do not cover the water drain plug with insulation so that water in the pipe can be drained. (Refer to the figure in the right.)
- Use a union coupling or flexible pipe for connecting the pipes to reduce the force applied to the piping.
- Do not use piping with a diameter smaller than the coupling.
- When feed water pressure is too high, insert a depressurizing valve, or take water hammer prevention measure.
- Avoid using joints as much as possible to keep the piping simple.
- Avoid piping in which an air holdup can occur.
- If installing the unit on a roof:
- About lower-level hot water supply, water heater is installed at high altitudes



If the unit is installed on a roof to supply water to the levels below, make sure that the water pressure supplied to the unit does not drop below 29 psi. It may be necessary to install a pump system to ensure that the water pressure is maintained at this level or to decrease the flow rate by adjusting the water fixture.

Check the pressure before putting the unit into operation.

Failure to supply the proper pressure to the unit may result in noisy operation, shorter lifetime of the unit, and may cause the unit to shut down frequently.

Supply water piping

- Do not use PVC, iron, or any piping which has been treated with chromates, boiler seal or other chemicals.
 - Mount a check valve and a shut off valve (near the inlet).
 - In order for the client to use the water heater comfortably, 15 to 150 PSI* (103.4 to 1034 kPa) of pressure is needed from the water supply. Be sure to check the water pressure. If the water pressure is low, the water heater cannot perform to its full capability, and may become a source of trouble for the client.
- * Recommended 30 psi or more for maximum performance.

Hot water piping

- Do not use lead, PVC, iron or any piping which has been treated with chromates, boiler seal or other chemicals.
- The longer the piping, the greater the heat loss. Try to make the piping as short as possible.
- Use mixing valves with low water resistance. Use shower heads with low pressure loss.
- If necessary, use a pump or other means to ensure that the supply water pressure to the inlet of the heater does not fall below 29 PSI when the maximum amount of water is being demanded. Also install a pressure meter on the inlet. If this is not done, local boiling will occur inside the water heater causing abnormal sounds and decreasing the durability of the heat exchanger.
- Noritz recommends the installation of a wye pattern strainer downstream on the hot water supply to prevent loose scale from accumulating and clogging fixtures.

Freeze Prevention

<Indoor Installation>

- Freezing is prevented within the device automatically unless the outside temperature without wind is below -30°F (-35°C).
- * When combustion air is supplied from the indoors, the room temperature must be greater than 32°F (0°C) to prevent freezing and the room inside must not have negative pressure.
- If this model is installed in an area where the outside temperature can approach freezing conditions of -30°F (-35°C) or below, then additional freeze protection measures must be used. For temporary freeze protection measures, refer to the Owner's Guide.

<Outdoor Installation>

- Freezing is prevented within the device automatically unless the outside temperature without wind is below -4°F (-20°C).
- If this model is installed in an area where the outside temperature can approach freezing conditions of -4°F (-20°C) or below, then additional freeze protection measures must be used.

<Both Indoor and Outdoor Installation>

- The freeze prevention heaters will not prevent the plumbing external to the unit from freezing. Protect this plumbing with insulation, heat tape or electric heaters, solenoids, or pipe covers.
- In order for the freeze prevention heaters to operate, the water heater must have power at all times.

Damage to the water heater as a result of the below is not covered by the Noritz America Limited Warranty.

- Water in excess of 12 gpg (200mg/L) of hardness
- Poor water quality (see table to the right)

Total Hardness*	: 200 mg/L (12 gpg) or less
Aluminum	: 0.05 to 0.2 mg/L or less
Chloride	: 250 mg/L or less
Copper	: 1 mg/L or less
Iron	: 0.3 mg/L or less
Manganese	: 0.05 mg/L or less
pH	: 6.5 - 8.5
Total Dissolved Solids	: 500 mg/L or less
Zinc	: 5 mg/L or less
Sulfate ion	: 250 mg/L or less
Residual chlorine	: 4 mg/L or less

* Maximum limit suggested by Noritz.

Water Treatment

If this water heater will be installed in an application where the supply water is hard, the water must be treated with either the Noritz ScaleShield or a water softener. Refer to the below tables for suggested treatment and maintenance measures to be taken based on the water hardness level. If this water heater will be installed in an application where the supply water is hard, Scale Build-up may cause damage to the Heat Exchanger. To prevent damage to the Heat Exchanger, the Heat Exchanger regularly needs to be flushed. Refer to the "Procedure for flushing the Heat Exchanger" on page 37 or contact Noritz America for more information. (<http://support.noritz.com/> or 866-766-7489)

This water heater is equipped with an automatic service reminder to announce for flushing the Heat Exchanger. The factory default of this service reminder is OFF. The customer or installer needs to set the service reminder to ON or OFF. Refer to the "How to select the Service Reminder" on page 36. If the service reminder is selected to ON, the code "C1#" will displayed on the remote controller after the set time period has been reached. When the code is displayed, the Heat Exchanger needs to be flushed to prevent damage from Scale Build-up.

* # = 1, 2, 3, 4 ... 9

Damage to the water heater as a result of the items below is not covered by the Noritz America Limited Warranty.

- Water in excess of 12 gpg (200mg/L) of hardness
- Poor water quality (See the Water Quality List on page 34.)
- The water heater has displayed a "C1#" (Service Reminder) indicating Scale Build-up, but the heat exchanger has not been flushed.

Note: Water softeners may be regulated by the local water jurisdiction, consult with the manufacturer for code, sizing, and installation guidelines; the below diagram is for reference only. For more information about ScaleShield, contact Noritz America at <http://support.noritz.com/> or 866-766-7489.

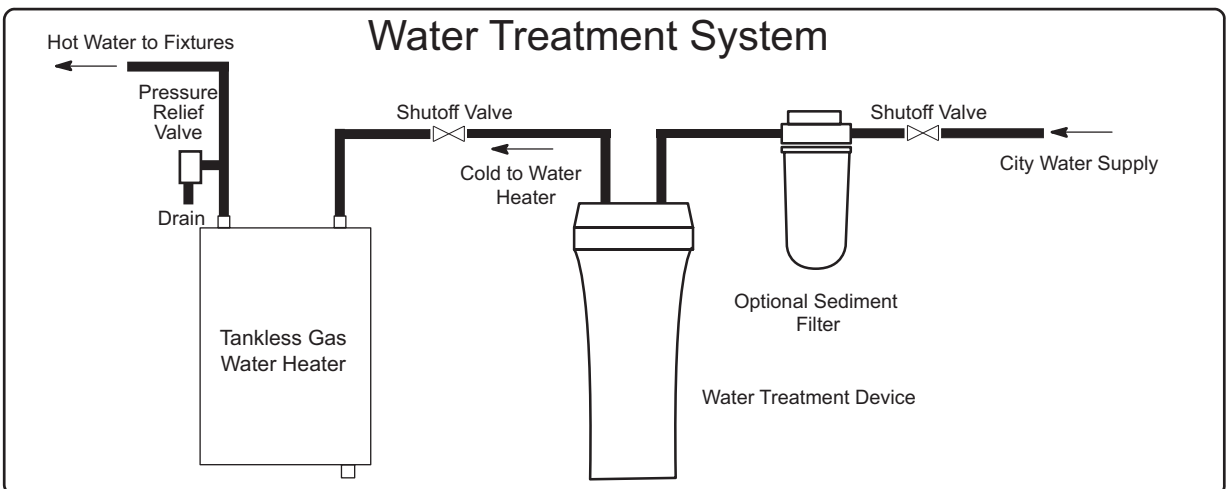
Treatment Guidelines

Type of Water	Hardness Level	Treatment Device*	Flush Frequency**
			Residential Use
Soft	0-1 gpg (0-17 mg/L)	None	None
Slightly Hard	1-3 gpg (17-51 mg/L)	None	None
Moderately Hard	3-7 gpg (51-120 mg/L)	ScaleShield or Water Softener	Once a Year***
Hard	7-10 gpg (120-171 mg/L)	ScaleShield or Water Softener	Once a Year***
Very Hard	10-12 gpg (171-200 mg/L)	ScaleShield or Water Softener	Once a Year***
Extremely Hard	> 12 gpg (> 200 mg/L)	ScaleShield or Water Softener	Once a Year***

* When selecting a treatment device, you must consult with the device's spec sheet and installation manual for guidelines and limitations. Not all water supplies are compatible - a water test may be required.

** Install Noritz Isolation Valves to allow for flushing.

*** Flushing is required if a water treatment device is not installed.



▲ The illustration is an example. Please check with the actual water heater about the position of piping, and form.

How to select the Service Reminder

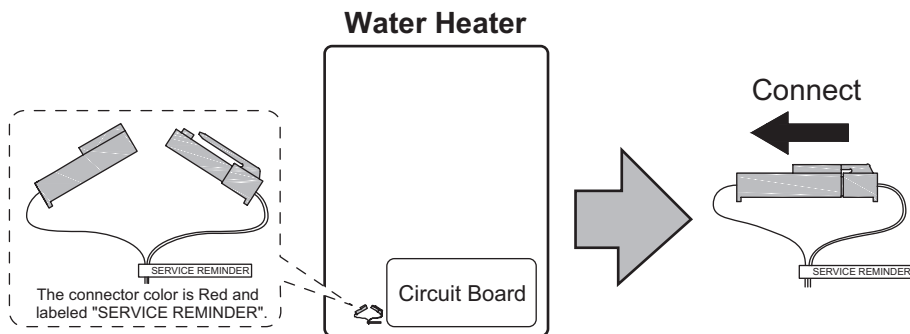
This water heater is equipped with an automatic service reminder to announce for flushing the Heat Exchanger. The factory default of this service reminder is OFF. The customer or installer needs to set the service reminder to ON or OFF.

If the service reminder is selected to ON, the code "C1#*" will displayed on the remote controller after the set time period has been reached. When the code is displayed, the Heat Exchanger needs to be flushed to prevent damage from Scale Build-up.

* Nortiz recommends to flush the Heat Exchanger when the code "C1#" appears.
= 1, 2, 3, 4 ... 9

< Procedure when turning the service reminder ON >

1. Open the Front Cover.
There is the red connector marked "SERVICE REMINDER" near the Circuit Board.
Factory default of the connector is disconnected.
2. Connect the red connector marked "SERVICE REMINDER".
The service reminder is operating when connecting red connector marked "SERVICE REMINDER".
3. Close the Front Cover.



When the code "C1#" appears:

There are two way to reset the code "C1#" as follow.

1. Disconnect the red connector marked "SERVICE REMINDER"
The service reminder is turned OFF, and then the code "C1#" disappears.
2. Flush the Heater Exchanger.
After finish flushing, the code will be reset.
Refer to the "Procedure for flushing the Heat Exchanger" on page 37.

Procedure for Flushing the Heat Exchanger

This procedure is only intended for use by a qualified service professional or authorized Noritz Service Representative. Any unauthorized use of this procedure may result in voiding the warranty. Please contact Noritz America (866-766-7489) for additional support.

If the alarm code "C1#*" is flashing on the Remote Controller, it means there is Scale Build-up in the Heat Exchanger. To prevent damage to the Heat Exchanger from Scale Build-up, the Heat Exchanger needs to be flushed** to remove the Scale Build-up.

Damage to the water heater due to Scale Build-up is not covered by the water heater's warranty.

To clear the alarm code "C1#*", the Heat Exchanger must be flushed.

If the alarm code "C*#" is displayed and flashing on the Remote Controller, please contact Noritz America (866-766-7489).

* Warning indication, # = 1~9

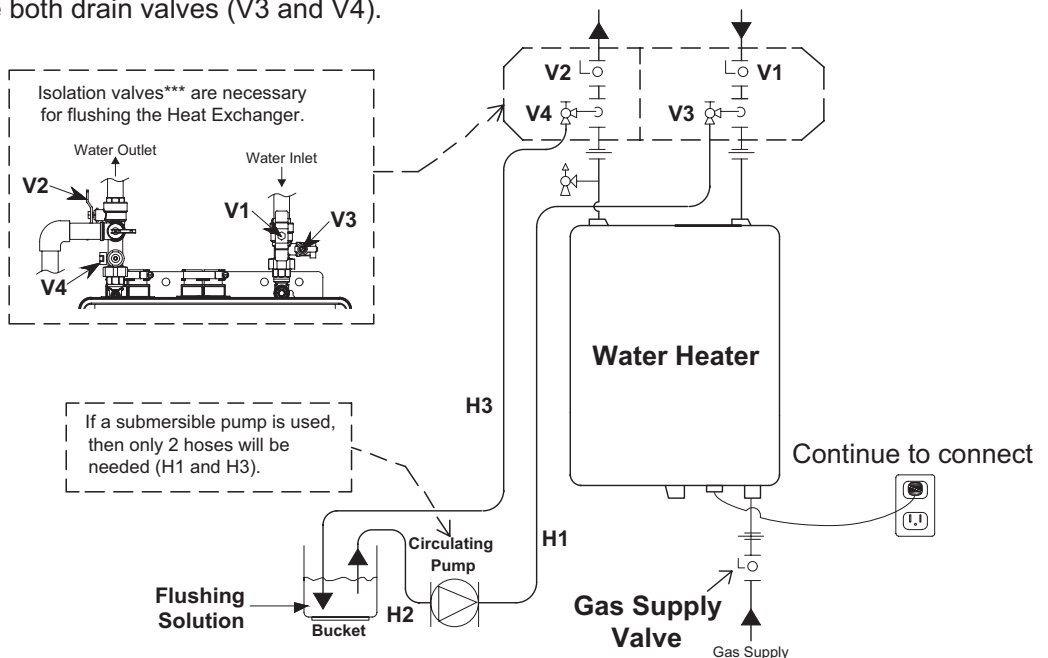
** Connect the blue connector marked "FLUSH" for flushing near the Circuit when flushing the Heat Exchanger. After connecting it, the water heater is set to "Flushing Mode".

The water heater must remain connected to electrical power when flushing the Heat Exchanger.

Basic Procedure

«Procedure 1. The preparation of the flushing system»

1. Close the gas supply valve.
2. Close the water inlet valve (V1) and the water outlet valve (V2).
3. Connect the one drain hose (H1) to the drain valve (V3), and then the other to the circulating pump.
4. Connect the drain hose (H2) to the circulating pump.
5. Connect the drain hose (H3) to the drain valve (V4).
6. Pour 1 gallon of "Calcium, Lime and Rust Removal Product" and 1 gallon water into the bucket. Noritz recommends "Calcium, Lime and Rust Removal Product" for flushing.
7. Place the both drain hoses (H2 and H3) into the bucket filled with the flushing solution.
8. Open the both drain valves (V3 and V4).

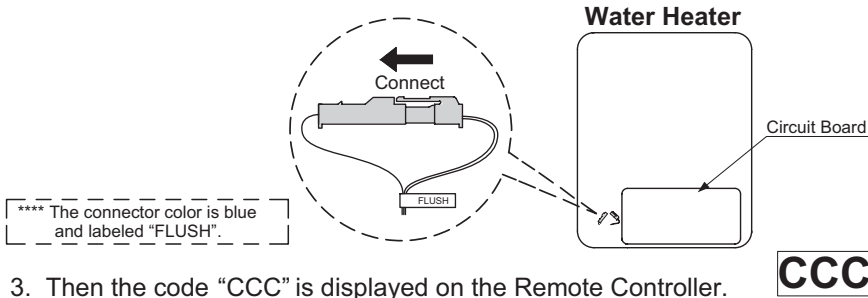


*** Isolation valves may be purchased as an accessory from an authorized Noritz wholesaler.

They allow for full diagnostic testing and easy flushing of the system. Contact Noritz America for more information.(866-766-7489)

《Procedure 2. Flushing the Heat Exchanger – For Single Unit》

1. Open the Front Cover.
2. Connect the blue connector**** marked "FLUSH" for flushing near the Circuit Board.



3. Then the code "CCC" is displayed on the Remote Controller. **CCC**
4. Turn on the circulating pump to circulate the flushing solution through the water heater for 1 hour at a rate of 1.5 gallons per minute or more.
5. The code "C60" is displayed on the Remote Controller when the water heater detects the flow of the flushing solution.

When 1 minute passes, the code "C60" will change to "C59" on the Remote Controller.



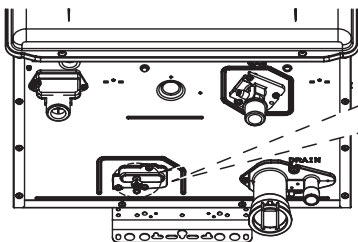
Please check whether the reverse connection of the hose (H1) and (H3) if the display number will not change. In that case, the flow rate of the flushing solution may be under 1.5 gallons per minute.

6. When 1 hour passes, the code "C00" is flashing on the Remote Controller. **C00** Flashing
7. Turn off the circulating pump.

《Procedure 3. Cleaning the Heat Exchanger》

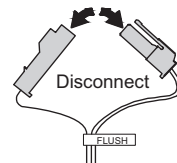
The flushing solution needs to be rinsed and cleaned out of the water heater. Below is the way to rinse and clean the flushing solution.

1. Remove both drain hoses (H2 and H3) from the bucket. And then place the drain hose (H3) into the sink or outside to drain.
2. Close the drain valve (V3) and then open the water inlet valve (V1). Do not open the fresh water outlet valve (V2).
3. Clean the water heater with fresh water for 3 minutes or more. (Needs to have enough time to clean the water heater.)



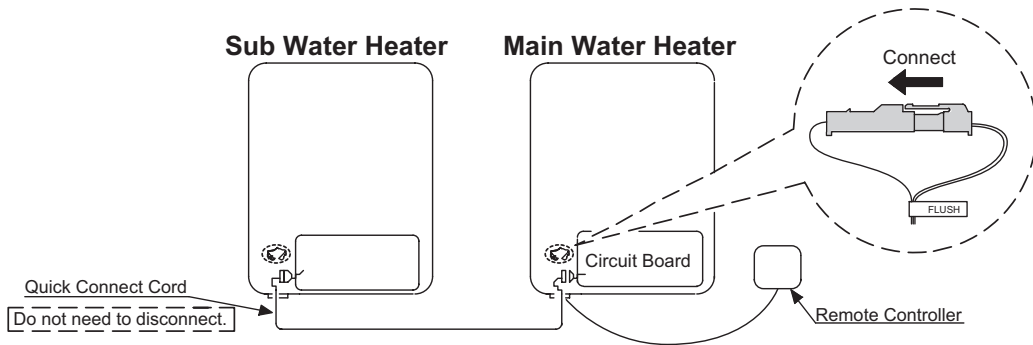
NOTE : If EZ98DV(GQ-C2859WX-FF US) or EZ111DV(GQ-C3259WX-FF US) is installed, the unit has the "Water Drain Valve" from the bottom of the water heater. Place a bucket under the water heater to drain water from the "Water Drain Valve". Carefully unscrew the "Water Drain Valve" to rinse flushing solution out of the water heater for about 10 seconds. Then close the "Water Drain Valve".

4. Close the drain valve (V4) and then remove the drain hose (H3) from the drain valve (V4).
5. Remove the drain hose (H1) from the drain valve (V3).
6. Disconnect the blue connector marked "FLUSH" for flushing. The code "C00" goes out on the Remote Controller.
7. Close the Front Cover.
8. Open the gas supply valve and water outlet valve (V2).
9. Check for correct operation of the water heater.



In case of the “Quick Connect Multi System Procedure”

1. Connect the blue connector marked "FLUSH" for unit needing to be flushed.
(The water heater is isolated from Quick Connect Multi system when the blue connector marked "FLUSH" for flushing is connected. Do not need to disconnect the Quick Connect Cord.)



2. Then the code “CCC” or “FCC” is displayed on the Remote Controller.

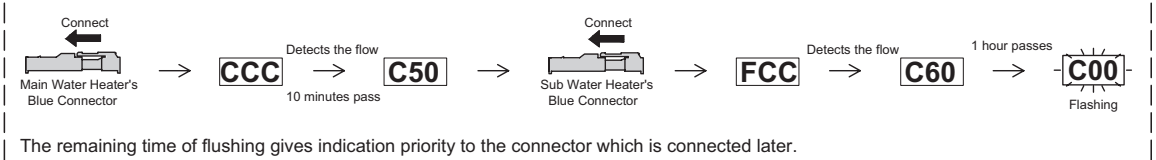
CCC is displayed when the Main Water Heater's blue connector is connected.

FCC is displayed when the Sub Water Heater's blue connector is connected.

3. Turn on the circulating pump to circulate the flushing solution through the water heaters for 1 hour at a rate of 1.5 gallons per minute or more.
4. When 1 hour passes, the code “C00” is flashing on the Remote Controller.
Do not disconnect the blue connector marked "FLUSH" for flushing.



(Ex. : The display when the both water heaters are flushed at the same time.)



5. Turn off the circulation pump.
6. Rinse and clean the flushing solution out of the water heaters in accordance with “Procedure 3”.
(See the “Procedure 3.1-3.5”.)



NOTE : Place a bucket under the water heater to drain water from the “Water Drain Valve”. Carefully unscrew the “Water Drain Valve” to rinse flushing solution out of the water heater for about 10 seconds. Then close the “Water Drain Valve”.

7. Disconnect the blue connector marked "FLUSH" for flushing.
The Code “C00” goes out on the Remote Controller.
8. Close the Front Covers.
9. Open the gas supply valves and water outlet valves.
10. Check for correct operation of the water heaters.

Please contact Noritz America if more information is needed for flushing.
(Phone # : 866-766-7489)

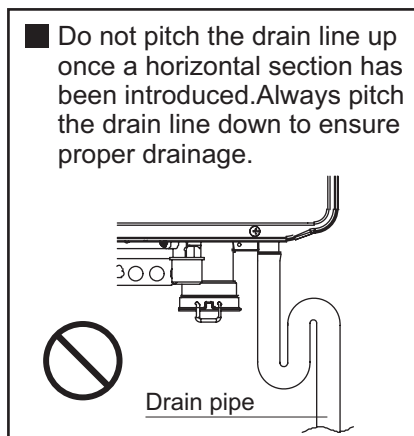
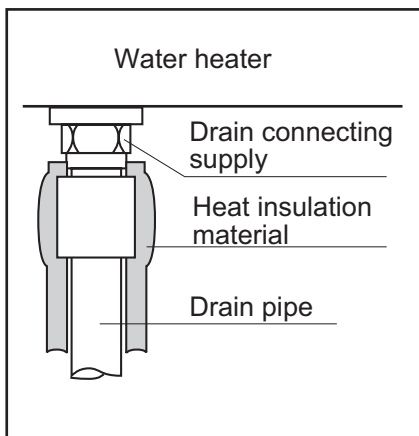
11. Condensate Piping



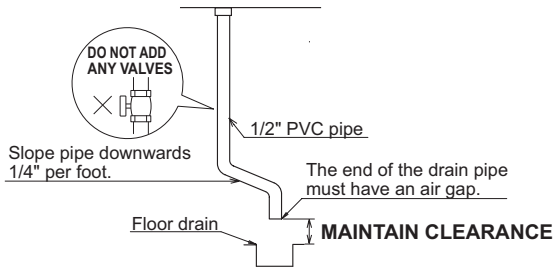
CAUTION

Due to the acidic nature of the condensate, be sure to properly drain and if necessary, treat the condensate prior to disposal. Damage caused by improperly handled condensate is not covered by the warranty.

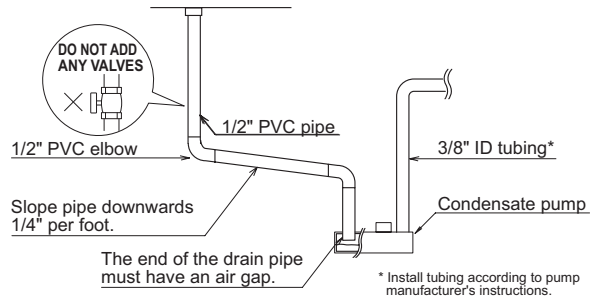
- This water heater is a high efficiency, fully condensing appliance which produces acidic condensate during operation. The water heater incorporates a collection and removal system which must be properly drained in order to ensure proper operation of this appliance.
- The pH level of the condensate is approximately 2-3. An external neutralizer must be installed on the drain piping prior to disposal when required by local code or when the condensate could cause damage.
- If an external neutralizer is installed, periodic replacement of the neutralizing agent will be required. Refer to the instructions supplied with the neutralizer for suggested replacement intervals.
- In order to drain the condensate, a 1/2" threaded fitting is provided at the base of the water heater. Do not reduce the size of this fitting or the drain piping to less than 1/2". In cold climates, do not drain the condensate to the outdoors. If the drain pipe freezes during cold weather, the pipe will not drain condensate and the unit will stop operating.
- Use plastic pipe, such as PVC, for the drain line. Do not use steel, black iron, or any other material which can corrode when placed into contact with acidic condensate.
- Keep the length of the drain pipe as short as possible. Long runs or applications where the nearest drain is above the water heater will require the use of a condensate pump. Size the pump to allow for a maximum condensate discharge of 2 GPH from the water heater.
- Horizontal runs must be sloped 1/4" per foot towards the drain or condensate pump. The condensate will be discharged by gravity force only. Make the drain pipe run as short as possible.
- The end of the drain pipe must not be submerged in water or blocked in any way. To ensure proper drainage, leave the end of the drain pipe open to the atmosphere. Do not have a trap. Also, make sure that there are no obstructions blocking the drain line from discharging condensate.
- Be sure to check that condensate is freely flowing from the drain piping after the system has been installed. Condensate will begin flowing out of the water heater within 15 minutes after operation has started.
- Take measures to prevent the condensate drain lines from freezing (insulation, heat tape, electric heaters, etc.).



Condensate piping to floor drain



Condensate piping with pump

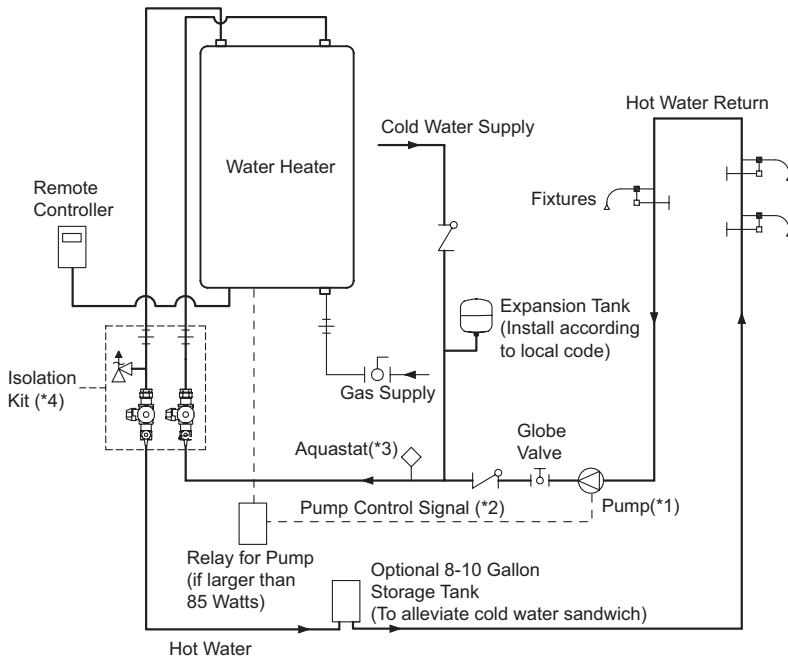


Note:

If the drain line becomes clogged or frozen, condensate will back-up into the water heater and a "90" error code will flash on the remote controller, ceasing operation. If this occurs, clear the clog or freeze so that condensate can freely flow. Be sure to slope the drain pipe, use the appropriate size pipe, allow the proper clearances, and apply freeze prevention measures (when necessary) to prevent the drain line from clogging or freezing.

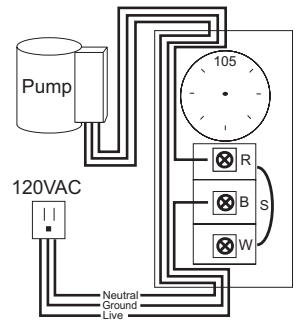
12. Plumbing Applications

Recirculation System



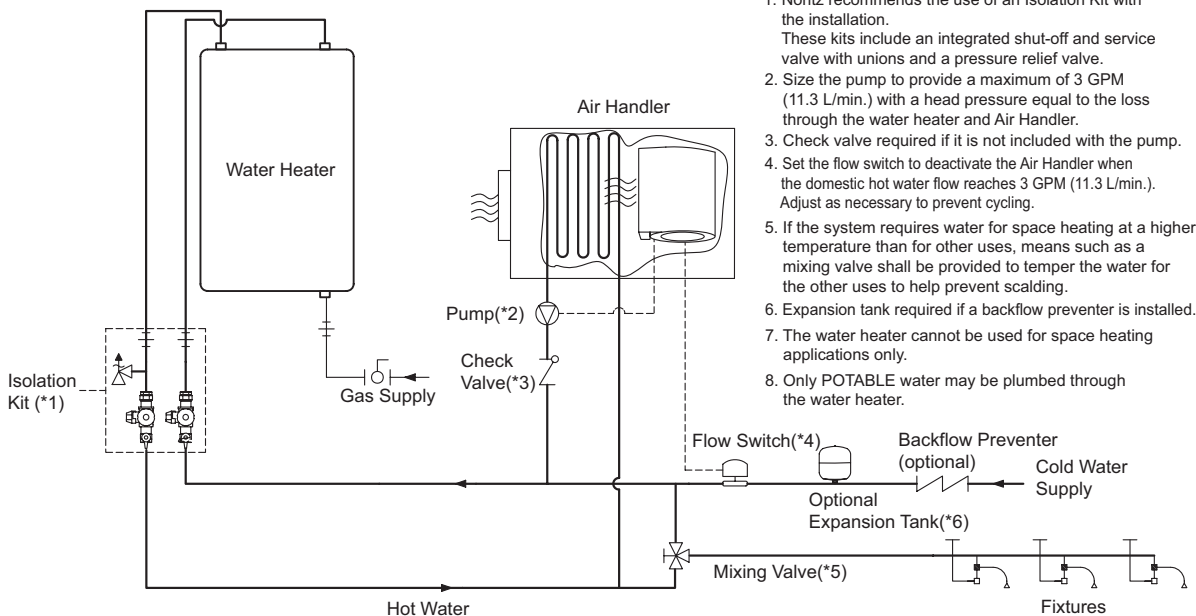
Notes:

1. Size the pump to provide a maximum of 2 GPM (7.5 L/min.) through the system at 10 ft (3m) of head plus piping losses. Adjust the flow using a globe valve and verify the flow rate with the maintenance monitors.
2. Pump Control Signal is the preferred method to control the recirculation pump. For pumps larger than 85W, a relay connection must be used. If the Pump Control Signal is not used, an Aquastat may be used to control the pump.
3. Set the Aquastat to 10°F below the set output temperature. An aquastat is the minimum pump control requirement in order to maintain the full recirculation warranty.
4. Noritz recommends the use of an Isolation Kit with the installation. These kits include an integrated shut-off and service valve with unions and a pressure relief valve.



Aquastat Wiring
Use Honeywell Aquastat
(Model L6006A or L6006C)

Combination Potable Water and Space Heating System



Notes:

1. Noritz recommends the use of an Isolation Kit with the installation. These kits include an integrated shut-off and service valve with unions and a pressure relief valve.
2. Size the pump to provide a maximum of 3 GPM (11.3 L/min.) with a head pressure equal to the loss through the water heater and Air Handler.
3. Check valve required if it is not included with the pump.
4. Set the flow switch to deactivate the Air Handler when the domestic hot water flow reaches 3 GPM (11.3 L/min.). Adjust as necessary to prevent cycling.
5. If the system requires water for space heating at a higher temperature than for other uses, means such as a mixing valve shall be provided to temper the water for the other uses to help prevent scalding.
6. Expansion tank required if a backflow preventer is installed.
7. The water heater cannot be used for space heating applications only.
8. Only POTABLE water may be plumbed through the water heater.

13. Electrical Wiring

Consult a qualified electrician for the electrical work.



Disconnect Power

Do not connect electrical power to the unit until all electrical wiring has been completed.

This appliance must be electrically grounded in accordance with local codes, or in the absence of local codes, with the National Electrical Code, ANSI/NFPA 70. In Canada, the latest CSA C22.1 Electrical Code.

Caution: Label all wires prior to disconnection when servicing controls. Wiring errors can cause improper and dangerous operation.

Verify proper operation after servicing.

Field wiring to be performed at time of appliance installation.

WARNING

Electrical Shock Hazard

Do not turn power on until electrical wiring is finished. Disconnect power before servicing. Failure to do so may result in death or serious injury from electrical shock.

- The electrical supply required by the water heater is 120VAC at 60 Hz. The power consumption may be up to 178W or higher if using optional accessories. Use an appropriate circuit.
 - Do not disconnect the power supply when not in use. When the power is off, the freeze prevention in the water heater will not activate, resulting in possible freezing damage.
 - Do not let the power cord contact the gas piping.
- Do not tie the redundant power cord outside the water heater. Putting the redundant length of cord inside the water heater may cause electrical interference and faulty operation.**

Ground

- To prevent electrical shock, provide a ground with resistance less than 100Ω . An electrician should do this work.

Do not connect the ground to the city water or gas piping. Do not tie the ground to a telephone line.

Breaker Installation

- Mount a device which shuts off the electrical path automatically (leakage breaker) when electrical leakage is detected.

CAUTION

Electrostatic discharge can affect electronic components. Take precautions to prevent electrostatic discharges from personnel or hand tools during the water heater installation and servicing to protect product's electronic control.

Remote Controller

• Applicable Model

Remote controller

RC-7651M

* Remarks [125 °F / 55 °C]

— Celsius display mode
— Fahrenheit display mode

Install the remote controller according to the instructions in the Installation Guide (p. 51).

* Only one remote controller can be connected to the water heater.

A malfunction may occur if two or more remote controllers are connected.

* The water heater has been factory set to allow a maximum temperature setting of [120 °F / 50 °C].

To access higher temperature settings through the remote controller, follow the below steps.

<When setting the maximum temperature to [125 -140 °F / 55 - 60 °C]>

1. Turn the water heater off by pressing the Power On/Off Button on the remote controller.
2. Press and hold the FLOW METER ALARM SET Button until a sound is heard (2 sec.) and [120 °F / 50 °C] appears on the display.
3. Set the upper limit of the hot-water supply temperature to [125 °F, 130 °F, 135 °F or 140 °F / 55 °C or 60 °C] using the UP and DOWN setting Buttons.
4. To put the water heater back into operation, press the Power On/Off Button on the remote controller. To keep the water heater off, let the unit sit for 30 sec. to return to the original display.

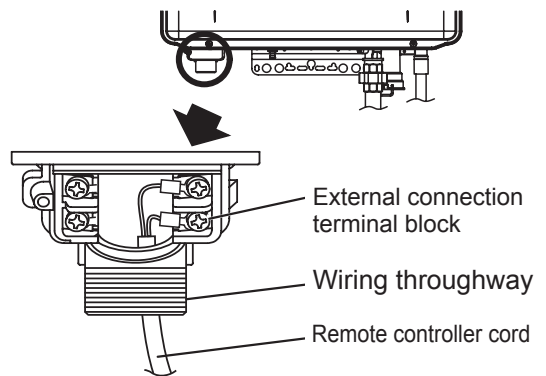
Connecting Remote Controller Cord to Unit

- Keep the remote controller cord away from the freeze prevention heaters in the unit.
- Tie the redundant cord outside the water heater. Do not put the extra length inside the equipment.
- The remote controller cord can be extended up to 300' (90m) with 18AWG wire.
- Use a Y type terminal with a resin sleeve. (Without the sleeve, the copper wire may corrode and cause problems).
- Be sure to hand tighten when screwing to the terminal block. Power tools may cause damage to the terminal block.

Remote controller cord

- For extensions, a 26' (8m) cord can be purchased (Part # RC-CORD26) or use 18AWG wire.
- Install according to the National Electrical Code and all applicable local codes.

1. Check to make sure that the remote controller cord has plenty of slack in order to reach the external connection terminal block.
2. Disconnect electrical power to the water heater.
3. Remove the single screw securing the terminal block cover and then remove the cover.
4. Pass the remote controller cord through the wiring throughway and connect the Y terminals at the end of the remote controller cord to the terminal block.
5. Replace the terminal block cover and install the screw previously removed in step 3.
6. Reconnect electrical power to the water heater.



DANGER

- When changing the temperature, make sure to confirm with the customer that the temperature of the hot water will be very high and that there is a risk of scalding.
- Hot water heater temperatures over 125 °F (52 °C) can cause severe burns instantly or death from scalding.

■ Changing Other Features

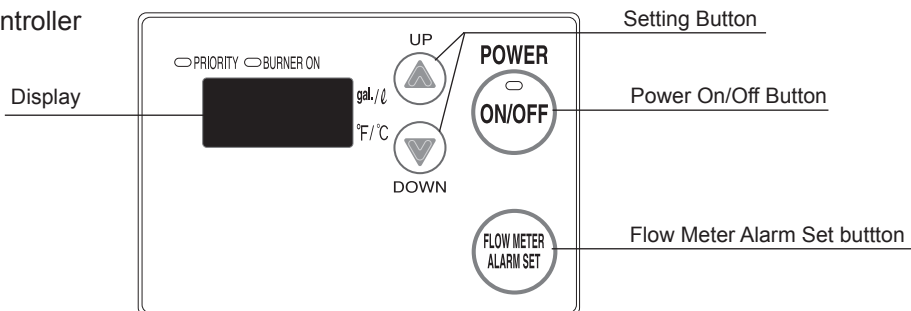
Adjusting the Temperature Display

Note: The setting must be done within the first 10 minutes of connecting electrical power to the water heater.

Table of Setting Items

Item No.	Item	Choices (factory defaults shaded)	
12	Celsius / Liter or Fahrenheit / Gallon display mode.	°F / gal (Fahrenheit / Gallon)	°C / L (Celsius / Liter)

■ Remote Controller



■ Setting Procedure

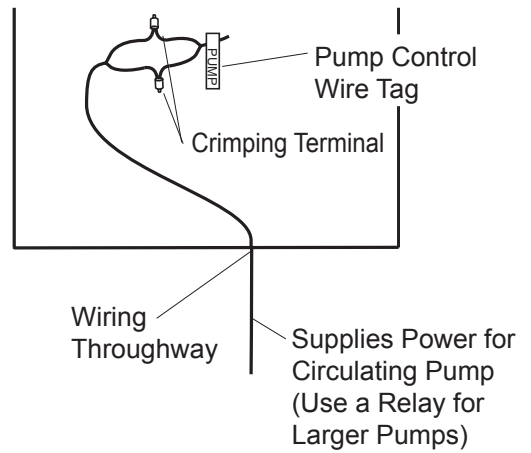
1. Turn the water heater off by pressing the Power On/Off Button on the remote controller.
2. Disconnect, then reconnect electrical power to the water heater.
3. Press the Flow Meter Alarm Set Button and hold it in for 2 seconds or more.
4. Press the Flow Meter Alarm Set Button until the remote controller displays item number "12".
5. Press Setting Button "▲" for 5 seconds or more to change the display units to " [°F / gal] ".
6. Press Setting Button "▼" for 5 seconds or more to change the display units to " [°C / L] ".
7. To confirm the setting, turn the water heater on by pressing the Power On/Off Button on the remote controller.

Pump Wiring

* This feature is not available when using the Quick Connect Multi System feature.

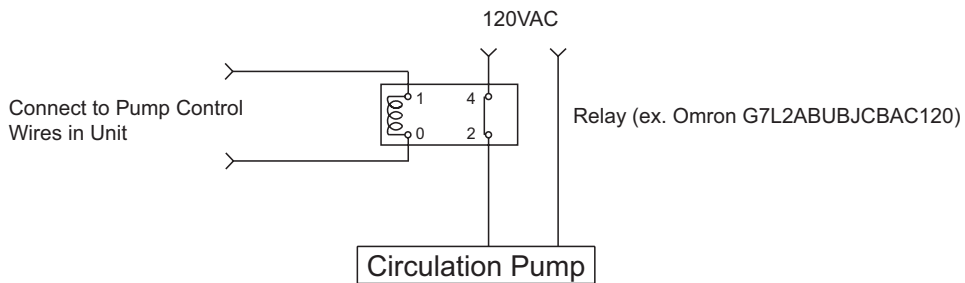
Connecting the pump control wire

1. Leave enough slack so that the pump control wires will stay connected if the unit is removed from the wall.
2. Remove the front cover of the heater (4 screws).
3. Cut off the connector at the end of the pump control wires.
4. Wire the pump control wires through the wiring throughway and connect them to the wiring inside the pump (this will be the power supply for the pump, do not also connect 120VAC to the pump).
If a large pump is being used (greater than 85W) use the voltage from these wires as the signal to close a normally open relay through which 120VAC will be supplied directly from a wall circuit to the pump.
5. Replace the front cover.



Relay connection with larger pumps (>85 W)

1. Locate and prepare the pump control wires as described above.
2. Choose a suitable installation location for the relay where it will be protected from moisture.
3. Connect the pump control wires from the heater to the signal input on the relay.
4. Cut one of the electrical supply leads and wire it across the open terminals of the relay.
5. Secure all connections and replace the front cover of the heater.



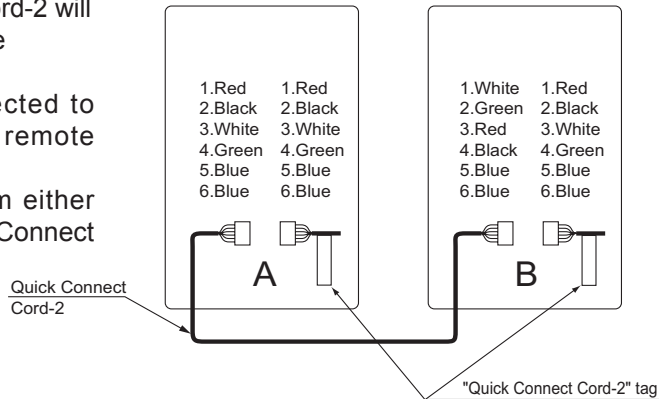
Connecting Quick Connect Cord-2

For Quick Connect Multi System Installation
use part #QC-2 only. (sold separately).

Caution

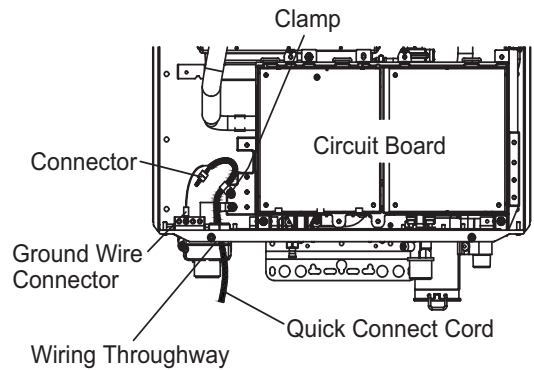
The wire coloring on the Quick Connect Cord-2 will not be the same as the wire coloring of the connection plug inside the unit.

- * The remote controller can be connected to either unit A or B. Do not connect a remote controller to both units.
- * Disconnect the remote controller from either unit A or B prior to installing the Quick Connect Cord.



Connecting the Quick Connect Cord to the two units.

1. Turn off the power.
2. Remove the front cover of the heater (4 screws).
3. Pass the Quick Connect Cord through the wiring throughway and into the unit.
4. Plug the connector on the Quick Connect Cord to the receptacle inside the unit.
5. Attach the ground wire of the Quick Connect Cord to the terminal block fixing plate. (If the ground wire is not attached, electrical noise may cause problems).
6. Secure the Quick Connect Cord with a clamp.
7. Replace the front cover.



14. Maintenance

Periodically check the following to ensure proper operation of the water heater.

- The venting system must be examined periodically by a qualified service technician to check for any leaks or corrosion.
- The burner flame must be checked periodically for a proper blue color and consistency.
- If the flame does not appear normal, the burner may need to be cleaned.
- If the burner needs to be cleaned, it must be performed by a qualified service technician.
- Do not obstruct the flow of combustion and ventilation air.
- The pressure relief valve must be operated once a year to ensure that it is functioning properly and there is no obstruction. Turn the power off to the unit before opening the relief valve, and make sure that water draining out of the valve will not cause any damage.
- If the relief valve discharges periodically, it may be due to thermal expansion in a closed water system. Contact the water supplier or a local plumbing inspector on how to correct this situation. Do not plug the relief valve.
- See the Owner's Guide for further maintenance.

Warning: There is a scald potential if the output temperature is set too high.

Should overheating occur, or the gas supply fail to shut off, turn off the manual gas control valve to the appliance.

Do not use this appliance if any part has been under water. Immediately call a qualified service technician to inspect the appliance and to replace any part of the control system and any gas control which has been under water.

Periodically check and clean the filter inside the cold water inlet of the unit.

15. Trial Operation

The installer should test operate the unit, explain to the customer how to use the unit, and give the owner this manual before leaving the installation.

- Preparation (1) Open a hot water fixture to confirm that water is available, and then close the fixture.
 - (2) Open the gas supply valve.
 - (3) Turn on the power supply. Using the remote controller, turn on the Power On/Off button (the Operation lamp will turn on).

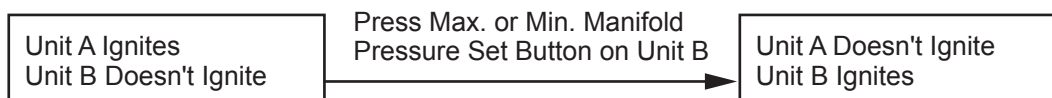
- (1) Open a hot water fixture and confirm that the Burner On lamp comes on, and that hot water is being produced. (If necessary, repeat until the air in the gas piping is bled out).
 - * White smoke may be noticed from the exhaust vent during cold weather. This is not a malfunction of the unit.
 - * If an "11" error code appears on the remote controller, turn the unit off and then back on again, and then open a hot water fixture again.
- (2) Change the temperature setting on the remote controller and check that the water temperature changes.

- If the water heater does not operate normally, refer to "Troubleshooting" in the Owner's Guide.
- * After the trial operation, clean the filter in the cold water inlet.

<If installed with a quick connect multi-system>

- Turn the system power ON with the remote controller.
- Slowly open a hot water fixture and check that the units ignite sequentially. Check to see that the hot water temperature is the same as the temperature displayed on the remote controller (*1)

* If both units do not ignite, switch which unit will ignite first by pressing the Max. or Min. Manifold Pressure Set Button on the circuit board. (*2)



* If an 11 or F11 error code flashes on the remote controller, hit the Power Button on the remote controller off and on 2 -3 times.

* If (*1) and (*2) cannot be done, the Quick Connect Cord may not be properly connected. Check that the cord is properly connected.



CAUTION

Handling after trial operation

- If the unit will not be used immediately, close off all gas and water shutoff valves, drain all of the water out of the unit and the plumbing system to prevent the unit and system from freezing, and bleed the gas out of the gas line.
Freezing is not covered by the warranty.



WARNING

A fire or explosion may result if these instructions are not followed, which may cause loss of life, personal injury or property damage.

Lighting Instructions

This water heater does not have a pilot. It is equipped with an ignition device that automatically lights the burner.

Do not try to light the burner by hand.

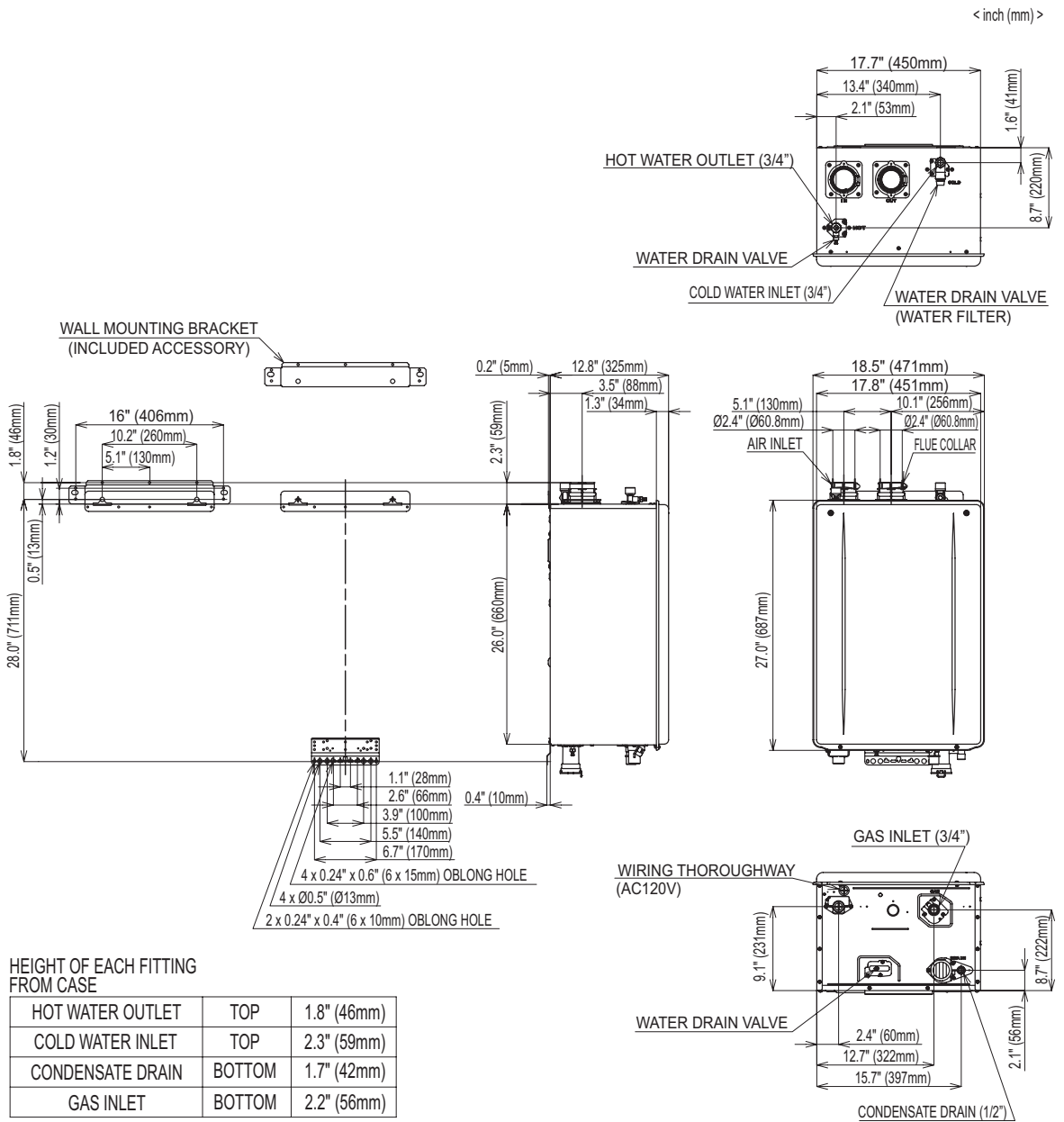
1. Read the safety information in the installation manual or on the front of the water heater.
2. Turn off all electrical power to the unit.
3. Do not attempt to light the burner by hand.
4. Turn the gas control manual valve (external to the unit) clockwise to the off position.
5. Wait five minutes to clear out any gas. If the smell of gas remains, stop, and follow the instructions on page 3 of Owner's Guide.
6. Turn the gas control manual valve counterclockwise to the on position.
7. Turn on electric power to the unit.
8. The unit will now operate whenever hot water is called for. If the unit will not operate, follow the shutdown instructions and call a service technician.

Shutdown Instructions

1. Stop any water demand.
2. Turn off electric power.
3. Turn the gas control manual valve clockwise to the off position.

Should overheating occur, or the gas supply fail to shut off, turn off the manual control valve to the appliance.

16. Dimensions



Remote Controller RC-7651M

For Installers:

Read this installation guide carefully before carrying out installation.

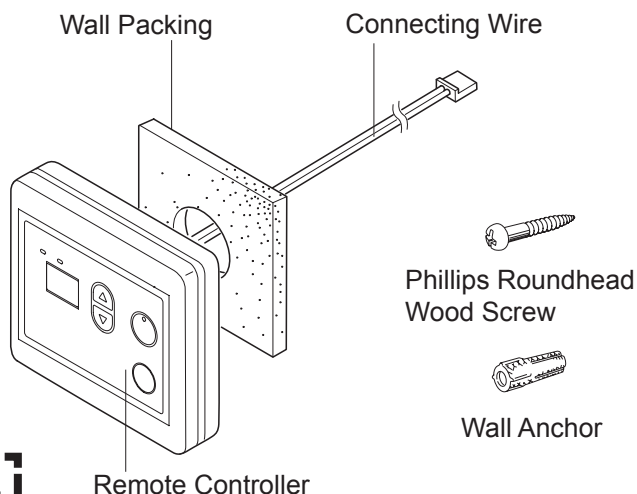
Installation Guide NORITZ AMERICA CORPORATION

Note

- Do not connect power to the water heater before the remote controller has been properly installed.
- Recommended installation location of the remote controller is in a bathroom.

Included Parts List

Part Name	Quantity
Remote Controller	1
Wall Packing	1
Phillips Roundhead Wood Screw	2
Wall Anchor	2



Do not disassemble the remote controller.

Notes on the Installation Location

- The remote should be installed in an easily accessible location.
- Avoid installing in a place where water or steam can come into contact with the controller.
- Avoid locations where special chemical agents (e.g., benzene, fatty and oily detergents) are used.
- Avoid outdoor installation, or installation in an indoor location where it will be exposed to direct sunlight.

Connection of Remote Controller Cord

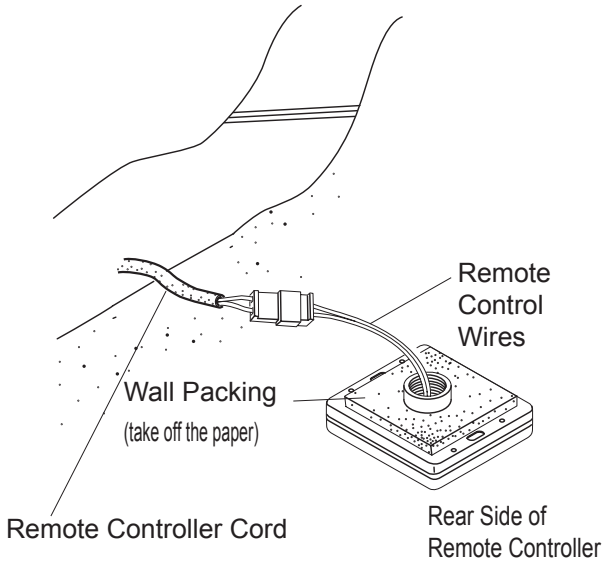
White Connector → To Remote controller

Y-shaped terminals (two-core) → To Water heater

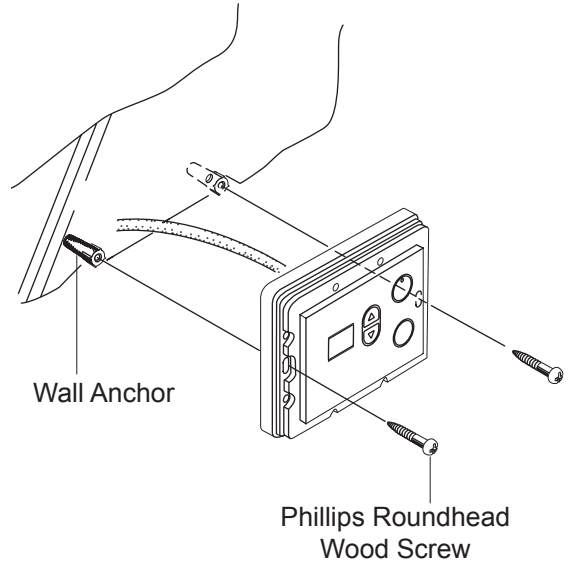
- * Confirm the connection with the labels at both ends of the remote controller cord.
- A 26' (8m) cord can be purchased separately (Part # RC-CORD26).
- The remote controller cord can be extended up to 300 ft (90m). by splicing the cord and using 18 gauge wire to extend the cord to the appropriate length.

Installation

1. Apply Wall Packing to the rear side of the remote controller.
2. Connect the remote controller wires to the separate remote controller cord.



3. Remove the cover of the remote control, mark the location of the screw holes, and drill holes for the wall anchors.
4. Insert the wall anchors, screw the remote control to the wall and replace the cover.



Remote Controller
RC-9018M

Requests to Installers

- In order to use the water heater safely, read this installation guide carefully, and follow the installation instructions.
- Failures and damage caused by erroneous work or work not as instructed in this manual are not covered by the warranty.
- Refer to the Installation Manual provided with the water heater for complete installation details.

Installation Guide

NORITZ AMERICA CORPORATION

In order to use this product safely, read this installation manual carefully and follow the installation instructions.

- Potential dangers from accidents during installation and use are described below. Closely observe these warnings, they are critical to your safety.



CAUTION

CAUTION indicates a potentially hazardous situation which, if not avoided, may result in minor or moderate injury.



CAUTION

The remote controller is not water resistant. Keep it dry.



CAUTION

- Do not connect power to the system unit until the remote controller installation is complete.
- Be sure to fasten the mounting screws tightly by hand so that the remote controller will be secure.
 - * Do not use electric drivers, impact drivers and so forth. Tightening with excessive force may cause the mounting bracket to be damaged and lead to failures.
- Install the remote controller on an even wall surface.
 - * Installing it on an uneven wall surface may cause the bracket to be damaged and lead to failures.
- This remote controller has a built-in speaker which can be damaged by metal shavings resulting in sound cracking.
Keep the remote controller in a safe location prior to mounting it on the wall to prevent metal shavings from entering the remote controller.

Note

- Cutting too large of a hole on the wall may result in failure to properly secure the remote controller.
- Never fasten or loosen unnecessary screws in order to complete the remote controller installation.
- Be sure to check the positions of wall studs or other obstructions when determining the installation location for the remote controller.
- Secure the remote controller cable with appropriate anchors, ties, etc.
- Wire the remote controller cable in an area where it will not be directly affected by heat.
- To embed the remote controller cable in concrete, brick, etc., enclose it in conduit in order to prevent the remote controller cable from becoming damaged.
- When penetrating a wall containing metal lath, prevent the lath from coming into contact with any metallic conduit used in order to prevent electrical interference.
- Wiring shall be provided so that the remote controller cable length is 300 ft (90m) or shorter.
- Connect the remote controller cable to the terminal block of the water heater (see Installation Manual provided with the water heater).

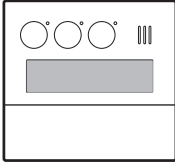
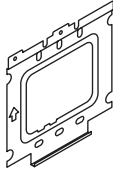

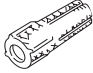
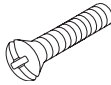

Post-installation Checks

- (1) Check if the remote controller is installed securely.
- (2) Verify remote controller operation (see Owner's Guide).
 - * Press the Power On/Off button approximately 5 seconds after connecting power to the system.
 - * Check if the temperature setting on the remote controller is appropriate.

Explanation to the Customer

Explain the "Important Safety Information", "Operation Procedures" and "Follow-up Service" according to the Owner's Guide supplied with the water heater.

Included Parts List (The value in () indicates the quantity.)

Remote Controller	Mounting bracket	Raised countersunk head wood screw	Wall anchor	Raised countersunk head screw	Machine screw
(1)	(1)	(2)	(2)	(2)	(2)
				 (For junction box installation)	

Notes on the Installation Location

- The remote should be installed in an easily accessible location.
- Avoid installing in a place where water or steam can come into contact with the controller.
- Avoid locations where special chemical agents (e.g., benzene, fatty and oily detergents) are used.
- Avoid outdoor installation, or installation in an indoor location where it will be exposed to direct sunlight.

Connection of Remote Controller Cord

White Connector → To Remote controller

Y-shaped terminals → To Water heater (two-core)

- * Confirm the connection with the labels at both ends of the remote controller cord.
- A 26' (8m) cord can be purchased separately (Part # RC-CORD26).
- The remote controller cord can be extended up to 300 ft (90m). by splicing the cord and using 18 gauge wire to extend the cord to the appropriate length.

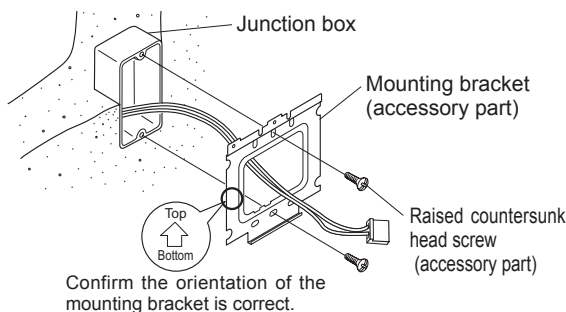
Installation

1. Attach the mounting bracket to the wall.
The parts to be used vary depending on the attachment method.

* Never use electric drivers, impact drivers and so forth.
Tightening with excessive force may result in deformation of the mounting bracket and/or failures.

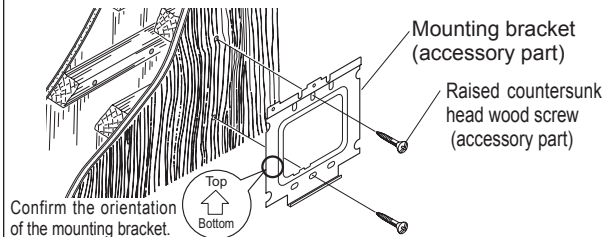
<When attaching to a junction box>

- Use the raised countersunk head screws to attach the mounting bracket to the junction box. (In this case, the wall anchor and raised countersunk head wood screws are not used.)



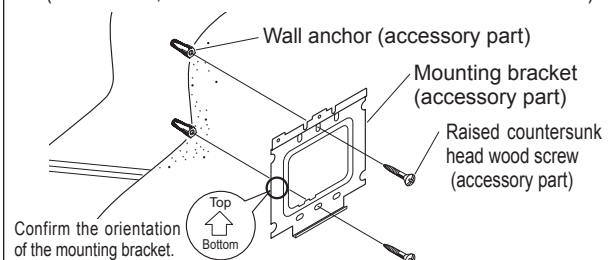
<When attaching to a wood surface>

- Use the raised countersunk head wood screws to attach the mounting bracket. (In this case, the wall anchor and raised countersunk head screws are not used.)

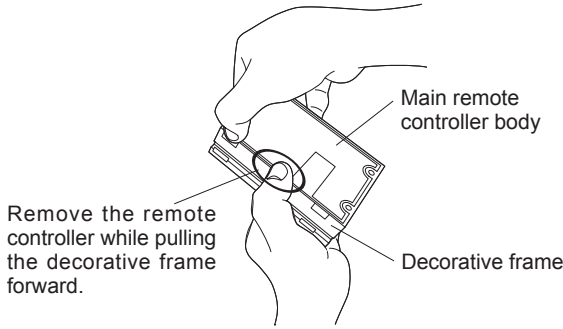


<When attaching to a concrete wall surface>

- Drill a $\phi 1/4$ " ($\phi 6$ mm) hole, approx. 1" (25mm) in depth, and hammer in the wall anchor. Attach the mounting bracket using the raised countersunk head wood screws. (In this case, raised countersunk head screws are not used.)

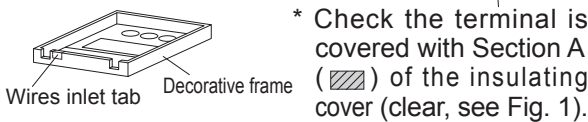
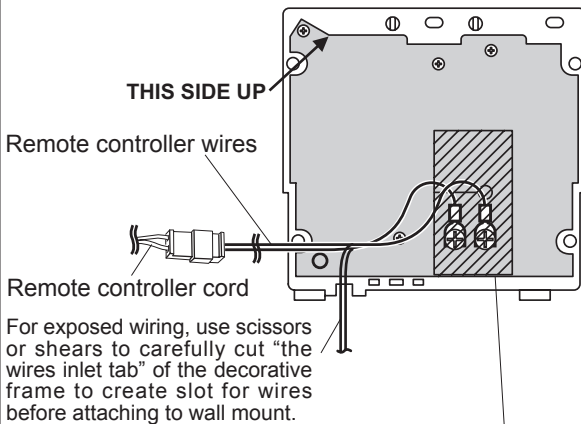


2. Remove the decorative frame from the remote controller. (The remote controller is inserted in the decorative frame.)



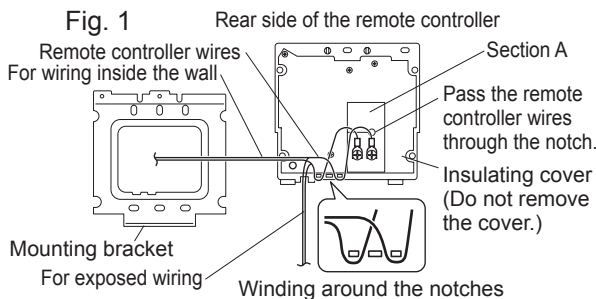
3. Connect the remote controller wires to the cord supplied with the water heater.

- * Do not remove the remote controller wires from the terminal block, connect these wires to the remote controller cord.
- * Do not remove the insulating cover (clear).
- * Some modifications are required on the frame to complete the installation. See note below.



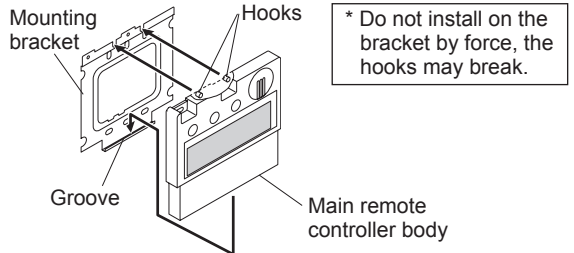
- * If the Y-shaped terminal is not covered, the exposed section may come into contact with the mounting bracket resulting in improper operation or failure.

4. Secure the remote controller wires by winding them around the notches as shown in Fig. 1.



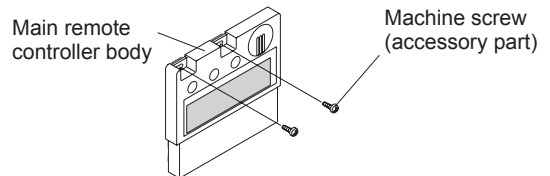
5. Attach the remote controller to the mounting bracket. Insert the bottom of the remote controller into the groove at the bottom of the bracket and push in the 2 hooks on top of the remote controller completely.

- * If it is difficult to attach, do not try to force it as it may result in broken hooks. Check for proper alignment in the groove or for loose wires obstructing the remote controller.



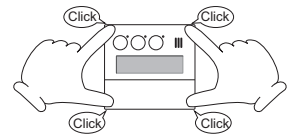
- * Do not install on the bracket by force, the hooks may break.

6. Secure the remote using the machine screws.



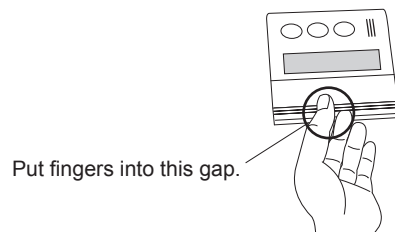
7. Attach the decorative frame which was removed in the second step. Push the 4 corners of the decorative frame until there is a click.

- * Incomplete installation may result in failures such as switch operation failure.



Note: To remove the decorative frame after installation of the remote controller and the frame, pull the entire decorative frame forward while pressing the sections indicated (where the fingers are) in the figure below.

- * If it does not come off, insert a flat head driver into the notch at the bottom of the decorative frame and slightly twist it to remove (due caution is required not to scratch the remote controller, decorative frame or the wall in doing so).



Optional Remote Controller

• Applicable Model

Remote controller	RC-9018M
-------------------	----------

* Remarks [125 °F / 55 °C]

↑ Celsius display mode

↑ Fahrenheit display mode

Install the remote controller according to the instructions in the Installation Guide. (p. 53).

* Only one the remote controller can be connected to the water heater.

A malfunction may occur if two or more remote controllers are connected.

* The water heater has been factory set to allow a maximum temperature setting of [120°F / 50°C].

To access higher temperature settings through the remote controller, follow the below steps.

<When setting the maximum temperature to [125 -140°F / 55-60°C]>

1. Turn the water heater off by pressing the Power On/Off Button on the remote controller.
2. Press the MENU Button inside the remote cover, select "Misc settings" using the ▲ / ▼ Buttons.
3. Press the ENTER Button, the "Misc settings" screen appears on the display.
4. Select "Max set Temp" using the ▲ / ▼ Buttons.
5. Press the ENTER Button, [120°F / 50°C] appears on the display.
6. Set the upper limit of the hot-water supply temperature to [125°F, 130°F, 135°F or 140°F / 55°C or 60°C] using the ▲ / ▼ Buttons.
7. Press the ENTER Button, "Set complete" appears on the display and then returns to the "Misc settings" screen.
8. To put the water heater back into operation, press the Power On/Off Button on the remote controller. To keep the water heater off, either press the MENU Button or let the unit sit for 20 sec. to return to the original display.



DANGER

- When changing the temperature, make sure to confirm with the customer that the temperature of the hot water will be very high and that there is a risk of scalding.
- Hot water heater temperatures over 125 °F (52 °C) can cause severe burns instantly or death from scalding.

■ Changing Other Features

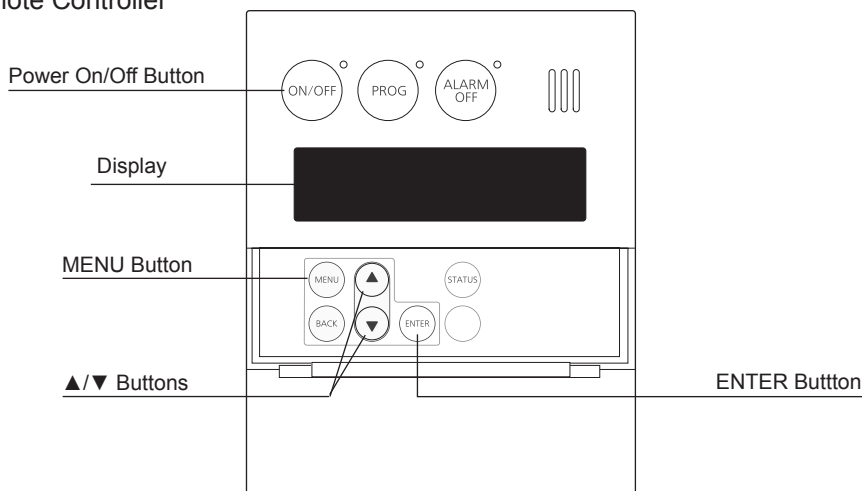
Adjusting the Temperature / Water Quantity Display

Note: The setting must be done within the first 10 minutes of connecting electrical power to the water heater.

Table of Setting Items

Item	Choices (factory defaults shaded)	
Celsius / Liter or Fahrenheit / Gallon display mode.	°F / gal (Fahrenheit / Gallon)	°C / L (Celsius / Liter)

■ Remote Controller



■ Setting Procedure

1. Turn the water heater off by pressing the Power On/Off Button on the remote controller.
2. Disconnect, then reconnect electrical power to the water heater.
3. Press the MENU Button inside the cover, select "Initial settings" using the ▲/▼ Buttons.
4. Press the ENTER button, the "Initial settings" screen appears on the display.
5. Select "[°F / gal] ↔ [°C / L]" using the ▲/▼ Buttons.
6. Press the ENTER Button and select either [°F / gal] or [°C / L] using the ▲/▼ Buttons.
7. Press the ENTER Button, "Set complete Please wait..." appears on the display for 5seconds and then the "Initial settings" screen appears on the display.
8. To confirm the setting, turn the water heater on by pressing the Power On/Off Button on the remote controller.

Installation Manual

NORITZ AMERICA
CORPORATION

Vent Kit for Condensing Tankless Gas Water Heater

Model: EZ2FVK-1 (Flex Vent 2" Kit 25 feet)

[Applicable Model]

- [EZTR40] NRC663-FSV
- [EZTR50] EZ98DV (GQ-C2859WX-FF US)
- [EZTR75] EZ111DV (GQ-C3259WX-FF US)

Potential dangers from accidents during installation and use are divided into the following three categories. Closely observe these warnings, they are critical to your safety.



DANGER

DANGER indicates an imminently hazardous situation which, if not avoided, will result in death or serious injury.



WARNING

WARNING indicates a potentially hazardous situation which, if not avoided, could result in death or serious injury.



CAUTION

CAUTION indicates a potentially hazardous situation which, if not avoided, may result in minor or moderate injury.

DANGER :

- Never use this Vent Kit other than for the Applicable Model (including the model manufactured by others) designated in this manual.

WARNING :

- If the information in this manual is not followed exactly, a fire or explosion may result causing property damage, personal injury or death.
- Do not install only with the EZTR Start-up Guide. Read this manual also before installation.



Prohibited



Be sure to do



CAUTION

Requests to Installers

- This manual is for the vent components for the designated tankless water heater. For the installation of the Tankless Water Heater itself, read the installation manual packed with it.
- In order to install this vent kit correctly, read this installation manual carefully, and follow the installation instructions.
- Failures and damage caused by erroneous work or work not as instructed in this manual are not covered by the warranty.
- Check that the installation was done properly in accordance with this installation manual upon completion.
- After completing installation, place this installation manual in a plastic pouch and attach it to the side of the water heater, or hand it to the customer to retain for future reference.

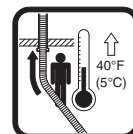
Installation must conform with local codes, or in the absence of local codes, the National Fuel Gas Code, ANSI Z223.1/NFPA54-latest edition.

Noritz America reserves the right to discontinue, or change at any time, the designs and/or specifications of its products without notice.

1. General Information

Property damage, personal injury or death can result if these instructions are not followed. They are a guide for professional installers generally familiar with the installation and maintenance of heating equipment and related vent systems.

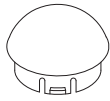

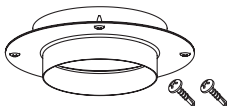
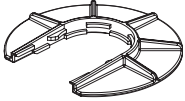
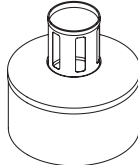
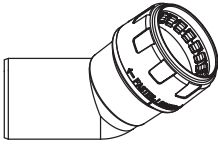
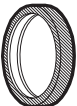
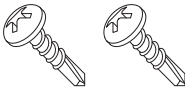
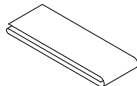
- Flex Vent 2" Kit is designed only for the installation inside of B-Vent as sleeve. Do not use it for other installation method. Also do not use it outdoor.
- Do not use for anything other than designated Tankless Water Heater (including the model manufactured by others).
- Flex Vent 2" Kit can be installed at zero clearance to combustible materials.
- Appliances can be started up immediately after Flex Vent 2" Kit is installed and inspected.
- Flex Vent 2" Kit vent systems expand and contract slightly during heating cycles and must be installed following included instructions.
- Keep Flex vent greater than 40°F(5°C) during installation. Damage will occur if handled or installed at lower temperatures.
- Information regarding certification of "Flexible vent pipe and connections".

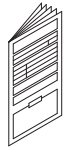

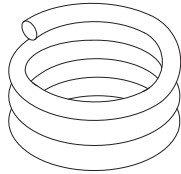
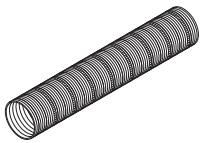


Standard(s)	ULC-S636-08 Standards for type BH Gas Venting Systems
Product	25Feet-Flex Pipe 2"-LE , Flex Vent 2" Rigid 45 Elbow Set - LE
Brand name	Living Engineering Co., Ltd.

2. Included Accessories

The following accessories are included.
Check for any missing items before starting installation.

	Part	Shape	Q'ty
Bag "Step-1"	Flex Feeder		1
	Base Junction Support • Clamp x3		1
	Base Junction Adapter Set		1
Bag "Step-2"	Top Flex support		1
	Universal Rain Cap		1
Bag "Step-3"	Rigid 45 Elbow SET		1
	Flex 2" Vent Gasket		1
	Fastening Screws		2
	Aluminum tape		1

Part	Shape	Q'ty
Installation Manual (This document)		1
EZTR 25 Feet Start Up Guide		1
Flex Pipe 2" approximately 25 feet		1
Flex Sleeve		1

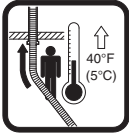


3. General Safety

DANGER

Checkup

- If similar flexible vent has already been installed, it must be replaced with this designated new Flex Vent Kit.

WARNING

- Flex Vent 2" Kit is designed only for installation inside of B-Vent wall. Do not use it for other installation method. Also do not use it outdoor.
 - Only approved for use with the designated B-Vent manufactures.
 - If the Rain Cap and B-Vent itself are damaged by corrosion, it must be replaced with new ones.
 - Before installation, make sure no nails or screws have penetrated the inner B-Vent wall where the flexible vent will be installed. Those obstructions may damage the flexible vent and may result in fires, property damage or exposure to Carbon Monoxide.
 - Do not reuse the flexible vent once it has been installed, removal of the vent may have caused damage to the flexible vent.
 - Keep Flex vent at a temperature greater than 40°F(5°C).
Material temperature is not less than 40°F(5°C) during installation.
Damage will occur if handled or installed at lower temperatures.
- 
- If the temperature is below 40°F(5°C) it's recommended that you store the flexible vent in a warm room or car for 30 minutes. If you find that the flexible vent is still stiff, you may need to use a hair dryer and warm both ends of the pipe to prevent breakage.
 - Make sure components are kept under these following conditions.
 - ※ Clean and dry place.
 - ※ Above 40°F(5°C)
 - ※ Keep out of direct sunlight.
- 
- 
- Minimum bend radius should be more than 7 inch.
 - Handle the flexible vent carefully.
Dropping, Crushing and Stacking may cause damage, and may result in fires, property damage or exposure to Carbon Monoxide.
 - Flex Vent 2" Kit cannot be painted.
 - Avoid places where open flame are common, such as those where gasoline, benzene and adhesives are handled, or places in which corrosive gases (ammonia, chlorine, sulfur, ethylene compounds, acids) are present.
 - Avoid installation in places where dust or debris will accumulate.
Dust may block the air-supply opening, causing the performance of the device fan to drop and incomplete combustion may occur as a result.
 - Avoid installation in places where special chemical agents (e.g., hair spray or spray detergent) are used.
 - For your safety, do not attempt to work on a rooftop until safety precautions have been identified and proper fall safety measures have been taken, including the use of ladders or stairways, and personal protective equipment (PPE).
 - Installation in windy or wet conditions require additional precautions. Follow local safety regulations.

⚠ CAUTION

- Check for any damage to components that may have occurred during transportation before installation.
- Consult with the customer regarding the location of installation.
- Do not install this Flex Vent 2" Kit in a place where it may be subject to falling objects, such as under shelves.
- Flex Vent 2" Kit vent systems expand and contract slightly during heating cycles and must be installed according to supplied instructions.

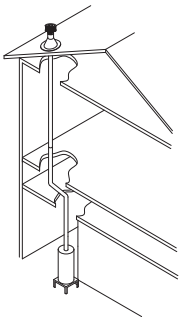
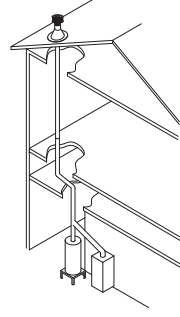
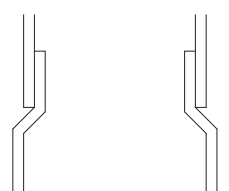
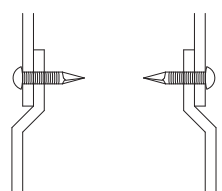
4. Before Installation (Check the condition of installation site)

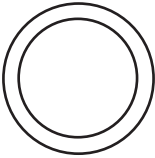
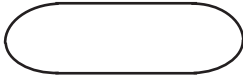
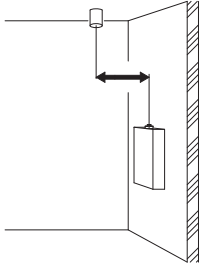
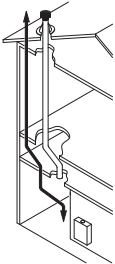
Check that the following items are "(OK) Can be installed" before installation.
 If all items are "(OK) Can be installed", proceed to the next step, "6. Installation".

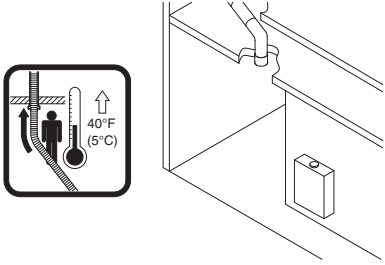

PAUSE FOR A MOMENT

Verify if the installation of a rain cap of different appearance will conflict with Home Owners Associations rules to prevent future issues.

If NOT, contact customer service at 1-866-766-7489 to purchase optional installation kit for the existing Rain Cap.

Check point	Can be installed(OK)	Cannot be installed(NG)	Mark "✓" if each condition is matched.
1. Vent system.	Vent system is used by 1 appliance only	Common vent	
			
2. No Screws or nails protruding within the B-Vent	No	Yes (If Yes to protruding screws or nails, flex vent cannot be installed.)	
			

Check point	Can be installed(OK)	Cannot be installed(NG)	Mark "✓" if each condition is matched.
3.B-Vent shape	Round	Oval	
			
4.B-Vent diameter	3" or 4"	5" or larger	
5.Horizontal distance between B-Vent connection from the ceiling and the unit is no more than 5ft.	5ft or less	More than 5 ft	
			
6.Vent length from the top of unit to the rain cap.	25 feet or less	More than 25 feet	
	 <p data-bbox="555 1255 1003 1314">If you need more than 25 feet of Flex pipe contact Noritz America 1-866-766-7489</p>		

Check point	Can be installed(OK)	Cannot be installed(NG)	Mark "✓" if each condition is matched.
7.Ambient temperature where unit is installed.	More than 40°F (5°C)	40°F (5°C) or less *Refer to page 4	
			
8. Accessibility to Rain Cap	Can access Rain Cap	Cannot access Rain Cap(High pitch etc.)	
			

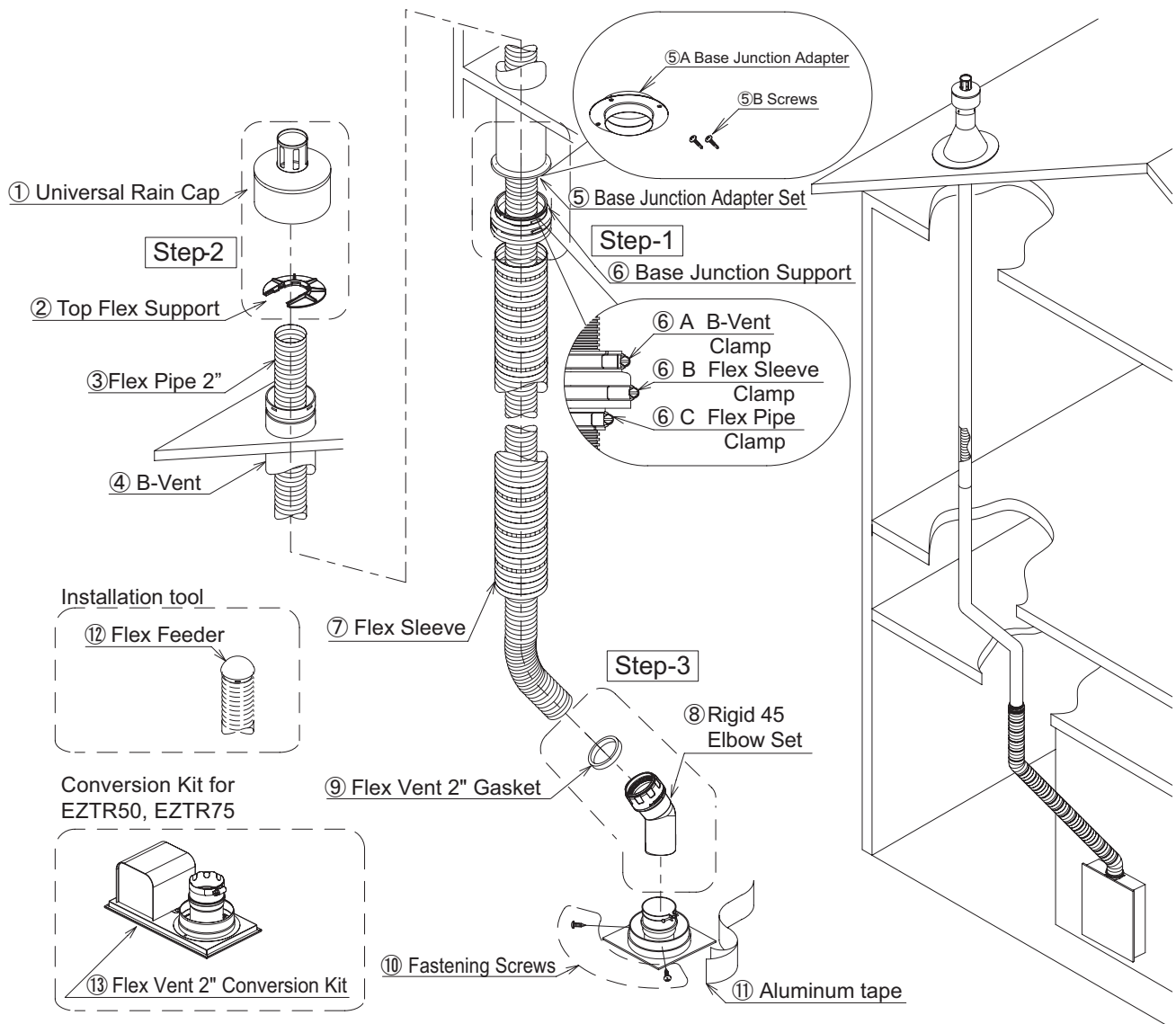
5. Sample of the Venting system

- The pictured image of the system consisted of this Vent Kit and the explanation of the name of the components

The image of the Flex Vent 2" Kit system is as listed below.

Only when the venting components and the water heater are installed correctly, the customer can use the hot water correctly and safely.

The numbers before the names of the components are corresponding to the same component names as in step "6. Installation".



6. Installation

In the installation, some work will be done above the roof, extra care and fall protection may be required. Take extra care and responsibility to do the installation as safely as possible.

WARNING :

- For your safety, do not attempt to work on a rooftop until safety precautions have been identified and taken including without limitation fall protection measures, ladders or stairways, and personal protective equipment (PPE).
- Installation in windy or wet conditions require additional precautions. Follow local safety regulations.



Be sure to do

【Maximum Vent lengths】

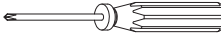
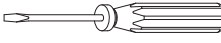

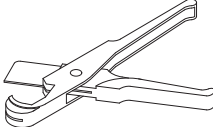
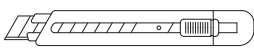
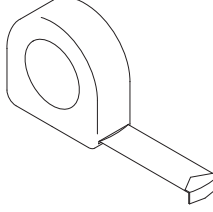
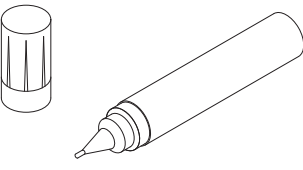
- Max. Straight Vent Length: 35'(10.5m). Note that the kit comes with approximately 25' of venting. If you need more than 25 feet of Flex pipe contact Noritz America 1-866-766-7489.
- Max. allowable 45 degree elbows(B-Vent) are 2 elbows.
 - * Not including "⑧ Rigid 45 Elbow Set"
 - * No 90° elbows(B-Vent)



Be sure to do

- Only when the all conditions of "4. Before Installation (Check the condition of installation)" are satisfied, proceed with the installation, following the below mentioned installation procedure.

2. Tools necessary for the installation

①Screwdriver	②Cutting tool	③Tape Measure	④Marker
 <ul style="list-style-type: none"> •Phillips head <div style="border: 1px dashed black; padding: 5px; margin: 5px 0;">  <ul style="list-style-type: none"> •Flat head </div> <p style="text-align: center;">or</p>  <ul style="list-style-type: none"> •Box wrench(5/16") 	<ul style="list-style-type: none"> •For cutting the flexible vent.  <ul style="list-style-type: none"> •PVC Cutter  <ul style="list-style-type: none"> •Box Cutter etc. <p>※Hand saws are not approved for cutting.</p>		

3.Installation Procedure

Follow the below motioned procedure and install correctly. Specially, be sure to check each 【Point】 carefully. If not installed correctly, the water heater will not function properly.



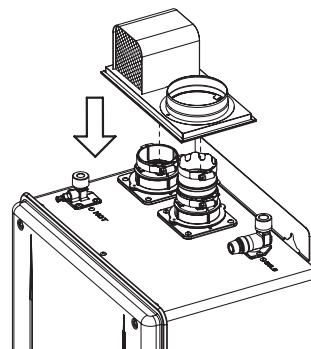
Be sure to do

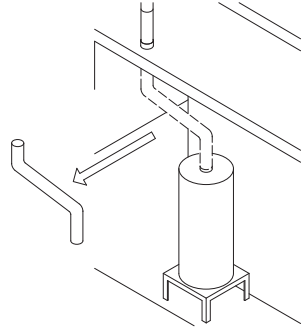
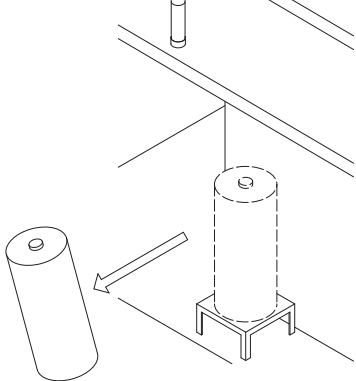
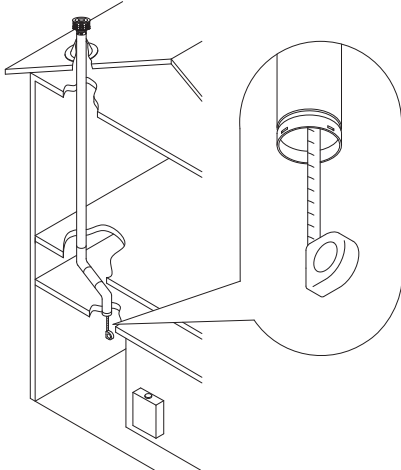
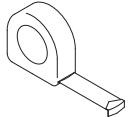
- Only use the parts provided in the package for construction. Using parts other than the ones provided may cause the product to be assembled incorrectly.

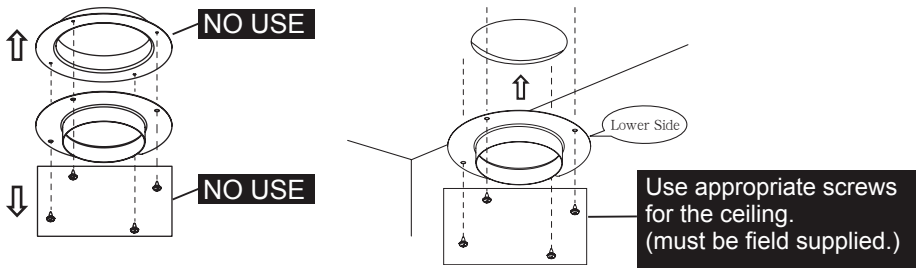
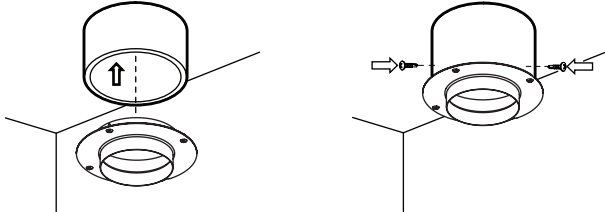
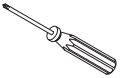


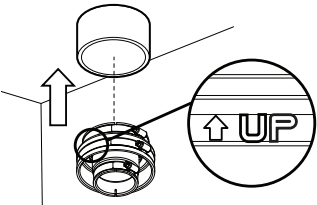
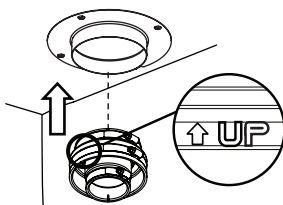
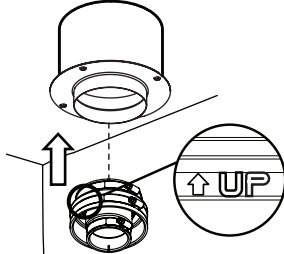
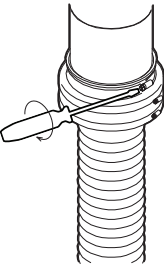
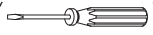
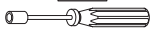

For [EZTR50] EZ98DV(GQ-C2859WX-FF US)
[EZTR75] EZ111DV(GQ-C3259WX-FF US)

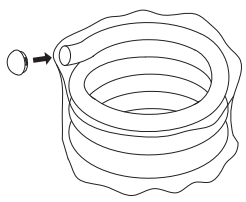


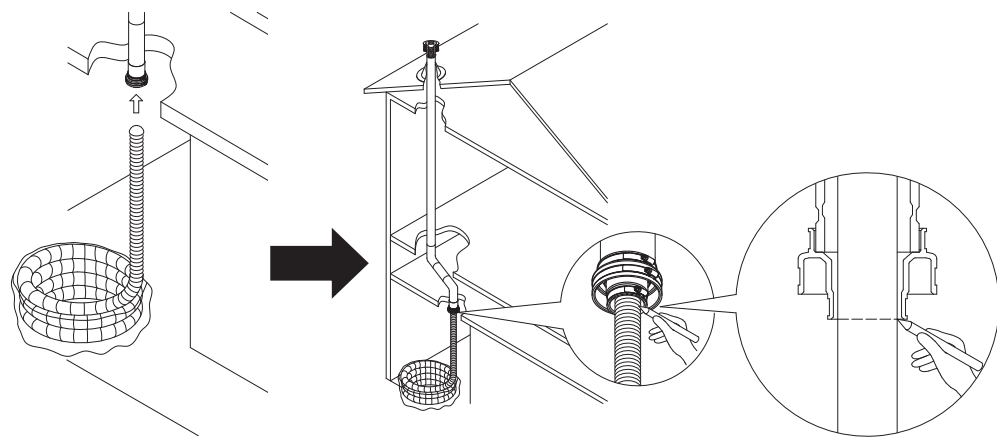


Follow the instruction in the Flex Vent 2" Conversion Kit Installation Manual to install the Flex Vent 2" Conversion Kit.

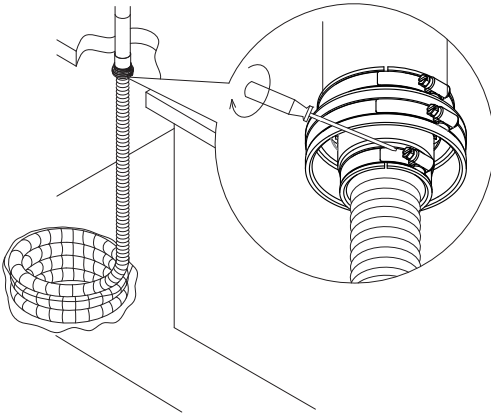
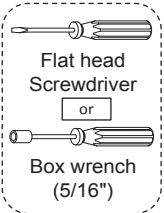
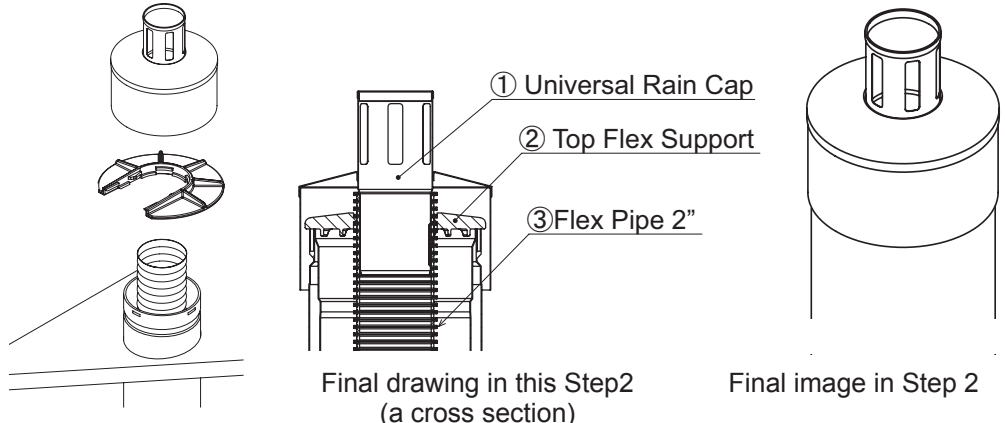
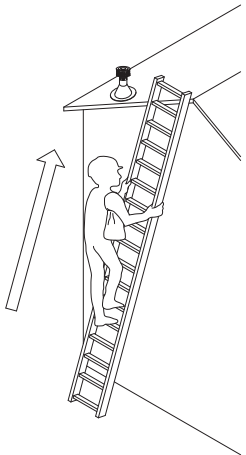
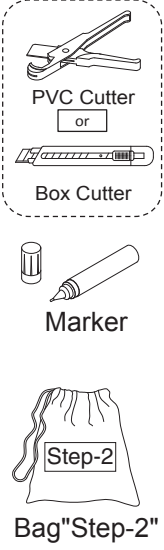
Note : This manual illustrates installation for the NRC663-FSV.
Installation for other models may vary slightly.

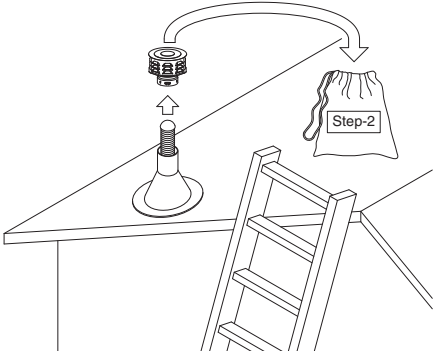
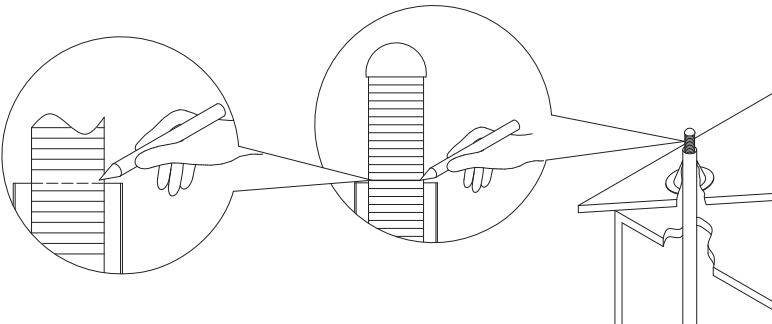

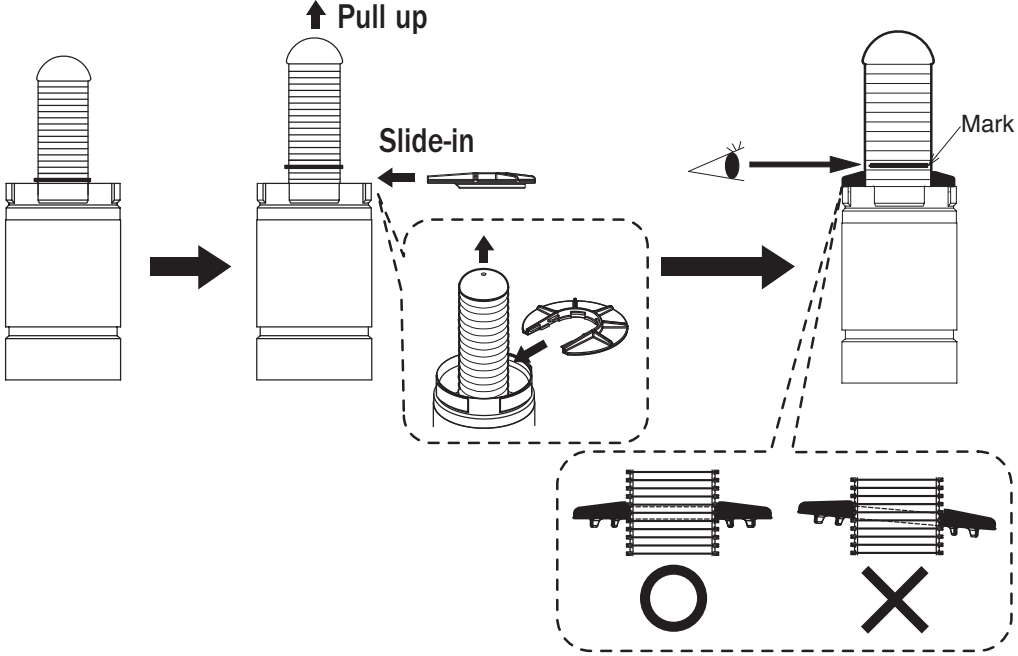



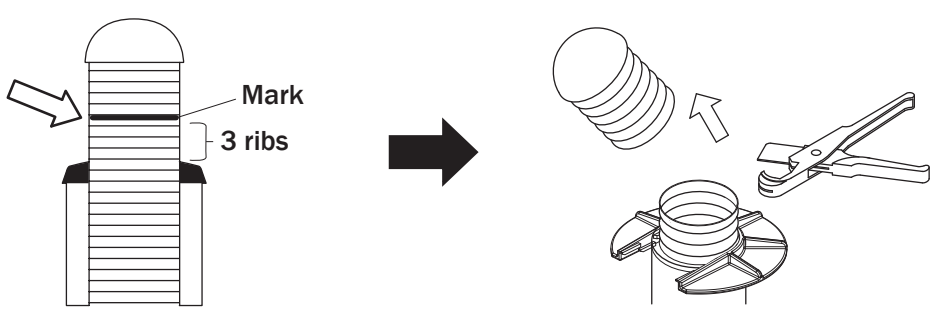
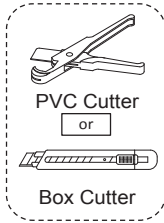
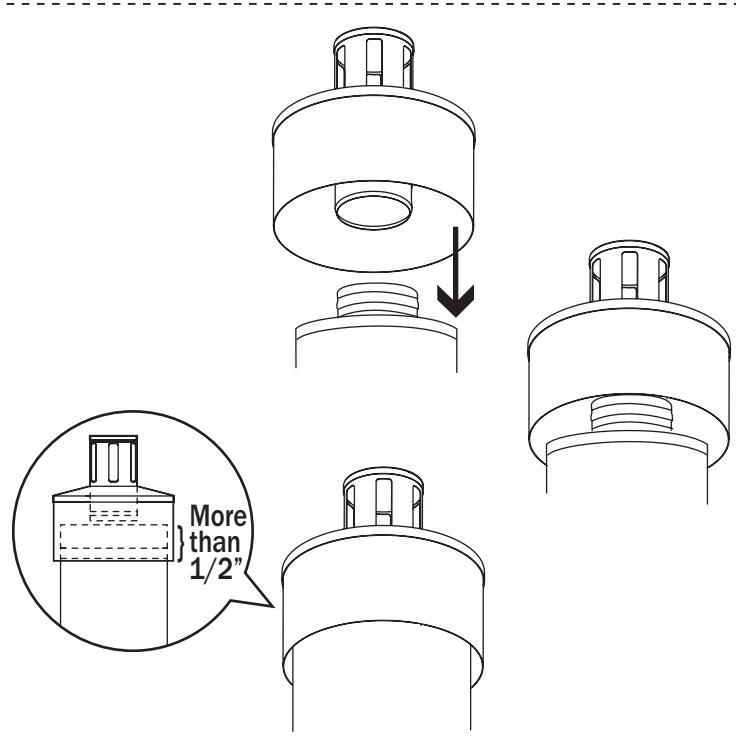
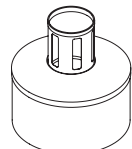
Step	Installation Procedure(ex. @Garage)	Necessary Tool
Step-1 (Work where equipment is installed)	<p>1 Remove the B-Vent between bottom of ceiling and tank type water heater.</p> 	
	<p>2 Drain and remove the tank type water heater.</p> 	
	<p>3 Use a measuring tape to measure from the bottom of the "④B-Vent" to the roof termination to get the total length of the vent run. ※The Measured vent run length will be used in procedure No. 23 later. Make a note of the Vent Run Length.</p> 	 Tape Measure

Step	Installation Procedure(ex. @Garage)	Necessary Tool
4	<p>Grab Bag Labeled "Step-1" for this step of the installation.</p> <p>Measure "④B-Vent" Diameter</p> <p>※Installation for 3" or 4" where "④B-Vent" does not come down through the ceiling. Remove the four screws from "⑤A Base Junction Adapter" Place and center "⑤A Base Junction Adapter" (Lower side) over the opening of ceiling.</p> <p>Attach "⑤A Base Junction Adapter" with four screws (must be field supplied) to the ceiling.</p>  <div style="border: 1px solid black; padding: 5px; margin-top: 10px;"> <p>! Be sure to do If strength of the ceiling is not sufficient (i.e. plasterboard), take appropriate measures to ensure safe installation.</p> </div> <p>※Installation for 4" "④B-Vent" Insert "⑤A Base Junction Adapter" onto the 4" "④B-Vent" Attach "⑤A. Base Junction Adapter" with two "⑤B Screws" from outer pipe of "④B-Vent".</p> 	 <p>Phillips Head Screwdriver</p>  <p>⑤A Base Junction Adapter</p>  <p>⑤B Screws</p>
5	<p>Insert "⑥Base Junction Support" to the bottom of "④B-Vent" that is sticking out from the ceiling or "⑤A. Base Junction Adapter". Firmly tighten "⑥Base Junction Support" with "⑥A. B-Vent Clamp", be careful not to over tighten, this may distort the rubber. Check to see if it secure by pulling by hand.</p> <p>※The tightening torque should be between 7 and 10 in lb.</p> <div style="display: flex; justify-content: space-around; margin-top: 20px;"> <div style="text-align: center;"> <p><u>Installation for 3" B-Vent</u></p>  </div> <div style="text-align: center;"> <p><u>Installation for no B-Vent Protruding</u></p>  </div> <div style="text-align: center;"> <p><u>Installation for 4" B-Vent</u></p>  </div> </div> 	<div style="border: 1px dashed black; padding: 5px; margin-bottom: 20px;">  <p>Flat head Screwdriver or</p>  <p>Box wrench (5/16")</p> </div>  <p>⑥Base Junction Support</p>

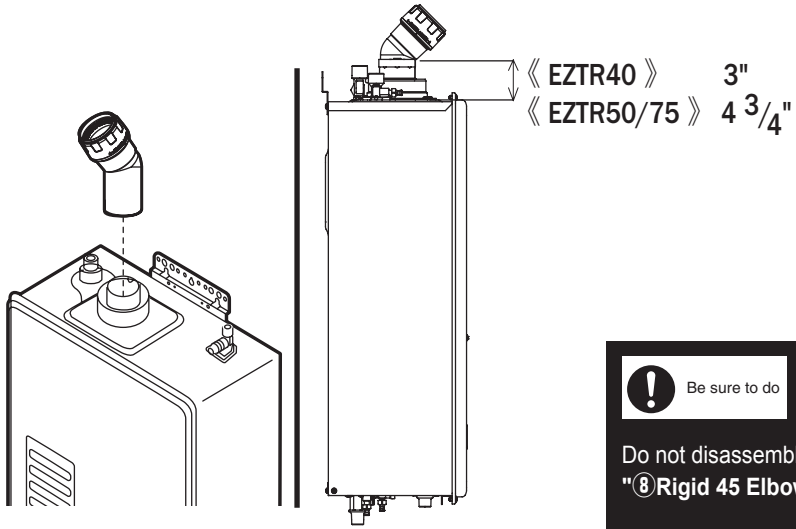
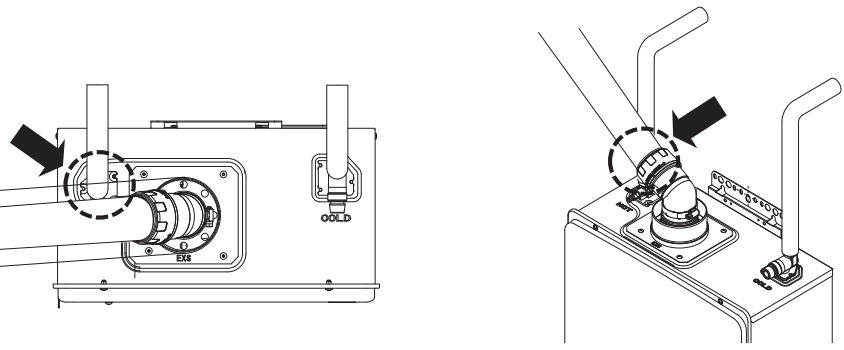

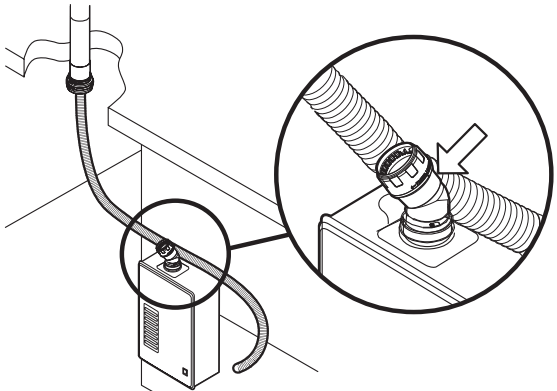

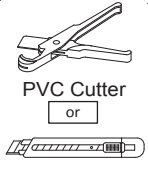
Step	Installation Procedure(ex. @Garage)	Necessary Tool
Step-1 (Work where equipment is installed)	<p>6 Push the "⑫Flex Feeder" into the tip of the "③Flex Pipe 2".</p>  <div style="border: 1px solid black; background-color: #f0f0f0; padding: 5px; margin-top: 10px;"> <p>! Be sure to do Install the "⑫Flex Feeder" always, even in the case of straight B-Vent runs. ("⑫Flex Feeder" prevents debris from falling into the "③Flex Pipe 2".)</p> </div>	 <p>③Flex Pipe 2"</p>  <p>⑫Flex Feeder</p>
	<p>7 Insert the "③Flex Pipe 2" into the "⑥Base Junction Support" until you touch the inside of the rain cap on the roof. With the "③Flex Pipe 2" fully inserted into the vent, make a mark at the "⑥Base Junction Support" so you can check for movement during the rest of installation.</p>  <div style="border: 1px solid black; padding: 5px; margin-top: 10px;"> <p>[Point] Before inserting, try to straighten curl of the tip of "③Flex Pipe 2" as much as possible. However, when doing so, bending radius should be more than 7 inch.</p>  </div> <div style="border: 1px solid black; padding: 5px; margin-top: 10px;"> <p>[Point] Continue to push "③Flex Pipe 2" strongly until the end and make sure that it does not stop in the middle.</p> </div> <div style="border: 1px solid black; background-color: #f0f0f0; padding: 5px; margin-top: 10px;"> <p>⊘ Prohibited Do not use the "③Flex Pipe 2" at any jobsite with vent runs longer than 35'. do not join two shorter flex pipes together even if the run is less than 35'.</p> </div> <div style="border: 1px solid black; background-color: #f0f0f0; padding: 5px; margin-top: 10px;"> <p>! Be sure to do When pushing "③Flex Pipe 2" through the B-Vent, if there is unusual feeling (touching the bump of screw, etc.), do not continue to push in and stop the installation.</p> </div>	 <p>Marker</p>

Step	Installation Procedure(ex. @Garage)	Necessary Tool
Step-1 (Work where equipment is installed)	8 Take extra care to ensure that the "③Flex Pipe 2"" does not slip by checking the mark you made on the "③Flex Pipe 2"". Firmly tighten "③Flex Pipe 2"" with "⑥C. Flex Pipe Clamp", but be careful not to over tighten as it may distort the "③Flex Pipe 2"". Check to see if it is firmly secured by pulling it by hand. ※The tightening torque should be between 7 and 10 in lb.. 	
Step-2 (Work on rooftop)	※ The assembly image figure for all parts in below Step 2 (Procedure 9 ~ 14) Use this Image to check for correct assembly of the components. 	
	9 Grab Bag Labeled "Step-2" and necessary tools for this step of the installation. Climb up on the roof and access the Rain Cap.  <div data-bbox="235 1858 1226 1963" style="border: 1px solid black; padding: 5px;"> <p>[Point] When climbing up on the roof, use appropriate fall protection to guard against falls. Make sure that safety comes first at your own risk.</p> </div>	Ladder Wet Towel 

Step	Installation Procedure(ex. @Garage)	Necessary Tool
10	<p>Take off the existing rain cap and place it on the area where it does not fall from the rooftop. ※Make sure the inside surfaces of the "④B-Vent" are clean to ensure a good seal of the parts in this step.</p> 	Wet Towel
11	<p>Use a marker to mark the original position of the "③Flex Pipe 2'", at "④B-Vent"'s upper tip.</p>  <div data-bbox="240 968 1239 1062" style="background-color: black; color: white; padding: 5px;"> <p>! Be sure to do Mark is very important for the function. Do not skip this step. (Necessary for the next step.)</p> </div>	 Marker
12	<p>Slide-in the "②Top Flex Support" to the "③Flex Pipe 2'".</p>  <div data-bbox="240 1787 1239 1881" style="background-color: black; color: white; padding: 5px;"> <p>! Be sure to do Verify that you can see the mark you made at the top end of the "②Top Flex Support" in the previous step.</p> </div> <div data-bbox="240 1892 1239 1976" style="background-color: black; color: white; padding: 5px;"> <p>! Be sure to do Inert the "②Top Flex Support"'s slit straight into the Flex Pipe groove.</p> </div>	 ②Top Flex support

Step	Installation Procedure(ex. @Garage)	Necessary Tool
Step-2 (Work on rooftop)	<p>13 Use a marker to mark the cutting position.</p>  <p>Mark 3 ribs</p> <p>※All cuts must be made at right angle to the pipe. All field cuts must be deburred. ※Take precaution not to drop debris into "③Flex Pipe 2"". In case debris is dropped, remove from the lower end of the "③Flex Pipe 2"".</p>	 <p>PVC Cutter or Box Cutter</p>
	<p>14 Attach "①Universal Rain Cap"</p>  <p>More than 1/2"</p> <p>! Be sure to do Completely Insert "①Universal Rain Cap" into the "③Flex Pipe 2"", "①Universal Rain Cap" overlap "④B-Vent" by 1/2".</p>	 <p>①Universal Rain Cap</p>

Step	Installation Procedure(ex. @Garage)	Necessary Tool														
Step-3 (Work where equipment is installed)	<p>15 Grab Bag Labeled "Step-3" and necessary tools for this step of the installation. Mount the water heater at the appropriate height according to the chart below, connect the gas, cold and hot water lines, and drain pipes. Follow the equipment's installation manual on how to set the equipment's clearance from combustibles.</p> <p>※The location(height) where equipment can be installed varies by horizontal distance (L) shown below. Follow the below chart and install accordingly.</p> <p>■Equipment installation upper limit height chart by horizontal distance</p> <table border="1" data-bbox="344 373 1247 436"> <tr> <td>Horizontal distance (L)</td> <td>0'</td> <td>~1'</td> <td>~2'</td> <td>~3'</td> <td>~4'</td> <td>~5'</td> </tr> <tr> <td>More than height(H)</td> <td>2'</td> <td>2'</td> <td>2'</td> <td>2.6'</td> <td>3'</td> <td>3'</td> </tr> </table> <div data-bbox="344 478 1256 919"> </div> <div data-bbox="263 949 1263 1054" style="border: 1px solid black; padding: 5px;"> <p>[Point] <u>Before you start the plumbing, imagine where the "③ Flex Pipe 2'" will be ran and account for any clearance needed.</u></p> </div> <div data-bbox="263 1062 1263 1192" style="border: 1px solid black; padding: 5px;"> <p>[Point] <u>Always follow the above chart and determine the equipment's installation location (height).</u> →If it is not followed, there will be nonconformance such as large tension to the final connecting area of the vent pipe and/or can't connect.</p> </div>	Horizontal distance (L)	0'	~1'	~2'	~3'	~4'	~5'	More than height(H)	2'	2'	2'	2.6'	3'	3'	<div data-bbox="1351 235 1474 352"> </div> <p data-bbox="1321 361 1497 394">Tape measure</p> <div data-bbox="1367 432 1458 575"> </div>
Horizontal distance (L)	0'	~1'	~2'	~3'	~4'	~5'										
More than height(H)	2'	2'	2'	2.6'	3'	3'										

Step	Installation Procedure(ex. @Garage)	Necessary Tool
Step-3 (Work where equipment is installed)	<p>16 Insert "⑧Rigid 45 Elbow Set" to the equipment's vent connector pipe. When inserting "⑧Rigid 45 Elbow Set", there is tension when it passes through the o-ring within the equipment's vent connector pipe. Continue to insert "⑧Rigid 45 Elbow Set" until it is firmly seated all the way into the base of the vent connector pipe.</p>  <p> 《 EZTR40 》 3" 《 EZTR50/75 》 4 3/4" </p> <div style="border: 1px solid black; padding: 5px; background-color: #333; color: white; margin-top: 10px;"> <p>! Be sure to do</p> <p>Do not disassemble "⑧Rigid 45 Elbow Set" to use.</p> </div> <p>[Point] If it interferes with water and hot water piping, adjust "⑧Rigid 45 Elbow Set"'s angle so that it does not interfere. If the contact is unavoidable, take measures such as inserting heat insulator so that it does not have direct contact.</p> 	 <p>⑧Rigid 45 Elbow Set</p>
	<p>17 Follow the next [Point] and cut the "③Flex Pipe 2'" into appropriate length.</p>  <div style="border: 1px solid black; padding: 5px; background-color: #333; color: white; margin-top: 10px;"> <p>! Be sure to do</p> <p>At this step, be very careful when cutting the "③Flex pipe 2'". If it is cut too short, you must dispose of the vent or use it on another installation where a shorter length is required. These vent pieces cannot be lengthened.</p> </div>	 <p>Marker</p> <div style="border: 1px dashed black; padding: 5px; margin-top: 10px;">  <p>PVC Cutter or Box Cutter</p> </div>

Step

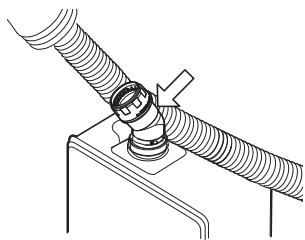
Installation Procedure(ex. @Garage)

Necessary Tool

Step-3
(Work where equipment is installed)

[Point]

When performing the final cut, make the first cut of the "③Flex Pipe 2'" longer to avoid cutting the "③Flex Pipe 2'" too short. It is easy to determine the length by following the [Point] below and matching the dimension using the below figure.



[Point]

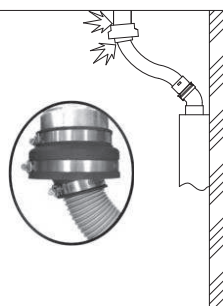
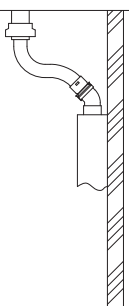
When determining the cut length, take note on the 2 points listed below.

[Point①]

Determine the proper length not giving too much tension to both "⑥Base Junction Support" and "⑧Rigid 45 Elbow Set".

[Correct installation]

[Incorrect installation]



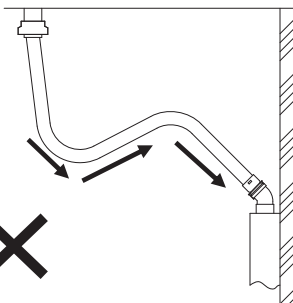
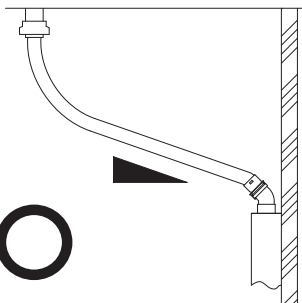
When the vent pipe is too short, there will be tension to those parts.

[Point②]

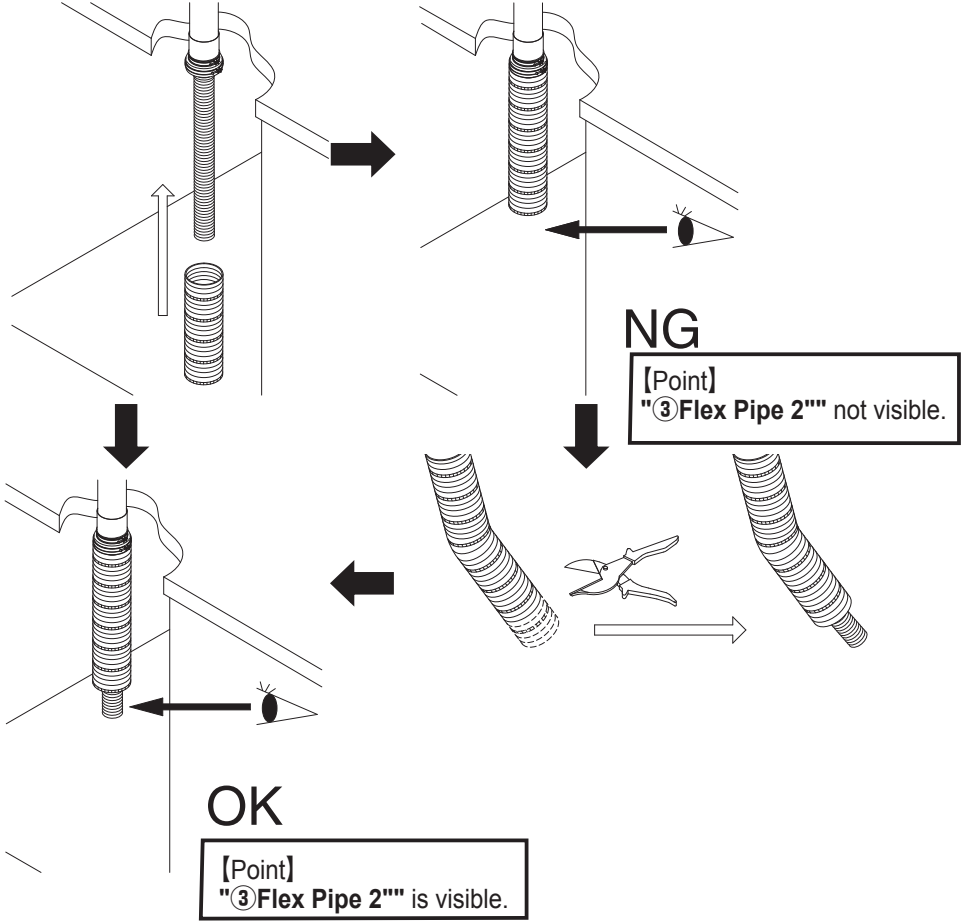

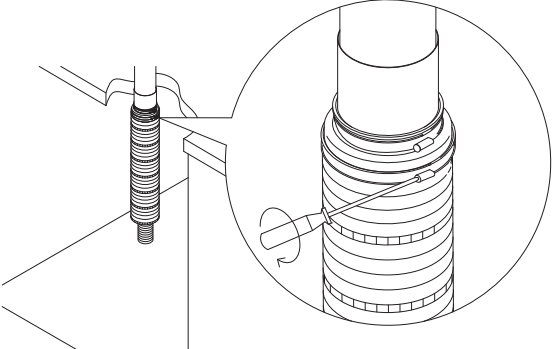
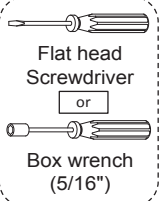
Be careful not make trap configuration of "③Flex pipe 2'".

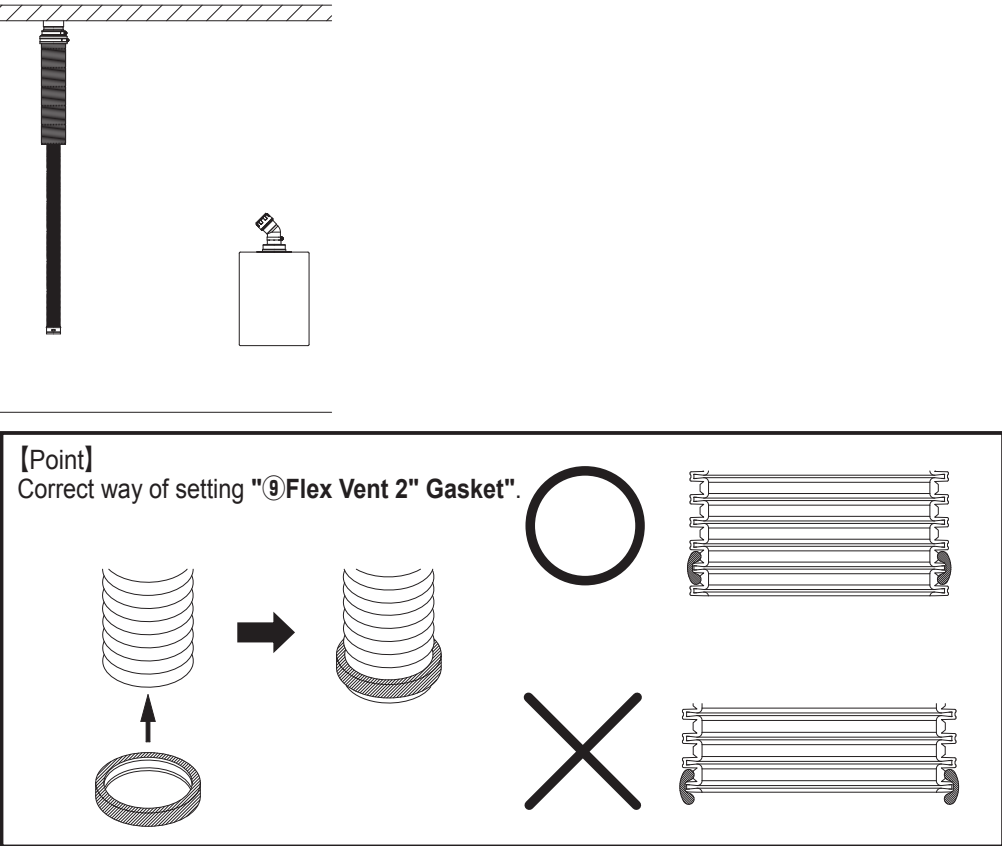

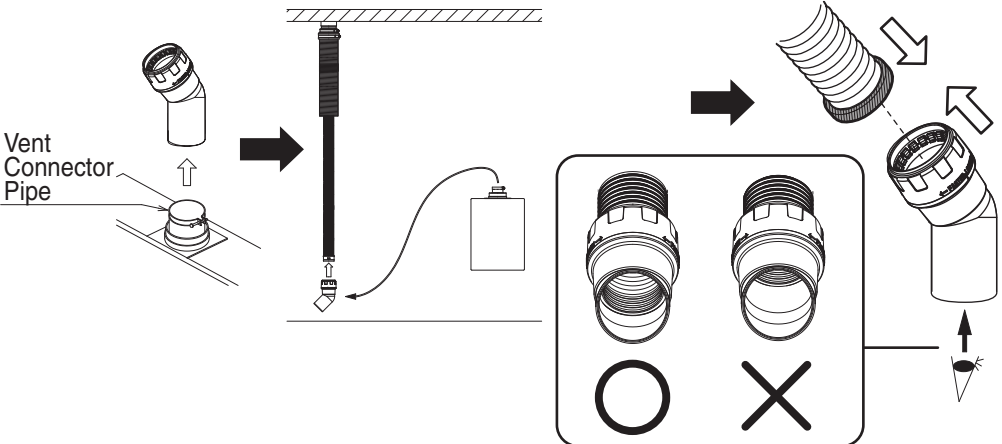

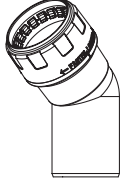
[Correct installation]

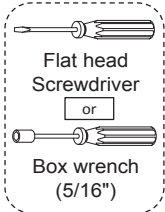
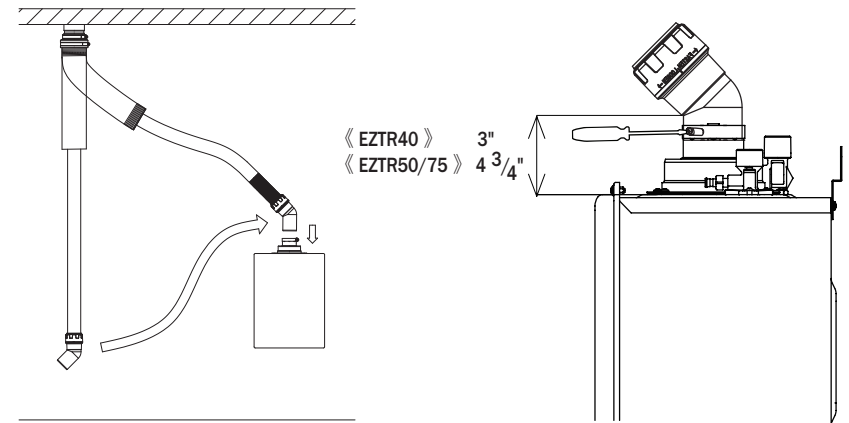
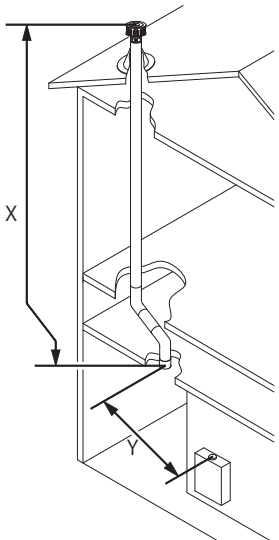
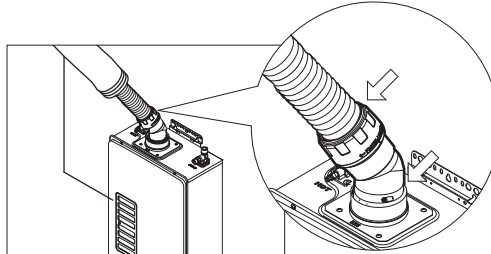
[Incorrect installation]

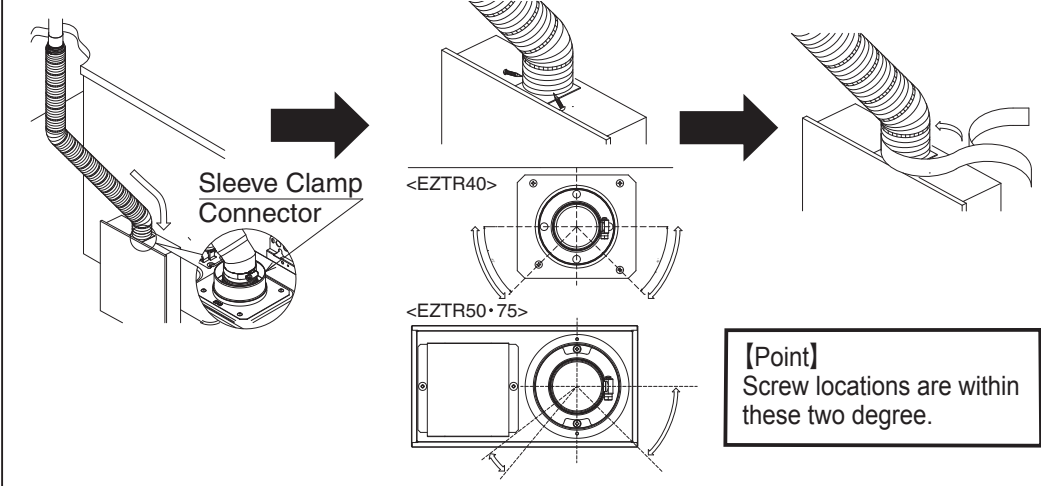
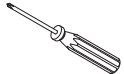

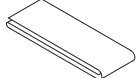


In trap installation, moisture is trapped inside the vent pipe and the exhaust can't be vented.

Step	Installation Procedure(ex. @Garage)	Necessary Tool
Step-3 (Work where equipment is installed)	<p>18 Pull "⑦Flex Sleeve" over "③Flex Pipe 2"" under the ceiling. Then, push into the bottom of "⑥Base Junction Support". And check that "③Flex Pipe 2"" is sticking out from "⑦Flex Sleeve". (If it is not sticking out, cut "⑦Flex Sleeve" until "③Flex Pipe 2"" sticks out.)</p>  <p>NG [Point] "③Flex Pipe 2"" not visible.</p> <p>OK [Point] "③Flex Pipe 2"" is visible.</p> <p>※ Do not extend the "⑦Flex Sleeve" if it needs to be cut, it should be cut while in its compressed state.</p> <p>⚠ WARNING</p> <p>Pay attention not to get injured from the sharp edge of "⑦Flex Sleeve".</p>	 <p>⑦Flex Sleeve</p>
	<p>19 Firmly tighten "⑥B. Flex Sleeve Clamp" of "⑥Base Junction Support", but be careful not to tighten too much as it may distort the "⑦Flex Sleeve" and rubber. Check to see if it is firmly fixed by pulling it by hand.</p> <p>※The tightening torque shall be between 7 and 10 in lb.</p> 	 <p>Flat head Screwdriver or Box wrench (5/16")</p>

Step	Installation Procedure(ex. @Garage)	Necessary Tool
Step-3 (Work where equipment is installed)	<p>20 See below chart and set "⑨Flex Vent 2" Gasket" onto the tip of "③Flex Pipe 2"".</p> 	 <p>⑨Flex Vent 2" Gasket</p>
	<p>21 Pull out "⑧Rigid 45 Elbow Set", which are tentatively locked to the equipment's vent connector pipe. Insert the "③Flex Pipe 2"" from the previous procedure into the "⑧Rigid 45 Elbow Set".</p>  <div style="border: 1px solid black; padding: 5px; margin-top: 10px;">  <p>Be sure to do Make sure the "③Flex Pipe 2"" is fully secure by checking the bottom(reverse side) of the "⑧Rigid 45 Elbow Set" when you are finished.</p> </div>	 <p>⑧Rigid 45 Elbow Set</p>

Step	Installation Procedure(ex. @Garage)	Necessary Tool
Step-3 (Work where equipment is installed)	<p>22 Attach "⑧Rigid 45 Elbow Set" assembly back onto the unit and secure. When inserting "⑧Rigid 45 Elbow Set", there is tension when it passes through the o-ring within the equipment's vent connector pipe. Continue to insert "⑧Rigid 45 Elbow Set" until it reaches the all the way to the base of the equipment vent connector pipe. Check to see if it is firmly fixed by pulling it by hand. ※ The tightening torque shall be between 7 and 10 in lb.</p>	
		
	<p>23 Refer to the calculated total vent length, using the measured length in step-1, procedure No.3 in addition to the distance from the water heater. ※ Calculate the total vent length to determine the dip switch setting.</p>	
	<p><u>Vent length = X "total length of B-Vent (measured in procedure No.3)" + Y "the distance from the water heater"</u></p> 	
	<p>24 Depending on the vent length, set the equipment (Dip switch setting). ※ Follow the equipment's installation manual on how to set the equipment's vent length.</p>	
	<p>25 Test run the water heater and check for any kind exhaust gas leaks in below areas. If there are no leaks of any kind, continue to the next step.</p>  <div data-bbox="787 1690 1250 1911" style="border: 1px solid black; padding: 5px;"> <p>⚠ WARNING</p> <p>CARBON MONOXIDE POISONING Failure to properly seal the vent system could cause flue products to enter the living space</p> </div>	

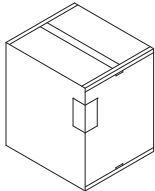
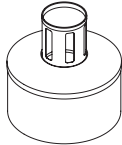
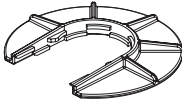
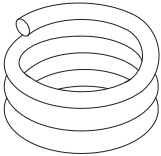
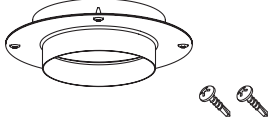

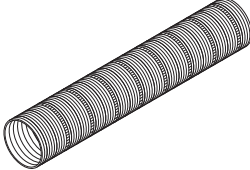
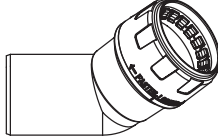
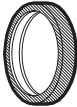
Step	Installation Procedure(ex. @Garage)	Necessary Tool
Step-3 (Work where equipment is installed)	<p>26 Extend the lower end of "⑦Flex Sleeve" to the sleeve clamp connector of the upper portion of equipment. Then secure with "2×⑩Fastening Screws", and apply "⑪Aluminum tape" covering the connecting part. Make sure that it is firmly fixed by pulling by hand.</p> <p>※Do not stretch the "⑦Flex Sleeve" where the screws are secured, it will weaken the point where the screws are attached to the "⑦Flex Sleeve".</p>  <p>WARNING</p> <p>Pay attention not to get injured from the sharp edge of "⑦Flex Sleeve"</p> <p>[Point] Check and see if "⑦Flex Sleeve" is firmly fixed.</p>	 <p>Phillips head Screwdriver</p>  <p>⑩Fastening Screws</p>  <p>⑪Aluminum tape</p>

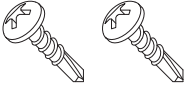
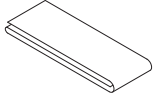

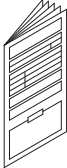

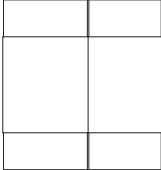
7.Maintenance

Periodically check the following to ensure proper operation of the water heater.

- The venting system must be examined periodically by a qualified service technician to check for any leaks or corrosion.
- Check and confirm that there is no tension to the flexible vent by hanging or suspending of anything.
- When changing the water heater, change whole venting components to new ones.

8. Parts Lists

No.	Parts name	Shape	Part#
	Flex Vent 2" Kit 25 Feet		EZ2FVK-1
①	Universal Rain Cap - LE		EZ2FVK-URC-1
②	Top Flex Support for EZ2FVK		EZ2FVK-TFS
③	25 Feet - Flex Pipe 2" - LE		EZ2FVP25-1
⑤	Base Junction Adapter Set		EZ2FVBJADS-1
⑥	Base Junction Support (w/o hole)		EZ2FVBJS-1
⑦	Flex Vent 2" Sleeve		EZ2FVS
⑧	Flex Vent 2" Rigid 45 Elbow Set - LE		EZ2FVR45ELB-1
⑨	Flex Vent 2" Gasket for EZ2FVK-1		EZ2FVK-1-G

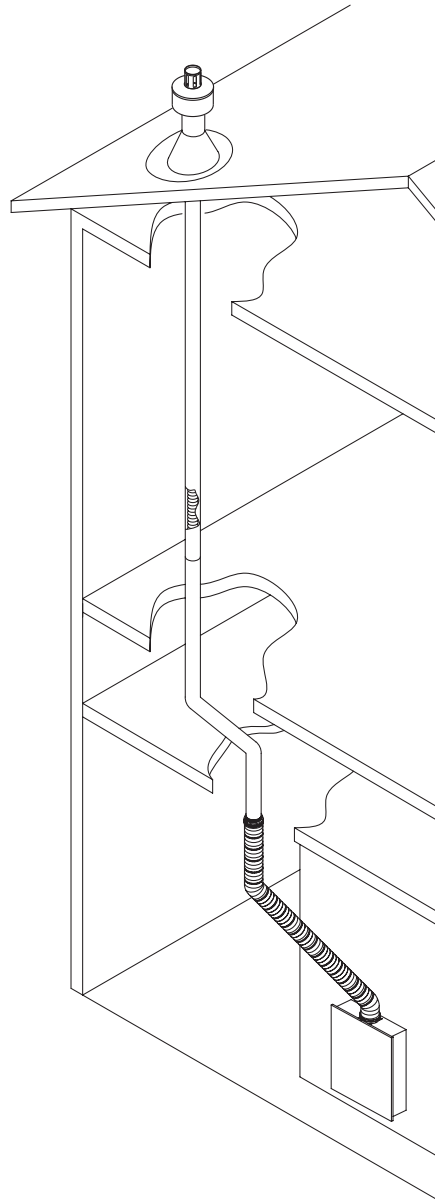
No.	Parts name	Shape	Part#
⑩	Flex Vent 2" Fastening Screws		N/A
⑪	Aluminum tape		N/A
⑫	Flex Feeder - LE		EZ2FVF-1
	Flex Vent 2" Kit 25 Feet Installation Manual (This document)		EZ2FVK-1-LT
	EZTR 25 Feet Start Up Guide		EZ2FVK-1-SUG
	Packing Box for Flex Vent 2" Kit 25 Feet		EZ2FVK-1-BOX

* "No." indicated on this page corresponds to the number on the applicable component on page 8.



EZTR 25 Feet START-UP GUIDE

VENT KIT FOR TANKLESS WATER HEATER



EZ2FVK-1-SUG
Rev. 01/17

1-866-766-7489
WWW.NORITZ.COM



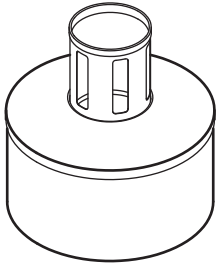
SCAN FOR
INSTALLATION VIDEO

SBB80TY

PRE-INSTALLATION

PLANNING INSTALLATION

Compare all parts with the Package Contents list. If any part appears missing or damaged, do not install this kit. Contact Customer Service immediately at 1-866-766-7489.



Universal Rain Cap

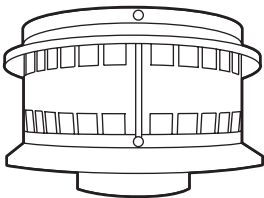
This is the default, universal rain cap that can be used to replace the former rain cap at the installation site. It enables you to easily cut the flex pipe and install without having to take into consideration the varying rain caps and their different fittings and sizes.

PAUSE FOR A MOMENT

Verify if the installation of a rain cap of different appearance will conflict with Home Owners Associations rules to prevent future issues.

If OK, proceed with installation.

If NOT, contact customer service at 1-866-766-7489 to purchase optional installation kit for the existing Rain Cap.



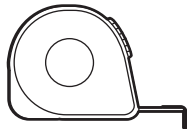
Brand Name Rain Cap

Sometimes you may run into scenarios when Home Owners Associations have rules preventing rain caps that vary in appearance. If this is the case, contact customer service at 1-866-766-7489 to purchase optional installation kit for the existing Rain Cap.

TOOLS REQUIRED



Marker



Tape Measure



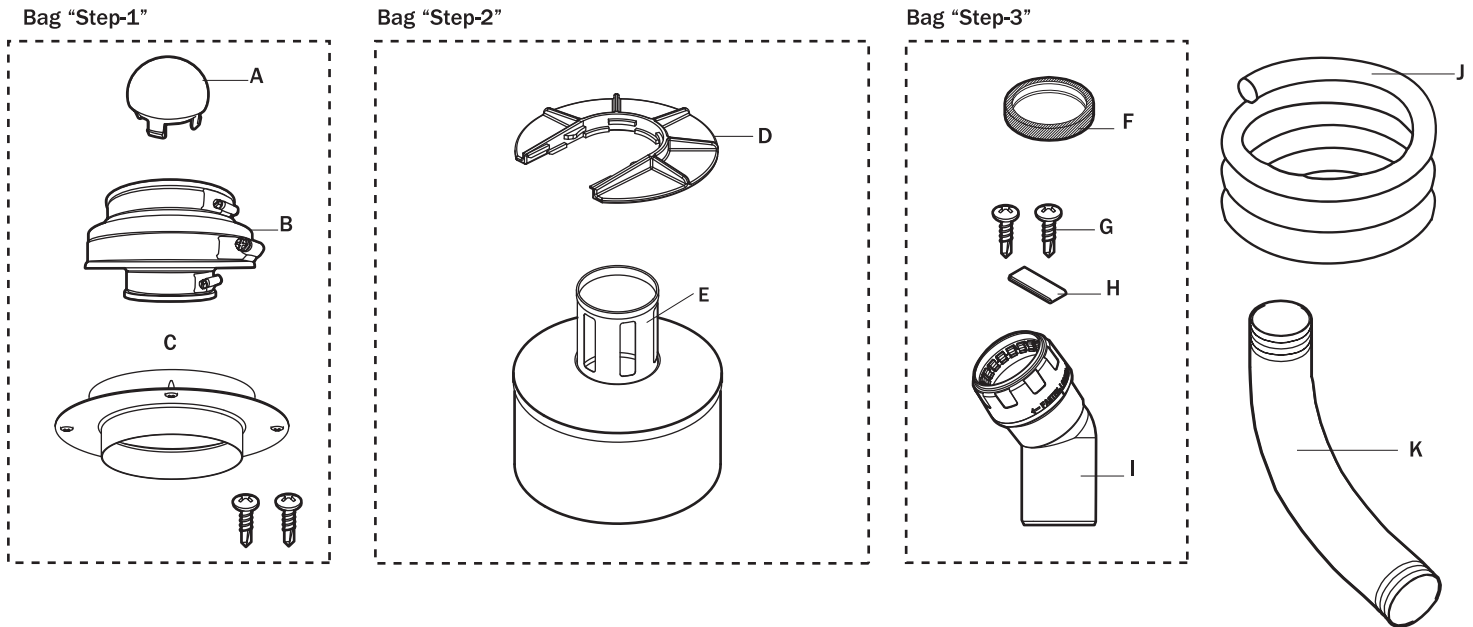
Flathead Screwdriver



2 Inch PVC Cutter Box Cutter

PRE-INSTALLATION

PACKAGE CONTENTS



Part	Description	Quantity
A	Flex feeder	1
B	Base junction support	1
C	Base junction adapter set	1
D	Top flex support	1
E	Universal rain cap	1
F	Flex vent 2" gasket	1

Part	Description	Quantity
G	Fastening screws	2
H	Aluminum tape	1
I	Rigid 45° elbow set	1
J	Flex pipe 2"	1
K	Flex sleeve	1



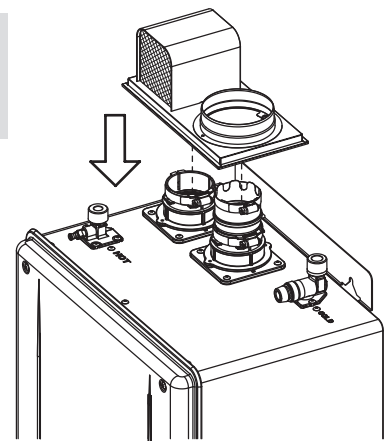
Be sure to do

Only use the parts provided in the package for construction. Using parts other than the ones provided may cause the product to be assembled incorrectly.

For **[EZTR50] EZ98DV (GQ-C2859WX-FF US)**
[EZTR75] EZ111DV (GQ-C3259WX-FF US)

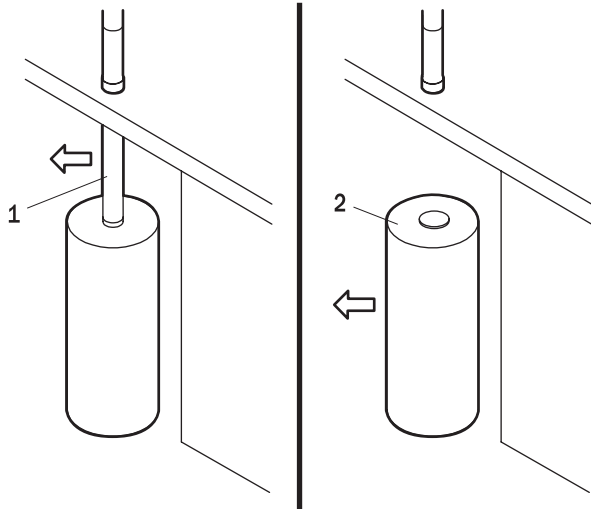
Follow the instruction in the Flex Vent 2" Conversion Kit Installation Manual to install the Flex Vent 2" Conversion Kit.

Note : This manual illustrates installation for the NRC663-FSV. Installation for other models may vary slightly.

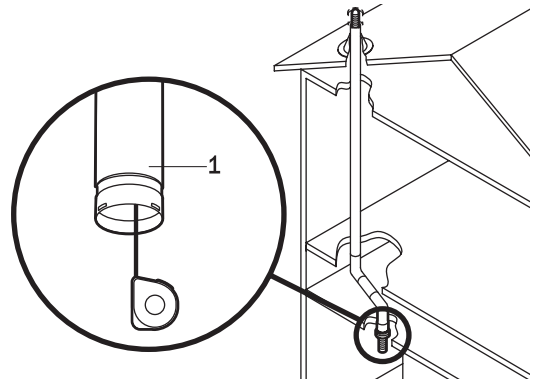


INSTALLATION

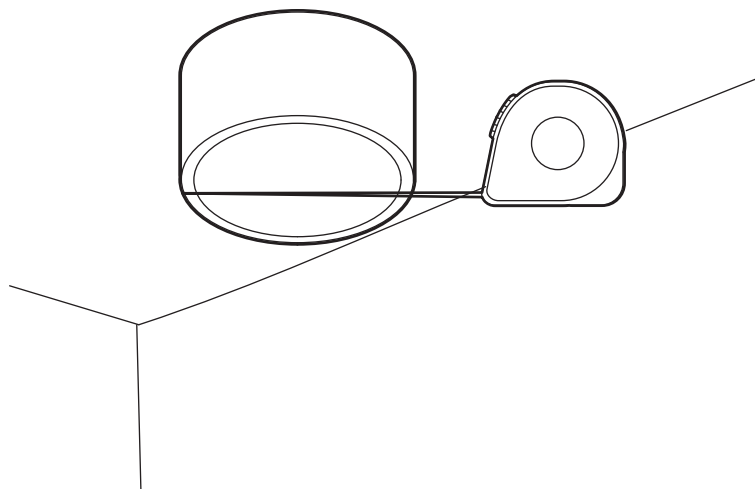
1 Remove the B-vent from the ceiling down and the tank.



2 Measure the vent length from the bottom of the B-Vent to the roof termination.



3 Determine the size of your venting.
Is it 3" or 4"?



INSTALLATION (CONTINUED)

4 Install the base junction support based on the 3" or 4" venting structure.



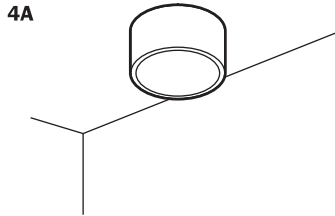
Be sure to do

If the strength of the ceiling is not sufficient (i.e. plasterboard), take appropriate measures to ensure safe installation.

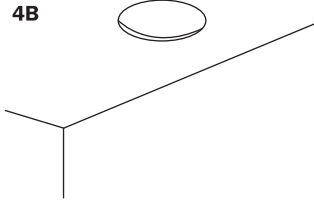
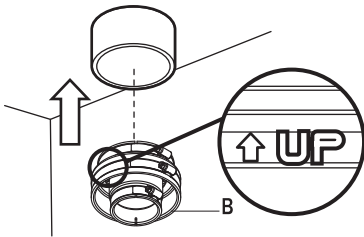
3" B-vent Termination

OR

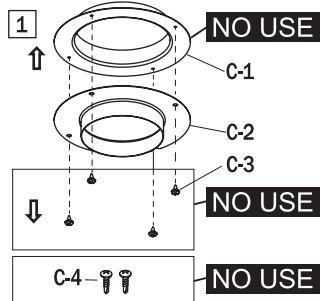
4" B-vent Termination



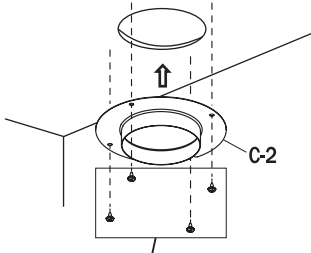
1 Install the base junction support onto the B-vent.



If no B-vent is protruding, install the base junction adapter.

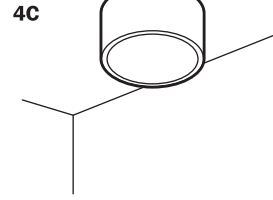
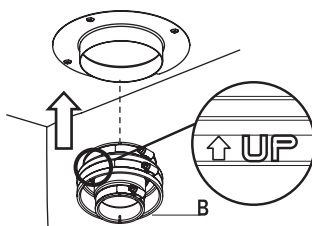


2 Screw the base junction adapter into place.



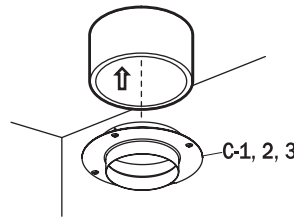
Use appropriate screws for the ceiling. (must be field supplied.)

3 Install the base junction support onto the base junction adapter.

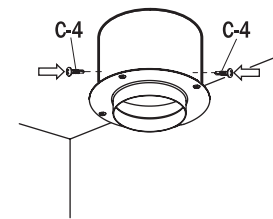


If B-vent is protruding, install the base junction adapter.

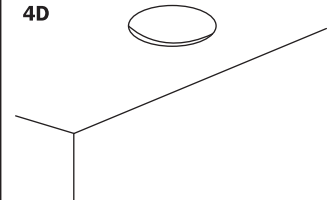
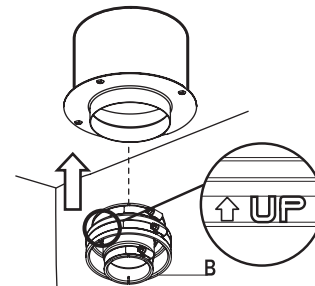
1 Insert base junction adapter into B-vent



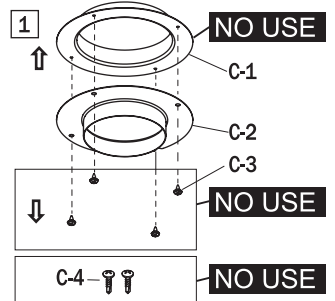
2 Screw the base junction adapter into place.



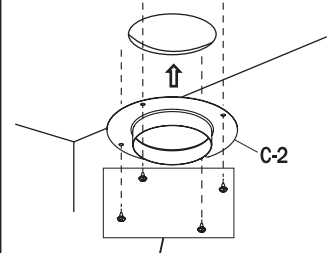
3 Install the base junction support onto the base junction adapter.



If no B-vent is protruding, install the base junction adapter.

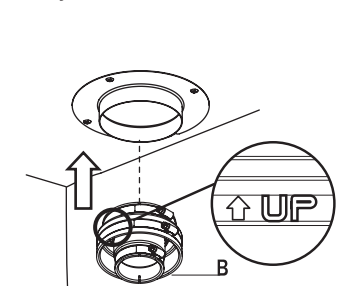


2 Screw the base junction adapter into place.



Use appropriate screws for the ceiling. (must be field supplied.)

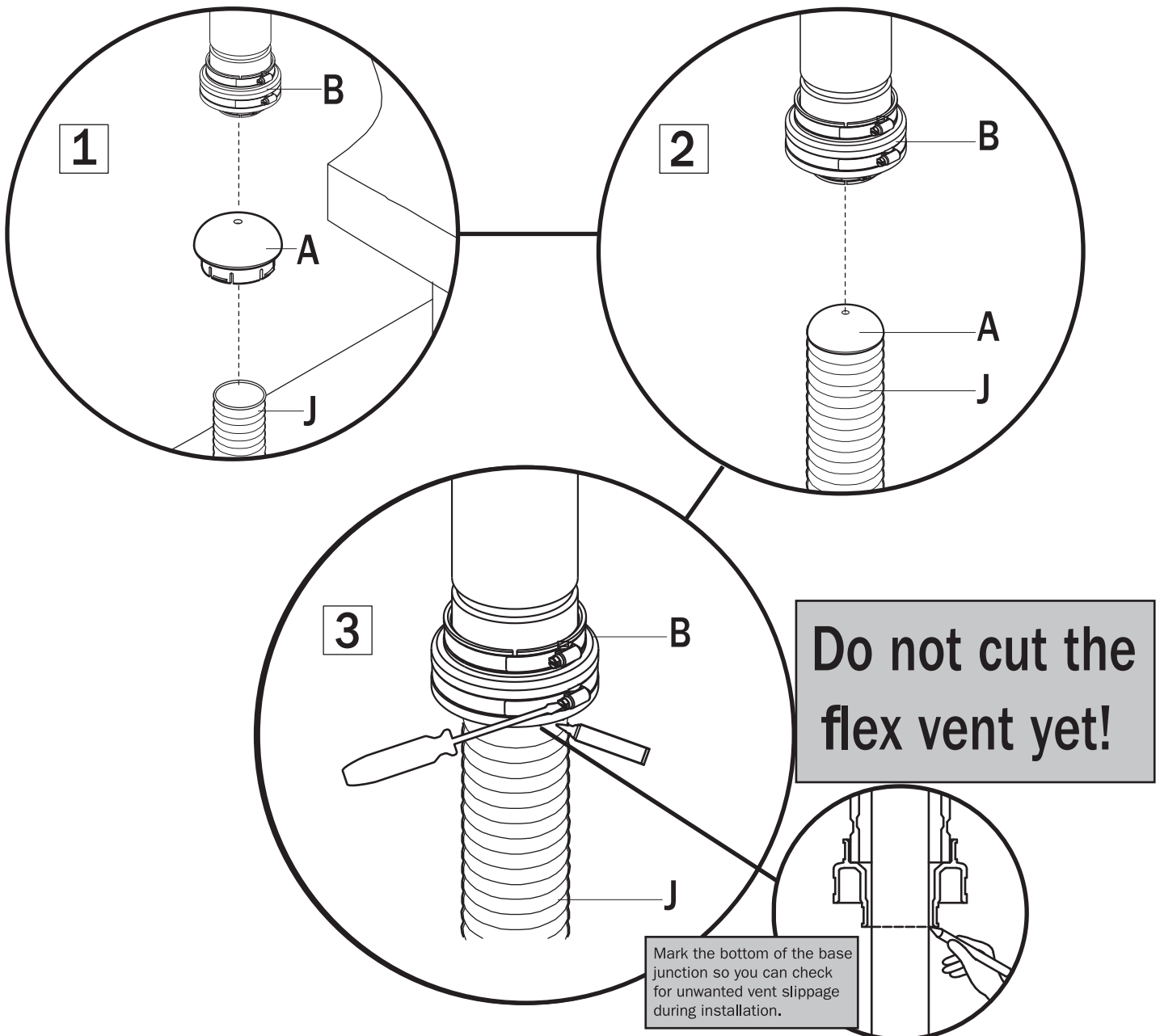
3 Install the base junction support onto the base junction adapter.



INSTALLATION (CONTINUED)

5 Install the flex pipe 2" into the B-vent.

- Attach the flex feeder **1** and feed flex pipe 2" through the B-vent to the rain cap **2**. Mark and tighten **3**.



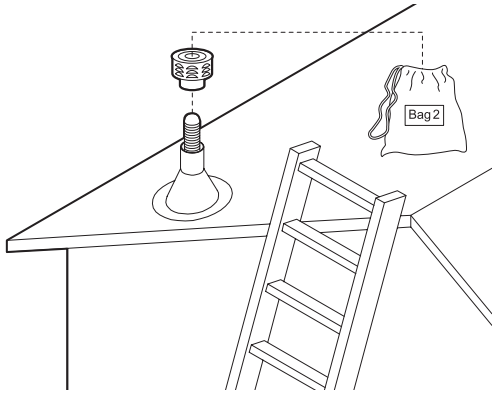
INSTALLATION (CONTINUED)

6 Remove the rain cap.

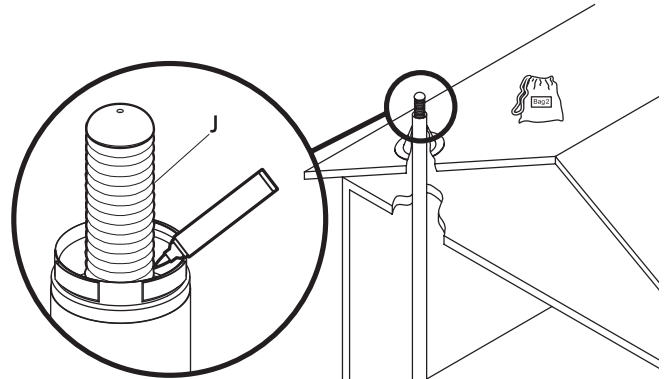
WARNING

Use extreme caution when working on rooftops.

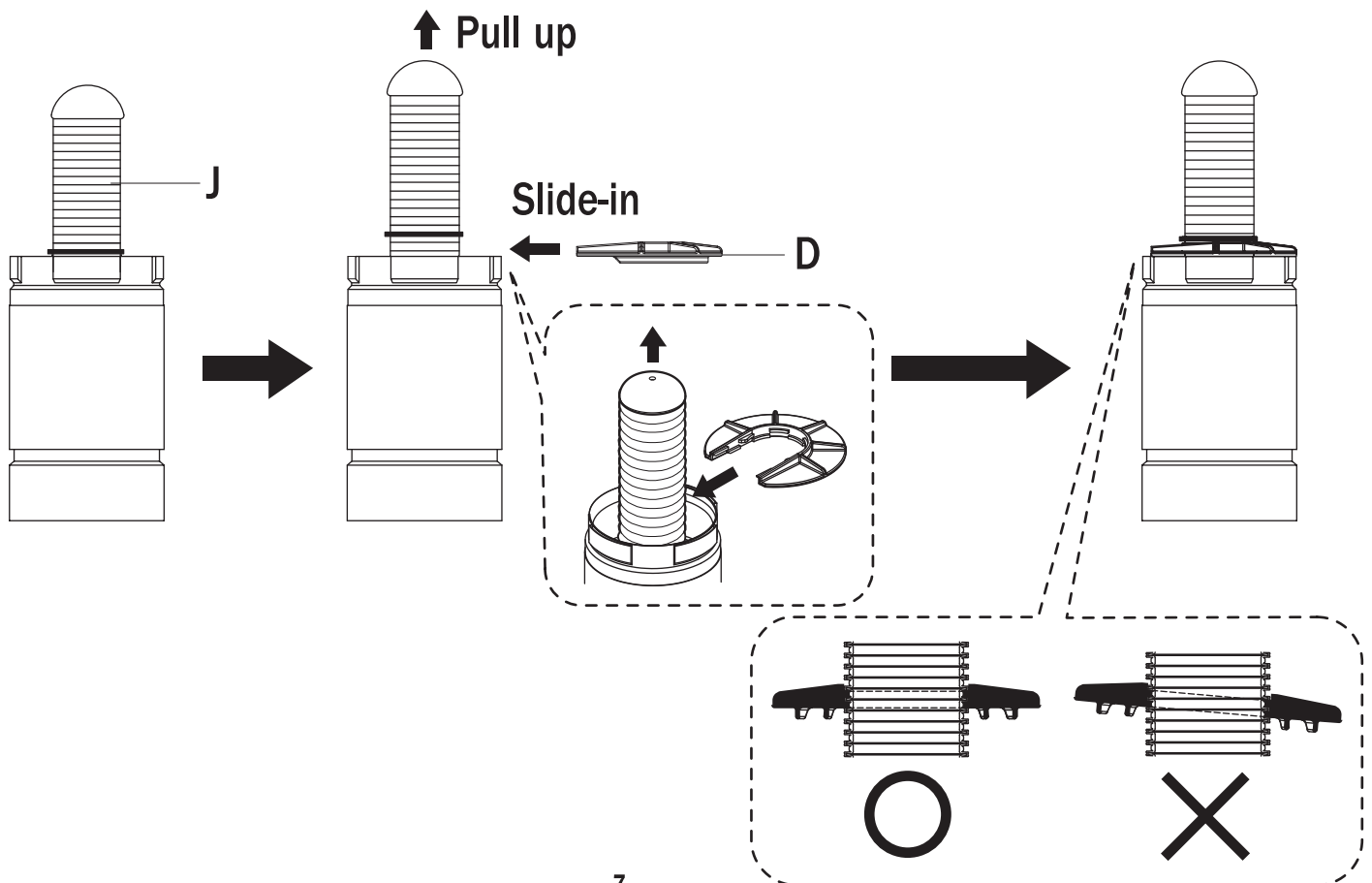
- Climb up to the roof, remove the rain cap and place it in parts bag Step-2, ensuring it will not fall off. Clean any debris from the inside of the B-vent.



7 Mark the position of the flex pipe 2”.

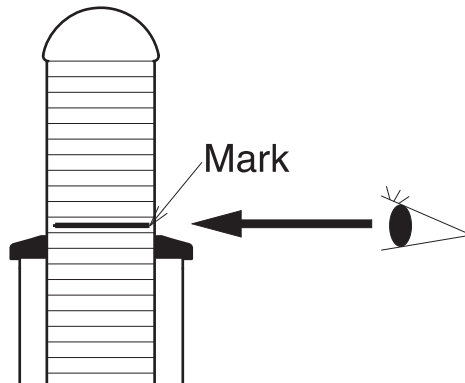


8 Slide-in the top flex support to the flex pipe 2”.



INSTALLATION (CONTINUED)

- 9** Check and make sure the mark is still visible after sliding the flex support over the flex pipe 2”.



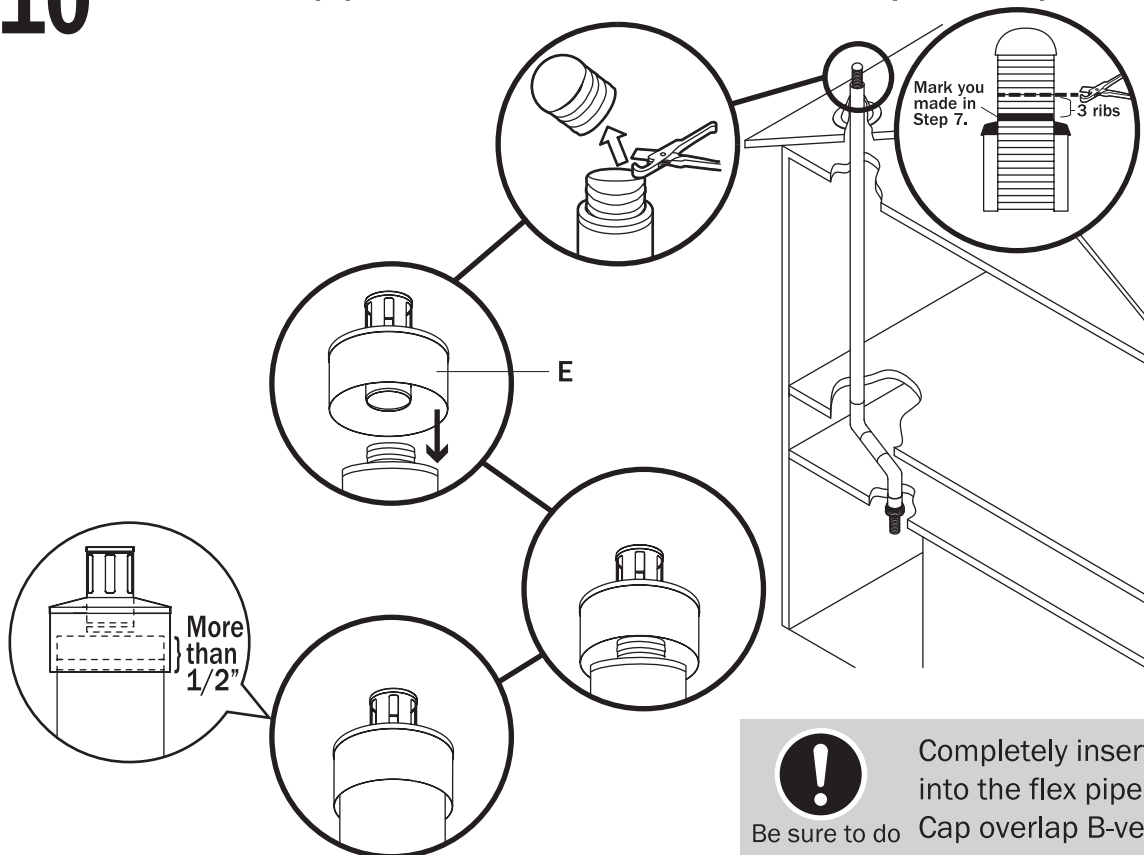
PAUSE FOR A MOMENT

Verify if the installation of a rain cap of different appearance will conflict with Home Owners Association rules to prevent future issues.

If OK, proceed with step 10.

If NOT, contact customer service at 1-866-766-7489 to purchase the optional installation kit for the existing Rain Cap.

- 10** Cut the flex pipe 2”. Insert the universal rain cap until top flex support is covered.

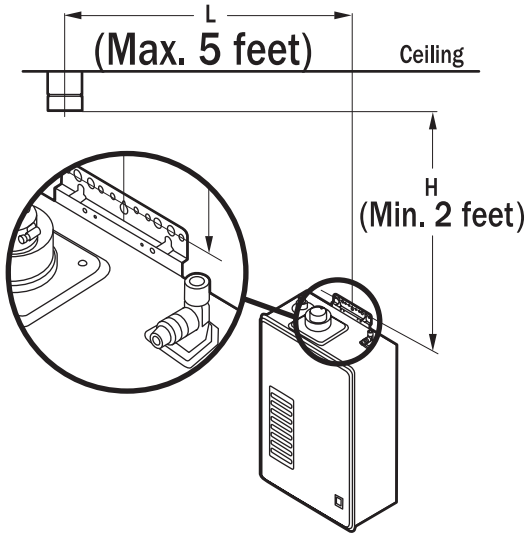


Be sure to do

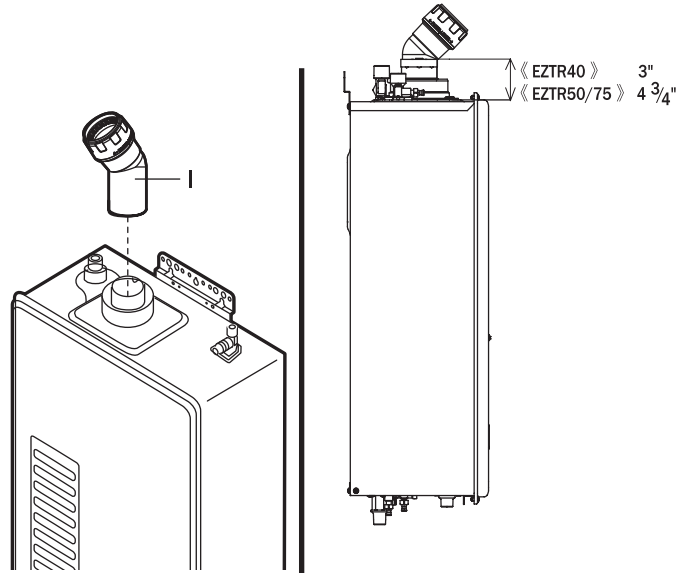
Completely insert Universal Rain Cap into the flex pipe 2”, Universal Rain Cap overlap B-vent by 1/2”.

INSTALLATION (CONTINUED)

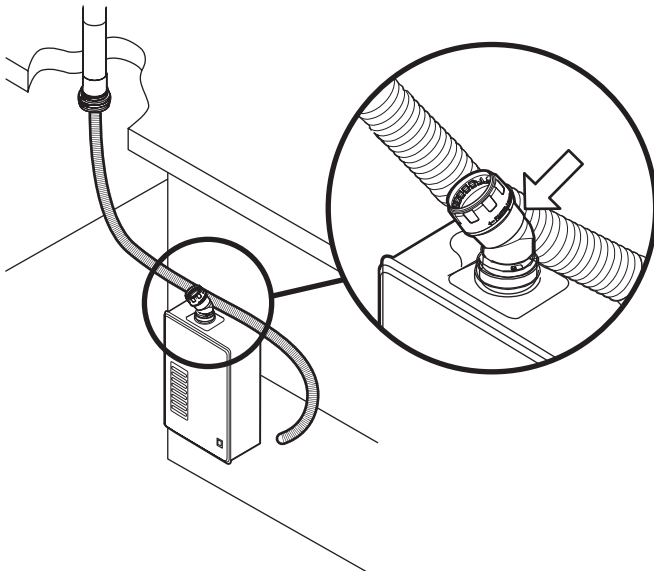
11 Install the water heater according to the Unit's Installation Manual.



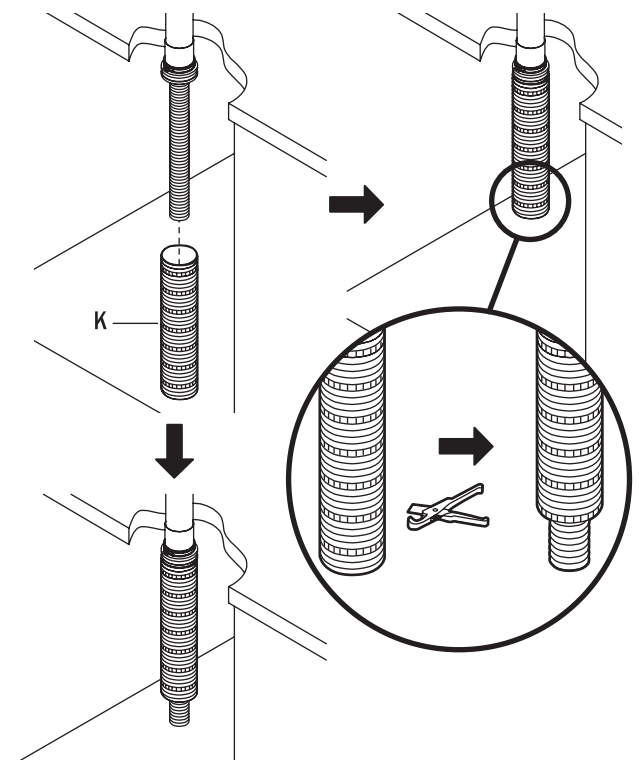
12 Attach the Rigid 45 Elbow Set to the connector pipe until fully seated.



13 Cut the flex pipe 2" to the appropriate length (longer length better than shorter). **Flex pipe 2" cannot be lengthened after this point!**

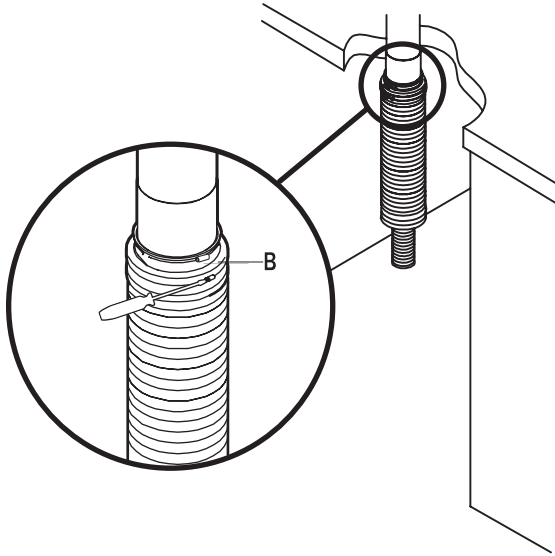


14 Install flex sleeve, cut if necessary. Remove flex sleeve if cutting is required.

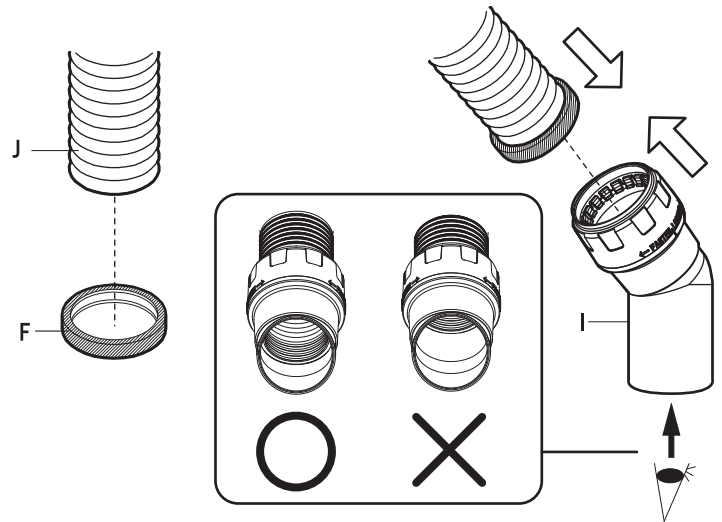


INSTALLATION (CONTINUED)

- 15** Tighten base junction support to secure the flex sleeve.



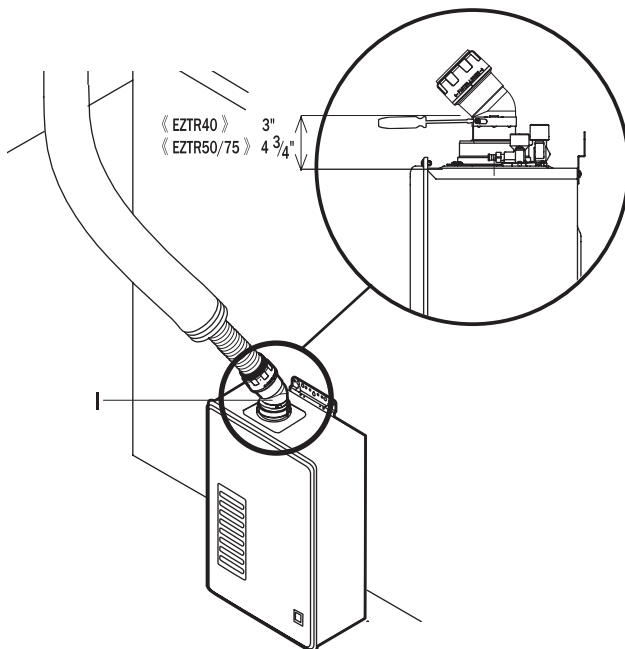
- 16** Remove the rigid 45 elbow set from the top of the Heater and insert the flex pipe 2" (with the O-ring) into rigid 45 elbow set.



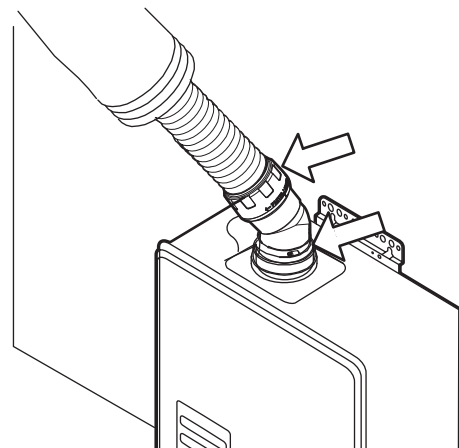
Be sure to do

Make sure the flex pipe 2" is fully secure by checking the bottom (reverse side) of the rigid 45 elbow set when you are finished.

- 17** Re-connect the rigid 45 elbow set to the heater.

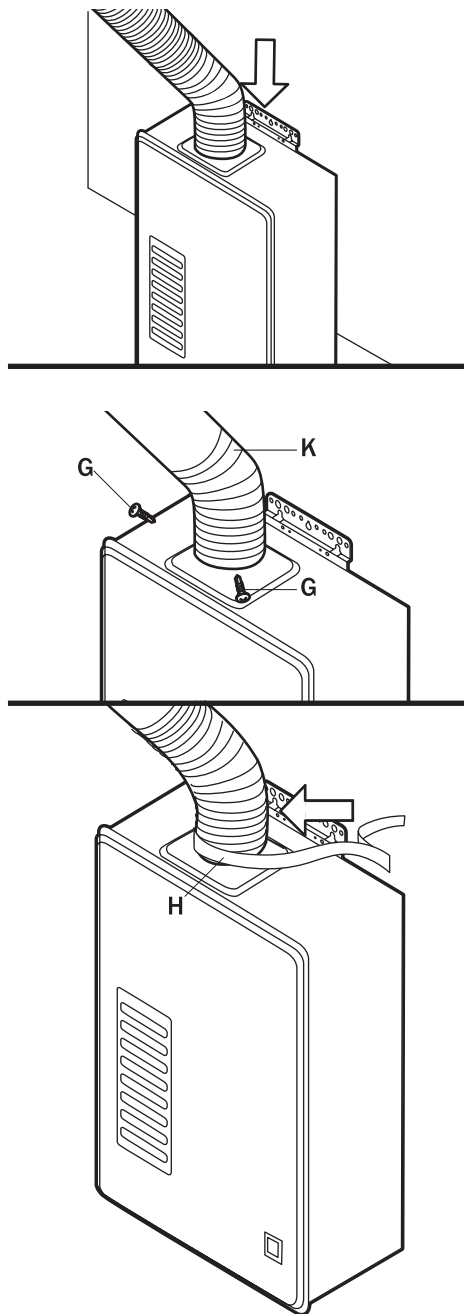


- 18** Test the system for carbon monoxide leaks.

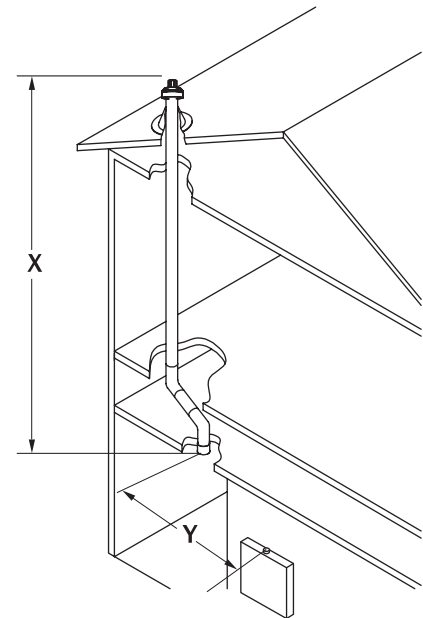


INSTALLATION (CONTINUED)

- 19** Extend the flex sleeve to the top of the heater. Secure with fastening screws and aluminum tape.



- 20** Calculate total vent length and adjust dip switch on the heater if required. Refer to unit's Installation Manual.



Be sure to do

Adjust dip switch on the heater appropriately, for proper heater operation



1-866-766-7489

WWW.NORITZ.COM