

**Exposed Ratchet Type
No. 00-R**

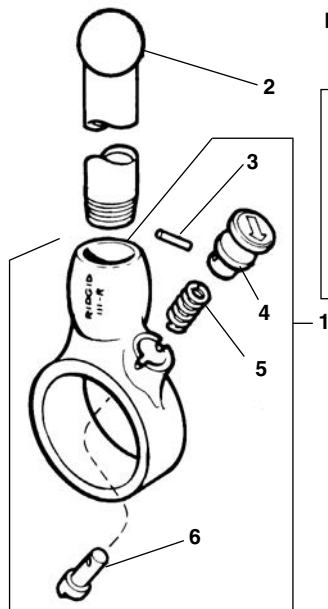
Capacity: 1/8" through 1"

No. 111-R

Capacity: 1/8" through 1 1/4"

No. 12-R

Capacity: 1/8" through 2"

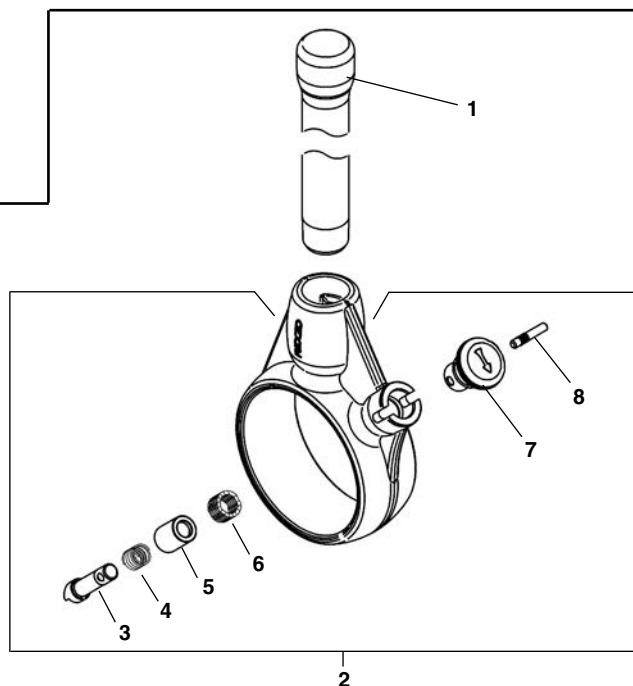


NOTE: Order parts by Catalog Number only.
DO NOT order by Reference Number.

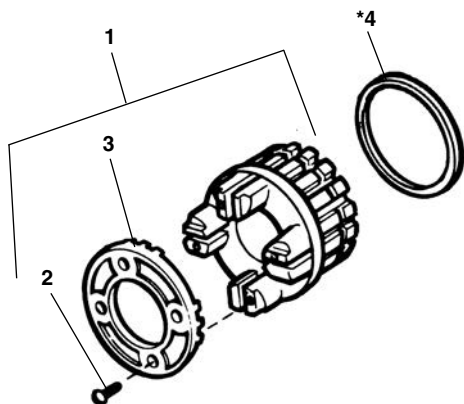
| Ref. No. | Description | 00-R Catalog No. | 111-R Catalog No. | 12-R Catalog No. |
|----------|-----------------------------|---------------------|----------------------|---------------------|
| — | Ratchet and Handle Assembly | 38540 | 38550 | — |
| 1 | Ratchet Assembly | 38565 | 38575 | 12238 |
| 2 | Handle | 38590 | 38585 | 38585 |
| 3 | Pin | 38705 | 38705 | 38705 |
| 4 | Knob | 38700 | 38700 | 38700 |
| 5 | Spring | 16593 | 38695 | 38695 |
| 6 | Pawl | 38690 | 38690 | 38690 |

12-R Type 2 Ratchet and Handle

| Ref. No. | Catalog No. | Description |
|----------|-------------|---------------------------|
| — | 30118 | Ratchet & Handle Assembly |
| 1 | 38585 | Handle |
| 2 | 12238 | Ratchet Assembly |
| 3 | 16033 | Pawl |
| 4 | 38695 | Compression Spring |
| 5 | 16023 | Sleeve |
| 6 | 16018 | Spring Wave Washer |
| 7 | 16038 | Knob |
| 8 | 38705 | Pawl Pin |



Die Head Assembly



* Used on early models

| Ref. No. | Description | | 00-R Catalog No. | 12-R Catalog No. | 12-R IMC Catalog No. |
|----------|---------------------------------|-------------|---------------------|---------------------|-------------------------|
| 1 | Die Head w/Cover Plate & Screws | 1/8" | 38710 | 38890 | — |
| | | 1/4" | 38730 | 38900 | — |
| | | 3/8" | 38740 | 38905 | — |
| | | 1/2" | 38755 | 38910 | 94060 |
| | | 3/4" | 38765 | 38915 | 94065 |
| | | 1" | 38775 | 38920 | 94070 |
| | | 1 1/4" | — | 38925 | 94075 |
| | | 1 1/2" | — | 38930 | 94080 |
| 2 | Cover Plate Screw (4) | 1/8"-1/4" | 38720 | 38720 | — |
| | | 3/8"-1 1/4" | 38750 | 38750 | 38750 |
| | | 1 1/2"-2" | — | 38940 | 38940 |
| 3 | Cover Plate | 1/8" | 38715 | 38715 | — |
| | | 1/4" | 38735 | 38735 | — |
| | | 3/8" | 38745 | 38745 | — |
| | | 1/2" | 38760 | 38760 | 38760 |
| | | 3/4" | 38770 | 38770 | 38770 |
| | | 1" | 38780 | 38780 | 38780 |
| | | 1 1/4" | — | 38880 | 38880 |
| | | 1 1/2" | — | 38935 | 38935 |
| 2" | — | 38950 | 38950 | | |
| 4 | Spring Ring | | *38725 | *38895 | — |