

## Kiwami® Asymmetrical Vessel Lavatory

### FEATURES

- 18-1/8"W x 16-1/2"D x 5-1/8"H
- CEFIONTECT® ceramic glaze minimizes debris and mold from sticking to surface (#01 only)
- Available in 4 new finishes - Matte White, Matte Black, Matte Gray, and Matte Beige
- Crafted with LINEARCERAM® – a durable material for an ultra sleek and modern design
- Drain and decorative drain cover (*sold separately*)
- Complete with installation template
- ADA compliant
- Front overflow



### MODELS

- LT477G#01  
With CEFIONTECT
- LT477#MW/MBL/MGR/MBE

### COLORS/FINISHES

- #01 Cotton
- #MW Matte White
- #MBL Matte Black

#### Made to Order:

- #MGR Matte Gray
- #MBE Matte Beige

### PRODUCT SPECIFICATION

This vessel lavatory shall be made with LINEARCERAM. Lavatory shall be ADA compliant. Lavatory shall be TOTO Model LT477 \_\_\_\_\_.

### CODES/STANDARDS

- Meets ADA guidelines and ANSI A117.1 requirements when top of lavatory rim is installed 864mm (34") from finished floor and lavatory is installed 54mm (2-1/8") minimum from front edge
- Meets and exceeds ASME A112.19.2/CSA B45.1
- Certifications: IAPMO(cUPC), State of Massachusetts, City of Los Angeles, and others
- Code compliance: UPC, IPC, NSPC, NPC Canada, and others



**CEFIONTECT**

(#01 Only)



**LINEARCERAM**

### REQUIRED COMPONENTS FOR TOTO FAUCET (*Sold Separately*)

#### Decorative Cover Plate and Drain (Kick Lever)

THP737#01/MW/MBL/MGR/MBE

ZL: TLP02307U#XX

GO: TLG01307U#XX

GR: TLG02307U#XX

GS: TLG03305U#XX

#### Decorative Cover Plate

THP739#01/MW/MBL/MGR/MBE

ZA: TLP03301U#XX

GE: TLG07305U#XX

GC: TLG08305U#XX

GM: TLG09305U#XX

GB: TLG10305U#XX

GF: TLG11305U#XX

# LT477(G)

## Kiwami® Asymmetrical Vessel Lavatory

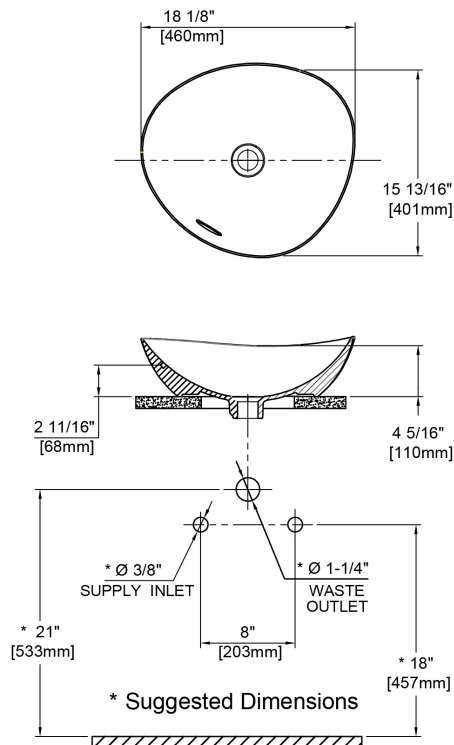
### SPECIFICATIONS

<b>Waste</b>	1-1/4"
<b>Size</b>	18-1/8"W x 16-1/2"D x 5-1/8"H
<b>Basin</b>	19-3/8"W x 14-5/8"D
<b>Basin Depth</b>	5-1/8"
<b>Warranty</b>	One Year Limited Warranty
<b>Material</b>	LINEARCERAM®
<b>Shipping Weight</b>	21 lbs
<b>Shipping Dimensions</b>	20-3/8" x 18-7/8" x 7-7/8"

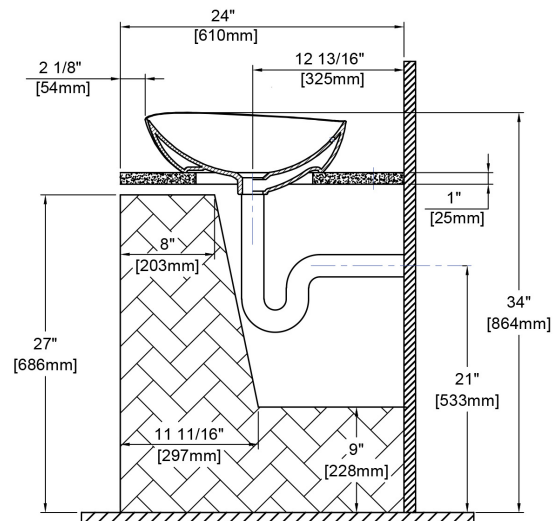
### INSTALLATION NOTES

Recommended drains , THP737 or THP739. No drain is included. The recommended faucet height from deck to spout is 8-5/16" (211mm) and below. Aim water supply away from the drain cover.

### DIMENSIONS



### ADA Compliance Check



**TOTO®**

These dimensions and specifications are subject to change without notice