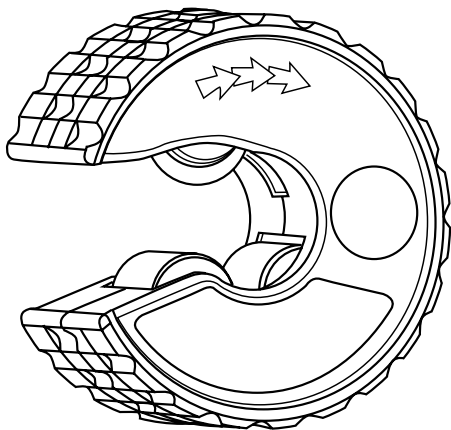
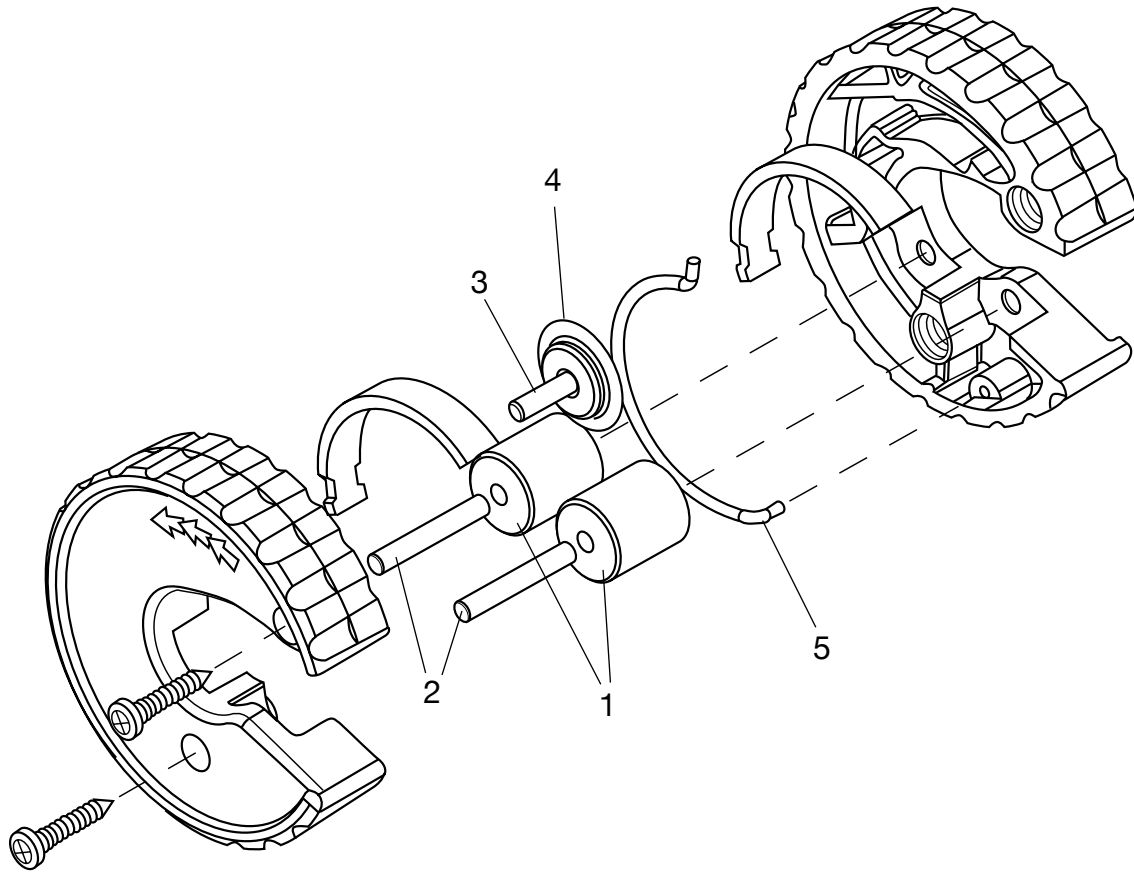




PIPE TOOLS & VISES  
SINCE 1896

# C Cutters (TC1SL, TC75SL, TC50SL, TC1SLR, TC50SLR, TC75SLR)

## Replacement Parts



### Parts List

ITEM	DESCRIPTION	ITEM CODE	QTY.
1	A) ROLLER 1/2"	43406	2
	B) ROLLER 3/4"	43407	2
	C) ROLLER 1"	43408	2
2	ROLLER PIN	43405	2
3	WHEEL PIN	43403	1
4	SLRCW CUTTER WHEEL	03375	1
5	A) SPRING 1/2"	43401	1
	B) SPRING 3/4"	43402	1
	C) SPRING 1"	43402	1

Reed Manufacturing Company  
1425 West 8th Street  
Erie, PA 16502 USA



Phone: 800-666-3691 or 814-452-3691  
Fax: 800-456-1697 or 814-455-1697  
[www.reedmfgco.com](http://www.reedmfgco.com)