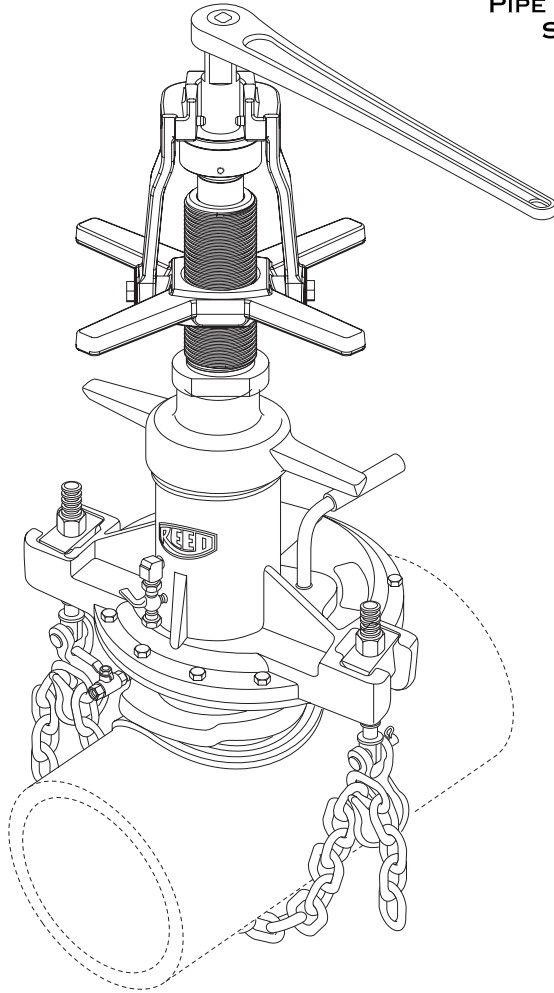
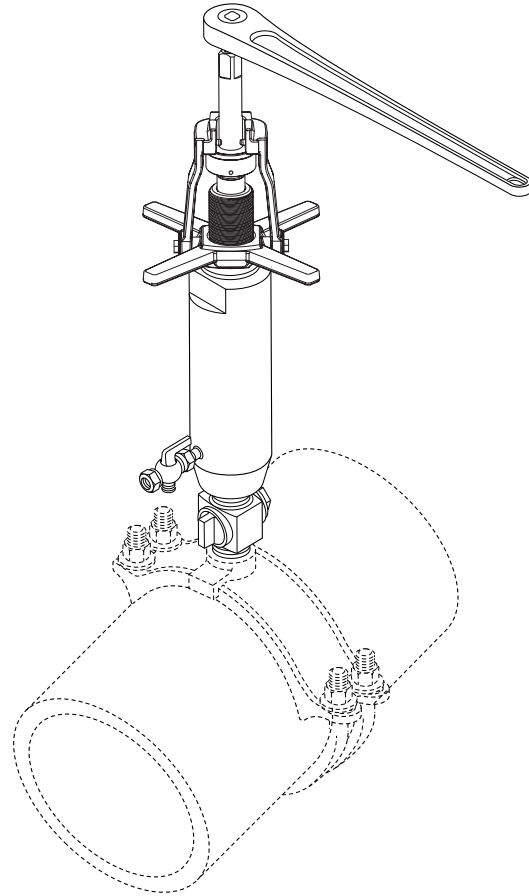




PIPE TOOLS & VISES
SINCE 1896



TM1100



DM1100 / DM2100

Tapping & Drilling Instructions Instrucciones para atornillar y perforar

COMBINATION TAPPING & DRILLING MACHINE - CDTM1100, CDTM2100

TAPPING MACHINE - TM1100

DRILLING MACHINE - DM1100, DM2100

MÁQUINA COMBINADA PARA PERFORAR Y ATORRAJAR - CDTM1100, CDTM2100

MÁQUINA PARA ATORRAJAR - TM1100

MÁQUINA PARA PERFORAR - DM1100, DM2100

WARNING:

Read and fully understand all instructions before operating any of Reed's tapping or drilling machines. Failure to follow all instructions listed inside, may result in serious personnel injury and / or property damage.

ADVERTENCIA:

Lea y comprenda perfectamente todas las instrucciones antes de operar cualquier máquina para atornillar o perforar de Reed. El incumplimiento de cualquiera de las instrucciones que aparecen en este documento puede resultar en graves lesiones personales o daños materiales.

CONTENTS:

- 1) Basic Product Information
- 2) Operating Instructions
- 3) Maintenance Instructions
- 4) Parts Illustration, Parts List, and Necessary Accessories

ÍNDICE:

- 1) Información básica sobre el producto
- 2) Instrucciones de operación
- 3) Instrucciones de mantenimiento
- 4) Ilustraciones de partes, lista de partes y accesorios necesarios

REED MANUFACTURING COMPANY

1425 WEST 8TH ST. P.O. Box 1321, ERIE, PA 16512 EE.UU. PHONE/ TELÉFONO: 800-666-3691 OR/O 814-452-3691 FAX: 800-456-1697 OR/O 814-455-1697

www.reedmfgco.com

1110-59300

COMBINATION TAPPING & DRILLING MACHINE - CDTM1100, CDTM2100 TAPPING MACHINE - TM1100. DRILLING MACHINE - DM1100, DM2100

Basic Product Information:

The TM1100 tapping machine drills and taps pressurized water mains. The tool additionally installs a 3/4" or 1" corporation stops. The tool can drill and tap 4"-48" cast or ductile iron and C-900 PVC. The base tool requires saddles for specific sizes and chain extensions above 16". The tool uses Reed DT series drill taps.

The DM1100 and DM2100 drilling machines drill through the wall of pressurized pipe via the corporation stop and saddle. These tools use Reed D series drills and hole saws. The CDTM1100 and CDTM2100 combination machines use common components to assemble either the drilling machine or the tapping machine.

Catalog No.	Item Code	Size	Pipe Dia.	Net Shipping Weight
CDTM1100	09304	3/4" - 1" TAP & DRILL	4"-48" TAP	114 lbs/52 kg
CDTM2100	09314	3/4" - 1" TAP/ 2" DRILL	4"-48" TAP	116 lbs/53 kg
DM1100	09302	3/4" - 1"	N/A	58.2 lbs/26.5 kg
DM2100	09312	3/4" - 2"	N/A	60.9 lbs/27.7 kg
DMBASE	09301	N/A	N/A	35 lbs/15.9 kg
TM1100	09300	3/4" - 1"	4"-48" TAP	102 lbs/46 kg

Additional Specifications

- Tool Box overall outside dimensions:
TM1100 27 5/8 x 13 3/4 x 14
DM1100 23 x 10 1/2 x 11 3/8
See sketch for overall machine dimensions.
- Machine Clearance radius:
TM1100 = 32"
DM1100 = 26"
- Pressure Rating: Design pressure rating for valve and chamber = 250 psi.
- Operating Pressure Rating - 90 psi - ie - Drilling or Tapping into pressurized mains.

Warning:

Drilling or Tapping into highly pressurized mains is not recommended. However, it is permissible at pressure up to 250 psi, if utilizing special precautions and incorporating high pressure attachments such as the Mueller® Power Clevis #H-10800. (See operations and maintenance manual.) DO NOT USE on natural gas or petroleum piping.

- Flushing/blow by port: 1/2-14 NPT plugged port is provided in bottom chamber for flushing chips while tapping into pressurized mains.
- Swing check valve resists clogging and is easy to clean out.
- Manual pressure balancing and top chamber pressure relief valves are accessible and easy to use.
- Manual or power drive operation through 13/16" square shaft (Adapter sold separately).

Materials and Finish:

- Hard anodized and powder epoxy painted aluminum frames.
- Alloy steel boring bar.
- Heavy duty steel chain and forged steel chain hooks.
- Bronze and zinc aluminum parts.
- EPR rubber gaskets and "O" rings.
- Plated steel parts.

CDTM1100 and CDTM2100

Operating Instructions:

1. Drilling

- Convert direct tapping set up to drilling set up.
 - Remove 99307 Bearing Assembly by backing out the single set screw.
 - Remove the tapping boring bar from the 99300 Threaded Body
 - Insert the drilling machine boring bar into the threaded body.
 - 3/4" and 1" branch taps - reinstall bearing assembly. Line the set screw up with the lower hole in the boring bar. Drive the screw in until recessing the screw slightly. (See figures 2 & 3)
 - 1-1/2" and 2" branch taps -
 - Install 99301 Sleeve.
 - Reinstall bearing assembly. Line the set screw up with the lower hole in the boring bar. Drive the screw in until recessing the screw slightly. (See figures 2 & 3)
 - Follow DM1100/DM2100 operating instructions to tap branch lines.

2. Tapping

- Convert drilling set up to tapping set up.
 - Remove 99307 Bearing Assembly. Back the single set screw out past the sleeve then remove the bearing assembly and sleeve.
 - Remove the drilling boring bar from the 99300 Threaded Body
 - Insert the tapping machine boring bar into the threaded body.
 - Reinstall the bearing assembly on the tapping bar.
 - Line the set screw up with the lower hole in the boring bar. Drive the screw in until recessing the screw slightly.
- Follow TM1100 to tap branch lines.

TM1100 Operating Instructions:

Warning:

The maximum operating pressure for this tool is 90 psig (621kPa). When using a power clevis, the maximum operating pressure is 250 psig (1724 kPa). DO NOT USE this tool on pipes containing natural gas or petroleum products.

Warning: Dry tap a piece of pipe to acquaint personnel with the machine and to preset groove depth for tapping.

1. Select proper tools necessary to perform tap.

- Corporation stop.
- Drill tap size to match corporation stop threads.
- Proper size saddle.
- Proper size corp insertion tool.
- Any other necessary accessories to meet operating requirements.

2. Assemble chamber to the pipe.

- Clean area of pipe where tap will occur. Use a REED DS12 or DS36 Descaler.
- Place saddle gasket on the pipe with hub up.
- Place the saddle over the gasket. Fit hub into center hole.
- Place the disc gasket in the top recess.
- Unscrew the top cap (assembled with Boring Bar).
- Place the machine chamber onto the disc gasket recess. Position the machine so the swing valve is on the same side as the operator.

- G. Place chain hooks and swivels into slots on both sides of the chamber.
- H. Connect the chain to one of the chain hooks, bring chain under the pipe and connect on the other side to the nearest link.
Do not twist or create kinks in the chain.
- I. Hand tighten nuts.

NOTE:

Use additional chain extensions and clevis for diameters over 16".

3. Position chamber at desired angle.

Tighten down chain nuts evenly, using REED CW12 adjustable wrench.

- A. Ensure the gaskets make good contact.
- B. Verify chain holds the machine securely on the pipe and saddle.

4. Insert tool into Boring Bar.

- A. Push knockout pin in Boring Bar to its holding position.
(Toward flat side of bearing)
- B. Insert shank end of drill tap and align pin with slots in bar end.
- C. Make sure tool is securely seated and lightly tighten the tool retaining screw.
- D. Retract tool end of Boring Bar all the way into the top cap.
- E. Generously coat tap with REED #98425 Tapping Compound.

5. Assemble top and bottom halves

- A. Verify:
 - a. Swing valve open.
 - b. Upper ball valve shut.
 - c. Needle valve (with star knob) shut.
- B. Screw Boring Bar top cap hand tight onto the top chamber (1 3/4 Turns).
- C. Push down Boring Bar slowly until bit touches the pipe.
- D. Install the thrust bearing.
- E. Place the Yoke over the bearing. Adjust the Star Feed as necessary. Ensure Boring Bar rests in a position past the detent pins. This will ensure the Yoke fully engages the Bearing.
- F. Put ratchet wrench on top of Boring Bar.

6. Drilling and Tapping

- A. Preparing to Drill
 - a. Manually: Adjust the ratchet wrench to turn clockwise.
 - b. Power Drive: Reed 98427 Power Drive Adapter (#98427) will fit onto RIDGID® brand 700 or the Collins® power drives. When using this adapter, the operator can control the feed rate for drilling.
- B. Drill through the pipe by pulling the ratchet wrench clockwise and turning the star feed clockwise in a smooth and consistent manner. An easily turning Boring Bar and star feed indicates one has completed drilling through the pipe wall.
- C. If appropriate, open the ball valve to allow flushing of chips while drilling.
- D. Feed drill tap down until feeling resistance. One will feel resistance when the tapping threads contact the pipe wall.
- E. Begin tapping by rotating the ratchet wrench.
- F. Continuously turn the feed housing. Rotate in a smooth and constant manner. DO NOT FORCE the star feed. Forcing the star feed will strip off the threads.
- G. Continue tapping until start of the 3/32" wide groove in the Boring Bar sits flush with the Main Body. This depth should result in a satisfactory tap. Resharpened drill taps may require two additional turns. Other manufacturer's drill taps may vary. Consult drill tap manufacturer's instructions.

Consider conducting dry taps to determine a depth that works best for you.

7. Tool Removal

- A. Reverse the ratchet detent lever (or Power Drive Switch) and carefully back the tool out of the tapped hole using a counterclockwise rotation.
- B. Once the tap is free of the pipe, retract the Boring Bar to its uppermost position.
- C. Close the swing valve by pushing down on the handle and turning it 90 degrees counterclockwise.
- D. Open the pressure relief valve on the top chamber to release pressure, then close it again.
- E. Unscrew the top cap assembly from the valve chamber.
- F. Loosen the tool retaining screw and strike the end of the knockout pin to release the drill tap.

8. Attaching Corporation Stop to Boring Bar

- A. Verify the selected corp stop matches the size intended and the drill tap size.
- B. Shut the corp stop.
- C. Screw the corp stop and corp adapter together. Screw the adapter shank to the corp adapter.
- B. Push knockout pin in Boring Bar to its holding position.
(Toward flat side of bearing sleeve.)
- C. Insert tapered end of the adapter shank into the Boring Bar and align the pin with the slots in the bar end. Tighten the tool retaining screw.
- D. Make sure the Boring Bar retracts all the way into the top cap. Apply non-toxic pipe dope to corp inlet threads.
- E. Screw assembly into the valve chamber.

9. Inserting the Corp Stop

- A. Attach the ratchet wrench onto the Boring Bar and set it for clockwise rotation.
- B. Turn the star knob counterclockwise 1 turn to balance the pressure.
- C. Push down on the swing valve handle and turn 90 degrees clockwise.
- D. Push the Boring Bar down until the corp stop threads touch the pipe.
- E. If not already done, swing Yoke over the Boring Bar to engage the bearing. Feed the bar as needed.
- F. To start the engagement, rotate the Boring Bar clockwise while carefully turning the feed housing clockwise. Once the threads are engaged, disengage the Yoke. Continue rotating until the corporation stop feels solid. Do not attempt to permanently tighten the corporation stop with the machine

10. Releasing the Corporation Adapter

- A. Reverse the ratchet to turn counterclockwise.
- B. Remove play from the ratchet wrench with one hand, and strike the wrench handle with the other hand to disengage the corporation adapter from the adapter shank.
- D. Rotate the ratchet wrench counterclockwise until the adapter shank is completely free.
- E. Verify quality of corp stop seal by opening the chip flush valve and attempting to release pressure in the chamber. If pressure does not drop and water continues to flow, re-engage to corp stop with the boring bar and attempt to tighten the corp stop further.

11. Machine Removal

- A. Loosen the chain hook nuts and unhook the chain. Remove hooks from the machine.
- B. Carefully remove the machine, saddle, and gaskets and place them on a clean surface.
- C. Tighten the corporation stop, using a suitable wrench on the inlet thread side.
- D. Remove the corp adapter using the REED CW18 provided.

DM1100 / DM2100

Operating Instructions:

1. Select proper tools necessary to perform drilling operation.

- A. Service saddle
- B. Corporation stop
- C. Drill size and drill adapter to match corporation stop bore
- D. Corp adapter with flush valve
- E. For 1 1/2" and 2", install 99301 sleeve (See figures 2 & 3)
 - a. Retract set screw in bearing assembly, slide off bearing assembly
 - b. Slide sleeve in place, (hole must line up)
 - c. Install bearing assembly
- F. Any other necessary accessories to meet operating requirements

2. Assemble saddle to the pipe.

- A. Clean area of pipe where tap is to be performed. REED DS12 (#08000) or DS36 (#08006) may be used.
- B. Assemble service saddle on the pipe where desired and tighten securely.

3. Insert corporation stop into saddle threads.

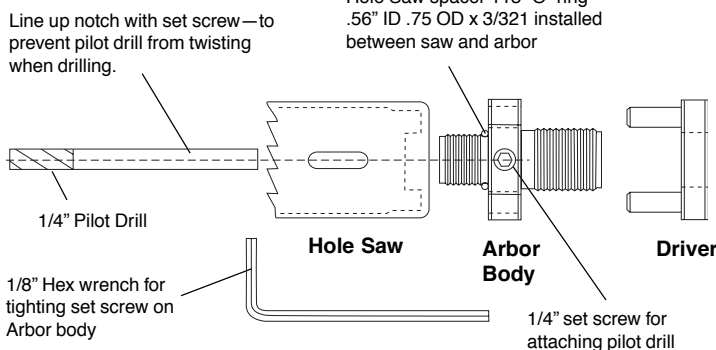
- A. Thread sealant may be used.
 - B. Tighten corporation stop with an adjustable wrench.
- Note:** Make sure corporation stop valve is open.

4. Screw threaded body into the corp adapter.

5. Assemble drill adapter and appropriate drill into boring bar.

A. If you are using the unit for drilling 1 1/2" or 2", the hole saw adapter and hole saws with pilot drills are needed. Screw the hole saw onto the arbor body and line up holes after hand tightening. Assemble the driver into the body and hole saw. Insert the pilot drill into the arbor body. Allow a maximum of 1/4" of the drill tip to protrude from the hole saw. Line up the slot in the drill with the set screw and tighten with the hex key wrench provided. (When using on PVC, a pilot drill is not necessary.) See Figure 1 below.

Figure 1



Note: Do not use pilot when drilling PVC pipe.

6. Screw corp adapter onto corporation stop.

7. Drilling

- A. Run drill bit down until it touches the pipe.
- B. Swing cam handle and tighten.
- C. Attach ratchet wrench on square drive and turn drill clock wise while turning the feed housing to feed the drill.

NOTE: Do not attempt to overfeed and force the drill.

- D. Open the ball valve on the side of the corp adapter to allow the flushing of chips.
- E. Once the drill is completely through the pipe, release the cam handle to allow the boring bar to return to its uppermost position.

NOTE: Put downward pressure on the boring bar to keep it from traveling too fast upward and potentially damaging the machine.

8. Close off the corporation stop using an adjustable wrench.

9. Disassemble machine from corporation stop.

10. Assemble tubing to corporation stop per tubing and fitting manufacturer's specs.

Maintenance Instructions:

CDTM1100, CDTM2100, TM1100, DM1100, DM2100

Before Using

- 1. Clean and oil all bearing and wear surfaces and threads.
- 2. Inspect and clean tapping bits, and remove chips and scale. Chips and scale may prevent proper function of the tool.
- 3. Inspect and clean the Boring Bar tool end. Chips and scale may interfere with the insertion of the tapping bit or adapter shank.

After Using

- 1. Clean the machine and oil the machined surfaces. If necessary, the top and bottom chambers can be easily disassembled to clean more thoroughly.
- 2. Lubricate the tool holding area of the boring bar with REED #98425 Tapping Compound.
- 3. If necessary, flush the bottom chamber with a water hose to remove any chips. DO NOT hammer frames to remove chips or debris - Handle Carefully!
- 4. Protect threaded pieces by assembling them with their mating parts.
- 5. Periodically, inspect the Boring Bar's o-ring seals and replace if worn.
- 6. Carefully, place the tool back in the toolbox for storage.

Figure 2

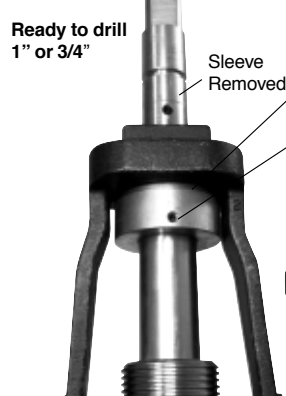
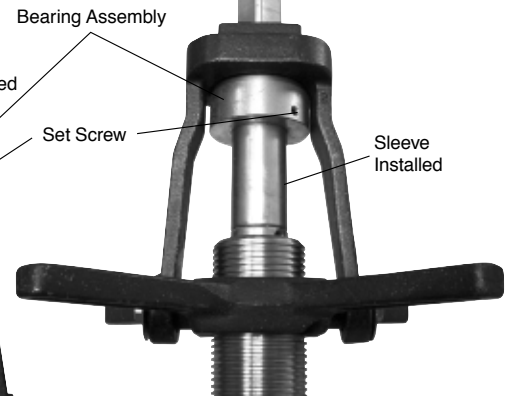


Figure 3



MÁQUINA COMBINADA PARA PERFORAR Y ATERRAJAR - CDTM1100, CDTM2100 MÁQUINA PARA ATERRAJAR - TM1100. MÁQUINA PARA PERFORAR - DM1100, DM2100

Información básica sobre el producto:

La máquina para aterrar TM1100 perfora y aterra conducciones de agua a presión. Además, la herramienta instala una pieza de incorporación de 3/4 ó 1 pulg. La herramienta puede perforar y aterrar hierro fundido o dúctil de 4-48 pulg. y C-900 PVC. La herramienta básica requiere carros portaherramientas para tamaños específicos y extensiones de cadena para más de 16 pulg. La herramienta usa machos de terraja de perforación Reed de la serie DT.

Las máquinas de perforación DM1100 y DM2100 perforan la pared de tuberías a presión mediante la pieza de incorporación y el carro portaherramientas. Estas herramientas usan brocas y sierras de perforar Reed de la serie D. Las máquinas combinadas CDTM1100 y CDTM2100 usan componentes comunes para ensamblar la máquina para perforar o la máquina para aterrar.

Nº de catálogo	Código de elemento	Tamaño	Diám. de tubo	Peso neto de transp.
CDTM1100	09304	TERRAJA Y BROCA 3/4 - 1 pulg.	MACHO TERRAJA 4-48 pulg.	114 lb./52 kg
CDTM2100	09314	TERRAJA 3/4 - 1 pulg./BROCA 2 pulg.	MACHO TERRAJA 4-48 pulg.	116 lb./53 kg
DM1100	09302	3/4" - 1"	N/A	58,2 lb./26,5 kg
DM2100	09312	3/4" - 2"	N/A	60,9 lb./27,7 kg
DMBASE	09301	N/A	N/A	35 lb./15,9 kg
TM1100	09300	3/4" - 1"	MACHO TERRAJA 4-48 pulg.	102 lb./46 kg

Especificaciones adicionales

- Dimensiones exteriores generales de la caja de herramientas:
TM1100 27 5/8 x 13 3/4 x 14
DM1100 23 x 10 1/2 x 11 3/8
Consulte el dibujo para conocer las dimensiones generales de la máquina.
- Radio de separación de la máquina:
TM1100 = 32 pulg.
DM1100 = 26 pulg.
- Presión nominal: Presión nominal de diseño para válvula y cámara = 250 psi.
- Presión nominal operativa: 90 psi; es decir, aterrar o perforar en conductos a presión.

Advertencia:

No se recomienda taladrar ni aterrar en conducciones con muy alta presión. Sin embargo, se permiten a presiones de hasta 250 psi si se utilizan precauciones especiales y se incorporan accesorios para alta presión, como la horquilla eléctrica Mueller® #H-10800. (Consulte el manual de operación y mantenimiento). NO UTILICE en tuberías de gas natural o petróleo.

- Limpieza/soplado por orificio: En la cámara inferior se incluye un orificio con tapón de 1/2-14 NPT para el vaciado de las virutas mientras se aterra en conducciones a presión.
- La válvula de charnela de verificación resiste los atascos y es fácil de limpiar.
- La válvula de equilibrado de presión manual y la válvula de seguridad de presión de la cámara superior son accesibles y fáciles de usar.
- Operación manual o eléctrica mediante eje cuadrado de 13/16 pulg. (el adaptador se vende por separado).

Materiales y acabado:

- Bastidores de aluminio duro anodizado y pintados con epoxy pulverizado.
- Barra taladradora de aleación de acero.
- Cadena de acero de alta resistencia y ganchos de cadena de acero forjado.
- Partes de aluminio de bronce y zinc.
- Juntas y juntas tóricas de goma EPR.
- Partes chapadas en acero.

CDTM1100 y CDTM2100

Instrucciones de operación:

1. Perforación

- Convierta la configuración directa para aterrar en configuración para perforar.

- Retire el conjunto de cojinetes 99307 extrayendo el único tornillo de fijación.
- Retire la barra taladradora para aterrar del cuerpo roscado 99300.
- Inserte la barra taladradora de la máquina para perforar en el cuerpo roscado.
 - Machos de terraja de derivación de 3/4 y 1 pulg.: vuelva a instalar el conjunto de cojinetes. Alinee el tornillo de fijación con el orificio inferior en la barra taladradora. Introduzca el tornillo hasta que sobresalga ligeramente.. (Consulte las figuras 2 y 3).
 - Machos de terraja de derivación de 1-1/2 y 2 pulg.:
 - Instale el manguito 99301.
 - Vuelva a instalar el conjunto de cojinetes. Alinee el tornillo de fijación con el orificio inferior en la barra taladradora. Introduzca el tornillo hasta que sobresalga ligeramente.. (Consulte las figuras 2 y 3).

- Siga las instrucciones de operación DM1100/DM2100 para aterrar líneas de derivación.

2. Aterrizar

- Convierta la configuración para perforar en configuración para aterrar.

- Retire el conjunto de cojinetes 99307. Retire el único tornillo de fijación que hay más allá del manguito y luego retire el conjunto de cojinetes y el manguito.
- Retire la barra taladradora para perforar del cuerpo roscado 99300.
- Inserte la barra taladradora de la máquina para aterrar en el cuerpo roscado.

- Vuelva a instalar el conjunto de cojinetes en la barra para aterrar.
- Alinee el tornillo de fijación con el orificio inferior en la barra taladradora. Introduzca el tornillo hasta que sobresalga ligeramente.

- Siga TM1100 para aterrar líneas de derivación.

Instrucciones de operación TM1100:

Advertencia:

La máxima presión operativa para esta herramienta es 90 psig (621 kPa). Si usa una horquilla eléctrica, la presión operativa máxima es 250 psig (1724 kPa). NO UTILICE esta herramienta en tuberías que contengan productos de gas natural o petróleo.

Advertencia: Aterrizar en seco un trozo de tubería para familiarizar al personal con la máquina y configurar la profundidad de ranura para aterrar.

1. Seleccione las herramientas adecuadas necesarias para aterrar.

- Pieza de incorporación.
- Aterrizar al tamaño que corresponda a las roscas de la pieza de incorporación.
- Carro portaherramientas de tamaño correcto.
- Herramienta para inserción de pieza de incorporación de tamaño correcto.
- Cualquier otro accesorio necesario para satisfacer las necesidades operativas.

2. Ensamble la cámara a la tubería.

- Limpie el área de la tubería donde va a aterrar Use un desincrustador REED DS12 o DS36.
- Coloque la junta del carro portaherramientas en la tubería con el cubo hacia arriba.
- Coloque el carro portaherramientas sobre la junta. Coloque el cubo en el orificio central.
- Coloque la junta de disco en el saliente superior.
- Desatornille la tapa superior (ensamblada con la barra taladradora).
- Coloque la cámara de la máquina sobre el saliente superior de la junta de disco. Coloque la máquina de manera que la válvula de charnela esté en el mismo lado que el operador.
- Introduzca los ganchos de cadena y las articulaciones en las ranuras de ambos lados de la cámara.

- H. Conecte la cadena a uno de los ganchos de cadena, pase la cadena bajo la tubería y conecte en el otro lado al eslabón más cercano. No retuerza ni doble la cadena.
- I. Apriete las tuercas a mano.

NOTA:

Use extensiones de cadena adicionales y horquillas para diámetros superiores a 16 pulg.

3. Coloque la cámara en el ángulo deseado.

- A. Apriete las tuercas de la cadena homogéneamente utilizando la llave ajustable REED CW12.
- A. Asegúrese de que las juntas hacen un buen contacto.
- B. Verifique que la cadena sostiene la máquina de forma segura en el tubo y el portaherramientas.

4. Inserte la herramienta en la barra taladradora.

- A. Empuje el pasador percutor al interior de la barra taladradora hasta su posición de sujeción. (Hacia el lado plano del cojinete).
- B. Inserte el extremo de la espiga del macho de terraja de perforación y alinee el pasador con las ranuras en el extremo de la barra.
- C. Asegúrese de que la herramienta está asentada de forma segura y apriete ligeramente el tornillo de retención de la misma.
- D. Haga retroceder el extremo de la herramienta de la barra taladradora completamente al interior de la tapa superior.
- E. Recubra el macho de terraja abundantemente con compuesto para aterrajear REED #98425.

5. Ensamble las mitades superior e inferior.

- A. Verifique:
 - a. Válvula de charnela abierta.
 - b. Válvula esférica superior cerrada.
 - c. Válvula de aguja (con botón de estrella) cerrada.
- B. Atornille el tapón superior de la barra taladradora a mano fuertemente sobre la cámara superior (1 3/4 giro).
- C. Presione la barra taladradora lentamente hacia abajo, hasta que la broca toque la tubería.
- D. Inestable el pivote.
- E. Coloque la fijación sobre el cojinete. Ajuste el avance de estrella según sea necesario. Asegúrese de que la barra taladradora descansa en una posición más allá de los pasadores de retén. Esto asegurará que la fijación enganche completamente el cojinete.
- F. Coloque la llave de trinquete en la parte superior de la barra taladradora.

6. Perforación y aterrajado

- A. Preparación para taladrar
 - a. De forma manual: Ajuste la llave de trinquete para girar en el sentido de las agujas del reloj.
 - b. Dispositivo de toma de fuerza: El adaptador de toma de fuerza Reed 98427 (#98427) encajará en las tomas de fuerza 700 de la marca RIDGID® o las tomas de fuerza Collins®. Si se utiliza este adaptador, el operador puede controlar la tasa de avance para la perforación.
- B. Perfóre la tubería jalando la llave de trinquete en el sentido de las agujas del reloj y girando el avance de estrella en el sentido de las agujas del reloj de una forma homogénea y consistente. Si la barra taladradora y el avance de estrella giran fácilmente, esto indica que se ha finalizado la perforación de la pared de la tubería.
- C. Si corresponde, abra la válvula esférica para permitir que se vacíen las virutas durante la perforación.
- D. Avance el macho de terraja de perforación hacia abajo hasta que note resistencia. La resistencia se nota cuando las roscas de aterrajear contactan con la pared de la tubería.
- E. Comience a aterrajear haciendo girar la llave de trinquete.
- F. Gire continuamente el alojamiento del avance. Gire de una forma constante y homogénea. NO FUERCE el avance de estrella. Forzar el avance de estrella estropeará las roscas.
- G. Siga aterrajando hasta que el principio de la ranura de 3/32 pulg. de anchura en la barra taladradora se asiente al ras con el cuerpo principal. Esta profundidad debería producir un aterrajado satisfactorio. Los machos de terraja de perforación que hayan sido afilados de nuevo pueden requerir dos giros adicionales. Los machos de terraja de perforación de otros fabricantes pueden variar. Consulte las instrucciones del fabricante del macho de terraja de perforación. Considere la posibilidad de realizar aterrajados en seco para determinar una profundidad que funcione

perfectamente para usted.

7. Retirada de herramientas

- A. Invierta la palanca de retén del trinquete (o el interruptor de la toma de fuerza) y saque cuidadosamente la herramienta del orificio aterrajado utilizando una rotación en sentido contrario a las agujas del reloj.
- B. Cuando el macho de terraja esté libre de la tubería, haga retroceder la barra taladradora a su posición más alta.
- C. Cierre la válvula de charnela empujando hacia abajo la empuñadura y girándola 90 grados en sentido contrario a las agujas del reloj.
- D. Abra la válvula de seguridad de presión en la cámara superior para reducir la presión y luego ciérrala de nuevo.
- E. Desatornille el conjunto de la tapa superior de la cámara de la válvula.
- F. Afloje tornillo de retención de la herramienta y golpee el extremo del pasador percutor para liberar el macho de terraja de perforación.

8. Acoplamiento de la pieza de incorporación a la barra taladradora

- A. Verifique que la pieza de incorporación seleccionada se corresponde con el tamaño pretendido y el tamaño del macho de terraja de perforación.
- B. Cierre la pieza de incorporación.
- C. Atornille la pieza de incorporación y el adaptador de incorporación entre sí. Atornille la espiga del adaptador al adaptador de incorporación.
- B. Empuje el pasador percutor al interior de la barra taladradora hasta su posición de sujeción. (Hacia el lado plano del manguito del cojinete).
- C. Inserte el extremo cónico de la espiga del adaptador en la barra taladradora y alinee el pasador con las ranuras en el extremo de la barra. Apriete el tornillo de retención de la herramienta.
- D. Asegúrese de que la barra taladradora retrocede completamente hasta la tapa superior. Aplique grasa para roscas de tubería no tóxica a las roscas de entrada de la pieza de incorporación.
- E. Atornille el conjunto en la cámara de la válvula.

9. Inserción de la pieza de incorporación

- A. Acople la llave de trinquete en la barra taladradora y ajústela para su rotación en el sentido de las agujas del reloj.
- B. Gire el botón de estrella en sentido contrario a las agujas del reloj 1 giro para equilibrar la presión.
- C. Empuje hacia abajo la empuñadura de la válvula de charnela y gírela 90 grados en el sentido de las agujas del reloj.
- D. Presione la barra taladradora hacia abajo hasta que las roscas de la pieza de incorporación toquen la tubería.
- E. Si no lo ha hecho ya, balancee la fijación sobre la barra taladradora para enganchar el cojinete. Haga avanzar la barra según sea necesario.
- F. Para iniciar el enganche, haga girar la barra taladradora en el sentido de las agujas del reloj mientras gira con cuidado el alojamiento del avance en el mismo sentido. Una vez que las roscas se hayan enganchado, desenganche la fijación. Continúe girando hasta que note la pieza de incorporación sólida. No intente apretar permanentemente la pieza de incorporación con la máquina.

10. Liberación del adaptador de incorporación

- A. Invierta el trinquete para girar en sentido contrario a las agujas del reloj.
- B. Elimine el juego de la llave del trinquete con una mano y golpee su empuñadura con la otra para desenganchar el adaptador de incorporación de la espiga del adaptador.
- D. Gire la llave de trinquete en sentido contrario a las agujas del reloj hasta que la espiga del adaptador esté completamente libre.
- E. Verifique la calidad del sello de la pieza de incorporación abriendo la válvula de vaciado de virutas e intentando reducir la presión de la cámara. Si la presión no desciende y el agua continúa fluyendo, vuelva a enganchar la pieza de incorporación con la barra taladradora e intente apretar más dicha pieza de incorporación.

11. Retirada de la máquina

- A. Afloje las tuercas de los ganchos de la cadena y desenganche la cadena. Retire los ganchos de la máquina.
- B. Retire con cuidado la máquina, el carro portaherramientas y las

- juntas y coloque en una superficie limpia.
- Apriete la pieza de incorporación utilizando una llave adecuada en el lado de la rosca de entrada.
 - Retire el adaptador de incorporación utilizando la pieza REED CW18 provista.

DM1100 / DM2100

Instrucciones de operación:

- Seleccione las herramientas adecuadas necesarias para realizar la operación de perforación.**
 - Carro portaherramientas de servicio
 - Pieza de incorporación
 - El tamaño de la broca y el adaptador de la broca deben corresponder con el orificio de la pieza de incorporación
 - Adaptador de incorporación con válvula de vaciado
 - Para 1 1/2 y 2 pulg. instale el manguito 99301. (Consulte las figuras 2 y 3).
 - Haga retroceder el tornillo de fijación en el conjunto de cojinetes, deslice hacia afuera dicho conjunto.
 - Deslice el cojinete en su lugar (el orificio debe estar alineado).
 - Instale el conjunto de cojinetes.
 - Cualquier otro accesorio necesario para satisfacer las necesidades operativas.
- Ensamble el carro portaherramientas a la tubería.**
 - Limpie el área de la tubería donde va a atornillar. Pueden usarse REED DS12 (#08000) o DS36 (#08006).
 - Monte el carro portaherramientas de servicio en la tubería, donde lo desee, y apriete con seguridad.
- Inserte la pieza de incorporación en las roscas del carro portaherramientas.**
 - Puede usarse sellante para roscas.
 - Apriete la pieza de incorporación con una llave ajustable.

Nota: asegúrese de que la válvula de la pieza de incorporación está abierta.
- Atornille el cuerpo roscado en el adaptador de incorporación.**
- Monte el adaptador de perforación y la broca apropiada en la barra taladradora.**
 - Si utiliza la unidad para perforar 1 1/2 ó 2 pulg., se necesitan el adaptador para sierras de perforar y sierras de perforar con brocas piloto. Atornille la sierra de perforar en el cuerpo del portabrocas y alinee los orificios tras apretar a mano. Monte el conductor en el cuerpo y la sierra de perforar. Inserte la broca piloto en el cuerpo del portabrocas. Deje que sobresalga un máximo de 1/4 pulg. de la punta de la broca desde la sierra de perforar. Alinee la ranura en la broca con el tornillo de fijación y apriete con la llave hexagonal provista. (Si usa en PVC no se necesita broca piloto). Consulte la figura 1 más adelante.
- Atornille el adaptador de incorporación en la pieza de incorporación.**

7. Perforación

- Lleve la broca hacia abajo hasta que toque la tubería.
- Gire la empuñadura de la leva y apriete.
- Acople la llave de trinquete sobre un accionamiento cuadrado y gire la broca en el sentido de las agujas del reloj mientras gira el alojamiento de avance para hacer avanzar la broca.

NOTA: No intente hacer avanzar demasiado ni forzar la broca.

- Abra la válvula esférica en el lado del adaptador de incorporación para permitir que salgan las virutas.
- Cuando la broca haya atravesado completamente la tubería, suelte la empuñadura de la leva para permitir que la barra taladradora regrese a su posición más alta.

NOTA: Ejercer presión hacia abajo en la barra taladradora para evitar que se desplace demasiado rápido hacia arriba y pueda dañar la máquina.

8. Cierre la pieza de incorporación utilizando una llave ajustable.

9. Desmonte la máquina de la pieza de incorporación.

10. Acople la tubería a la pieza de incorporación según las especificaciones del fabricante de las tuberías y los accesorios.

Instrucciones de mantenimiento:

CDTM1100, CDTM2100, TM1100, DM1100, DM2100

Antes de usar

- Limpie y engrase todas las roscas y superficies de cojinetes y de desgaste.
- Inspeccione y limpie las brocas de atornillar y retire las virutas y las rebabas. Las virutas y las rebabas pueden evitar que la herramienta funcione adecuadamente.
- Inspeccione y limpie el extremo de la herramienta de la barra taladradora. Las virutas y las rebabas pueden interferir con la inserción de la broca para atornillar o la espiga del adaptador.

Después de usar

- Limpie la máquina y engrase las superficies maquinadas. Si es necesario, resulta muy fácil desmontar las cámaras superior e inferior para limpiar más a fondo.
- Lubrique el área de soporte de la barra taladradora con compuesto para atornillar REED #98425.
- Si es necesario, limpie la cámara inferior con una manguera de agua para eliminar cualquier viruta. NO golpee con un martillo los bastidores para eliminar las virutas o los residuos: ¡trate con cuidado!
- Proteja las piezas roscadas montándolas con sus partes correspondientes.
- Periódicamente, inspeccione los sellos de la junta tórica de la barra taladro y reemplace si están desgastados.
- Con cuidado, coloque la barra de nuevo en la caja de herramientas para su almacenamiento.

Figura 1

Alinee la muesca con el tornillo de fijación: para evitar que la broca piloto se retuerza al perforar.

Broca piloto 1/4 pulg.

Llave hexagonal de 1/8 pulg. para apretar el tornillo de fijación en el cuerpo del portabrocas.

Separador de sierra de perforar 113 Junta tórica diámetro int. 0,56 pulg. x diámetro ext. 0,75 x 3/321 instalada entre sierra y portabrocas.

Sierra de perforar

Cuerpo del portabrocas

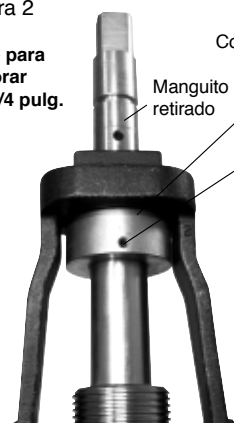
Conductor de arrastre

Tornillo de fijación de 1/4 pulg. para acoplar la broca piloto

Nota: no utilice broca piloto al perforar tubos de PVC.

Figura 2

Listo para perforar 1 ó 3/4 pulg.



Conjunto de cojinetes.

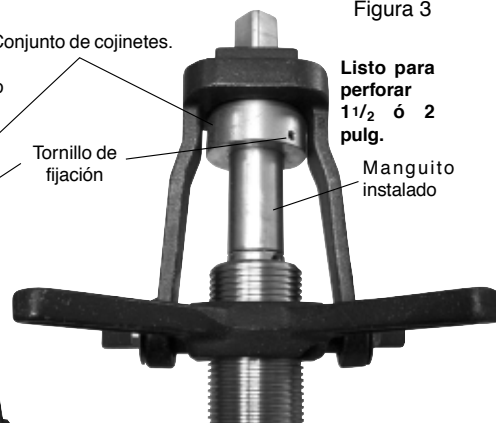
Manguito retirado

Tornillo de fijación

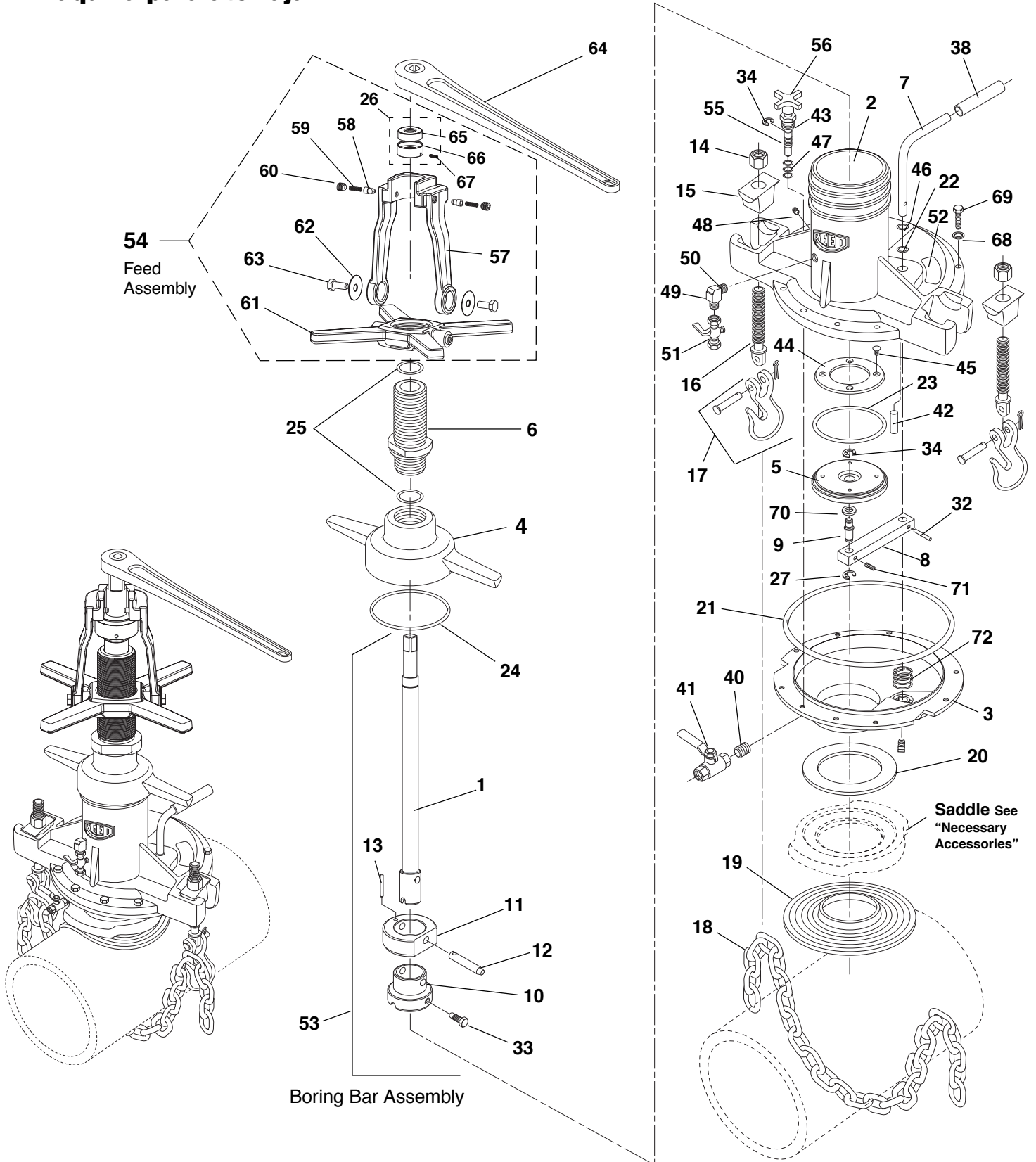
Figura 3

Listo para perforar 1 1/2 ó 2 pulg.

Manguito instalado



TM1100 Tapping Parts Illustration, Parts List, and Necessary Accessories:
TM1100 Ilustraciones de partes, lista de partes y accesorios necesarios de la máquina para aterrajear:



TM1100 Tapping Machine Parts List TM1100 Lista de partes de la máquina para aterrajear

Ref. No. Nº de ref.	Description Descripción	REED Item Code Código de elemento	Ref. No. Nº de ref.	Description Descripción	REED Item Code Código de elemento
	REED				
1	Boring Bar	99302	*37	1" Insert Tool	98424
2	Top Chamber	98403	38	Plastic Grip	40397
3	Bottom Chamber	98404	*39	5/8" Combination Wrench	40405
4	Top Chamber Cap	98405	40	Brass Nipple	97564
5	Valve Poppet	98420	41	Ball Valve	40396
6	Threaded Body	99300	42	Stop Pin	30130
7	Valve Lever	98406	43	Bushing	98429
8	Valve Poppet Bar	98407	44	Poppet Ring	98419
9	Mini-Valve	98409	45	Screw (4)	30199
10	Boring Bar Bearing	98410	46	O-Ring - Valve Lever	40426
11	Bearing Sleeve	98411	47	O-Ring - Needle (3)	40425
12	Knockout Pin	98412	48	Pipe Plug	40395
13	Roll Pin	93436	49	Straight Elbow	40427
14	Nut	98421	50	Close Nipple	40403
15	Swivel	98414	51	Ball Valve	40273
16	Chain Pull Rod	98415	52	Valve Sticker	50408
17	Chain Hook	40369	53	Boring Bar Assembly	99309**
18	Hi Test Chain	98417	54	Feed Assembly	99305
19	Saddle Gasket	40372	55	Needle	98428
20	Saddle Ring Gasket	40371	56	Knob	40210
21	Bottom Chamber O-Ring	40373	57	Yoke	98495
22	Valve Lever O-Ring	40374	58	Yoke Pin	98450
23	Valve Poppet O-Ring	40375	59	Spring	94304
24	Top Cap Large Quad Ring	40376	60	Set Screw	38495
25	Threaded Body O-Ring (2)	40377	61	Star Feed	98494
26	Bearing Assembly	99307	62	Washer	39305
27	E-Ring	30116	63	Hex Bolt	30118
*28	Carrying Case	40417	64	Ratchet Wrench	40383
*29	Operator's Manual	59300	65	Bearing	40414
*30	Tapping Compound	98425	66	Bearing Retainer	99306
*31	Wrench	02112	67	Set Screw	39306
32	Roll Pin	93435	68	Lock Washer (10)	30177
33	Tool Ret. Screw	98416	69	Hex Nut Cap Screw (10)	30197
34	E-Ring (2)	30009	70	Rubber Washer	40382
*35	Adapter Shank	98422	71	Set Screw	30087
*36	3/4" Insert Tool	98423	72	Comp Spring	40389

* Included but not shown

**99309 assembly includes: 99302, 98410, 98411, 98412, 93436, 98416.

* Se incluye pero no se muestra

**El conjunto 99309 incluye: 99302, 98410, 98411, 98412, 93436, 98416.

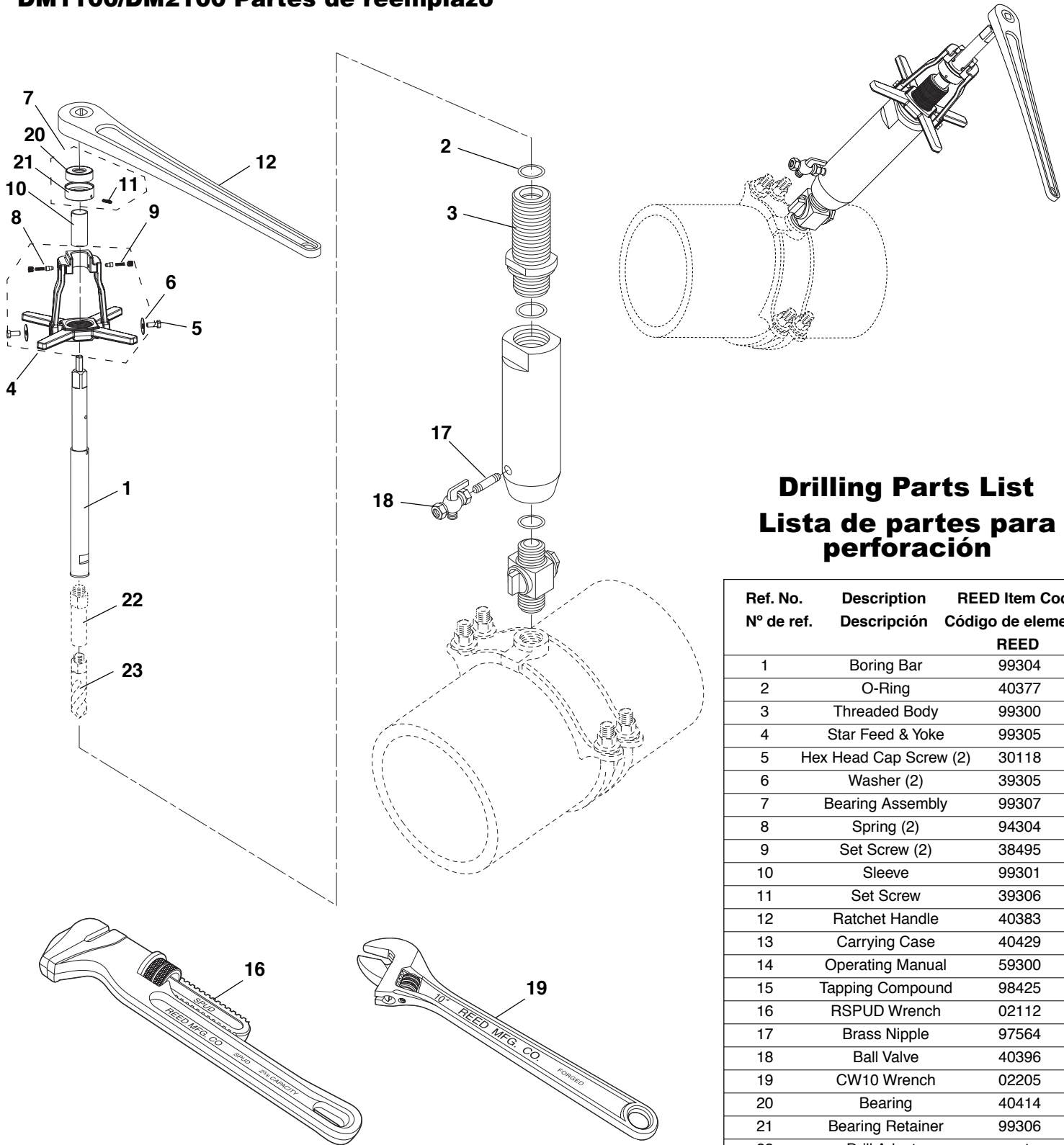
TM1100 Necessary Accessories TM1100 Accesorios necesarios:

P/N N/P	Name Nombre	Item Code Código de elemento	P/N N/P	Name Nombre	Item Code Código de elemento
1	Saddle 4"	20542	16	Saddle Gasket	40372
2	Saddle 6"	20539	17	Sealing Disc	40371
3	Saddle 8"	20540	18	Bearing Sleeve	98411
4	Saddle 10"	20541	19	Knockout Pin	98412
5	Saddle 12"	20538	20	13/16" Sq. Dr. Wrench	40383
6	Saddle 16"	20543	21	Power Drive Adapter	98426
7	Saddle 18"	20544	22	Drill Tap 3/4"	04390
8	Saddle 20"	20545	23	Drill Tap 1"	04391
9	Saddle 24"	20546	24	Drill Tap 3/4" — PVC	04396
10	Saddle 30-36"	20547	25	Drill Tap 1" — PVC	04397
11	Saddle 42"	20548	26	3/4" Corp Insertion Tool	98423
12	Saddle 48"	20549	27	1" Corp Insertion Tool	98424
13	Ext Chain 5' Lengths	98417	28	Adapter Shank	98422
14	Chain Clevis 5/16"	40394	29	Operator's Manual	59300
15	Tapping Compound	98425			

Note: Extension chain and clevis to be used to extend TM1100 beyond basic 16" diameter capacity. Add one chain and clevis for up to 32" capacity. Add two chains and clevis for capacity up to 48".

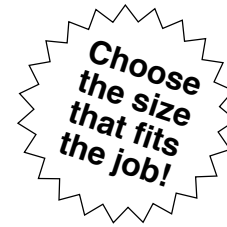
Nota: Cadena de extensión y horquilla para usarse para extender la TM1100 más allá de la capacidad de diámetro de 16 pulg. básica. Agregue una cadena y horquilla para una capacidad de hasta 32 pulg. Agregue dos cadenas y horquillas para una capacidad de hasta 48 pulg.

DM1100/DM2100 Replacement Parts
DM1100/DM2100 Partes de reemplazo



Drilling Parts List
Lista de partes para perforación

Ref. No. N° de ref.	Description Descripción	REED Item Code Código de elemento REED
1	Boring Bar	99304
2	O-Ring	40377
3	Threaded Body	99300
4	Star Feed & Yoke	99305
5	Hex Head Cap Screw (2)	30118
6	Washer (2)	39305
7	Bearing Assembly	99307
8	Spring (2)	94304
9	Set Screw (2)	38495
10	Sleeve	99301
11	Set Screw	39306
12	Ratchet Handle	40383
13	Carrying Case	40429
14	Operating Manual	59300
15	Tapping Compound	98425
16	RSPUD Wrench	02112
17	Brass Nipple	97564
18	Ball Valve	40396
19	CW10 Wrench	02205
20	Bearing	40414
21	Bearing Retainer	99306
22	Drill Adapter	see next page
23	Drill / Hole Saw	see next page



DM1100/DM2100/DMBASE Necessary Accessories
DM1100/DM2100DMBASE Accesorios necesarios

DESCRIPTION DESCRIPCIÓN	CATALOG NO. N° DE CATÁLOGO	ITEM CODE CÓDIGO DE ELEMENTO
Drill Adapters/ Adaptadores de broca		
** Drill Adapter 3/4"	DA75	98461
** Drill Adapter 1"	DA100	98462
*** Hole Saw Adapter	DMHSA	08413
Drill Adapter - PVC	DMAPVC	94150
Drills/Hole Saws/ Brocas/sierras de perforar		
11/16" Drill	D688	04380
7/8" Drill	D875	04381
15/16" Drill	D938	04382
1-7/16" Hole Saw	HS1438	04370
1-3/4" Hole Saw	HS1750	04371
1-7/8" Hole Saw	HS1875	04372
1/4" Pilot Drill	PD25	04373
11/16" Shell Cutter	PL688	04385
7/8" Shell Cutter	PL875	04386
1-7/16" Shell Cutter	PL1438	04387
1-3/4" Shell Cutter	PL1750	04392
Corp Stop Adapters/ Adaptadores para pieza de incorporación		
** 3/4" AWWA Corp Adapter	DMCA75	08423
** 1" AWWA Corp Adapter	DMCA100	08424
*** 1-1/2" AWWA Corp Adapter	DMCA150	08425
*** 2" AWWA Corp Adapter	DMCA200	08426
1-1/2" NPT Corp Adapter	DMCA150NPT	08428
2" NPT Corp Adapter	DMCA200NPT	08429
Miscellaneous/ Elementos varios		
3/4" NPT to AWWA Converter	DM75CONV	98472
1" NPT to AWWA Converter	DM100CONV	98472
Power Drive Adapter	TMPDA	08430

Options
For #22

Options
For #23

** Standard with DM1100 & DM2100 machines
*** Standard with DM2100 machines

** Estándar con las máquinas DM1100 y DM2100
*** Estándar con las máquinas DM2100



Reed Lifetime Warranty

Reed Hand Tools are for the professional trade and are warranted against all failure due to defects in workmanship and materials for the normal life of the tool.

FAILURES DUE TO MISUSE, ABUSE, OR NORMAL WEAR AND TEAR ARE NOT COVERED BY THIS WARRANTY.

Power units for Universal Pipe Cutters, Saw It[®], electric test pumps, and threading power drives are warranted for a period of one year from date of purchase.

NO PARTY IS AUTHORIZED TO EXTEND ANY OTHER WARRANTY. NO WARRANTY FOR MERCHANTABILITY OR FITNESS FOR A PARTICULAR PURPOSE SHALL APPLY.

No warranty claims will be allowed unless the product in question is received freight prepaid at the Reed factory. All warranty claims are limited to repair or replacement, at the option of the company, at no charge to the customer. **REED IS NOT LIABLE FOR ANY DAMAGE OF ANY SORT, INCLUDING INCIDENTAL AND CONSEQUENTIAL DAMAGES.** Some states do not allow the exclusion or limitation of incidental or consequential damages, so the above exclusion may not apply.

This warranty gives you specific legal rights, and you may also have other rights which vary from state to state.

Garantía de por vida de Reed

Las herramientas manuales de Reed son para el negocio profesional y están garantizadas contra cualquiera avería por defectos en manos de obra y materiales durante la vida normal de dichas herramientas.

LAS AVERÍAS DEBIDO AL MAL USO Y EL ABUSO, O LA ROTURA Y EL DESGASTE NORMALES, NO ESTÁN CUBIERTAS POR ESTA GARANTÍA.

Las unidades de alimentación para los cortatubos universales, Saw It[®], bombas eléctricas de prueba y las tomas de fuerza de roscado están garantizadas durante un período de un año a partir de la fecha de compra.

NADIE ESTÁ AUTORIZADO PARA OTORGAR NINGUNA OTRA GARANTÍA. NO SE APLICARÁ NINGUNA GARANTÍA DE COMERCIALIZACIÓN O IDONEIDAD PARA UN FIN PARTICULAR.

No se permitirá ningún reclamo de garantía excepto que el producto en cuestión se reciba con fletes prepagados en la fábrica de Reed. Todos los reclamos de garantía están limitados a reparación o sustitución, a elección de la compañía, y sin cargo para el cliente. **REED NO ES RESPONSABLE DE DAÑOS DE NINGÚN TIPO, INCLUIDOS LOS CIRCUNSTANCIALES E INDIRECTOS.** En algunos estados no se permite la exclusión o la limitación de los daños circunstanciales o indirectos, por lo que la exclusión anterior puede no aplicarse.

Esta garantía le otorga derechos legales específicos, y usted puede contar también con otros derechos que varían de un estado a otro.



PIPE TOOLS & VISES
SINCE 1896

REED MANUFACTURING COMPANY

1425 WEST 8TH STREET • ERIE, PA 16502 • USA

TELEPHONE: 814-452-3691 FAX: 814-455-1697

www.reedmfgco.com