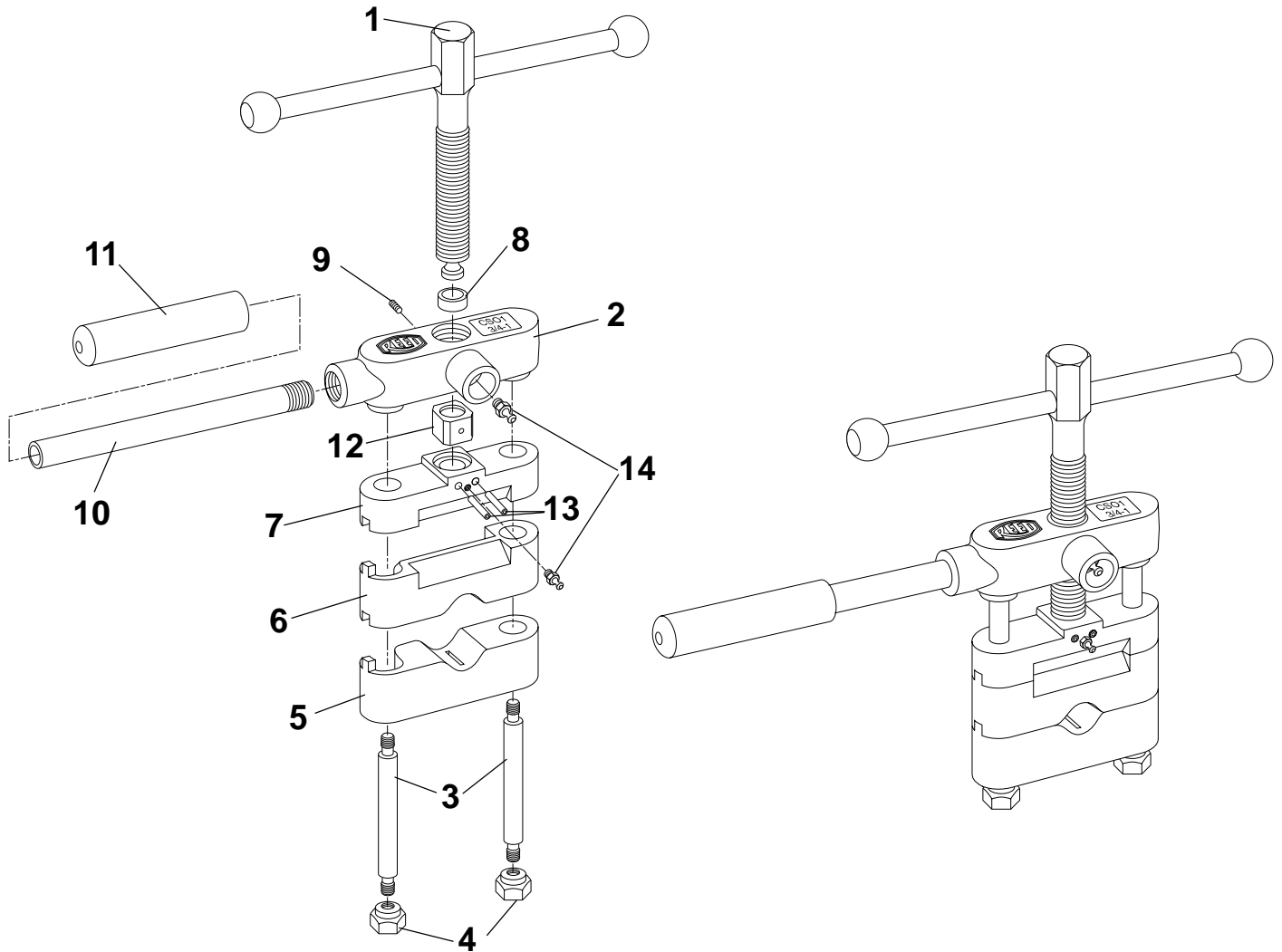




Copper Shut-Off Tools

Replacement Parts



Parts List

| Ref. No. | Description | #Used | CSO1 #08200 Item Code | CSO2 #08202 Item Code |
|----------|---------------------|-------|-----------------------|-----------------------|
| 1 | Feed Screw Assembly | 1 | 98055 | 98073 |
| 2 | Head | 1 | 98038 | 98064 |
| 3 | Tie Rod | 2 | 98043 | 98068 |
| 4 | Tie Rod Nut | 2 | 98058 | 98074 |
| 5 | Bottom Bar Finished | 1 | 98040* | 98067 |
| 6 | Bottom Crimp Bar | 1 | 98041* | 98066 |
| 7 | Top Crimp Bar | 1 | 98039* | 98065 |
| 8 | Thrust Cap | 1 | 98057 | 98057 |
| 9 | Set Screw | 1 | NA | 30019 |
| 10 | Handle | 1 | 98045 | 98045 |
| 11 | Handle Grip | 1 | 40070 | 40070 |
| 12 | Threaded Insert | 1 | NA | 98072 |
| 13 | Retaining Pin | 2 | 93435 | 93437 |
| 14 | Grease Fitting | 2 | 40338 | 40338 |

* If replacing old style, non-interlocking bar(s), 98040, 98041, and 98039 need to be purchased as a set.

Reed Manufacturing Co.
1425 West 8th St.
Erie, PA 16502 USA



Phone: 800-666-3691 or 814-452-3691
Fax: 800-456-1697 or 814-455-1697

RP-201-4