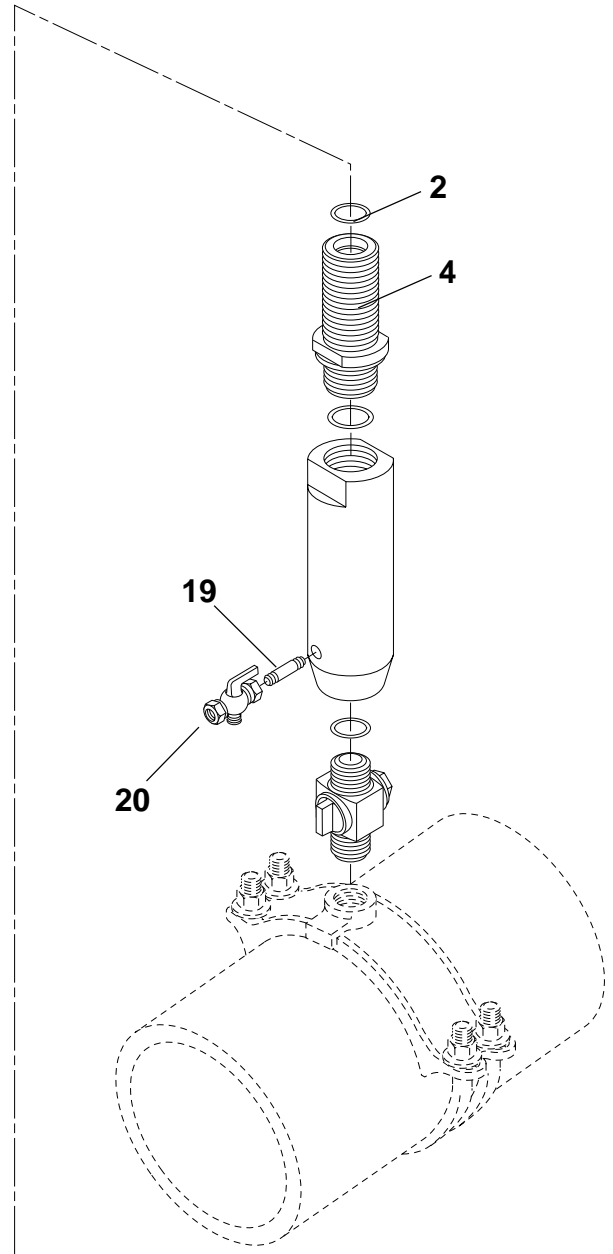
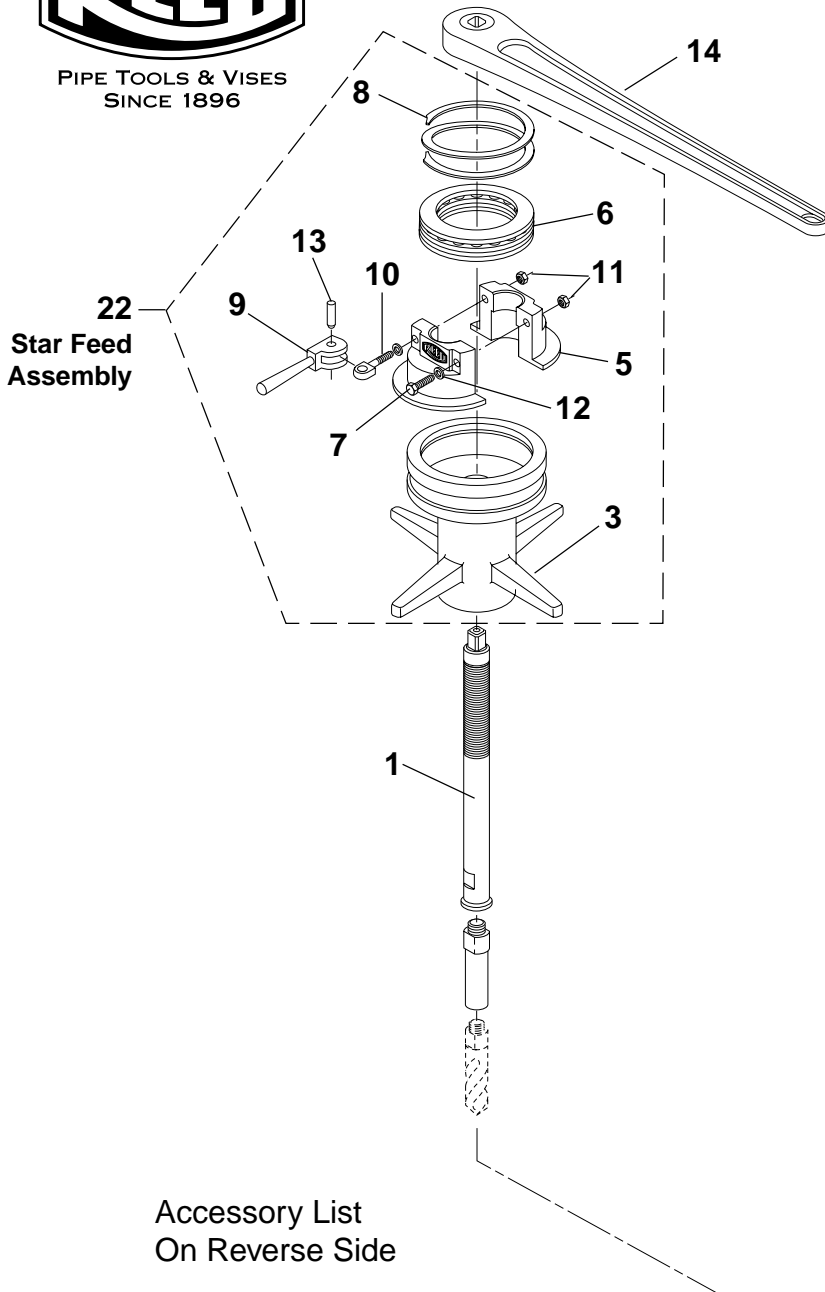




PIPE TOOLS & VISES  
SINCE 1896

# Drilling Machines

## Replacement Parts



Accessory List  
On Reverse Side

### Parts List

Ref. No.	Description	REED Item Code	Cat No.
1	Boring Bar	98460	DMBB
2	O-Ring	40377	TMOTB
3	Feed Housing	98408	TMFH
4	Threaded Body	98402	TMTB
5	Clamp Collar	98413	TMCR
6	Thrust Bearing	40379	TMBRN9
7	Hex Head Cap Screw	30190	TMCST
8	Retaining Ring	40380	TMRR
9	Double Cam	40386	TMFCL-12-CH
10	Swing Bolt	40387	TMFCL-0-SB
11	Lock Nut	30179	TMTNUT
12	Washer	30180	TMTSW

Ref. No.	Description	REED Item Code	Cat No.
13	Spiral Pin	30161	TMFHSP
14	Ratchet Wrench	40383	RWR1316
15	Carrying Case*	40429	DMTOOLBOX
16	Operating Manual*	50389	XIDM1000
17	Tapping Compound*	98425	TMTC
18	Wrench*	02217	CWB18
19	Brass Nipple	97564	UPFNIP
20	Ball Valve	40396	TMBV
21	Wrench*	02214	CWB10
22**	Star Feed Assembly	98432	7M/DMFHA

\* Included but not shown

\*\*98432 is an assembly containing: 98408, 30161, 30179, 30180, 30190, 40379, 40380, 40386, 40387 and 98413

Reed Manufacturing Company  
1425 West 8th Street  
Erie, PA 16502 USA



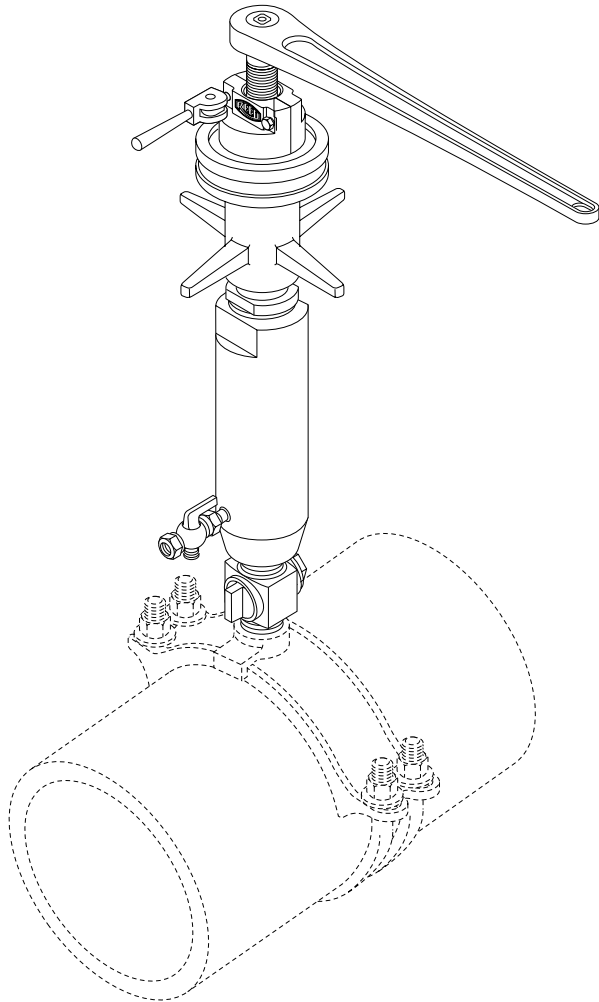
Phone: 800-666-3691 or 814-452-3691  
Fax: 800-456-1697 or 814-455-1697  
www.reedmfgco.com



PIPE TOOLS & VISES  
SINCE 1896

# Drilling Machines

## Replacement Parts



### DM1000/DM2000 Necessary Accessories

Description	Item Code	Cat. No.
** Drill Adapter 3/4"	98461	DA75
** Drill Adapter 1"	98462	DA100
*** Hole Saw Adapter	08413	DMHSA
Drill Adapter - PVC	94150	DMA PVC
<b>Drill/Hole Saws</b>		
11/16" Drill	04380	D688
7/8" Drill	04381	D875
15/16" Drill	04382	D938
1-7/16" Hole Saw	04370	HS1438
1-3/4" Hole Saw	04371	HS1750
1-7/8" Hole Saw	04372	HS1875
1/4" Pilot Drill	04373	PD25
11/16" Shell Cutter	04385	PL688
7/8" Shell Cutter	04386	PL875
1-7/16" Shell Cutter	04387	PL1438
1-3/4" Shell Cutter	04392	PL1750
1-7/16" Heavy Duty Hole Saw	04354	HDHS1438
1-3/4" Heavy Duty Hole Saw	04355	HDHS1750
1-7/8" Heavy Duty Hole Saw	04356	HDHS1875
Pilot Drill	04561	HSPD
<b>Corp Stop Adapters</b>		
** 3/4" AWWA Corp Adapter	08423	DMCA75
** 1" AWWA Corp Adapter	08424	DMCA100
*** 1-1/2" AWWA Corp Adapter	08425	DMCA150
*** 2" AWWA Corp Adapter	08426	DCMA75
**** 1-1/2" NPT Corp Adapter	08428	DMCA150NPT
**** 2" NPT Corp Adapter	08429	DMCA200NPT
***** 1-1/2" NPT Corp Adapter	08431	DMCA110150
***** 2" NPT Corp Adapter	08432	DMCA110200
1" IPS Corp Adapter	98499	DMCA100IPS
<b>Miscellaneous</b>		
3/4" NPT to AWWA Converter	98472	DM75CONV
1" NPT to AWWA Converter	98473	DM100CONV
* Ratchet Handle 13/16" Sq.	40383	RWR1316
Power Drive Adapter	08430	TMPDA
Extended Boring Bar	98490	EXT BB

\* Standard with all machines

\*\* Standard with DM1000 & DM2000 machines

\*\*\* Standard with DM2000 machines

\*\*\*\* Standard with DM2000NPT machine

\*\*\*\*\* Standard with DM2000110 machine