

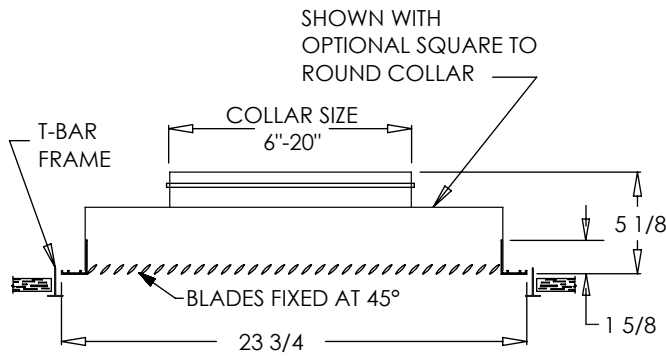
900T Series T-Bar Fixed Blade

Standard:

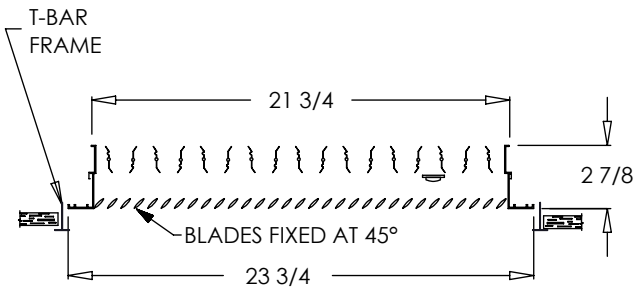
- Full size extruded aluminum .055 T6 frame
- For 22" x 22" square duct
- Square collar
- Blades fixed at 45°

Optional:

- Opposed Blade Damper (900T O)
- Satin anodized finish
- Square to Round No Labor Collar (2 x 2 only)
- 1 x 2 panel (10" x 22" duct)
- 2 x 4 panel (22" x 46" duct)



900 T



900 TO

PROJECT	SUBMITTAL REVIEW
LOCATION	
ENGINEER	
ARCHITECT	
CONTRACTOR	